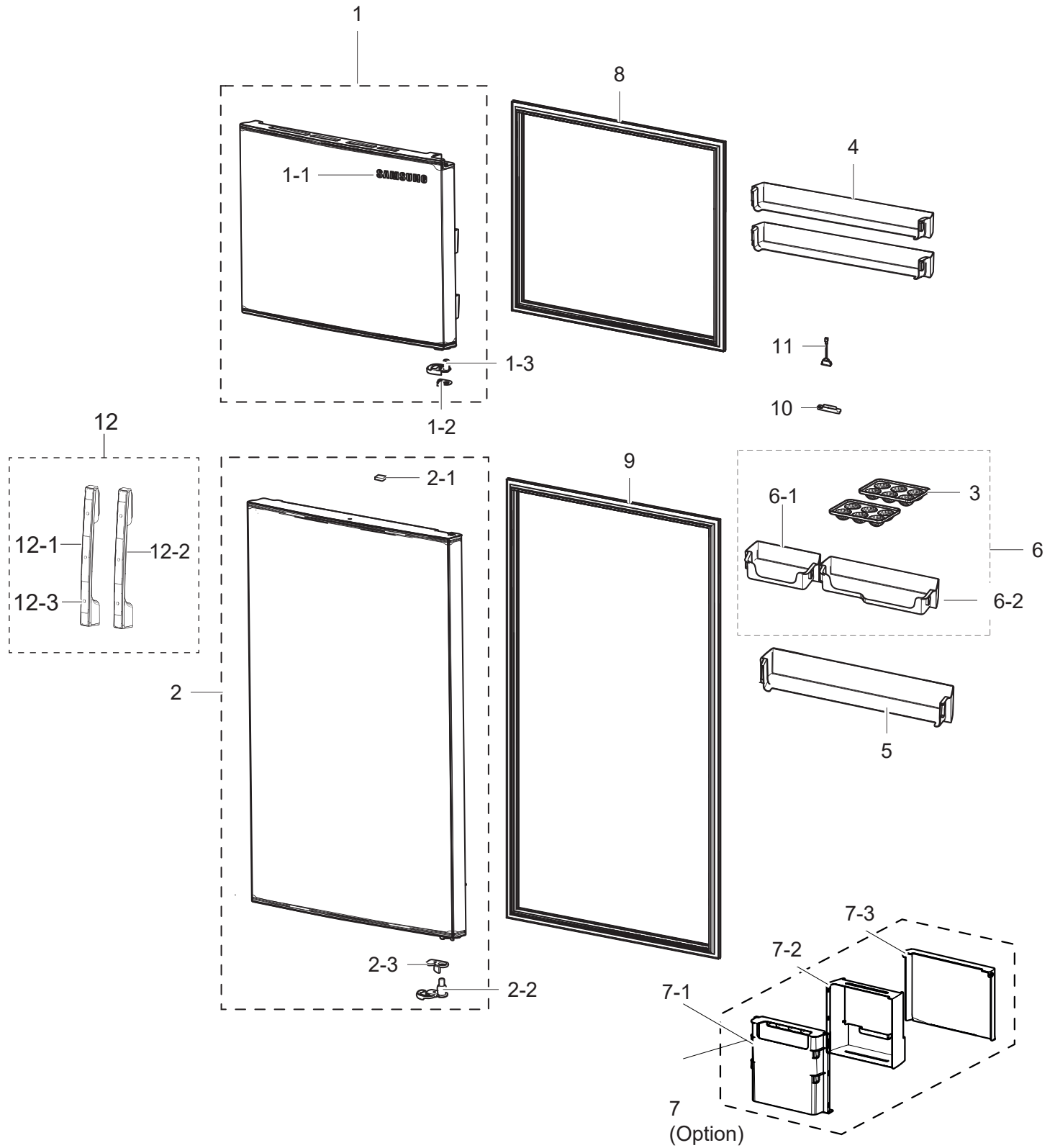


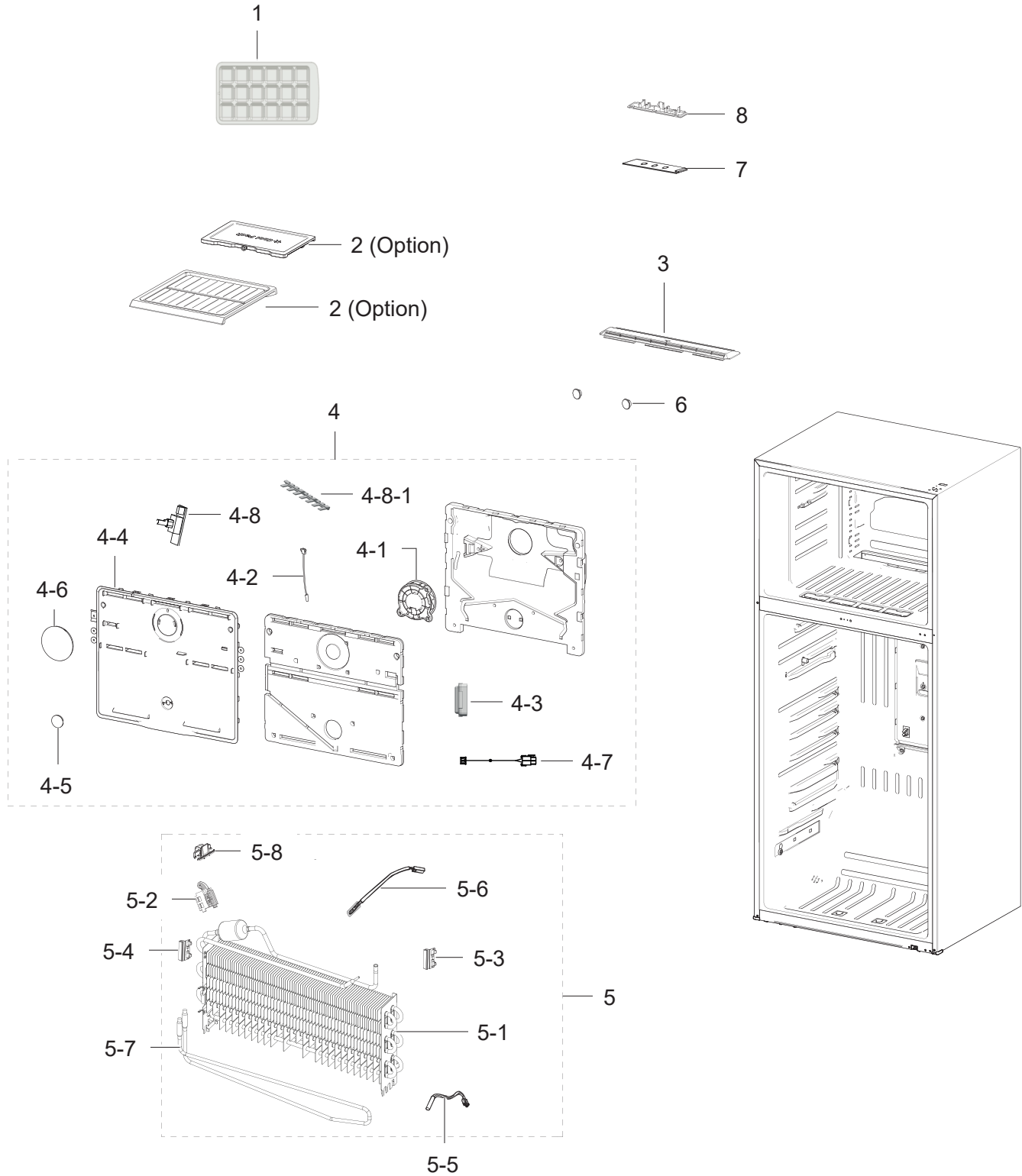
Door compartment



PART LIST OF DOOR : RT53K6100S8/ZA

No.	Code No.	Lvl.	Loc.	Description	Specification	Qty	SA / SNA
1	DA91-04144Y	2	M0063	ASSY DOOR FOAM-FRE	RT6000,RT53,S8,BAR,NO	1	SA
1-1	DA64-04020A	4	M0196	MASCOT	All,Ni,-,-,-,-,-	1	SA
1-2	DA71-40137A	6	A0597	STOPPER-DOOR	STS304,T2,-,-	1	SA
1-3	DA63-06734B	6	-	GROMMET HINGE-FRE LOW	RT-H530G,PK,BLACK,	1	SA
1-4	DA61-11288A	3	-	CASE CONTROL	RT6000K,PP,-,NATURAL,-,BC03	1	SA
2	DA91-04140Y	2	Z1100	ASSY DOOR FOAM-REF	RT6000,RT53,S8,BAR	1	SA
2-1	DA61-03769B	5	A0534	MAGNET	SVETA,FERRITE,-,-,-,-,-,1600Gauss	1	SA
2-2	DA61-00589B	5	Z2014	STOPPER DOOR-REF LOW	RT6000K,PK,M33R3A00	1	SA
2-3	DA61-09633A	5	-	STOPPER-REF	3050-2,PO-SPHC,T4,-,-	1	SA
3	DA63-11520A	3	A0656	TRAY EGG	3050,GPPS,HB,TP BLUE,165N,HI-IM	2	SA
4	DA63-07697A	2	A0711	GUARD-FRE	RT53/RT50,GPPS,TP BLUE	2	SA
5	DA63-07701A	2	A0713	GUARD-JUMBO	RT53/RT50,GPPS,TP BLUE	1	SA
6	DA97-19012D	2	-	ASSY GUARD VARIETY	RT35/38,GUARD VARIETY	1	SA
6-1	DA63-07388A	2	A0211	GUARD-VARIETY	3050,GPPS,T3,TP BLUE,-,HB,	2	SA
6-2	DA63-07699A	2	-	GUARD-REF	RT53/RT50,GPPS,TP BLUE	2	SA
8	DA97-16687H	2	-	ASSY GASKET-FRE	RT6000K_RT50/53,DARK GRA	1	SA
9	DA97-19744A	2	-	ASSY GASKET-REF	RT6000K,RT53,DARK GRAY,W	1	SA
10	DA67-02385M	5	-	CAP DOOR SWITCH	3050-PJT,PP,T1.5,HB,BJ75	1	SA
11	DA34-00043J	5	-	SWITCH REED	UL1007 AWG 22,50mm	1	SA
12	DA97-14425M	2	A0553	ASSY HANDLE	7/6000K,MATT DOI METAL,S9,CR	2	SA
12-1	DA63-07709A	4	-	COVER HANDLE	RT53/50/46/43,ABS,HB,NATURA	2	SNA
12-2	DA61-09575A	4	-	BASE HANDLE	RT53/50/46/43,ABS,-,INOX GRA	2	SNA
12-3	6002-001122	2	G0412	SCREW-TAPPING	FH,+,1,M4,L14,ZPC(WHT),SWR	4	SNA

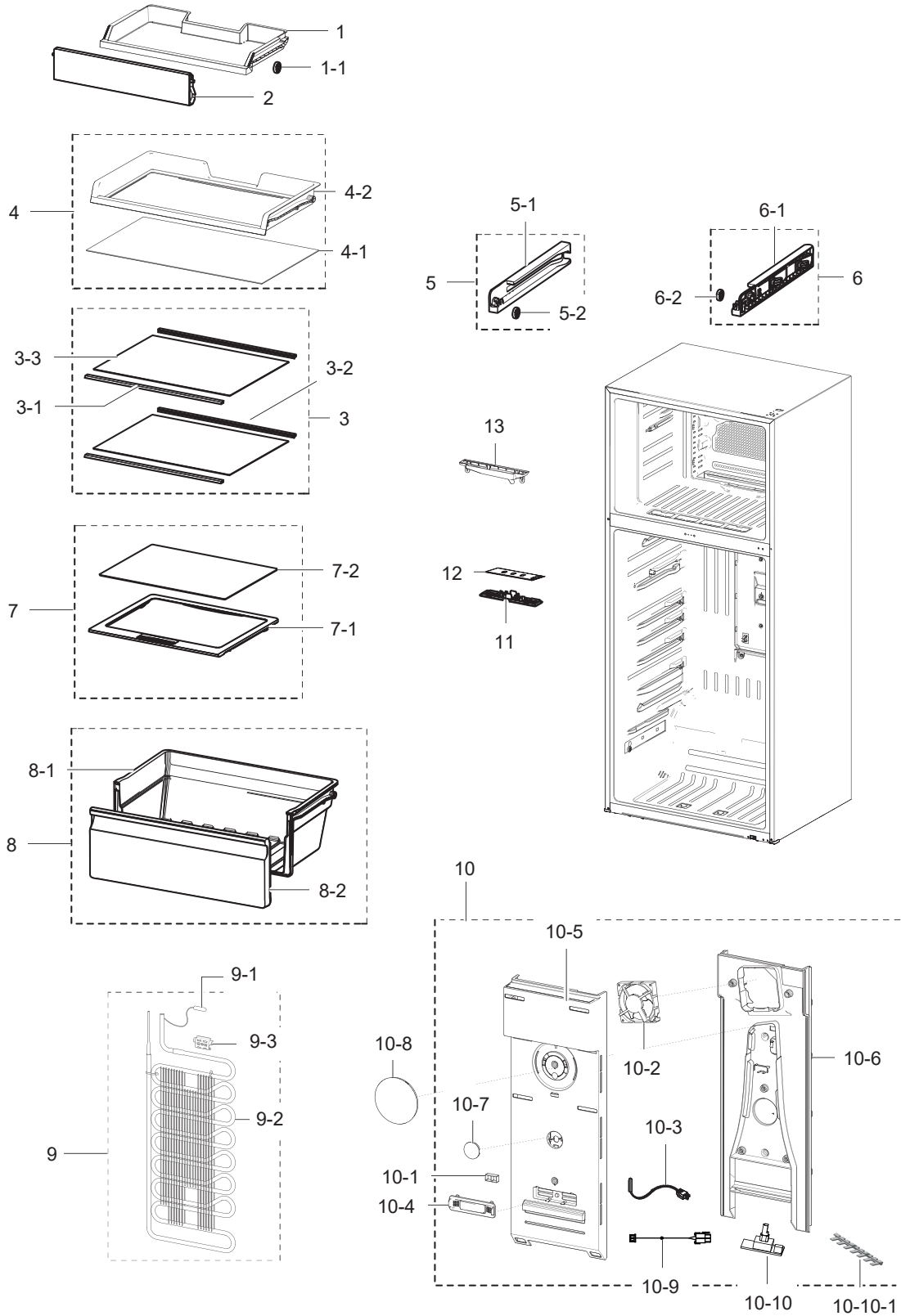
Freezing compartment



PART LIST OF FREEZER : RT53K6100S8/ZA

No.	Code No.	Lvl.	Loc.	Description	Specification	Qty	SA/SNA
1	DA63-01883B	3	A0120	TRAY ICE	RT5/6000K,PP,-,-,NATURAL,-,BC03	1	SA
2	DA67-04175A	2	-	SHELF-FRE	RT6000K,GPPS,TP BLUE,-,147F	1	SA
3	DA63-07355A	2	A0756	COVER AIR-FRE	RT380/350,PP,T1.5,-,COOL W	1	SA
4	DA97-16255N	2	M0303	ASSY COVER EVAP-FRE	RT6000K 43/46/50/53,	1	SA
4-1	DA31-00338A	3	-	MOTOR BLDC FAN	U92C12MS1B3-52K,3115.5-35	1	SA
4-2	DA32-00070A	3	A1018	SENSOR TEMP	SC41198-021A,900mm,13.2kohm	1	SA
4-3	DA63-07761A	3	-	GROMMET FIXER	RF-H920G,RUBBER,BLACK,-,-	1	SNA
4-4	DA63-08318J	3	-	COVER EVAP-FRE	RT6000K 43/46/50/53,PP,-,	1	SA
4-5	DA64-04412A	3	A0760	KNOB-DIAL	3050,HIPS,-,COOL WHITE,-,S834S	1	SA
4-6	DA63-08326B	3	-	COVER-TWIN COOLING	GPPS,-,HB,GENTLE BLUE	1	SNA
4-7	DA96-00391L	3	-	ASSY WIRE HARNESS-ROTARY	RT6000K,ROTARY,	1	SA
4-8	DA41-00471B	3	A0746	ASSY MODULE	SUB PBA,MAX3,ROTARY S/W,Stan	1	SA
4-8-1	DA61-11032A	3	-	FIXER	RT5000K,PA66,WHITE,KN3322V0,7P Ret	1	SA
5	DA96-01038Q	2	A0163	ASSY EVAP-FRE	RT6/7000K,Fin Tube,230V,15	1	SA
5-1	DA59-00588B	3	-	EVAPORATOR-FRE	Fin Tube,RT6000K_RT50,53,	1	SNA
5-2	DA61-00603A	3	T0066	FIXER SENSOR	All model,PP,T2,NATURAL,-,M	1	SA
5-3	DA61-12385A	3	-	PLATE HEATER	BRF8000M,Al,T0.7,-,-,-,A1	1	SA
5-4	DA61-07411A	3	A0744	FIXER-FUSE	NW2,PP,NATURAL,BJ750	1	SA
5-5	DA32-00066B	3	A1018	SENSOR TEMP	chip PBA CAP, 502AT or DKST1	1	SA
5-6	DA47-00301F	3	A1008	THERMO FUSE-ASSY	AC250V,10A,109~110C,-C,	1	SA
5-7	DA47-00507B	3	-	HEATER METAL SHEATH	AC230V,3050 TMF, 352	1	SA
5-8	DA61-07410A	3	G0205	FIXER-HEATER FRE	NW2,PP,-,NATURAL,-,BJ75	2	SA
6	DA67-30266K	2	A0270	CAP SCREW	A-TOP,PP,T1.5,HB,BJ750,COOL WH	3	SA
7	DA41-00519R	2	G0090	ASSY LAMP LED	3ea,CEM-1,65*10*1.6T,WHITE	2	SA
8	DA63-07368A	2	A0280	COVER LAMP	3050,SBC,T2,HB,NATURAL,KR01	2	SA

Fridge compartment



PART LIST OF FRIDGE : RT53K6100S8/ZA

No.	Code No.	Lvl.	Loc.	Description	Specification	Qty	SA /SNA
1	DA63-08328A	2	-	TRAY CHILLED ROOM	RT53,GPPS,T2.5,HB,TP B	1	SA
1-1	DA66-00885A	2	A0919	ROLLER-VEG	PP+TD20%,-,NATURAL,-,-,FC2210	2	SA
2	DA63-07691B	2	-	COVER TRAY-CHILLED	RT53/50,GPPS,T2.5,HB,	1	SA
3	DA97-16274E	2	-	ASSY SHELF GLASS-REF	RT6000K,RT53/50	2	SA
3-1	DA64-04280D	3	-	TRIM SHELF-REF FRONT	RT 50/53,ABS,GP-35,	2	SNA
3-2	DA64-04634K	3	-	TRIM SHELF-REF REAR	RT50/53,HIPS,XQ83180	2	SNA
3-3	DA64-04990A	3	-	GLASS-SHELF REF	RT6000 53/50,GLASS,T4,W6	2	SNA
4	DA97-16279A	2	-	ASSY SHELF SLIDE-REF	RT6000 53/50	1	SA
4-1	DA64-04989A	3	-	GLASS-SHELF REF SLIDE	RT6000 53/50,GLASS	1	SNA
4-2	DA67-04174A	3	-	SHELF SLIDE	RT53,HIPS,COOL WHITE,-,XQ831	1	SNA
5	DA97-14368B	3	-	ASSY RAIL-LEFT	RT6000K,NATURAL	2	SNA
5-1	DA61-09581A	4	-	GUIDE RAIL-L	RT H530/500/460/430G,HIPS,N	2	SNA
5-2	DA66-01564A	4	-	ROLLER-FRE	PP+GLF15%,-,NATURAL,-,-,PP231	2	SNA
6	DA97-14369B	3	-	ASSY RAIL-RIGHT	RT6000K,NATURAL	2	SNA
6-1	DA61-09582A	4	-	GUIDE RAIL-R	RT H530/500/460/430G,HIPS,N	2	SNA
6-2	DA66-01564A	4	-	ROLLER-FRE	PP+GLF15%,-,NATURAL,-,-,PP231	2	SNA
7	DA97-14341C	2	A0181	ASSY COVER VEG	RT6000K,RT53/50	1	SA
7-1	DA63-07700A	3	A0210	COVER VEG	RT53/50,HIPS,-,-,COOL WHITE,-,	1	SNA
7-2	DA67-03645Y	3	-	GLASS-SHELF REF LOW	660.0x395.0mm,T3.2,G	1	SNA
8	DA97-14336A	2	M0300	ASSY CASE VEG-LOW	RT53/50	1	SA
8-1	DA61-09579A	3	-	CASE VEG-LOW	RT53/50,PP,COOL WHITE,BJ750	1	SNA
8-2	DA63-07698A	3	-	COVER VEG-FRONT LOW	RT53/50,GPPS,HB,TP B	1	SNA
9	DA96-01229A	2	A0184	ASSY EVAP-REF	RT6000K,BARE TUBE,AL	1	SA
9-1	DA32-00070C	3	A1018	SENSOR TEMP	SC41200-021A,L250,13.2kohm,2	1	SA
9-2	DA59-00605A	3	-	EVAPORATOR-REF	Fin Tube,RT6000K,1,AL,7,B	1	SNA
9-3	DA61-03683A	3	-	FIXER-SENSER	AW-PJT,PP,NATURAL,FH44N,V-0	1	SA
10	DA97-16256X	2	Z1177	ASSY COVER EVAP-REF	RT6000K,RT43/46/50/5	1	SA
10-1	DA02-00216B	3	-	CATALYST-DEODORIZER	T10,W15,L30,3050 TMF	1	SA
10-2	DA31-00338A	3	-	MOTOR BLDC FAN	U92C12MS1B3-52K,3115.5-35	1	SA
10-3	DA32-00070B	3	A1018	SENSOR TEMP	L500,13.2kohm,2%,0C,7phi	1	SA
10-4	DA63-07423A	3	-	COVER-DEODORIZER	3050,PP,COOL WHITE,49MK	1	SA
10-5	DA63-08319F	3	-	COVER EVAP-REF A	RT6000K,PP,HB,COOL WHIT	1	SNA
10-6	DA63-08324B	3	-	COVER EVAP-REF B	RT43/46/50/53,PP,-,HB,B	1	SNA
10-7	DA64-04412A	3	A0760	KNOB-DIAL	3050,HIPS,-,COOL WHITE,-,S834S	1	SA
10-8	DA63-08326B	3	-	COVER-TWIN COOLING	GPPS,-,HB,GENTLE BLUE	1	SNA
10-9	DA96-00391K	3	-	ASSY WIRE HARNESS-ROTARY	RT6000K,ROTARY,	1	SA
10-10	DA41-00471D	3	A0746	ASSY MODULE	SUB PBA,RT5000K,ROTARY S/W,	1	SA
10-10-1	DA61-11032A	3	-	FIXER	RT5000K,PA66,WHITE,KN3322V0,7P Ret	1	SA
11	DA63-07368A	2	A0280	COVER LAMP	3050,SBC,T2,HB,NATURAL,KR01	2	SA
12	DA41-00519R	2	G0090	ASSY LAMP LED	3ea,CEM-1,65*10*1.6T,WHITE	2	SA
13	DA61-10876C	2	-	PLATE DRAIN-REF	RT7000K,HIPS,T1.5,NATURA	1	SA

Cabinet compartment

