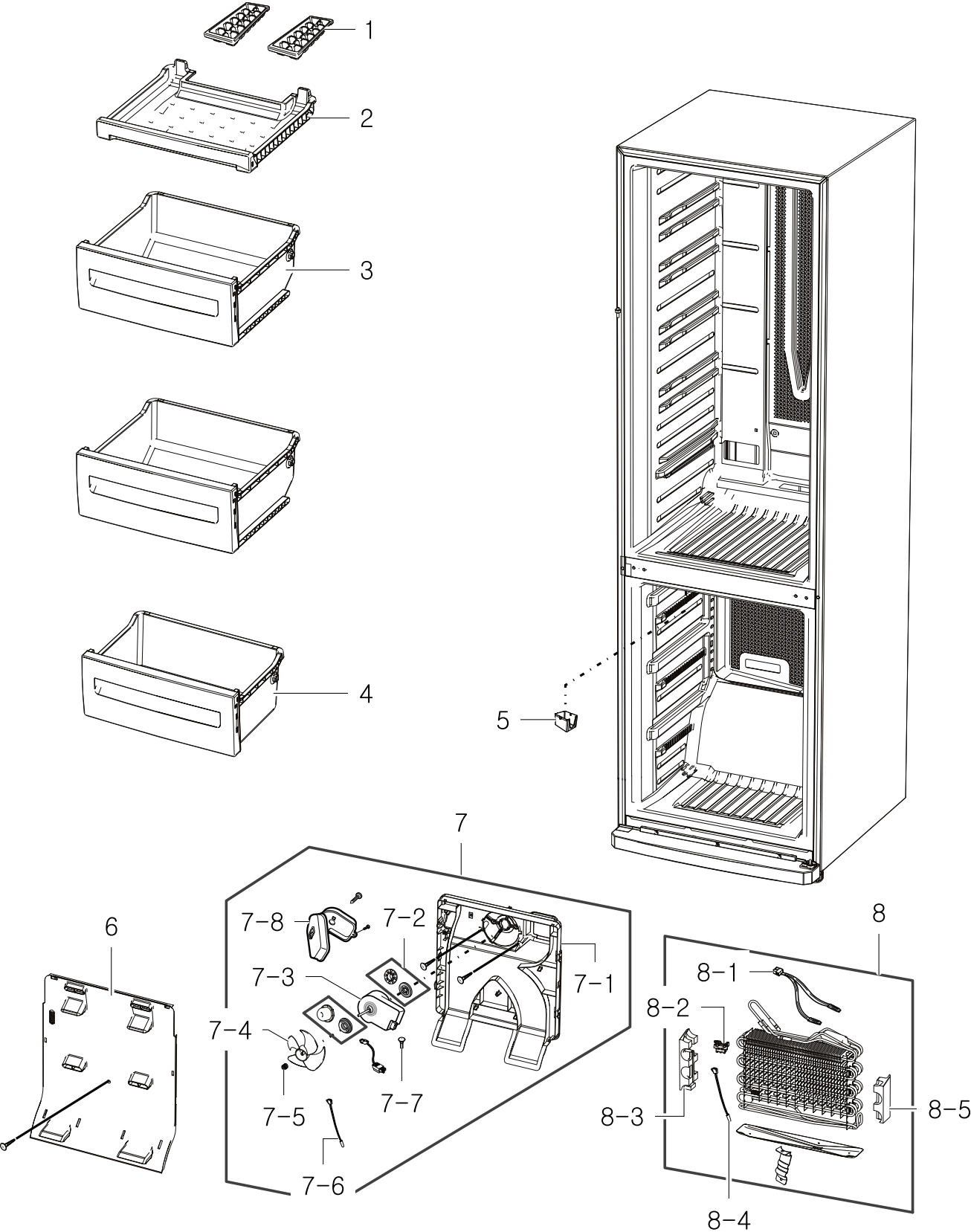


# 1. Freezer

## Exploded View

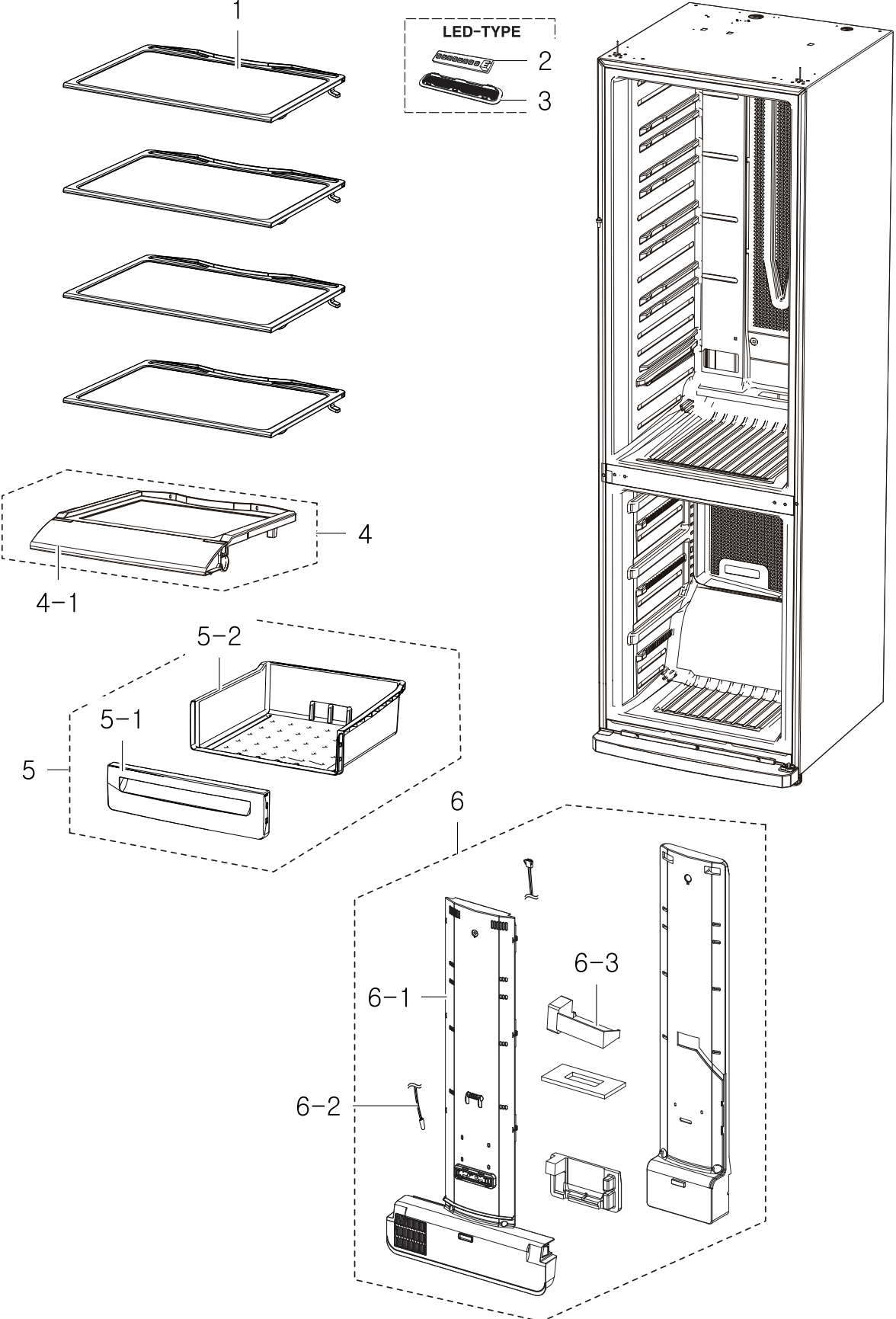


**Parts List**

No.	Parent	Lvl.	Loc.	Material Code	Description & Specification	SNA	Qty.
1	DA90-03408B	2	RM088	DA67-40146B	TRAY-ICE; SR-1500,NTR,PE,-,-,-,-,-,-,-	SA	2
2	DA90-03408B	2	RI242	DA97-04099B	ASSY TRAY-FRE UPP; CORE-PJT,-,-,-,SC-0274	SA	1
3	DA90-03408B	2	RG158	DA97-04127A	ASSY TRAY-FRE MID; CORE-PJT,-,-,-,SC-0274	SA	2
4	DA90-03408B	2	RI057	DA97-04126A	ASSY TRAY-FRE LOW; CORE-PJT,-,-,-,SC-0274	SA	1
5	DA90-03405B	2	RI222	DA63-02902B	COVER-FIXER HOUSING V; NEXT-PJT,GALVA,T0.	SA	1
6	DA90-03405B	2	RF006	DA97-04020C	ASSY COVER-EVAP FRONT; CORE-PJT,SAEL NTR	SA	1
7	DA90-03405B	2	RF524	DA97-04244L	ASSY COVER-EVAP REAR(AC); CORE,220V~240V	SA	1
7-1	DA97-04244L	3	RF319	DA63-03076B	COVER EVAP-REAR; CORE-PJT,PPSCRAP,-,W421.	SA	1
7-2	DA97-04244L	3	RY355	DA63-00771A	GROMMET-FAN MOTOR; OMEGA,NBR,-,-,-,-,-,BL	SA	1
7-3	DA97-04244L	3	RH808	DA31-00103H	MOTOR FAN-AC; IS-27210SNC5B,CORE,66 15%	SA	1
7-4	DA97-04244L	3	RG065	DA31-00148A	FAN-AX112W5CCI; -,LMF,ABS,-,HF0660I	SA	1
7-5	DA97-04244L	3	RR053	DA61-20128A	SPRING ETC-FAN; STS304,PI7.8,ID6.8,OD8.8,	SA	1
7-6	DA97-04244L	3	RF464	DA32-00006G	SENSOR TEMP-F DEF BBC; PX-41C,BBC,-,5V,-,	SA	1
7-7	DA97-04244L	3	RR066	DA63-40167A	GROMMET-COVER CHIL; SILICON,L16,WHITE	SA	1
7-8	DA97-04244L	3	RK171	DA63-01283C	COVER-MOTOR; AD,PP,-,-,-,-,NTR,AC,FH21	SA	1
8	DA90-03400B	2	RF011	DA96-00280K	ASSY EVAP-FRE; SVETA,PIN,220~240V	SA	1
8-1	DA96-00280K	3	RR244	DA47-10148X	THERMO FUSE-ASSY; SVETA,*,250,10,77-4,ASS	SA	1
8-2	DA96-00280K	3	RG124	DA61-02901A	FIXER-SENSOR EVAP; CORE-PJT,PP,-,NTR,-	SA	1
8-3	DA96-00280K	3	RF492	DA60-00153A	SPACER-EVAP L; CORE-PJT,FOAM PS,-,-,-,-,-	SA	1
8-4	DA96-00280K	3	RG108	DA32-00006S	SENSOR TEMP-R-DEF; PX-41C, 502AT,AW-PJT,-	SA	1
8-5	DA96-00280K	3	RF124	DA60-00154A	SPACER-EVAP R; CORE-PJT,FOAM PS,-,-,-,-,-	SA	1

# 2. Fridge

## Exploded View

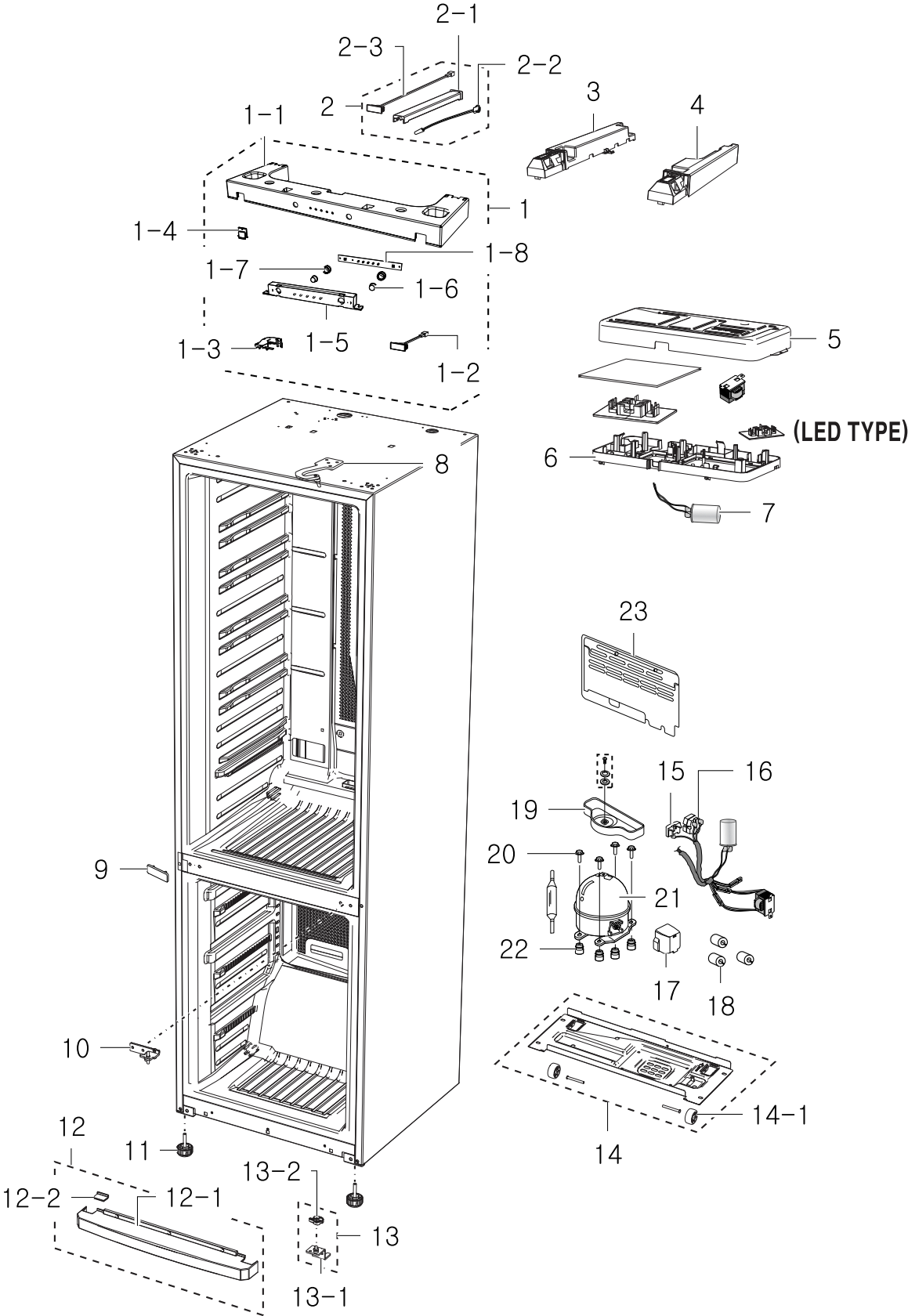


**Parts List**

No.	Parent	Lvl.	Loc.	Material Code	Description & Specification	SNA	Qty.
1	DA90-03407E	2	RI650	DA67-01446B	SHELF REF; CORE(NORMAL),PP+GLASS,-,W365.4	SA	4
2	DA90-03404P	2	RK387	DA41-00519B	PBA-LED LAMP; GUGGENHEIM-PJT,F-ROOM,CEM-1	SA	1
3	DA90-03404P	2	RI370	DA63-04119B	COVER LAMP-LED FRONT; CORE,PC,T2,W145,L36	SA	1
4	DA90-03407E	2	RI325	DA97-04151D	ASSY SHELF-VEG; CORE(44,41SEMI),W482.5	SA	1
4-1	DA97-04151D	3	RI326	DA63-03052A	COVER-CHILLED UPP B; CORE 65/67,HIPS,-,-,	SA	1
5	DA90-03407E	2	RI532	DA97-04149E	ASSY CASE-CHILLED ROOM; CORE,-,-,-,WRAP	SA	1
5-1	DA97-04149E	3	RI241	DA63-03044B	COVER-TRAY CHILLED; CORE,GPPS,-,-,-,-,N	SA	1
5-2	DA97-04149E	3	RI498	DA63-04710A	TRAY-CHILLED ROOM; CORE,PP,-,-,-,-,COOL W	SA	1
6	DA90-06343A	2	RI019	DA97-08260A	ASSY COVER MULTI REF; SVETA, RL52VS,LED,	SA	1
6-1	DA97-08260A	3	RI107	DA63-05278A	COVER-MULTI REF; SVETA, RL52,PP,SNOW WHIT	SA	1
6-2	DA97-08260A	3	RR375	DA32-10105R	SENSOR TEMP; 502AT,ET-PJT,-50~50,5V,1000	SA	1
6-3	DA97-08260A	3	RK368	DA31-00043F	MOTOR DC-MOTOR-DAMPER; -,CORE-PJT,Max 60m	SA	1

# 3. Cabinet

## Exploded View



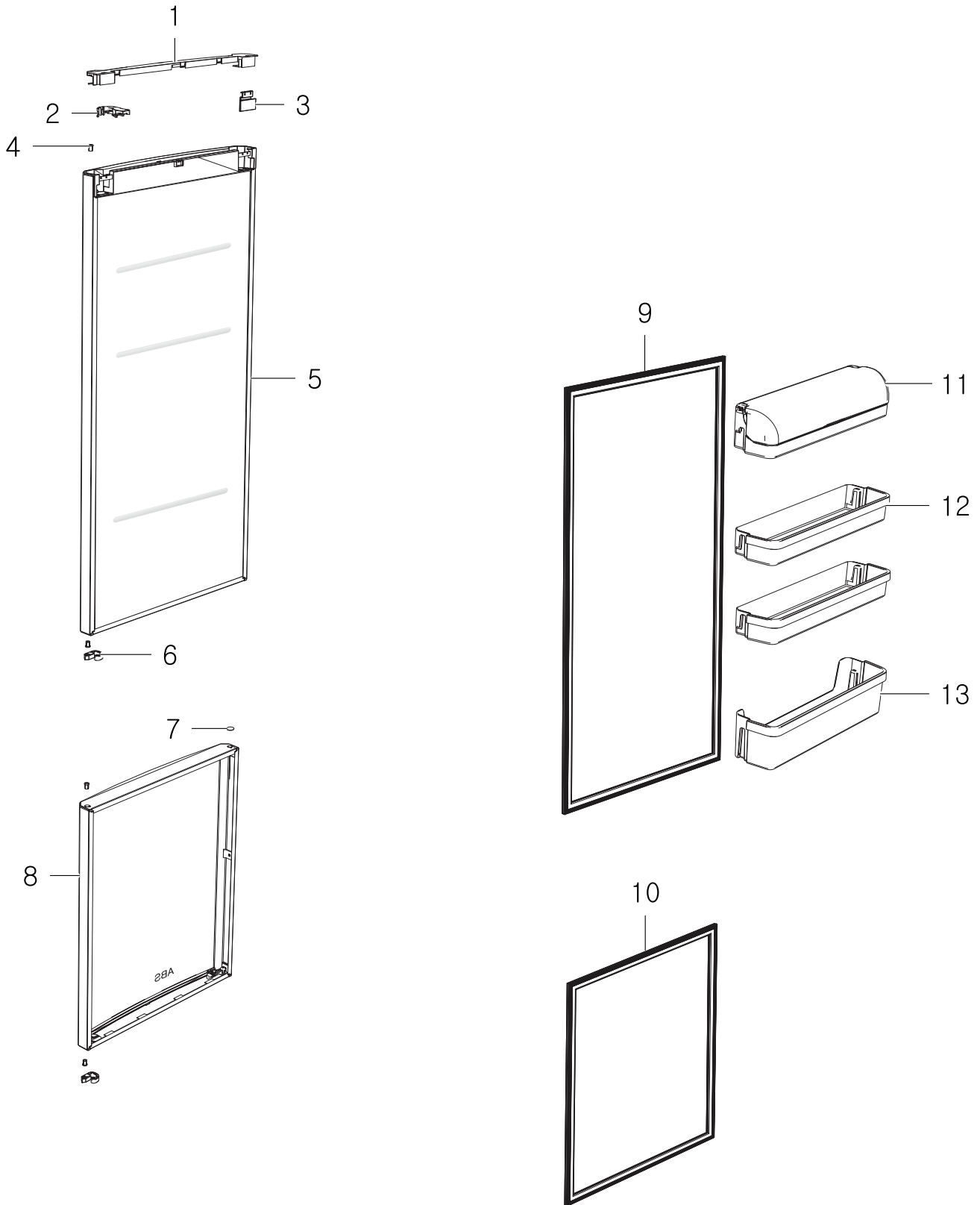
**Parts List**

No.	Parent	Lvl.	Loc.	Material Code	Description & Specification	SNA	Qty.
1	DA90-03404P	2	RO237	DA97-04804N	ASSY CAP-CABI SEMI; CORE,ABS,TITAN GRAY	SA	1
1-1	DA97-04804N	3	RO315	DA67-01585A	CAP-CABI SEMI; CORE-PJT,ABS,-,-,-,SC-0318	SA	1
1-2	DA97-04804N	3	RK819	DA34-00043A	SWITCH REED-ASS'Y; 200VDC,1.5,-	SA	1
1-3	DA97-04804N	3	RO454	DA63-03029C	COVER-WIRE HINGE L; CORE-PJT,PP,-,-,-,-	SA	1
1-4	DA97-04804N	3	RR231	DA67-01433J	CAP-HOLE HINGE UPP; CORE-PJT,HIPS,-,W37.1	SA	1
1-5	DA97-04804N	3	RO234	DA63-03079A	COVER-CONTROL SEMI; CORE-PJT,GPPS,-,-,-,-	SA	1
1-6	DA97-04804N	3	RO236	DA64-01824A	BUTTON-SEMI; CORE-PJT,HIPS,-,-,TITAN GRAY	SA	2
1-7	DA97-04804N	3	RO235	DA63-03080A	GASKET-BUTTON; CORE-PJT,NBR,-,-,-,-,SEM	SA	2
1-8	DA97-04804N	3	RR587	DA41-00370A	ASSY PCB KIT LED; CORE SEMI,DOOR REF,FR-1	SA	1
2	DA90-03404P	2	RO190	DA97-11904B	ASSY COVER-WIRE CABI; CORE-PJT,SEMI DISPL	SA	1
2-1	DA97-11904B	3	RR229	DA63-03074B	COVER-WIRE CABI; CORE/SVETA,PP	SA	1
2-2	DA97-07771M	3	RK691	DA32-00011Z	SENSOR TEMP; PX-41C,SVETA-PJT,-40~110	SA	1
2-3	DA97-11904B	3	RO200	DA96-00285M	ASSY W/HARNESS-CABI; CORE-PJT,SEMI LED CA	SA	1
3	DA90-03404P	2	RO313	DA67-02156D	CAP-CABI SIDE L; CORE,HIPS,-,-,-,TITAN-GR	SA	1
4	DA90-03404P	2	RO314	DA67-02157D	CAP-CABI SIDE R; CORE,HIPS,-,-,-,TITAN-GR	SA	1
5	DA90-03404P	2	RO366	DA63-05094A	COVER-PBA MAIN; SVETA-PJT,SGCC,T0.35	SA	1
6	DA97-07771M	3	RO191	DA61-05362B	CASE-PBA MAIN; SVETA-PJT,N-PP,NTR,V0	SA	1
7	DA97-07771M	3	RO004	2501-001186	C-OIL; 5uF,400V,BK,43x55mm,15mm	SA	1
8	DA90-03404P	2	RO040	DA97-03899C	ASSY HINGE-UPP; CORE,-,-,-,-,SEMI, TITA	SA	1
9	DA90-03404P	2	RO083	DA67-00195A	CAP-HINGE HOLE-MID; SR-32,35,PP,-,-,-,-	SA	1
10	DA90-03404P	2	RO039	DA97-03900C	ASSY HINGE-MID; SVETA-PJT,T4.0,Ni-Cr Plat	SA	1
11	DA97-03946E	3	RO100	DA61-00805A	FOOT-FRONT; REF-ALL,PP,PI44,NTR,H65.8,-,B	SC	2
12	DA90-03404P	2	RO003	DA97-03955H	ASSY COVER-LEG FRONT; CORE-PJT,PP,-,-,-,-	SA	1
12-1	DA97-03955H	3	RO287	DA63-03031C	COVER LEG-FRONT; CORE-PJT,PP,-,-,-,-,SC	SA	1

No.	Parent	Lvl.	Loc.	Material Code	Description & Specification	SNA	Qty.
12-2	DA97-03955H	3	RO085	DA67-01434C	CAP-HOLE HINGE LOW; CORE-PJT,PP,-,-,-,SC-	SA	1
13	DA90-03475F	2	RO036	DA97-03947C	ASSY HINGE-LOW; CORE-PJT,T4.0,-,-,PAINTIN	SA	1
13-1	DA97-03947C	3	RO598	DA61-02753A	HINGE-LOW; CORE,SHP1,T4.0,-,-,-,BLACK	SA	1
13-2	DA97-03947C	3	RE470	DA61-02756B	GUIDE-AUTO CLOSE; CORE-PJT,PA66(Zytel 318	SA	1
14	DA90-03400B	2	RO002	DA97-03896A	ASSY CHASSIS-COMP; CORE-PJT,SBHG1,T1.0,-,	SA	1
14-1	DA97-03896A	3	RR242	DA61-40126B	CASTER-REAR; REF-ALL,PP,-,PI 44,NTR,W22,-	SC	2
15	DA90-03400B	2	RO354	DA34-10004A	RELAY PROTECTOR O/L; 4TM189PHBYY-53,ST 5.	SA	1
16	DA90-03400B	2	SA	DA35-00099A	RELAY PTC; 330MD2(J535Q35E330M3852),33RH006	1	
17	DA90-03400B	2	RH092	DA63-05082A	COVER-RELAY COMP; SVETA-PJT,NORYL,T2.0,BL	SA	1
18	DA90-03400B	2	RX042	DA63-40171D	GROMMET-SUCT PIPE B; RAIL L20,NR,ID5.5,OD	SA	1
19	DA90-03400B	2	RO361	DA63-05124A	TRAY-DRAIN WATER; SVETA-PJT,SCP2,T0.5,BLA	SA	1
20	DA90-03400B	2	RR965	DA60-20008A	BOLT-HEX; S25C,M6,L42.6,WHITE,ZPC	SA	4
21	DA90-03400B	2	RH002	MSA4A1QL1B/E01	COMPRESSOR,RSCR,11.1CC,200-220V,STATIC COMPRESSOR,RSCR,11.1CC,200-220V,STATIC	SA	1
22	DA90-03400B	2	RH732	DA63-02017A	GROMMET COMP; QUEEN,EPDM,BLACK	SA	4
23	DA90-07165D	2	RH001	DA97-03985D	ASSY COVER-COMP; CORE-PJT,W300,L310	SA	1

# 4. Door

## Exploded View



**Parts List**

No.	Parent	Lvl.	Loc.	Material Code	Description & Specification	SNA	Qty.
1	DA90-03404P	2	RO186	DA63-03045C	COVER-WIRE DOOR; CORE-PJT,ABS,-,-,-,-,S	SA	1
2	DA97-03899C	3	RO456	DA63-03030C	COVER-WIRE HINGE R; CORE-PJT,PP,-,-,-,-,-	SA	1
3	DA97-03979V	5	RE121	DA67-01437C	CAP-SPACE DOOR; CORE-PJT,HIPS,-,-,-,SC-03	SA	1
4	DA97-04413B	5	RO116	DA63-03046A	GROMMET-HINGE; CORE PJT,NY-6,-,-,L16,ID6,	SA	1
5	DA90-06460F	2	RE001	DA91-02326K	ASSY DOOR FOAM REF; RL41, SEMI, RECESS, TI	SA	1
6	DA97-04413B	5	RE440	DA61-02773B	STOPPER-DOOR; CORE-PJT,POM(DE8903),-,-,-,	SA	1
7	DA90-06458J	2	RO515	DA67-01612C	CAP-HINGE HOLE; CORE-PJT,PP,-,-,-, TITAN G	SA	1
8	DA90-06458J	2	RD001	DA91-02325V	ASSY DOOR FOAM FRE; RL41/38, TITANIUM SILV	SA	1
9	DA90-06460F	2	RR238	DA97-07366L	ASSY-GASKET DOOR REF; SVETA-PJT,RL42, SC-	SA	1
10	DA90-06458J	2	RU513	DA97-07366J	ASSY-GASKET DOOR FRE; SVETA-PJT,SC-97487,	SA	1
11	DA90-03409B	2	RE028	DA97-03880A	ASSY GUARD-DAIRY; CORE,ASS'Y,-,-,-,-,-	SA	1
12	DA90-03409B	2	RE373	DA63-03034B	GUARD-VARIETY; CORE-PJT,GPPS,T2.5,-,-,-,N	SA	2
13	DA90-03409B	2	RE343	DA63-03033B	GUARD-BOTTLE; CORE-PJT,GPPS,T2.5,-,-,-,NO	SA	1