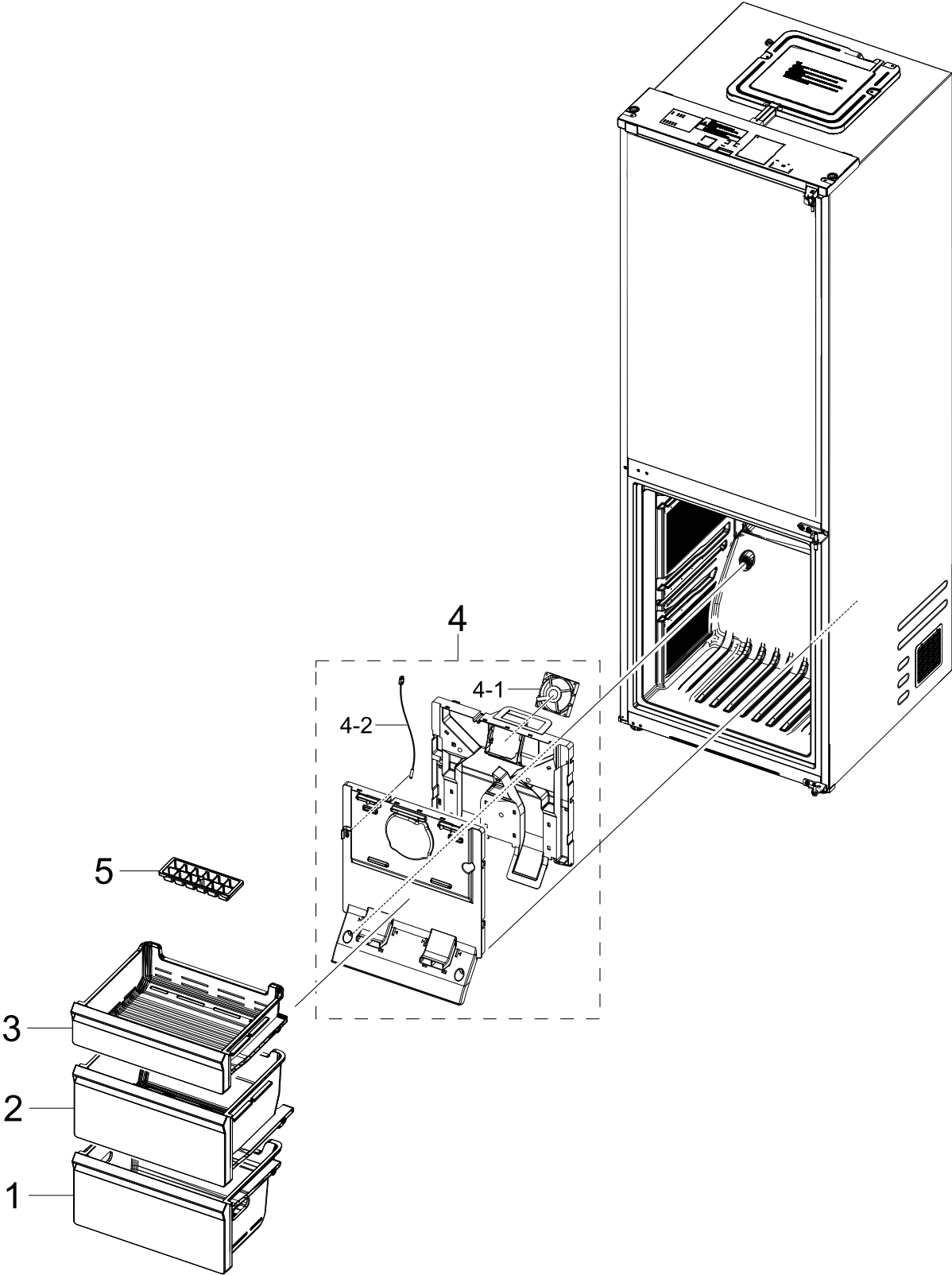


# 1. FREEZER

FREEZER

Exploded View



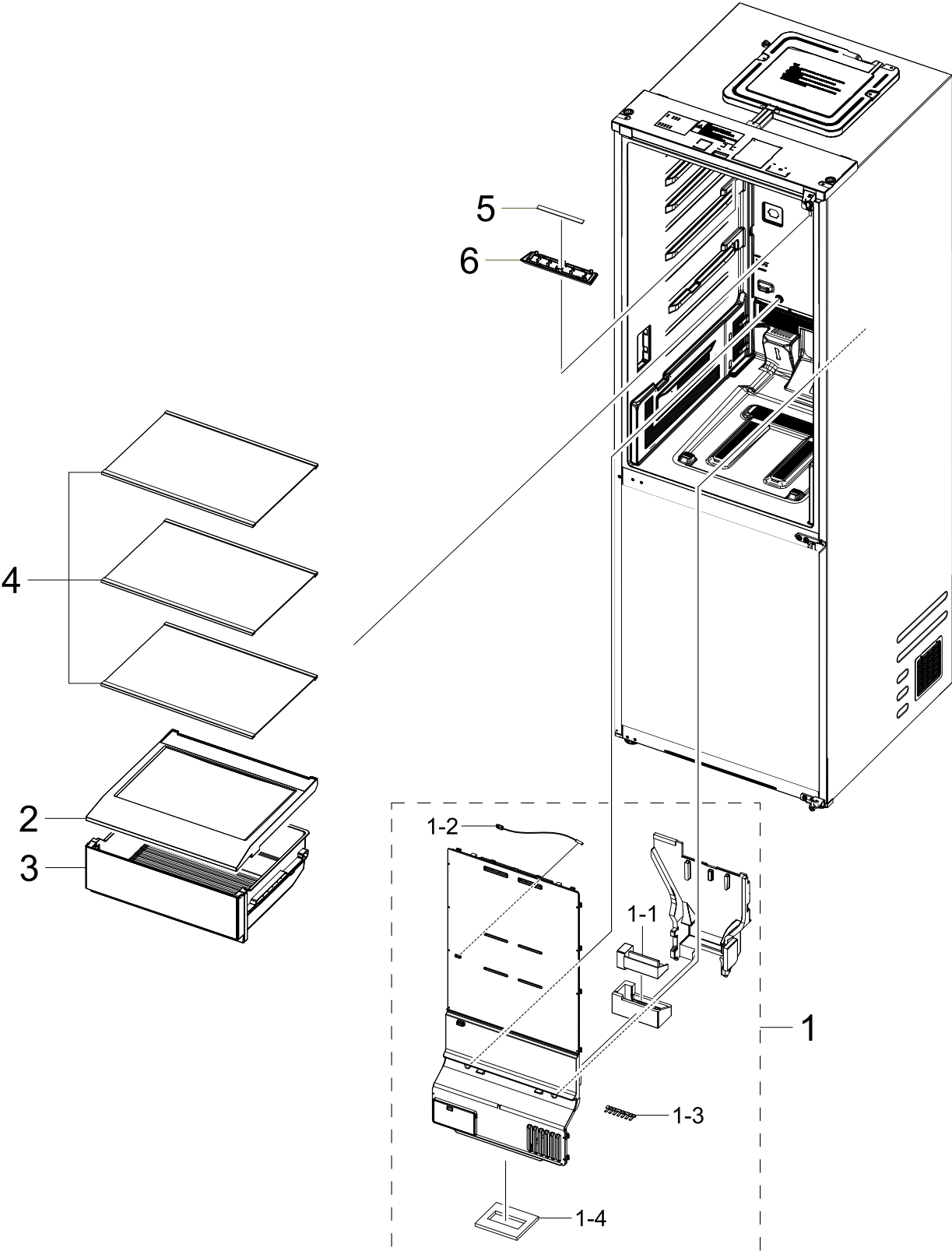
**Parts List**

| No. | Lvl. | Loc.  | Material Code | Description & Specification               | SNA | Qty. |
|-----|------|-------|---------------|-------------------------------------------|-----|------|
| 1   | 2    | G0267 | DA97-21136A   | ASSY TRAY-FRE LOW DRAWER MODULE; RB7300T, | SA  | 1    |
| 2   | 2    |       | DA97-21135A   | ASSY TRAY-FRE MIDDLE DRAWER MODULE; RB730 | SA  | 1    |
| 3   | 2    | M0483 | DA97-21134A   | ASSY TRAY-FRE UP DRAWER MODULE; RB7300T,T | SA  | 1    |
| 4   | 2    | M0303 | DA97-19096B   | ASSY COVER EVAP-FRE; 3050 BMF,PP,-,-,-,-, | SA  | 1    |
| 4-1 | 3    |       | DA31-00338C   | MOTOR BLDC FAN; U92C12MS1B3-52K094/09232J | SA  | 1    |
| 4-2 | 3    | A1018 | DA32-10105X   | SENSOR TEMP;QUEEN PJT,-40~120°C,5V,F-SENS | SA  | 1    |
| 5   | 2    | A0120 | DA67-40146A   | TRAY ICE-ICE MODULE; RB7300T,PP,T1.5,-,HB | SA  | 1    |

# 2. FRIDGE

FRIDGE

Exploded View

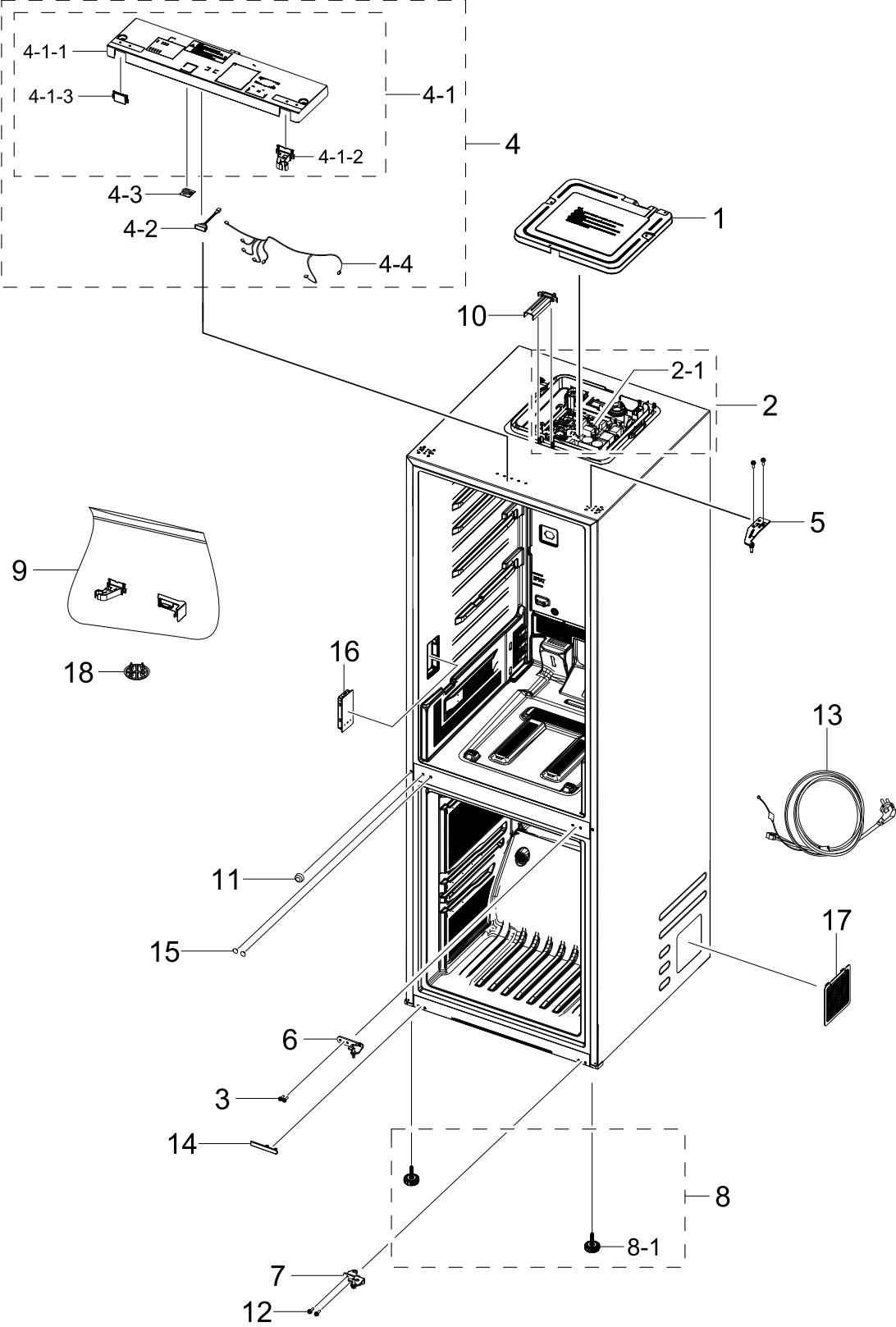




# 3. CABINET

## CABINET

### Exploded View



## Parts List

| No.   | Lvl. | Loc.  | Material Code | Description & Specification                  | SNA | Qty. |
|-------|------|-------|---------------|----------------------------------------------|-----|------|
| 1     | 2    |       | DA97-21372A   | ASSY COVER PBA-MAIN; RB7300T,GI-SGCC,T0.4    | SA  | 1    |
| 2     | 1    |       | DA94-09350Q   | ASSY PCB EEPROM; 0x9D,DA92-01778A,D603,D6    | SA  | 1    |
| 2-1   | 2    | A0952 | DA92-01778A   | ASSY PCB MAIN; HW,RB7300,160*194,220V,VAL    | SNA | 1    |
| 3     | 2    | A0564 | DA60-10123C   | BOLT-HEX;<br>M6,L24,ZPC(WHT),HWH,SWRCH18A,HW | SA  | 2    |
| 4     | 2    | A1288 | DA97-25870F   | ASSY TOP TABLE; RB7300T (C),INOX GRAY,INT    | SA  | 1    |
| 4-1   | 3    |       | DA97-25342A   | ASSY TOP TABLE-FRONT; RB7300T,INOX GRAY,C    | SA  | 1    |
| 4-1-1 | 4    | A1109 | DA64-07219A   | TOP TABLE; RB7300T,ABS,-,INOX GRAY,-,HG-0    | SNA | 1    |
| 4-1-2 | 4    |       | DA63-12220A   | COVER WIRE-HINGE RIGHT; RB7300,ABS,T1.2,H    | SA  | 1    |
| 4-1-3 | 4    |       | DA67-05483A   | CAP HINGE; RB7300T,ABS,-,HB,HG-0760GP,INO    | SNA | 1    |
| 4-2   | 3    |       | DA34-00043J   | SWITCH REED; UL1007 AWG 22,50mm              | SA  | 1    |
| 4-3   | 3    |       | DA92-00817A   | ASSY MODULE; HW,BUZZER PBA,RB6000K,Standa    | SA  | 1    |
| 4-4   | 3    |       | DA96-01418H   | ASSY WIRE HARNESS-TOP; RB7300T,BMF,12VDC,    | SA  | 1    |
| 5     | 2    |       | DA97-21173A   | ASSY HINGE-UP; RB7300T,4T,BLACK              | SA  | 1    |
| 6     | 2    |       | DA97-21646A   | ASSY HINGE-MIDDLE; RB7300T,T4.5,BLACK        | SA  | 1    |
| 7     | 2    | M0344 | DA97-21239A   | ASSY HINGE-LOW; RB7300T,4T,BLACK             | SA  | 1    |
| 8     | 2    |       | DA97-21127A   | ASSY CABI-BOTTOM; RB7300T,PP,T1.5,MONO,C,    | SNA | 1    |
| 8-1   | 3    | Z1128 | DA61-07546B   | LEG-FRONT; GRAND CRU,PP,BLACK,-,SSPP-640,    | SA  | 2    |
| 9     | 2    |       | DA91-06626A   | ASSY INSTALL-REVERSIBLE KIT; RB7300T,C GR    | SA  | 1    |
| 10    | 2    |       | DA63-12344A   | COVER WIRE-CABI; RB7300T,ABS,T2,HB,INOX G    | SA  | 1    |
| 11    | 2    |       | DA67-03725A   | CAP SCREW; 3050,PP,HB,49MK45,INOX GRAY       | SA  | 1    |
| 12    | 2    | A0564 | 6011-001546   | BOLT-HEX; M5(P0.8),L16,ZPC(WHT),HWH,+ ,SWR   | SA  | 4    |
| 13    | 2    | A0273 | 3903-001015   | POWER CORD-AT; H05VV-F 3x0.75mm2,BLK,EU3F    | SA  | 1    |
| 14    | 2    |       | DA67-05095A   | CAP SCREW-A; RB7300T,ABS,T1.5,-,HF-0660I,    | SA  | 1    |
| 15    | 2    |       | DA67-04049A   | CAP HINGE-HOLE; BK,ABS,T2,HB,HG-0760GP,SN    | SA  | 2    |
| 16    | 2    | A0626 | DA97-23190V   | ASSY COVER CONTROL; RF7000C / RB7300C,-,-    | SA  | 1    |
| 17    | 2    |       | DA63-08062A   | COVER UNIT; BK,ABS,-,HB,INOX GRAY,-,HG-07    | SA  | 1    |
| 18    | 2    | M0158 | DA63-09871A   | COVER-URETHANE; RB7300T,PP,T2.5,5VA,BLACK    | SA  | 1    |



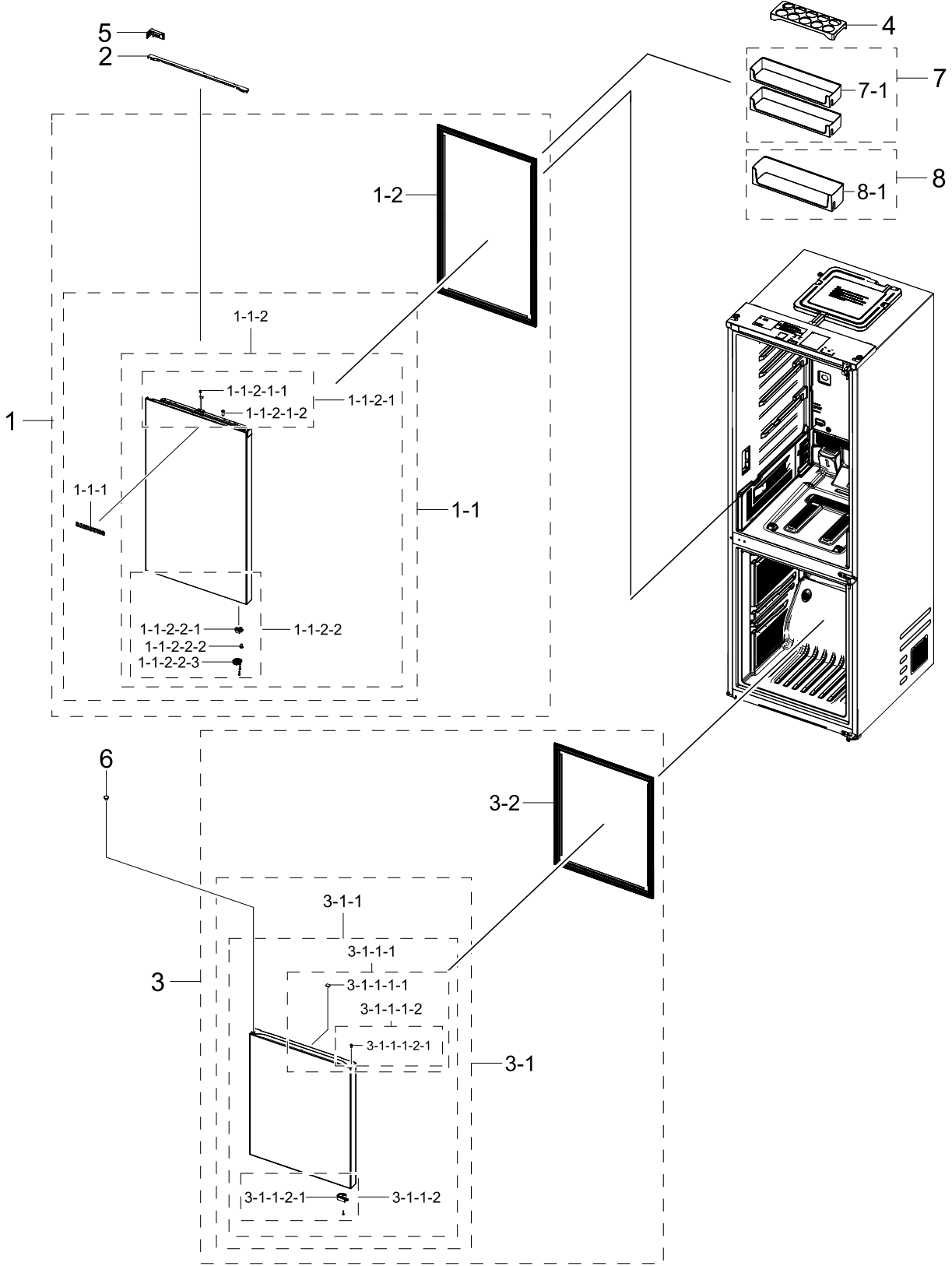
Exploded Views and Parts List

| No.   | Lvl. | Loc.  | Material Code  | Description & Specification                                 | SNA | Qty. |
|-------|------|-------|----------------|-------------------------------------------------------------|-----|------|
| 2-2-3 | 4    |       | DA97-21518A    | ASSY PIPE IMMERRGING; RB7300T,-,-,-,-,-,-,-,-,              | SA  | 1    |
| 2-3   | 3    |       | NI54D9905ABTS7 | CMP,COMP,REFRIGERATOR,R600A;<br>CMP,COMP,REFRIGERATOR,R600A |     | 1    |
| 2-4   | 3    | A0564 | 6011-007289    | BOLT-HEX; M6,L43.6,ZPC(SILVER),HH,SOCKET,                   | SA  | 4    |
| 2-5   | 3    | Z1112 | DA63-09336B    | GROMMET COMP; REF,IIR,BLACK,-,-,L21.3, OD                   | SA  | 4    |
| 2-6   | 3    | A0526 | DA97-21174A    | ASSY CHASSIS COMP; RB7300T,GI-SGCC,T0.8,C                   | SA  | 1    |
| 2-6-1 | 4    | A0527 | DA61-06202A    | CASTER-REAR; GRAND-CRU,PP,NATURAL                           | SA  | 2    |
| 3     | 2    | M0076 | DA97-15477F    | ASSY COVER COMP; RB7300T,-,-,-,-,-,-,-,-,                   | SA  | 1    |
| 4     | 2    | A0669 | DA62-04309E    | DRYER; C1220T-H,L118,SINGLE MOUTH,OD15.8,                   | SA  | 1    |
| 5     | 2    |       | DA62-05500A    | PIPE CONNECT-SUCTION; RB7300T,Cu,OD6.35,T                   | SA  | 1    |
| 6     | 2    | A0523 | DA73-10190U    | PIPE-CONNECT DISC,B; ALL,C1220T,Cu,OD6.35                   | SA  | 1    |
| 7     | 2    |       | DA60-00279A    | FITTING LOCK RING; SUM23,-,SILVER,-,-,16,                   | SA  | 1    |
| 8     | 2    |       | DA60-00281A    | FITTING LOCK SLEEVE; SUM23,ID5.02,11SMnPb                   | SA  | 1    |
| 9     | 2    |       | DA97-12843C    | VALVE STEP; DC12V,MODULE,1 WAY,RIGHT bend                   | SA  | 1    |
| 10    | 2    | G0412 | DC60-20057A    | SCREW-TAPPING;<br>SWRCH18A,ZPC(WHT),L16,M5,T                | SA  | 4    |
| 11    | 2    |       | DA72-60040W    | SEAL-CUTT RUBBER; TD-PJT,RUBBER,T5,W35,L3                   | SA  | 1    |

# 5. DOOR

DOOR

Exploded View



**Parts List**

| No.         | Lvl. | Loc.  | Material Code | Description & Specification                  | SNA | Qty. |
|-------------|------|-------|---------------|----------------------------------------------|-----|------|
| 1           | 2    |       | DA97-21621F   | ASSY DOOR SUB-REF DOOR MODULE; RB7300T,RB    | SNA | 1    |
| 1-1         | 3    | Z1100 | DA91-05333H   | ASSY DOOR FOAM-REF; RB7300T,N,BENDING,FS,    | SA  | 1    |
| 1-1-1       | 4    | M0196 | DA64-07620A   | MASCOT; ALL,Ni,T0.06,-,-,-,L46               | SA  | 1    |
| 1-1-2       | 4    |       | DA97-21312K   | ASSY PLATE DOOR-REF; RB7300T,RB34,BENDING    | SNA | 1    |
| 1-1-2-1     | 5    |       | DA97-21210B   | ASSY CAP DOOR-REF UP; RB7300T,INOX GRAY,I    | SNA | 1    |
| 1-1-2-1-1   | 6    |       | DA67-02795C   | CAP-SHAFT HOLE; AW3,ABS,-,-,-,HG-0760GP,SNO  | SA  | 1    |
| 1-1-2-1-2   | 6    |       | DA63-07545A   | GROMMET HINGE-MIDDLE; FOOD<br>SHOWCASE,PA66+ | SA  | 1    |
| 1-1-2-2     | 5    | A0048 | DA97-21211B   | ASSY CAP DOOR-REF LOW; RB7300T,BLACK,RECE    | SNA | 1    |
| 1-1-2-2-1   | 6    | A0640 | DA61-14266A   | STOPPER DOOR; RB7300T, METAL,PO-SPHC,T4,A    | SA  | 1    |
| 1-1-2-2-2   | 6    |       | DA63-09976A   | GROMMET DOOR-REF; RB7300T,POM,BLACK,-,K30    | SA  | 1    |
| 1-1-2-2-3   | 6    |       | DA66-01480A   | LEVER AUTO CLOSE; RB7300T,POM,T1.8,K300,B    | SA  | 1    |
| 1-2         | 3    |       | DA97-23536F   | ASSY GASKET; RB7300,GRAY,No Sub-gasket,RB    | SA  | 1    |
| 2           | 2    |       | DA63-09843A   | COVER WIRE-DOOR; RB7300T,ABS,T2,HB,INOX G    | SA  | 1    |
| 3           | 2    |       | DA93-01432C   | ASSY DOOR SUB-FRE DOOR MODULE; RB7300T,RB    | SNA | 1    |
| 3-1         | 3    | M0063 | DA91-05343R   | ASSY DOOR FOAM-FRE; RB7300T,N,BENDING,FS,    | SA  | 1    |
| 3-1-1       | 4    |       | DA97-21234M   | ASSY PLATE DOOR-FRE; RB7300T,BENDING,RECE    | SNA | 1    |
| 3-1-1-1     | 5    |       | DA97-21212A   | ASSY CAP DOOR-FRE UP; RB7300T,DARK GRAY,R    | SNA | 1    |
| 3-1-1-1-1   | 6    | A0534 | DA61-03769B   | MAGNET; SVETA,FERRITE,-,-,-,-,1600Gauss      | SA  | 1    |
| 3-1-1-1-2   | 6    |       | DA97-21608A   | ASSY CAP DOOR-FRE UP; RB7300T,DARK GRAY,W    | SNA | 1    |
| 3-1-1-1-2-1 | 7    | A0827 | DA63-08059A   | GROMMET HINGE; BK65,60,PA66+GF15%,BLACK,-    | SA  | 1    |
| 3-1-1-2     | 5    | A0047 | DA97-21213A   | ASSY CAP DOOR-FRE LOW; RB7300T,BLACK         | SNA | 1    |
| 3-1-1-2-1   | 6    |       | DA66-01445A   | LEVER AUTO CLOSE; RB7300T,POM,T1.8,K300,B    | SA  | 1    |
| 3-2         | 3    |       | DA97-23537B   | ASSY GASKET-FRE; RB7300,GRAY,No Sub-gaske    | SA  | 1    |
| 4           | 2    | A0656 | DA63-06221A   | TRAY EGG; RF9000A,GPPS,T2.5,-,-,-,147F,-,TP  | SA  | 1    |
| 5           | 2    |       | DA67-05049A   | CAP SPACE-DOOR LEFT; RB7300T,ABS,T1.5,HB,    | SA  | 1    |
| 6           | 2    |       | DA67-04054H   | CAP HINGE; RB7300T,ABS,T1.6,HB,HG-0760GP,    | SA  | 1    |
| 7           | 2    |       | DA97-25600B   | ASSY GUARD-REF UP; RB7300T,-,-,-,-,-,-,-,    | SA  | 2    |
| 7-1         | 3    | M0447 | DA63-09799A   | GUARD-REF UP DOOR BIN MODULE; RB7300T,GPP    | SA  | 2    |
| 8           | 2    |       | DA97-25590B   | ASSY GUARD-BOTTLE; RB7300T,-,-,-,-,-,-,-,    | SA  | 1    |
| 8-1         | 3    | Z1010 | DA63-09802A   | GUARD-BOTTLE DOOR BIN MODULE;<br>RB7300T,GPP | SA  | 1    |