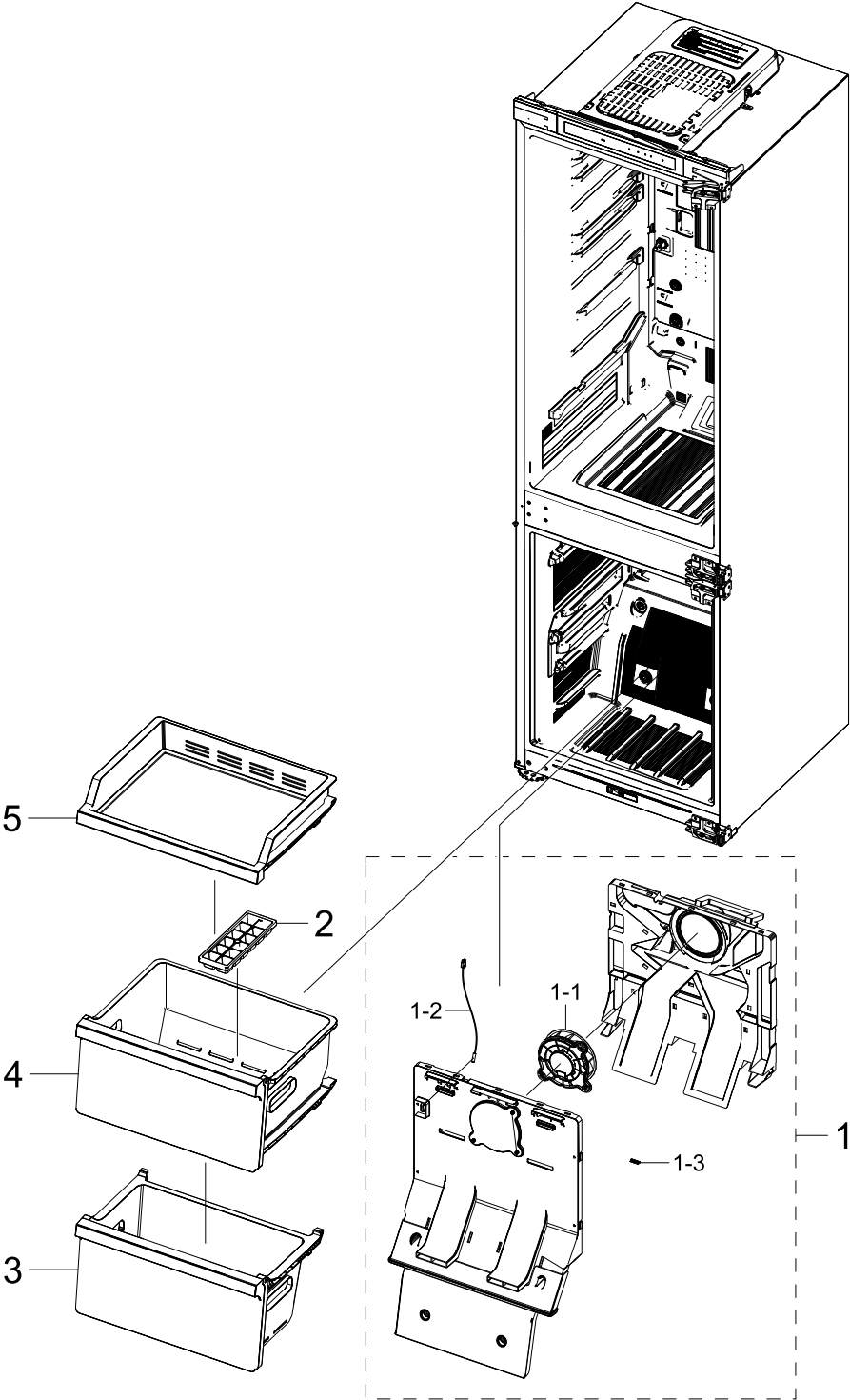


1. FREEZER

FREEZER

Exploded View



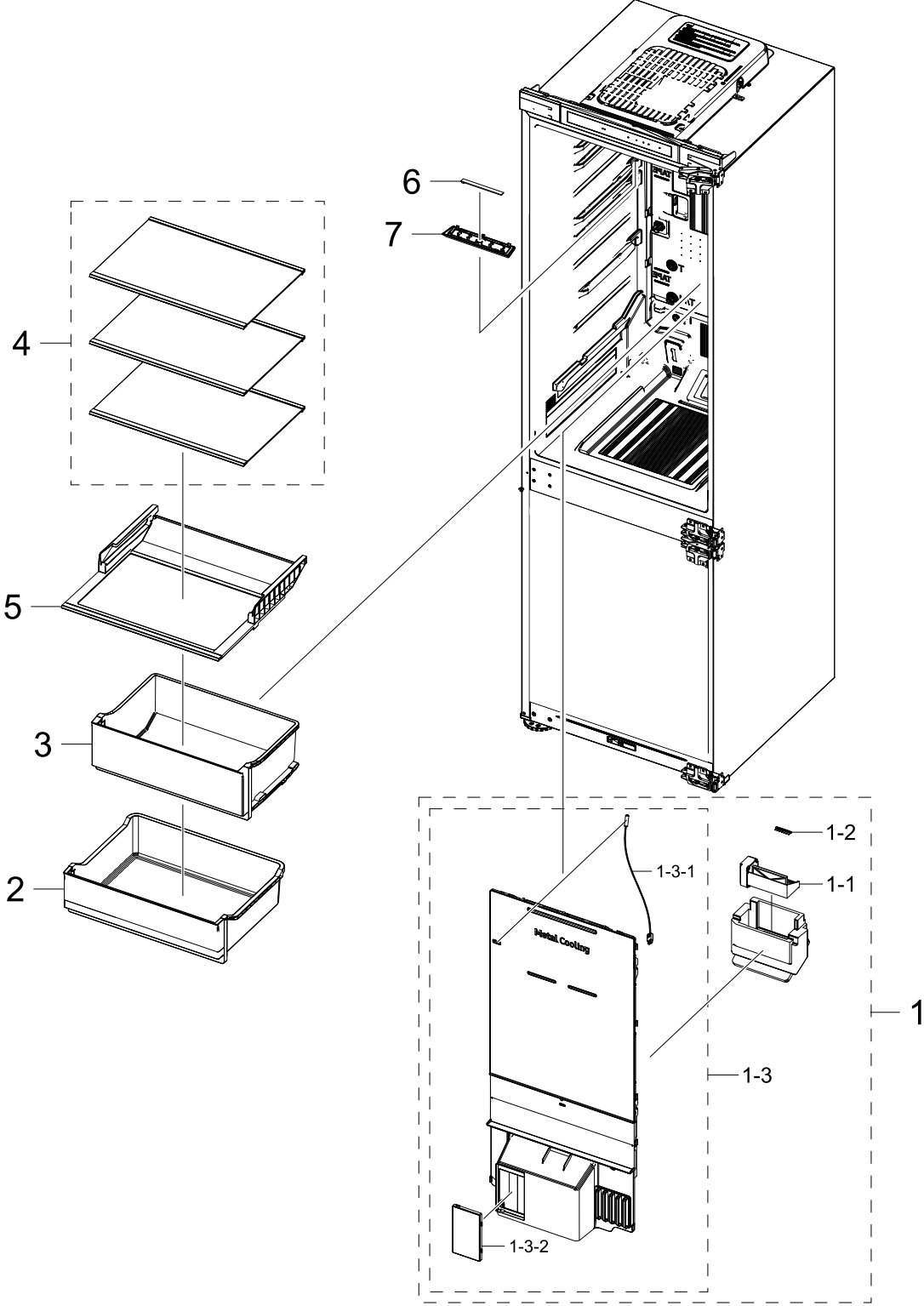
Parts List

No.	Lvl.	Loc.	Material Code	Description & Specification	SNA	Qty.
1	2	M0303	DA97-17173A	ASSY COVER EVAP-FRE; BRB6000M	SA	1
1-1	3		DA31-00334E	MOTOR BLDC FAN; 12035GE-12M-YT,1775rpm,12	SA	1
1-2	3	A1018	DA32-00070F	SENSOR TEMP; SC41198-021A,L300,13.2kohm,2	SA	1
1-3	3		DA61-11034A	FIXER; RT5000K,PA66,-,WHITE,-,KN3322V0,5P	SA	1
2	2	A0120	DA67-40146A	TRAY ICE-ICE MODULE; RB7300T,PP,T1.5,HB,N	SA	1
3	2	A1186	DA97-17253D	ASSY CASE BASKET-LOW; BRB600A,TP GRAY, NO	SA	1
4	2		DA97-17254F	ASSY CASE BASKET-MIDDLE; BRB6000A,TP GRAY	SA	1
5	2		DA97-17379C	ASSY SHELF SLIDE-FRE; BRB6000A,ASSY	SA	1

2. FRIDGE

FRIDGE

Exploded View



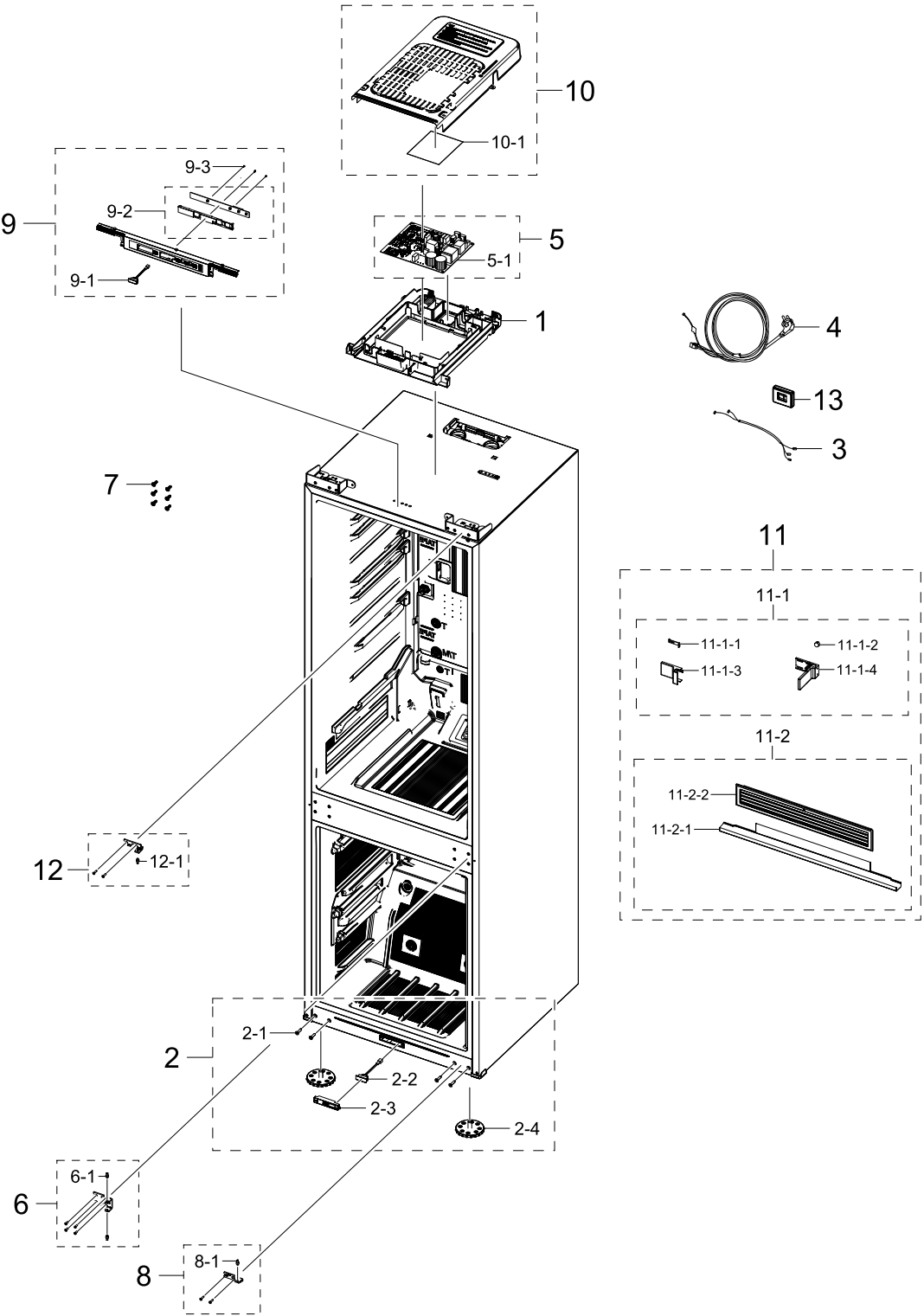
Parts List

No.	Lvl.	Loc.	Material Code	Description & Specification	SNA	Qty.
1	2	G0239	DA97-22099A	ASSY COVER MULTI-REF; BRB6000A	SA	1
1-1	3		DA31-00333C	MOTOR GEARED DC DAMPER; NSBA001TN1,375rpm	SA	1
1-2	3		DA61-11032A	FIXER; RT5000K,PA66,WHITE,KN3322V0,7P Ret	SA	1
1-3	3		DA97-22408B	ASSY COVER MULTI; BRB6000A,Sub Assy, prin	SNA	1
1-3-1	4	A1018	DA32-00070D	SENSOR TEMP; SC41199-021A,L900,13.2kohm,2	SA	1
1-3-2	4		DA63-06337A	COVER-CONV MULTI; GRAND CRU,PP,-,HB,COOL	SA	1
2	2	M0300	DA97-17247F	ASSY CASE VEG-LOW; BRB6000M,TP GRAY,HUMID	SA	1
3	2		DA97-22196C	ASSY CASE VEG-UP; BRB6000M,TP GRAY,OPTIMA	SA	1
4	2		DA97-17294C	ASSY SHELF GLASS-REF; BRB6000M,WHITE TRIM	SA	3
5	2		DA97-22087A	ASSY SHELF VEG-LOW; BRB6000A,RAIL TYPE, C	SA	1
6	2		DA96-01119A	ASSY LAMP LED; 3EA,FR-4,150*12,WHITE,SMAW	SA	1
7	2		DA97-21569A	ASSY COVER LAMP; RB7300T,COVER LAMP, ASSY	SA	1

3. CABINET

CABINET

Exploded View



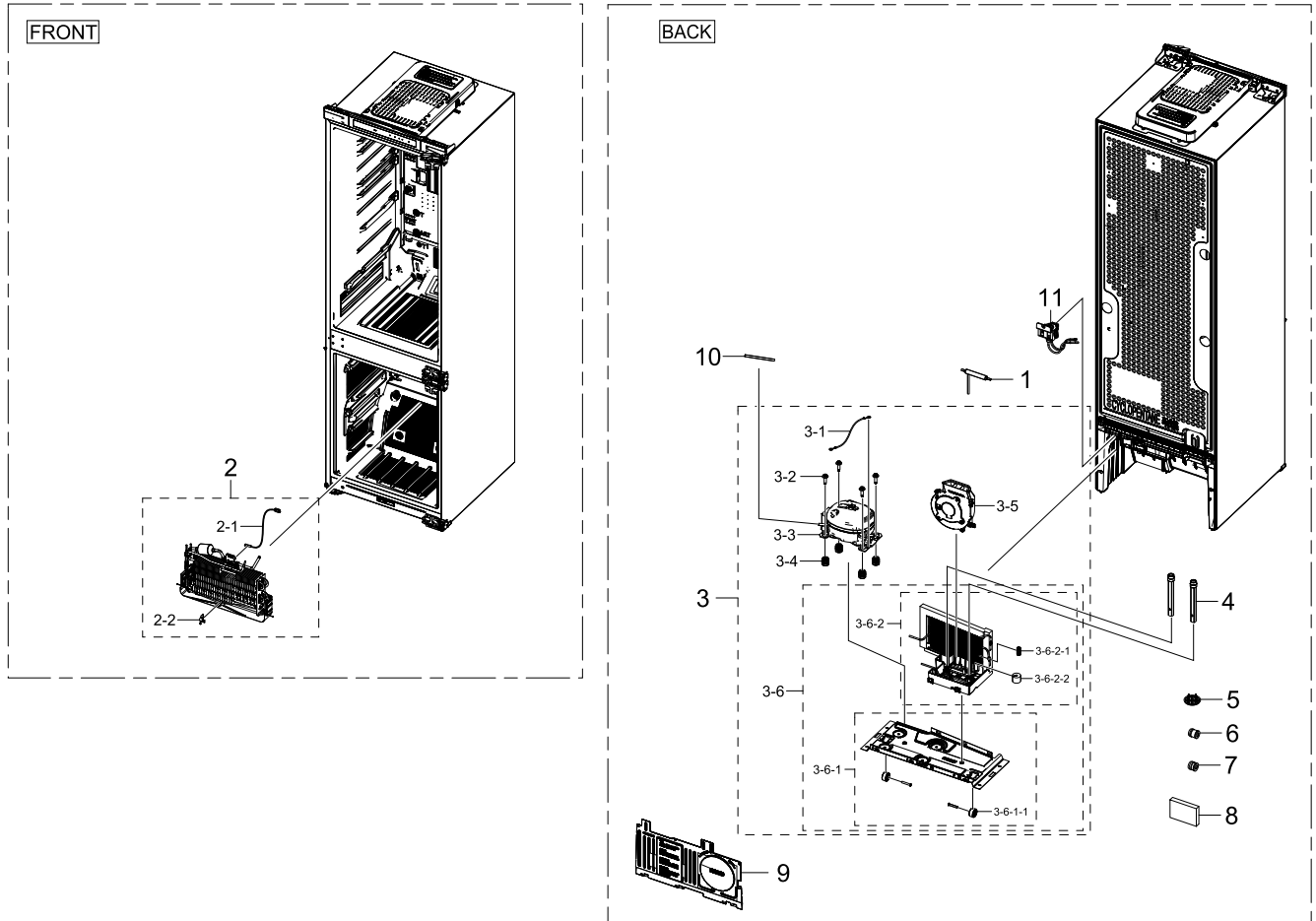
Parts List

No.	Lvl.	Loc.	Material Code	Description & Specification	SNA	Qty.
1	2		DA97-22516A	ASSY CASE PBA-MAIN; BRB6000A	SA	1
2	2		DA97-22204K	ASSY CABI FRAME-BOTTOM; BRB6000,PP,T1.5,5	SNA	1
2-1	3	G0020	6009-001475	SCREW-SPECIAL; FH,+,M5,L25(15.5),ZPC(WHT)	SA	4
2-2	3		DA34-00043J	SWITCH REED; UL1007 AWG 22,50mm	SA	1
2-3	3	G0271	DA67-02385A	CAP DOOR SWITCH; SVETA-PJT,PP,T1.5,HB,BJ7	SA	1
2-4	3	A0577	DA61-11301A	FOOT-FRONT; BRB6000M,PP,BLACK,-,-,RM60,PP	SA	2
3	2		DA96-00990S	ASSY WIRE HARNESS-ETC; BRB6000A,BMF BI,FR	SA	1
4	2	A0273	3903-001012	POWER CORD-AT; H05VV-F 3x0.75mm2,BLK,EU3F	SA	1
5	1		DA94-10061C	ASSY PCB EEPROM; 0x03,DA92-01841B,D602,BR	SA	1
5-1	2	A0952	DA92-01841B	ASSY PCB MAIN; HW,BRB6000F,160*194,220V,M	SNA	1
6	2		DA97-17231A	ASSY HINGE-MIDDLE; BRB6000M	SA	1
6-1	3	A0518	DA66-00385A	SHAFT-HINGE; CORE,SWRCH10A,L17,OD6,-,-,T6	SA	1
7	2	G0020	6009-001475	SCREW-SPECIAL; FH,+,M5,L25(15.5),ZPC(WHT)	SA	6
8	2	M0344	DA97-17229A	ASSY HINGE-LOW; BRB6000M	SA	1
8-1	3	A0518	DA66-00385A	SHAFT-HINGE; CORE,SWRCH10A,L17,OD6,-,-,T6	SA	1
9	2	A0904	DA97-22123C	ASSY COVER CONTROL-FRONT; BRB6000,WIFI, A	SA	1
9-1	3		DA34-00043J	SWITCH REED; UL1007 AWG 22,50mm	SA	1
9-2	3		DA97-22240B	ASSY COVER CONTROL-PBA; BRB6000F,MONO,WIF	SA	1
9-3	3	G0412	6002-000630	SCREW-TAPPING; SWRCH18A,ZPC(WHT),L8,M3,PH	SA	5
10	2		DA97-22895A	ASSY COVER PBA; BRB6000A,GI-SGCC,T0.4	SA	1
10-1	3		DA63-11562A	SHEET-B; BRB6000A,PC,T0.5,3022IR,NATURAL,	SA	1
11	2		DA91-06363F	ASSY INSTALL-ACCESSORY; BRB26,ASSY WITH C	SA	1
11-1	3		DA91-05533B	ASSY INSTALL-BUILT IN KIT; Slide, no logo	SNA	1
11-1-1	4		DA61-12156A	BRACKET HINGE; BRB6000M,PO-SPHC,T2,Slide	SA	1
11-1-2	4		DA67-00942A	CAP SCREW; BBC-PJT,PP,T2,HB,BJ750,SNOW WH	SA	3
11-1-3	4		DA63-08929A	COVER HINGE-MIDDLE; BRB6000M,ABS,-,-,HB,SNO	SA	1
11-1-4	4		DA97-18282A	ASSY BRACKET-MIDDLE; BRB6000M	SA	1
11-2	3		DA91-05535B	ASSY INSTALL-PARTS KIT; BRR6000B,SLIDE	SNA	1
11-2-1	4		DA97-18110A	ASSY CAP LEG-FRONT; BRB6000M	SA	1
11-2-2	4		DA64-05179A	GRILLE; BRB6000M,HIPS,-,-,SNOW WHITE,-,-,576H	SA	1
12	2		DA97-17230A	ASSY HINGE-UP; BRB6000M	SA	1
12-1	3	A0518	DA66-00385A	SHAFT-HINGE; CORE,SWRCH10A,L17,OD6,-,-,T6	SA	2
13	2	E0010	DA97-00713C	ASSY-THERMO GUIDE; XEF,THERMO,COOL WHITE	SA	1

4. CYCLE

CYCLE

Exploded View



Parts List

No.	Lvl.	Loc.	Material Code	Description & Specification	SNA	Qty.
1	2	A0669	DA62-04309E	DRYER; C1220T-H,L118,SINGLE MOUTH,OD15.8,	SA	1
2	2	A0163	DA96-01209A	ASSY EVAP-FRE; BRB6000M,FIN TUBE	SA	1
2-1	3	A1008	DA47-00301D	THERMO FUSE-ASSY;AC250V,10A,109~110°C,S.O	SA	1
2-2	3	M9010	DA61-03644A	PLATE-EVAP HEATER; AW-PJT,Al,T0.7	SA	1
3	2		DA97-22512Q	ASSY COMP N CONDENSING; BRB26G* E/C/D, BR	SNA	1
3-1	3	A0562	DA39-20389A	ASSY WIRE HARNESS-EARTH; EARTH,ALL,FREE V	SA	1
3-2	3	A0564	6011-007289	BOLT-HEX; M6,L43.6,ZPC(SILVER),HH,SOCKET,	SA	4
3-3	3		NI54D9905ABTS7	CMP,COMP,REFRIGERATOR,R600A; CMP,COMP,REFRIGERATOR,R600A		1
3-4	3	Z1112	DA63-09336B	GROMMET COMP; REF,IIR,BLACK,-,-,L21.3, OD	SA	4
3-5	3	M0116	DA97-22203A	ASSY SUPPORT-CIRCUIT MOTOR; BRB6000A,AIO	SA	1

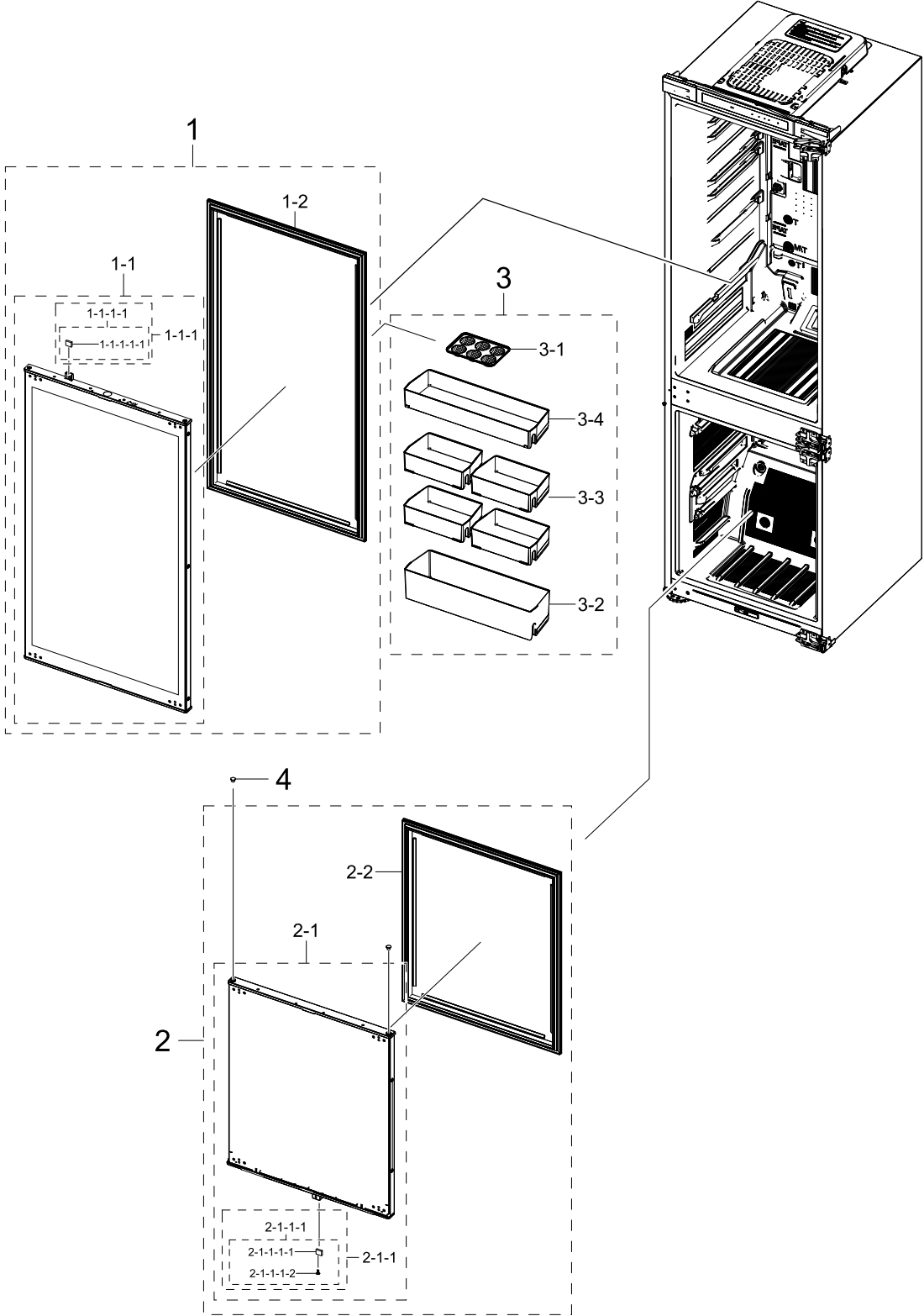
Exploded Views and Parts List

No.	Lvl.	Loc.	Material Code	Description & Specification	SNA	Qty.
3-6	3		DA97-23327D	ASSY CHASSIS-SUB; BRB,C/D GRADE	SNA	1
3-6-1	4	A0526	DA97-22102A	ASSY CHASSIS COMP; BRB6000A,GI-SGCC,T1	SA	1
3-6-1-1	5	A0527	DA61-06202A	CASTER-REAR; GRAND-CRU,PP,NATURAL	SA	2
3-6-2	4	A0529	DA97-22101A	ASSY TRAY DRAIN WATER; BRB6000A,T2,PFC C,	SA	1
3-6-2-1	5		DA63-07323A	GROMMET-IMMERSION PIPE B; ROMANEE CONTI,N	SA	1
3-6-2-2	5	M0333	DA63-40171B	GROMMET-SUCT PIPE A; NBR,-,-,-,ID4,OD20	SA	1
4	2		DA97-22533A	ASSY CAP DRAIN; BRB6000A,L165	SA	1
5	2	M0158	DA63-09871A	COVER-URETHANE; RB7300T,PP,T2.5,5VA,BLACK	SA	1
6	2		DA60-00279A	FITTING LOCK RING; SUM23,-,SILVER,-,-,16,	SA	1
7	2		DA60-00281A	FITTING LOCK SLEEVE; SUM23,ID5.02,11SMnPb	SA	1
8	2		DA72-60040C	SEAL CUTT-RUBBER; RF6000T,RUBBER,T4,W45,L	SA	1
9	2	M0076	DA97-22100A	ASSY COVER COMP; BRB6000A,GI-SGCC,T0.25	SA	1
10	2	A0523	DA73-10190U	PIPE-CONNECT DISC,B; ALL,C1220T,Cu,OD6.35	SA	1
11	2		DA97-12843C	VALVE STEP; DC12V,MODULE,1 WAY,RIGHT bend	SA	1

5. ASSY DOOR

ASSY DOOR

Exploded View



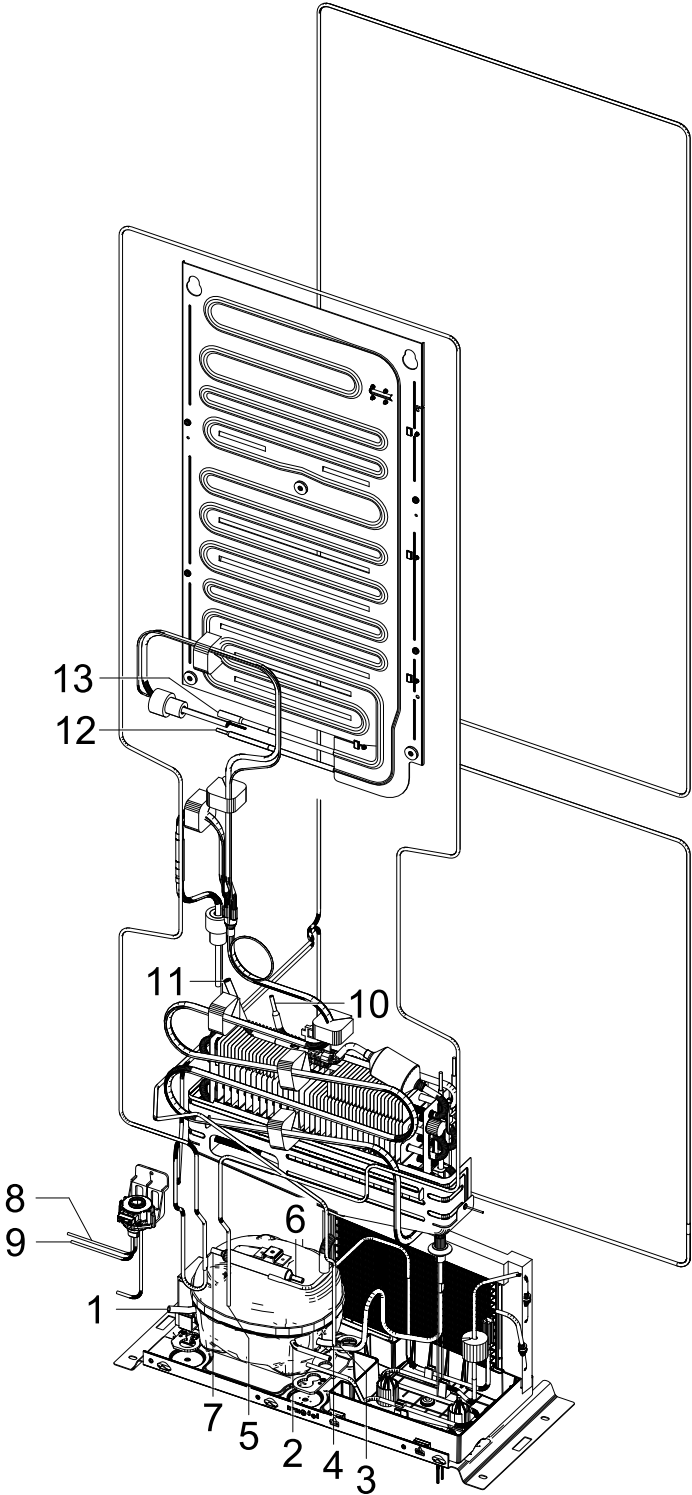
Parts List

No.	Lvl.	Loc.	Material Code	Description & Specification	SNA	Qty.
1	2		DA93-01073A	ASSY DOOR SUB-REF DOOR MODULE; BRB26*,SLI	SNA	1
1-1	3	Z1100	DA91-05498C	ASSY DOOR FOAM-REF; BRB6000,SNOW WHITE,N,	SA	1
1-1-1	4		DA97-22095C	ASSY PLATE DOOR-REF; BRB6000,BRB26,SLIDE	SNA	1
1-1-1-1	5		DA97-17245D	ASSY CAP DOOR-REF UP; BRB6000M,vendor ass	SNA	1
1-1-1-1-1	6	A0534	DA61-03769B	MAGNET; SVETA,FERRITE,-,-,-,1600Gauss	SA	1
1-2	3		DA97-22138A	ASSY GASKET-REF; BRB6000,BRB26, GRAY, W48	SA	1
2	2		DA93-01074C	ASSY DOOR SUB-FRE DOOR MODULE; BRB26*,SLI	SNA	1
2-1	3	M0063	DA91-05500D	ASSY DOOR FOAM-FRE; BRB6000,SNOW WHITE,N,	SA	1
2-1-1	4		DA97-17238C	ASSY PLATE DOOR-FRE; BRB6000M,SNOW WHITE,	SNA	1
2-1-1-1	5	A0047	DA97-17237C	ASSY CAP DOOR-FRE LOW; BRB6000M, Vendor as	SNA	1
2-1-1-1-1	6	A0534	DA61-03769B	MAGNET; SVETA,FERRITE,-,-,-,1600Gauss	SA	1
2-1-1-1-2	6		DA67-02795C	CAP-SHAFT HOLE; AW3,ABS,-,-,HG-0760GP,SNO	SA	1
2-2	3		DA97-22135A	ASSY GASKET-FRE; BRB6000,GRAY, W484.8, H5	SA	1
3	1	A0166	DA90-13042B	ASSY GUARD; BRB26*,GRAY	SNA	1
3-1	2	A0656	DA63-07346A	TRAY EGG; 3050,GPPS,-,L157.7,HB,HH104,-,T	SA	1
3-2	2	A0151	DA63-08624B	GUARD BOTTLE; BRB6000A,GPPS,T3,TP GRAY	SA	1
3-3	2	A0153	DA63-09093B	GUARD VARIETY; BRB6000A,GPPS,T3,TP GRAY	SA	4
3-4	2	M0447	DA63-11306B	GUARD-REF UP; BRB6000A,GPPS,T3,TP GRAY	SA	1
4	2		DA67-04054B	CAP HINGE; BK PJT,ABS,T1.2,HB,HG-0760GP,S	SA	1

6. LOKRING_1

LOKRING_1

Exploded View



7. LOKRING_2

LOKRING_2

Exploded View

PART	NO	SVC LOKRING				SAMSUNG LOKRING PART
		PART LOCATION	PIPE 사양	Article No.	SPEC	
COMP	1	PROCESS TUBE	6.35 C 6.35	L13000588	6 NK Ms 00	DA81-06412A
	2	SUCTION	7.94 C 6.35	L13000654	8/6 NR Ms 00	DA81-06416A
	3	DISHARGE	6.35 C 4.76	L13000630	6/5 NR Ms 00	DA81-06413A
COND	4	COND OUT	4.76 C 4.76	L13000622	5/4 NR Ms 00	DA81-06411A
CLUSTER	5	CLUSTER OUT	4.2 C 4.2	L13000584	4 NK Ms 00	DA81-06406A
PIPE HOT	6	PIPE HOT - OUT	4.2 C 5.0	L13000622	5/4 NR Ms 00	DA81-06411A
SVC DRYER	7	SVC DRYER OUT	5.0 C 1.8	L13000930	5/1.8 NR Ms 00	DA81-06407A
VALVE	8	VALVE OUT	2.8 C 1.9	L13005939	2.8/2 NR Ms 00	DA81-06403A
	9	VALVE OUT 2	3.0 C 2.05	L13005939	2.8/2 NR Ms 00	DA81-06403A
CAPI F	10	CAPI OUT	2.05 C 8.5	L13000930	5/1.8 NR Ms 00	DA81-06407A
EVAP F	11	EVAP F OUT	8 C 6.35	L13000654	8/6 NR Ms 00	DA81-06416A
CAPI R	12	CAPI OUT	1.8 C 6.35	L13002334	6/1.8 NR Ms 00	DA81-06419A
EVAP R	13	EVAP R OUT	6.35 C 6.35	L13000588	6 NK Ms 00	DA81-06412A

PROJECT	PART NAME	PART NUMBER	USE
BRB6000	PROCESS TUBE	DA81-01184F	COMMON
	DRYER	DA81-06007B	COMMON
	UNIVERSAL CONNECT	DA81-06436A	COMMON
	ASSY EVAP FRE	DA82-03990A	SVC
	ASSY EVAP CONV	-	-
	ASSY EVAP REF	-	-
	PIPE CONNECT SUCTION	DA62-05667A	BRB6000