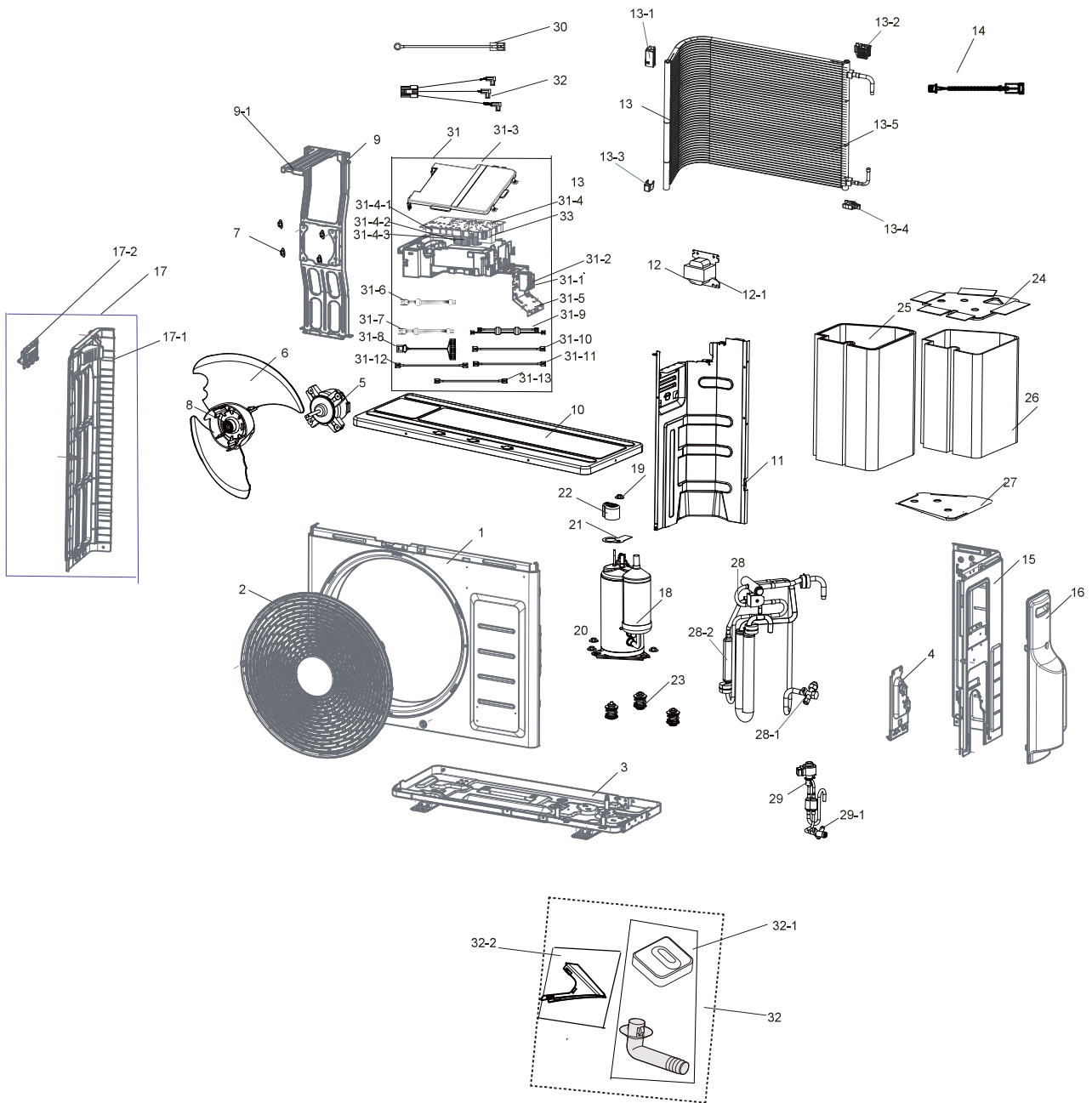


■ OUTDOOR UNIT

AR12JSFSBURXET



## AR12JSFSBURXET

No.	Parts No	Description	SPEC.	Q'ty	SA/SNA
1	DB90-07761D	ASSY CABI FRONT	AR09JSFSMWKXFA,NEW-WW1	1	SA
2	DB63-03519A	GUARD COND	F-XS-02,MSWR-SWRM,EARTH BROWN	1	SA
3	DB90-07750C	ASSY BASE OUT	A3050 F-XS-02(WW1),COMP 44F	1	SA
4	DB61-04339C	BRACKET-VALVE	GL-SAZCC,T1.0,200.9,-,SSEC	1	SA
5	DB31-00642A	MOTOR BLDC FAN	SIC-67FV-F139-1(A),1000,310V,0.5,55	1	SNA
6	DB67-01407A	FAN PROPELLER	PP+GF20%+PD20%	1	SA
7	6009-001001	SCREW-SPECIAL	TH,+ WT.M4.L10.ZPC(WHT),SWRCH18A	2	SNA
8	DB60-00437A	FASTENER-NUT FLANGE	SWRCH10A	1	SA
9	DB90-07834B	ASSY BRACKET MOTOR	AC035HCADKH/EU,SSEC	1	SA
9-1	DB61-05815A	BRACKET MOTOR	F-XS-02,GI-SGCC,T1.0-	1	SNA
10	DB90-07759A	ASSY CABI TOP	AR12FSSDAWKXFA,SSEC	1	SA
11	DB94-04147A	ASSY PARTITION	AR12FSSDAWKXFA,SSEC	1	SA
12	DB27-00041B	COIL CHOKE	Forte,5mH,10%,120mOHM,.	1	SA
12-1	2301-001935	C-FILM LEAD	22nF,20%,300V,BK,18x7x13.5mm	4	SNA
13	DB96-21020A	ASSY COND BENDING	AR12HSFSBURxET,NEW-WW1	1	SNA
13-1	DB61-05861A	HOLDER COND-LOW	F-XS-01,PP,EARTH BROWN,-,TB52U	1	SNA
13-2	DB61-05862A	HOLDER COND-LOW	F-XS-01,PP,EARTH BROWN,-,TB52U,FMC LF	1	SNA
13-3	DB61-05999A	HOLDER COND-UP	F-XS-01,PP,EARTH BROWN,-,TB52U,FMC LF	1	SNA
13-4	DB61-06170A	HOLDER COND-UP	F-XS-02,PP,EARTH BROWN,-,TB52U	1	SNA
13-5	DB96-21040A	ASSY COND SUB	NEW 6-TURN WW,HYBRID COATING	1	SNA
14	DB95-05164A	ASSY THERMISTOR OUT	103AT,6P,600/280/760,UL1007,24,6	1	SA
15	DB90-07736A	ASSY CABI SIDE-RIGHT	AR12FSSDAWKXFA,SSEC	1	SA
16	DB90-07201F	ASSY COVER CONTROL	AQV09PSCXEUR,SSEC,ASSY	1	SA
17	DB90-08040A	ASSY CABI SIDE-LEFT	N-WW1,A3050,F-XS-02,GI-SGCC	1	SA
17-1	DB64-03082A	CABINET SIDE-LEFT	A3050,F-XS-02,GI-SGCC,T0.6,-,SSEC	1	SNA
17-2	DB64-00992C	HANDLE-LF	PP weatherability,SSEC	1	SA
18	UG9A090LNAERSS	RCP,R410A	-	1	-
19	6021-001142	NUT-HEXAGON FLANGE	M5,ZPC(WHT),SWRCH10A,SERRATION	1	SA
20	DB60-30028A	NUT-FLANGE	HWH,M8,ZPC(WHT),SWRCH18A,	3	SA
21	DB63-00817B	GASKET	A/C model,SIR,T0.8,26.0,L80,A/C model use	1	SA
22	DB63-02310A	COVER TERMINAL	SABIC N1250,2.5,-,BLACK,N1250,no OLP	1	SA
23	DB63-03386A	GROMMET ISOLATOR	NR,33,11.5,34,BLACK	3	SA
24	DB63-03394A	FELT-COMP TOP OUT	AR12FSFNAWKXFA,FELT+PVC,T5+T1.6,195,195	1	SA
25	DB63-02320A	FELT-COMP OUT	AR09HSFSAWKXET,FELT+PVC,T5+T1.5,645,310	1	SA
26	DB63-02621A	FELT-COMP SIDE	KFR-25W/BPS,PVC+FELT,T5+T1.5+T5,267,531	1	SNA
27	DB63-02845A	FELT-COMP BASE	WW1 INV,FELT,T8	1	SA
28	DB96-19333C	ASSY TUBE 4WAY	AR12JSFSBURNET,AR5000S	1	SA
28-1	DB62-02284A	VALVE SERVICE-SPINDLE	,3/8",R410A, FLARE	1	SA
28-2	DB96-06998F	ASSY-SOLENOID COIL	WW3,SSEC	1	SA
29	DB96-18837A	ASSY TUBE EEV	AR12FSSDAWKXFA,SSEC	1	SA
29-1	DB62-04266A	VALVE EXPAN	SUS,1.4,500	1	SA
30	DB93-14275A	ASSY CONNECTOR WIRE-POWER	2,1015,22,BRN,YH396-03VR/BLU,	1	SA
31	DB93-14201C	ASSY CONTROL OUT	HP,INV,9K,-----	1	SNA
31-1	DB65-00274A	TERMINAL BLOCK	TERMINAL BLOCK,2-TAB 2-SCREW,B Type	1	SA
31-2	DB65-00298B	TERMINAL BLOCK	11R RAC-INVERTER,P.B.T + G30	1	SA
31-3	DB90-07833B	ASSY CASE CONTROL	AR09HSSDAWKXEU,A3050,SSEC	1	SA
31-4	DB92-02862A	ASSY MODULE	STD #4 SMPS,A3050,16W	1	SA
31-4-1	DB27-00097A	COIL CHOKE	CC-35-15SS,SI,3.5mH,+50~-30%	1	SNA
31-4-2	DB92-02866A	ASSY PCB MAIN	OUTDOOR,A3050,197*142,PF#2	1	SA
31-4-3	DB94-04085A	ASSY PCB SMD	OUTDOOR,A3050,197*142,PF#2,DB92-02866A	1	SNA
31-5	DB61-05836A	PLATE CONTROL	F-XS-02,GI-SGCC,T0.6-	1	SNA
31-6	DB93-12121A	ASSY CONNECTOR WIRE-EARTH WIRE	1,1015,18,YEL/GRN,173724-1	1	SA
31-7	DB93-11244A	ASSY CONNECTOR WIRE	3,1331,16,RED,MG615042/WHT	1	SA
31-8	DB93-09495J	ASSY CONNECTOR WIRE	2,1015,14,BRN,175022-1,	1	SA
31-9	DB93-14285A	ASSY CONNECTOR WIRE-COMM	2,1007,22,RED,YH396-02AVR/RED	1	SA
31-10	DB93-09493C	ASSY CONNECTOR WIRE	2,1015,16,WHT,DBT081-02P/WHT	1	SA
31-11	DB93-09497E	ASSY CONNECTOR WIRE	3,1015,16,RED,MG625040/WHT	1	SA
31-12	DB93-14276A	ASSY CONNECTOR WIRE-DC SIGNAL	3,1007,22,BLK,SMH250-03L/RED	1	SA
31-13	DB93-14277A	ASSY CONNECTOR WIRE-DC SIGNAL	3,1007,22,BLK,SMH250-03L/BLU	1	SA
32	DB97-02066C	ASSY ACCESSORY	HP,NO,18000,NO,-,N,SH18AW6X	1	SA
32-1	DB67-20011A	DRAIN-PLUG OUT	ASH-1814ER,PP,WHITE	1	SA
32-2	DB73-20134A	RUBBER-LEG	V2-MD,NR,55	4	SA
33	DB82-02340A	ASSY-EEPROM OUT	AR12JSFSBURXET,ET,NEW PF#2,DB92	1	SA