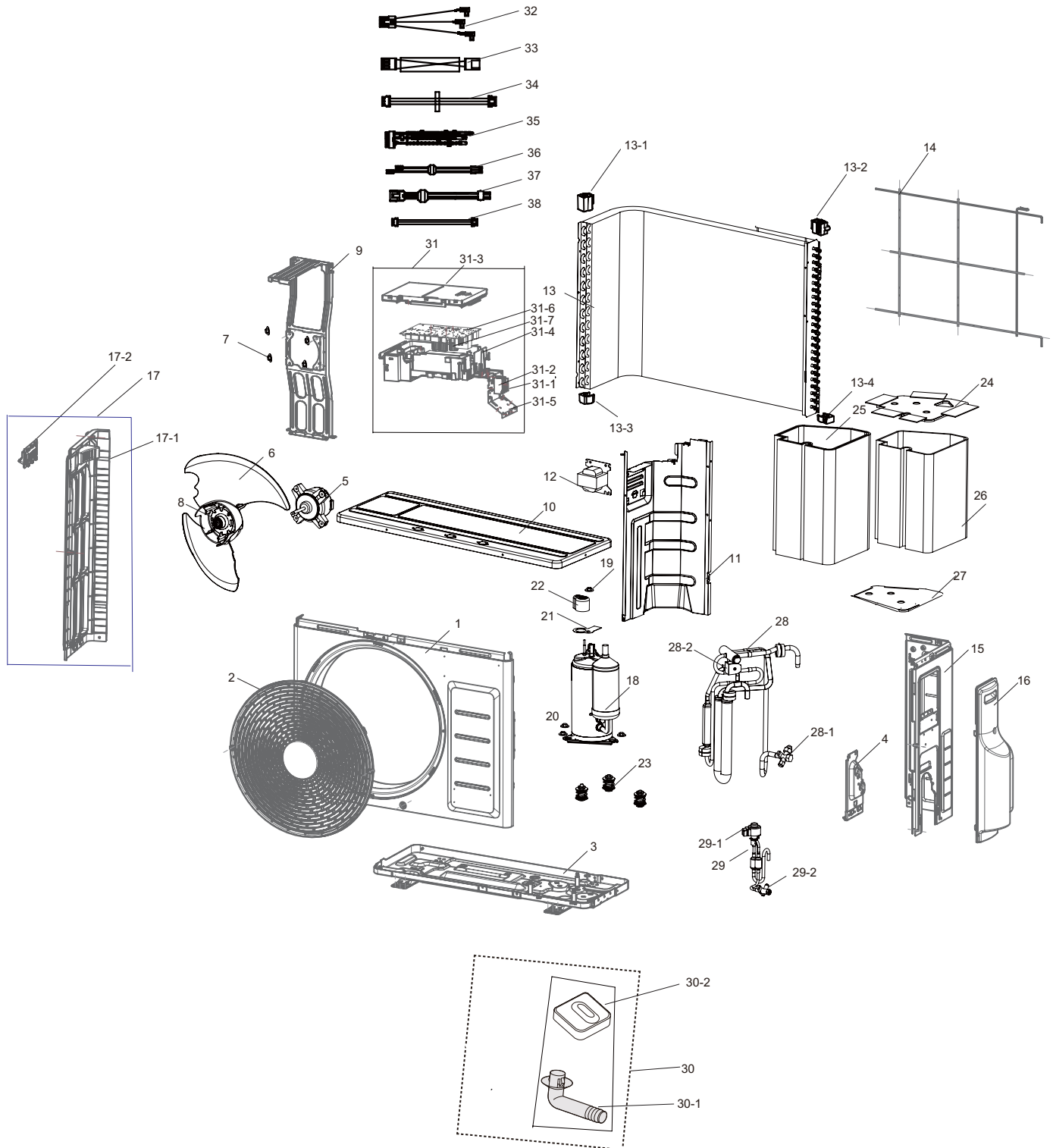


■ OUTDOOR UNIT

AR12HSFSAWKXZE



AR12HSFSAWKXZE

No.	CodeNo.	Description	Q'ty	SA/SNA
			AR12HSFSAWKXZE	
1	DB90-07761A	ASSY CABI FRONT	1	SA
2	DB63-03499A	GUARD FAN	1	SA
3	DB90-07750C	ASSY BASE OUT	1	SA
4	DB61-04339C	BRACKET-VALVE	1	SA
5	DB31-00642A	MOTOR BLDC FAN	1	SNA
6	DB67-01407A	FAN PROPELLER	1	SA
7	6009-001001	SCREW-SPECIAL	2	SNA
8	DB60-00437A	FASTENER-NUT FLANGE	1	SA
9	DB61-05815A	BRACKET MOTOR	1	SA
10	DB90-07759A	ASSY CABI TOP	1	SA
11	DB94-04147A	ASSY PARTITION	1	SA
12	DB27-00041B	COIL CHOKE	1	SA
13	DB96-18468A	ASSY COND	1	SNA
13-1	DB61-05999A	HOLDER COND-UP	1	SA
13-2	DB61-06001A	HOLDER COND-UP	1	SA
13-3	DB61-05861A	HOLDER COND-LOW	1	SNA
13-4	DB61-05862A	HOLDER COND-LOW	1	SNA
14	DB63-03519A	GUARD COND	1	SA
15	DB90-07736A	ASSY CABI SIDE-RIGHT	1	SA
16	DB90-07201F	ASSY COVER CONTROL	1	SNA
17	DB90-08040A	ASSY CABI SIDE-LEFT	1	SA
17-1	DB64-03082A	CABINET SIDE-LEFT	1	SNA
17-2	DB64-00992C	HANDLE-LF	1	SA
18	UG9A090FUAERSS	RCP,R410A	1	SA
19	6021-001142	NUT-HEXAGON FLANGE	1	SNA
20	DB60-30028A	NUT-FLANGE	3	SNA
21	DB63-00817B	GASKET	1	SA
22	DB63-02310A	COVER TERMINAL	1	SA
23	DB63-03386A	GROMMET ISOLATOR	3	SA
24	DB63-03394A	FELT-COMP TOP OUT	1	SNA
25	DB63-02320A	FELT-COMP OUT	1	SNA
26	DB63-02341A	FELT-COMP SIDE	1	SNA
27	DB63-02845A	FELT-COMP BASE	1	SA
28	DB96-19457A	ASSY TUBE 4WAY	1	SA
28-1	DB62-02284A	VALVE SERVICE-SPINDLE	1	SA
28-2	DB96-06998F	ASSY-SOLENOID COIL	1	SA
29	DB96-18837A	ASSY TUBE EEV	1	SA
29-1	DB62-04266A	VALVE EXPAN	1	SA
29-2	DB62-02283A	VALVE SERVICE-SPINDLE	1	SNA
30	DB97-02066C	ASSY ACCESSORY	1	SA
30-1	DB67-20011A	DRAIN-PLUG OUT	1	SNA
30-2	DB73-20134A	RUBBER-LEG	4	SA
31	DB93-14201C	ASSY CONTROL OUT	1	SNA
31-1	DB65-00274A	TERMINAL BLOCK	1	SA
31-2	DB65-00298B	TERMINAL BLOCK	1	SA
31-3	DB90-07729A	ASSY COVER CONTROL-UP	1	SA
31-4	DB90-07833A	ASSY CASE CONTROL	1	SA
31-5	DB61-05836A	PLATE CONTROL	1	SNA
31-6	DB92-02866A	ASSY PCB MAIN	1	SA
31-7	DB92-02862A	ASSY MODULE	1	SA
32	DB93-11244A	ASSY CONNECTOR WIRE	1	SA
33	DB93-14275A	ASSY CONNECTOR WIRE-POWER	1	SA
34	DB93-14276A	ASSY CONNECTOR WIRE-DC SIGNAL	1	SA
35	DB95-05164A	ASSY THERMISTOR OUT	1	SA
36	DB93-09493C	ASSY CONNECTOR WIRE	1	SA
37	DB93-09497E	ASSY CONNECTOR WIRE	1	SA
38	DB93-14277A	ASSY CONNECTOR WIRE-DC SIGNAL	1	SA