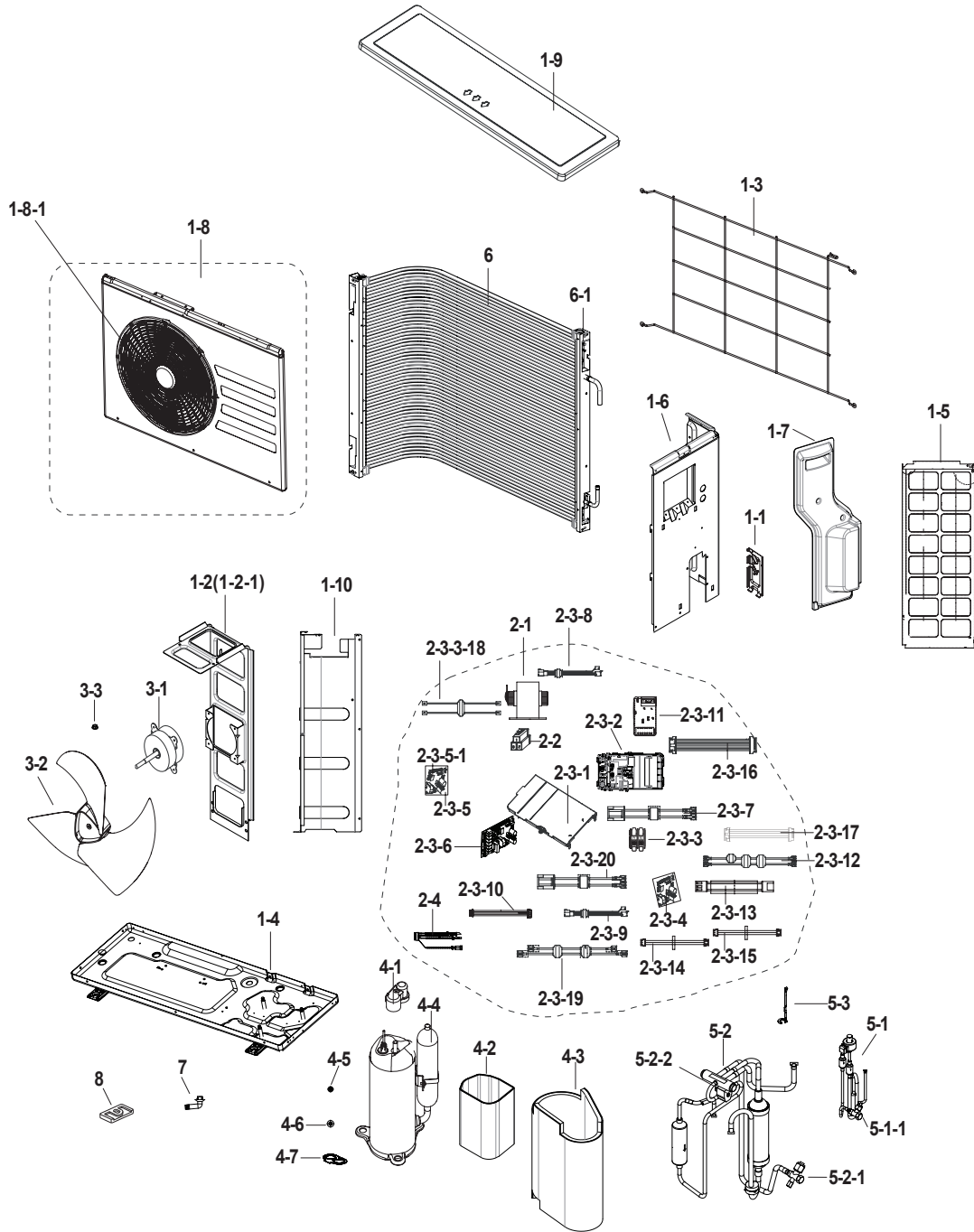


Outdoor unit

■ AC018JXADCH/AA



■ Parts List : AC018JXADCH/AA

No.	Code No.	Description	Specification	Q'TY	SA/SNA
1	DB90-08812A	ASSY CABI OUT PARTS	AC018JXADCHA/AA,SSEC	1	SNA
1-1	DB61-05432B	BRACKET-VALVE PAINTING	P/Q,GI-SGCC,1,5,1	1	SA
1-2	DB90-08338A	ASSY BRACKET MOTOR	AC052HCADKH/EU,SSEC	1	SA
1-2-1	DB61-05885A	BRACKET MOTOR	F-XS-04,GI-SGCC,T1.2,-	1	SA
1-3	DB63-03402A	GUARD-COND BAR	VIVACE,Q195,EARTH BROWN(G	1	SA
1-4	DB90-07169W	ASSY BASE OUT	AC052HCADKE/EU	1	SA
1-5	DB90-07172D	ASSY CABI LF	AR18FCSNAWK/AF,Q FMC,GY0180	1	SA
1-6	DB90-07173T	ASSY CABI SIDE-RH	AC018JXADCH/AA,NASA	1	SA
1-7	DB90-07459E	ASSY COVER-VALVE	AR18FSFTJWQXEU,SSEC,ASS	1	SA
1-8	DB90-07180V	ASSY CABI FRONT	AR18HSFSAWKNEU,GY0180,SS	1	SA
1-8-1	DB63-03657A	GUARD FAN	PP,EARTH BROWN	1	SA
1-9	DB90-07183J	ASSY CABINET-UP	MH080FXEA4A,SSEC	1	SA
1-10	DB94-03483A	ASSY PARTITION	RJ052F3HXEA	1	SA
2	DB93-15444A	ASSY CONTROL OUT PARTS	4TUK4518A10N0A,NA	1	SNA
2-1	DB27-00100A	COIL HARMONIC	5mH,76.8*75.2	1	SA
2-2	DB93-11274B	ASSY CONNECTOR WIRE-COMP OUT	3,3343,14,R	1	SA
2-3	DB92-03598A	ASSY KIT	OUTDOOR,PF#3,English Caution La	1	SNA
2-3-1	DB61-04910A	CASE CONTROL-UPPER	Q CHASSIS,ABS,DARK GR	1	SA
2-3-2	DB61-05917A	CASE CONTROL	ABS,BLACK,VE-0858	1	SA
2-3-3	DB65-00274A	TERMINAL BLOCK	TERMINAL BLOCK,2-TAB_2-SC	1	SA
2-3-4	DB92-02862A	ASSY MODULE	STD #4 SMPS,A3050,16W (5V 28	1	SA
2-3-5	DB92-02867K	ASSY PCB MAIN	INVERTER,AC018JXADCHA/AA,1	1	SA
2-3-5-1	3501-001268	RELAY-POWER	12V,0.9W,25000mA,1FormA,20ms	1	SA
2-3-6	DB92-03210A	ASSY PCB SUB	SUB,AC052HB1DBC1,100*48.5	1	SA
2-3-7	DB93-10821C	ASSY CONNECTOR WIRE-4WAY CONNECT	2,1015,	1	SA
2-3-8	DB93-10905B	ASSY CONNECTOR WIRE-COMP	3,1015,14,RED,M	1	SA
2-3-9	DB93-10906C	ASSY CONNECTOR WIRE-OUT EARTH	1,1015,18,	1	SA
2-3-10	DB93-10943H	ASSY CONNECTOR WIRE	10,1007,26,RED,SMH20	1	SA
2-3-11	DB93-12483A	ASSY PCB SUB-EEPROM	SUB,DVMPPLUS4 UP,20*2	1	SA
2-3-12	DB93-13997A	ASSY CONNECTOR WIRE-REACTOR	2,1015,14,YE	1	SA
2-3-13	DB93-14275B	ASSY CONNECTOR WIRE-POWER	2,1015,18,BRN,	1	SA
2-3-14	DB93-14276A	ASSY CONNECTOR WIRE-DC SIGNAL	3,1007,22,	1	SA
2-3-15	DB93-14277A	ASSY CONNECTOR WIRE-DC SIGNAL	3,1007,22,	1	SA
2-3-16	DB93-14542A	ASSY CONNECTOR WIRE-DISPLAY	10,1007,26,R	1	SA
2-3-17	DB93-14543A	ASSY CONNECTOR WIRE-DC SIGNAL	5,1007,26,	1	SA
2-3-18	DB93-05434E	ASSY CONNECTOR WIRE-SN	2,1015,18,BRN,ST7	1	SA
2-3-19	DB93-09495J	ASSY CONNECTOR WIRE	2,1015,14,BRN,175022	1	SA
2-3-20	DB93-10808H	ASSY CONNECTOR WIRE-COMM	2,1015,22,RED,Y	1	SA
2-4	DB95-05268A	ASSY THERMISTOR OUT	103AT,6P,450/500/800	1	SA
3	DB94-04493A	ASSY FAN OUT PARTS	SSEC	1	SNA
3-1	DB31-00642A	MOTOR BLDC FAN	SIC-67FV-F139-1(A),1000,3	1	SA
3-2	DB67-01408A	FAN PROPELLER	SAN+GF20%	1	SA
3-3	DB60-00437A	FASTENER-NUT FLANGE	SWRCH10A	1	SA
4	DB95-05332A	ASSY COMP PARTS	AC052HCADKE/EU,SSEC	1	SNA
4-1	DB63-02312A	COVER TERMINAL	39F,44F,48F,SABICN1250,2.	1	SA
4-2	DB63-02343A	FELT-COMP SIDE OUT	-,FELT+PVC,T5+T1.6,37	1	SA
4-3	DB63-02344A	FELT-COMP SIDE	-,FELT+PVC,T10+T1.6,265,6	1	SA
4-4	UG4T150LNBEQ	RCP,44 TWIN A INV,L,R410A		1	SA
4-5	6021-001142	NUT-HEXAGON FLANGE	M5,ZPC(WHT),SWRCH10A,	1	SA
4-6	DB60-30028A	NUT-FLANGE	HWH,M8,ZPC(WHT),SWRCH18A,P1.2	3	SA
4-7	DB63-01416C	GASKET	A/C model,SIR,T1.2,25.0,L55,A/C m	1	SA

■ Parts List : AC018JXADCH/AA

No.	Code No.	Description	Specification	QTY	SA/SNA
5	DB96-20061A	ASSY TUBE OUT PARTS	AC052HCADKE/EU,SSEC	1	SNA
5-1	DB96-20086A	ASSY TUBE EEV	AC052HCADKH/EU,SSEC	1	SA
5-1-1	DB62-09652A	VALVE SERVICE	„1/4“,R410A , FLARE	1	SA
5-2	DB96-20087A	ASSY TUBE 4WAY-VALVE	AC052HCADKH/EU,SSEC	1	SA
5-2-1	DB62-09656A	VALVE SERVICE-SPINDLE	„1/2“,R410A, FLAR	1	SA
5-2-2	DB96-06998G	ASSY-SOLENOID COIL	MH080,ASSY,L370	1	SA
5-3	DB81-00635A	SPRING ETC-SENSOR	DVM-SYSTEM,STS304,R2.5	2	SA
6	DB96-20062A	ASSY COND PARTS	AC052HCADKE/EU,SSEC	1	SNA
6-1	DB96-19010B	ASSY COND BENDING	AR18HSFSAWKXEU,Q FMC	1	SA
7	DB67-20011A	DRAIN-PLUG OUT	ASH-1814ER,PP,WHITE	1	SA
8	DB73-20134A	RUBBER-LEG	V2-MD,NR,55	4	SA