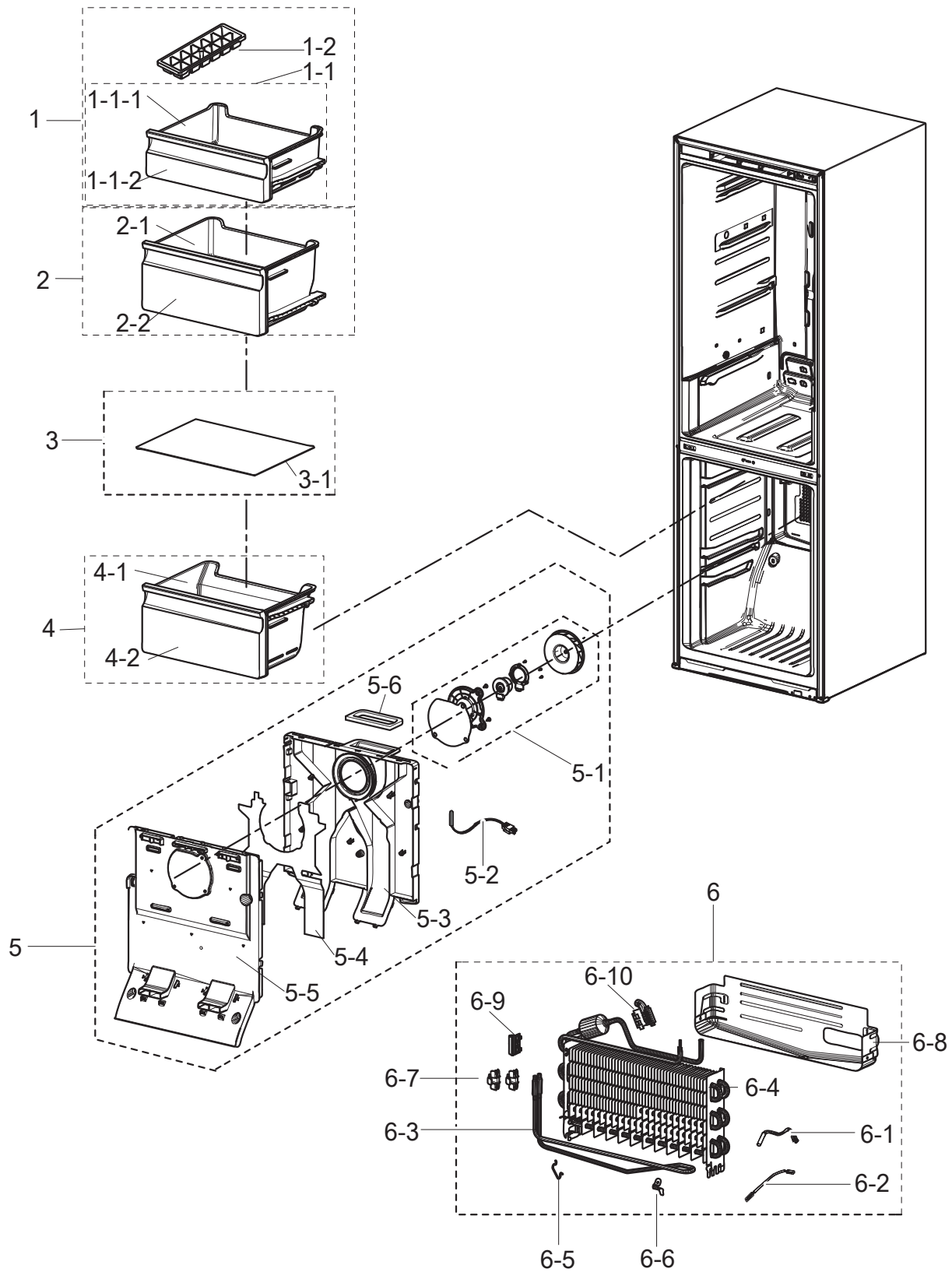


# EXPLODED VIEW PART LIST

## Freezer



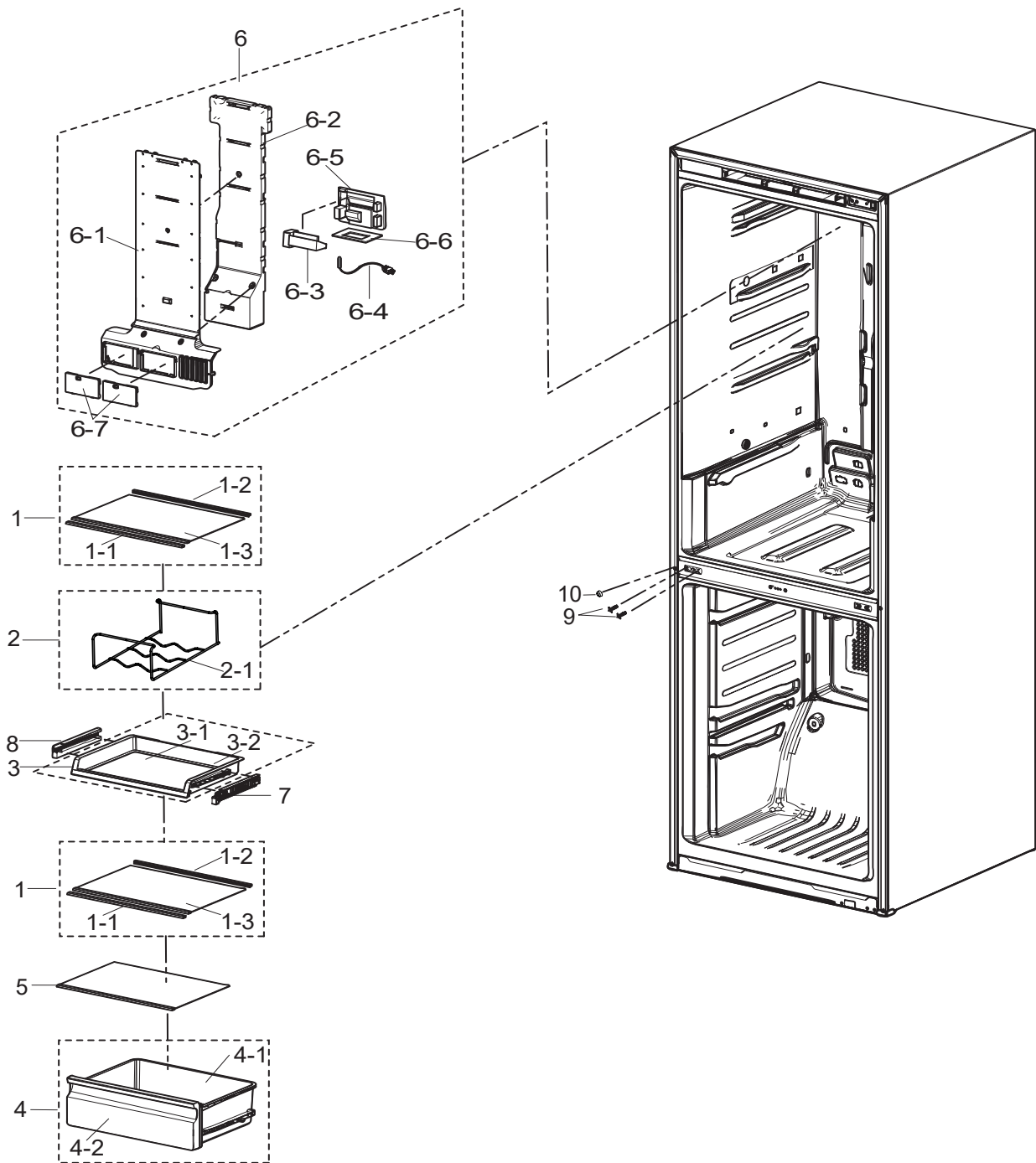
# EXPLODED VIEW PART LIST

## • Parts List of Freezer

NO	CODE NO	PART NAME	Specification	Quantity	SA/SNA
1	DA97-15776A	ASSY TRAY-UP	ASSY	1	SNA
1-1	DA97-13480A	ASSY TRAY-FRE UPP	3050,W479.1,L394.3	1	SA
1-1-1	DA63-07432A	TRAY FRE-UPP	3050,PP,HB,COOL WHITE	1	SNA
1-1-2	DA97-13679A	ASSY COVER-TRAY FRE UPP	3050 BMF,TRANSPARENCY,ASSY	1	SNA
1-2	DA67-40146B	TRAY ICE-ICE MODULE	SR-1500,PP,HB,COOL WHITE	1	SA
2	DA97-13472A	ASSY TRAY-FRE MID	3050,W466.3,H227.0	1	SA
2-1	DA63-07431A	TRAY FRE-MID	3050,PP,HB,COOL WHITE,EP448T	1	SNA
2-2	DA97-13680A	ASSY COVER-TRAY FRE MID	3050 BMF,TRANSPARENCY,ASSY	1	SNA
4	DA97-13475A	ASSY TRAY-FRE LOW	3050,W466.2	1	SA
4-1	DA63-07428A	TRAY FRE-LOW	3050,PP,HB,COOL WHITE,EP448T	1	SNA
4-2	DA97-13680A	ASSY COVER-TRAY FRE MID	3050 BMF,TRANSPARENCY,ASSY	1	SNA
5	DA97-13570A	ASSY COVER EVAP-FRE	3050,NATURAL	1	SA
5-1	DA31-00334C	MOTOR BLDC FAN	12035GE-12M-YT,1775±7%,12V,190mA±15% (LABEL:0.26A),2.28W,HB,-40°C-40°C	1	SA
5-2	DA32-10105X	SENSOR TEMP	QUEEN PJT,-40-120°C,5V,F-SENSOR,YELLOW,450mm	1	SA
5-3	DA63-07425A	COVER EVAP-REAR	3050_BMF,PP,HB,NATURAL,EP448T	1	SNA
5-4	DA62-04127A	SEAL-COVER EVAP FRONT	3050_BMF,PE FOAM,T2,THE REAR ADHESION	1	SNA
5-5	DA63-07424A	COVER EVAP-FRONT	3050_BMF,PP,HB,NATURAL,EP448T	1	SNA
5-6	DA62-03935B	SEAL-COVER EVAP REAR HIGH	3050_BMF,PE OPEN CELL,T5,W146,L72,THE REAR ADHESION	1	SNA
6	DA96-01009E	ASSY EVAP-FRE	3050-BMF,Fin Tube,230V,140W	1	SA
6-1	DA32-00006D	SENSOR TEMP	F DEF-SENSOR,L250,200kohm,1%,25C,7phi	1	SA
6-2	DA47-00301D	THERMO FUSE-ASSY	AC250V,10A,109-110°C,S.O.D,ETC(WIRE)	1	SA
6-3	DA47-00460J	HEATER METAL SHEATH	AC230V,3050-BMF FRE,377.8ohm,140W,INCOLOY840,984mm,BIMETAL,35965-9213,MG611532T,MgO	1	SA
6-4	DA59-00555A	EVAP FRE	Fin Tube,3050-PJT,2,A1070,8,A1100,60,28	1	SNA
6-5	DA61-02526A	FIXER-EVAP FRE,SUB	NEXT,Al,T2,730	1	SNA
6-6	DA61-03644A	PLATE-EVAP HEATER	AW-PJT,Al,T0.7	1	SA
6-7	DA61-07410A	FIXER-HEATER FRE	NW2,PP,NATURAL,BJ750	2	SA
6-8	DA61-08936A	PLATE-DRAIN	3050,GI-SGCC,T0.3	1	SA
6-9	DA61-07411A	FIXER-FUSE	NW2,PP,NATURAL,BJ750	1	SA
6-10	DA61-00603A	FIXER SENSOR	n-PJT,PP,T2,NATURAL,BJ750	1	SA

# EXPLODED VIEW PART LIST

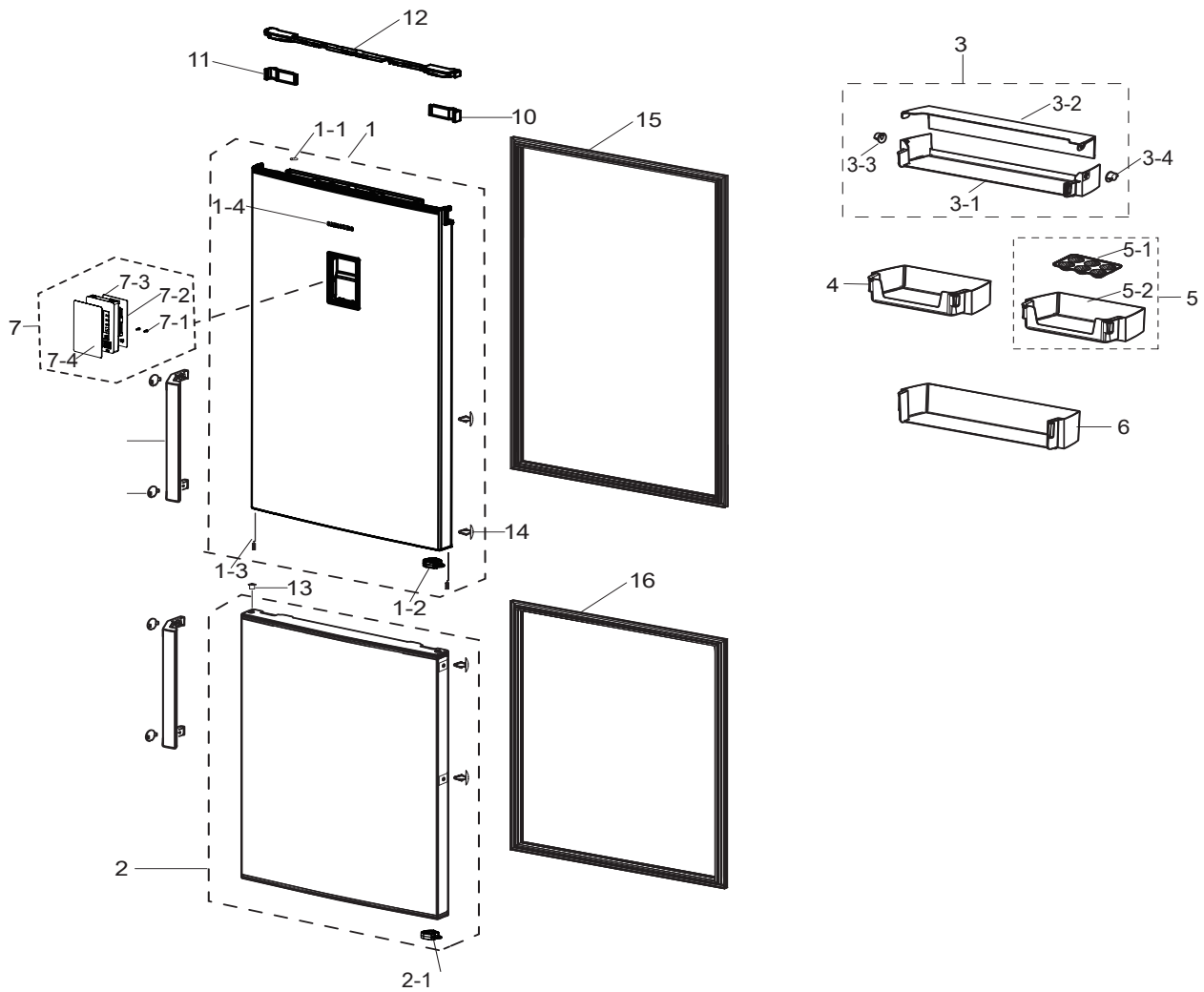
## Fridge





# EXPLODED VIEW PART LIST

## Door







# EXPLODED VIEW PART LIST

## • Parts List of Cabinet

NO	CODE NO	PART NAME	Specification	Quantity	SA/SNA
1	NI34N9802ADWBC	CMP,COMP,REFRIGERATOR,R600A	0	1	-
1-2	DA63-02617C	GROMMET COMP	NN34J9902AP,IIR,BLACK,H28.3, L21.3	4	SA
1-3	6011-001546	BOLT-HEX	M5(P0.8),L16,ZPC(WHT),HWH,+,SWRCH18A,IND Type C	4	SC
1-4	DA63-09465A	COVER RELAY	S3,PC,T2,5VB,BLACK,EF1006F	1	SA
2	DA63-06630B	TRAY DRAIN-WATER	3050BMF(A1 COMP),PP+TD30%,HB,NATURAL,TB53	1	SA
3	DA97-13649C	ASSY PIPE IMMERSING	3050 S3 COMP,TSW,-,-,-,-,-	1	SA
4	DA62-01469H	DRYER	C1220T-H,115,SINGLE MOUTH	1	SA
5	DA63-07475A	GROMMET-IMMERSION PIPE D	3050_LMF,NBR,20,BLACK,vibration-proofint	1	SNA
6	DA39-20389A	ASSY WIRE HARNESS-EARTH	EARTH,ALL,FREE VOLT,UL+IEC,UL,300mm,1,ST710489-3*2,-	1	SA
7	DA73-00050G	PIPE-CONN	Cu,OD6.35,T0.6	1	SA
8	DA62-03095B	PIPE CONNECT-SUCTION	3050-PJT FOR S3 COMP,Cu,OD6.35,T0.6,-,-,-,C1220T-O	1	SA
9	DA32-10105F	SENSOR TEMP	ACE,-40~120,5V,TPA APPLIED,WHITE,250	1	SA
10	3903-001011	POWER CORD-AT	H05VV-F 3x0.75mm2,BLK,ZA3F,250V/16A,Fuse N,SCREW 1,2P Housing(W to W),L1700,L1500,20/100/100/150,ZAF,SABS,Label Y	1	SA
11	DA97-13562A	ASSY COVER-PCB PANEL	290, 310,G1,3050	1	SA
11-1	DA63-07420A	COVER-PCB PANEL	BMF,G1-SGCC,T0.5,3050	1	SNA
12	DA97-13557B	ASSY HINGE LOW	3050(BMF)	1	SA
12-1	DA61-08990A	HINGE-LOW	3050PJ,PO-SPHC,T3,-,-,LMF	1	SA
12-2	DA61-08991B	GUIDE-AUTO CLOSE	3050PJ,ABS,HB,HG-0760GP,EBONY BLACK,LMF	1	SA
12-3	DA66-00385A	SHAFT-HINGE	CORE,SWRCH10A,L17,OD6,T6,ZPC3(WHT)	1	SNA
12-4	DA81-01532A	SCREW-MACHINE	BH,+,M5,L12.7,ZPC(WHT),SWRCH18A,1	2	SA
13	DA61-09392A	LEG-FRONT	NCA-PJT,PP,BLACK	2	SA
14	DA97-13564A	ASSY HINGE MID	3050_BMF	1	SA
15	DA63-08570A	COVER LAMP	3050-BMF,SBC,T2,HB,NATURAL,KR01	1	SA
16	DA61-08932A	CAP CONTROL-PANEL	3050,ABS,HB,HG-0760GP,INOX GRAY,GY0034	1	SA
17	DA63-07384A	COVER WIRE-HINGE R	3050,ABS,T1.5,HB,INOX GRAY,ABS2100,GY0034	1	SA
18	DA63-07385A	COVER WIRE-HINGE L	3050,ABS,T1.5,HB,INOX GRAY,ABS2100,GY0034	1	SA
19	DA97-13131A	ASSY COVER CONTROL-PANEL	3050PJT,ASSY,INOX Gray(GY0034)	1	SA
19-1	DA63-07352A	COVER-CONTROL PANEL	3050,ABS,HB,INOX GRAY,ABS2100,GY0034, internal display	1	SA
19-4	DA34-00043J	SWITCH REED	UL1007 AWG 22,50mm	1	SA
20	DA97-13567A	ASSY HINGE UPP	3050_BMF	1	SA
20-1	DA97-13566A	ASSY HINGE UPP-SUB	3050_BMF	1	SNA
20-2	DA66-00385A	SHAFT-HINGE	CORE,SWRCH10A,L17,OD6,T6,ZPC3(WHT)	1	SNA
21	DA41-00519R	ASSY LAMP LED	3ea,CEM-1,65*10*1.6T,WHITE,SMAW250-03G or-H03G,45mA~75mA,DC12V,MIN 25lx	1	SA
22	DA60-00279A	FITTING-LOKRING 16	SUM23,16, 11SMnPb30K	1	SA
23	DA60-00280A	FITTING-LOKRING 33	SUM23,ID3/16,33, 11SMnPb30K	1	SA
24	DA60-00281A	FITTING LOCK SLEEVE	SUM23,ID5.02,11SMnPb30K,St 56	1	SA
25	DA92-01231H	ASSY PCB MAIN	3050 EMS,148*197mm,220V,12V,NO CSZ,NO C-FAN,NO WIFI,REACTOR,Y,SMPS,Standard	1	SA
27	DA97-14151A	ASSY CHASSIS COMP	3050-PJT,G1-SGCC, T0.8, ASSY	1	SA
27-1	DA97-13454A	ASSY CHASSIS COMP	3050-PJT,T0.8,RB31	1	SNA
27-2	DA61-06202A	CASTER-REAR	GRAND-CRU,PP,NATURAL	2	SNA

# EXPLODED VIEW PART LIST

## • Parts List of Cabinet

NO	CODE NO	PART NAME	Specification	Quantity	SA/SNA
29	6011-001546	BOLT-HEX	M5(P0.8),L16,ZPC(WHT),HWH,+,SWRCH18A,IND Type C	7	SNA
30	DA72-00218A	SEAL BUTYL RUBBER	RUBBER,T3,W50,L80	1	SNA
31	DA60-10104C	SCREW-TAPPING	TH,-,M4.2,L13,ZPC(WHT),SWRCH18A,-,-	1	SA
32	DA97-14147M	ASSY CABI-REAR	RB3000,IEC	1	SNA
32-1	DA97-15018B	ASSY CASE PCB-PANEL	RB3000	1	SNA
32-1-1	DA61-15469A	CASE PCB	RB3000,PP,T2.5,NATURAL,-,MU30HP	1	SA
33	6002-001218	SCREW-TAPPING	FH,+,2,M4,L14,ZPC(WHT),SWRCH18A	2	SA
32-1-1	DA61-09020C	CASE PCB	3050,PP,BLACK,scrap	1	SA
33	6002-001218	SCREW-TAPPING	FH,+,2,M4,L14,ZPC(WHT),SWRCH18A	2	SA