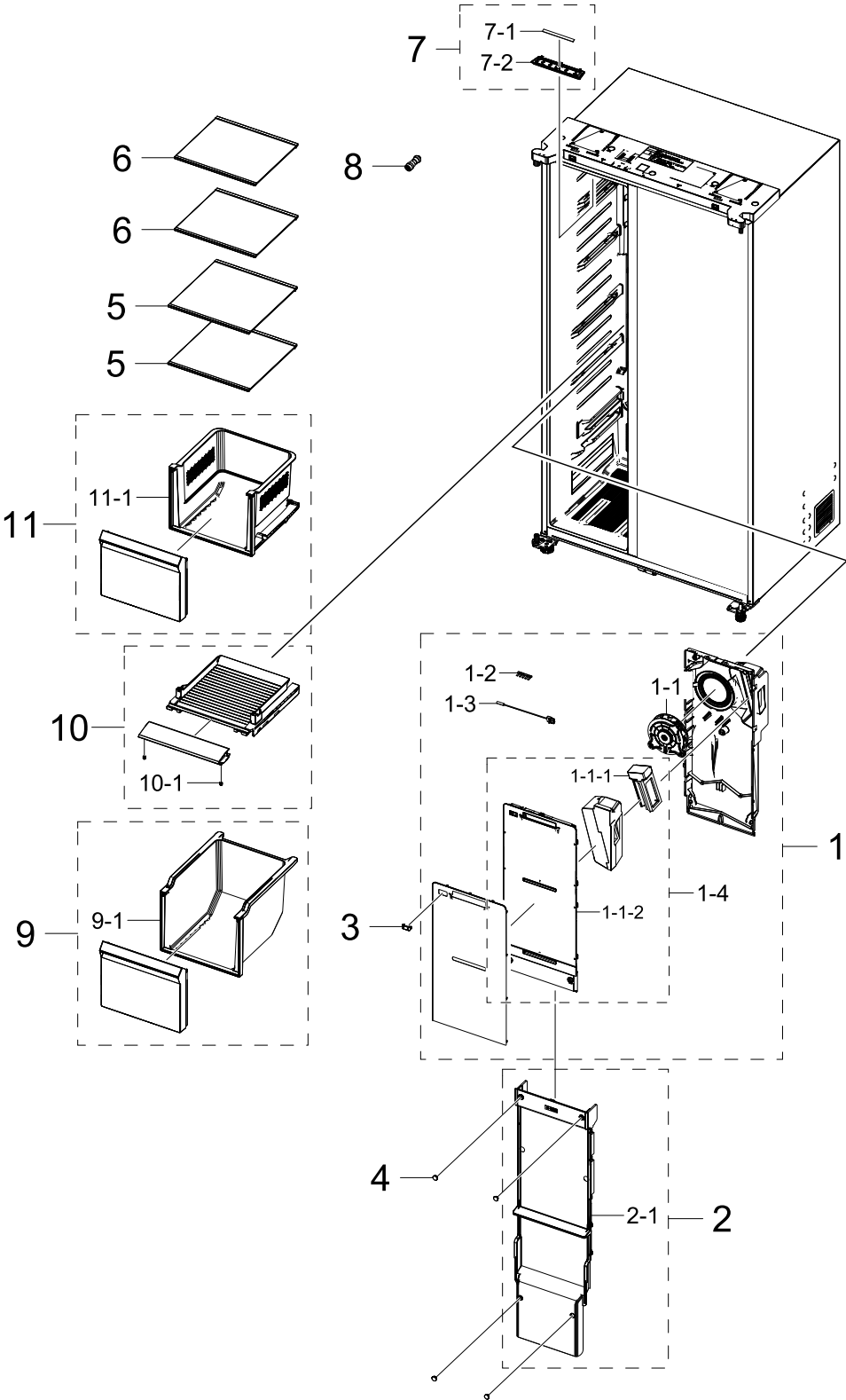


1. FREEZER

FREEZER

Exploded View



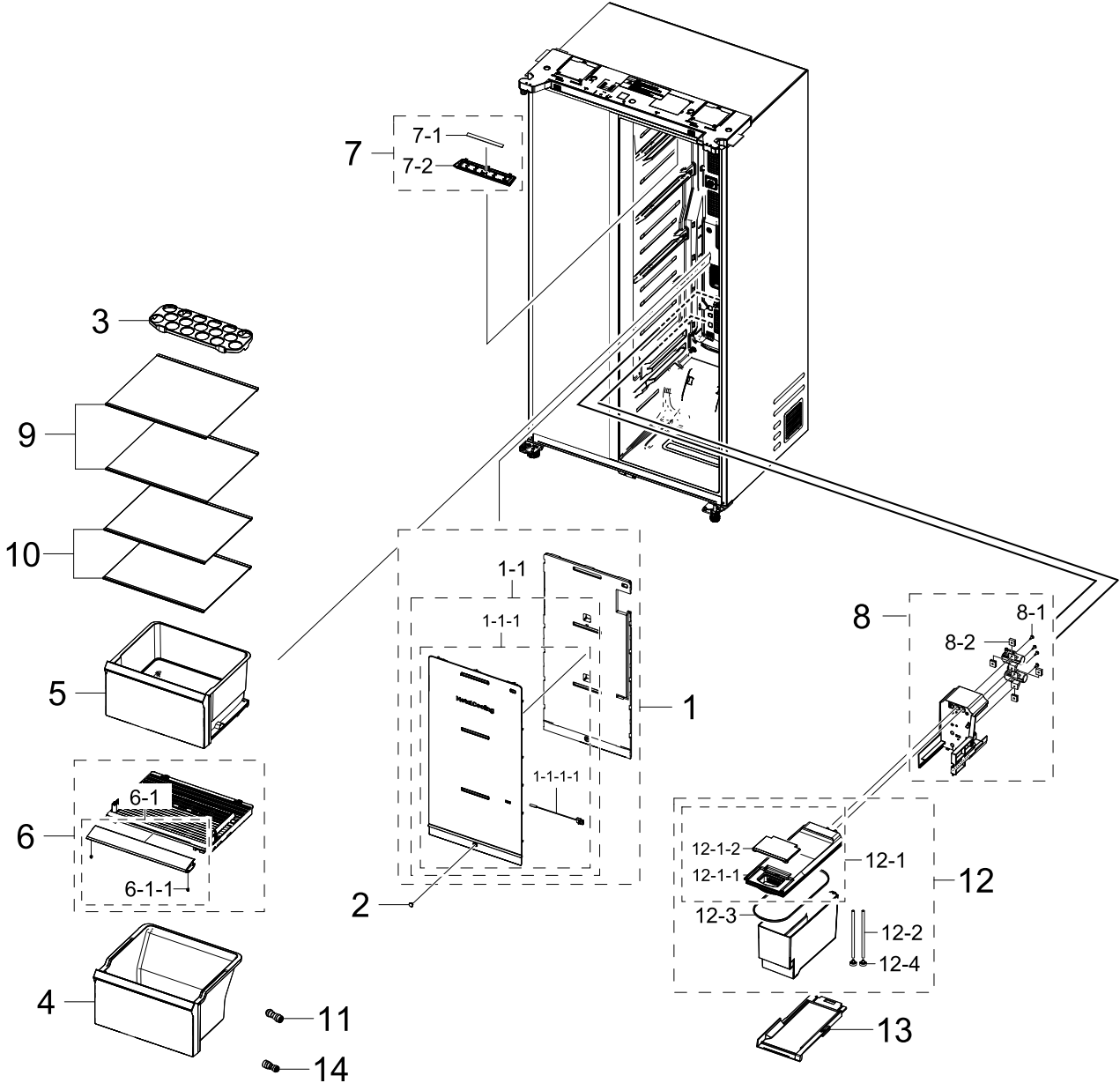
Parts List

No.	Lvl.	Loc.	Material Code	Description & Specification	SNA	Qty.
1	2	M0304	DA97-20713D	ASSY COVER MULTI-FRE; RS5000FC,-,-,-,-,-,-,-,-,-,-	SA	1
1-1	3		DA31-00342A	MOTOR BLDC FAN; ARES2130RA/LT-W39005,1850	SA	1
1-1-1	4		DA31-00333E	MOTOR GEARED DC DAMPER; NSBA001TQ1,2.5rpm	SA	1
1-1-2	4	M0304	DA97-25539A	ASSY COVER MULTI-FRE; RS90F,-,-,-,-,-,-,-,-,-,-	SNA	1
1-2	3		DA61-11034A	FIXER; RT5000K,PA66,-,WHITE,-,KN3322V0,5P	SA	1
1-3	3	A1018	DA32-00070T	SENSOR TEMP; SC41198-021A,L700,13.2Kohm,2	SA	1
1-4	3	M0304	DA97-25639A	ASSY COVER MULTI-FRE; RS90F,PP,COOL WHITE	SNA	1
2	2	M0303	DA97-19944F	ASSY COVER EVAP-FRE; RS5000FC,-,-,-,-,-,-,-,-,-,-	SA	1
2-1	3	M0303	DA97-25610A	ASSY COVER EVAP-FRE; RS90F,-,-,-,-,-,-,-,-,-,-	SNA	1
3	2		DA67-04922A	CAP SENSOR; RS5300T,PP,-,-,EP448T,COOL WH	SA	1
4	2	A0270	DA67-30266K	CAP SCREW; A-TOP,PP,T1.5,HB,BJ750,COOL WH	SA	5
5	2		DA97-25350A	ASSY SHELF-FRE LOW; RS5000FC,Glass Trim S	SA	2
6	2		DA97-25350D	ASSY SHELF-FRE UP; RS5000FC,Glass Trim Sh	SA	2
7	2		DA97-21569C	ASSY COVER LAMP; RS8000,-,-,-,-,-,-,-,-,-,-	SNA	1
7-1	3		DA96-01119A	ASSY LAMP LED; 3EA,FR-4,150*12,WHITE,SMAW	SA	1
7-2	3		DA97-21569A	ASSY COVER LAMP; RB7300T,-,-,-,-,-,-,-,-,-,-	SA	1
8	2	T0093	DA60-00258B	FITTING TUBE; PP,ID1/4,1/4'- 1/4'	SA	1
9	2	A1186	DA97-23541B	ASSY CASE BASKET-LOW; RS5000BC,-,-,TP GRA	SA	1
9-1	3		DA61-15447A	CASE BASKET-LOW; PP,RS5000FC,-,L362.8,BJ7	SNA	1
10	2		DA97-23556A	ASSY COVER SLIDE; RS5000CC,-,-,-,-,-,-,-,-,-,-	SA	1
10-1	4		DA63-07113A	GROMMET-COVER SIDE; HM12,Si,-,-,-,-	SA	4
11	2		DA97-24252A	ASSY CASE BASKET-UP; RS5000BC,-,-,TP GRAY	SA	1
11-1	3		DA61-15875A	CASE BASKET-UP; PP,RS5000BC,-,-,BJ750,-,C	SNA	1

2. FRIDGE

FRIDGE

Exploded View



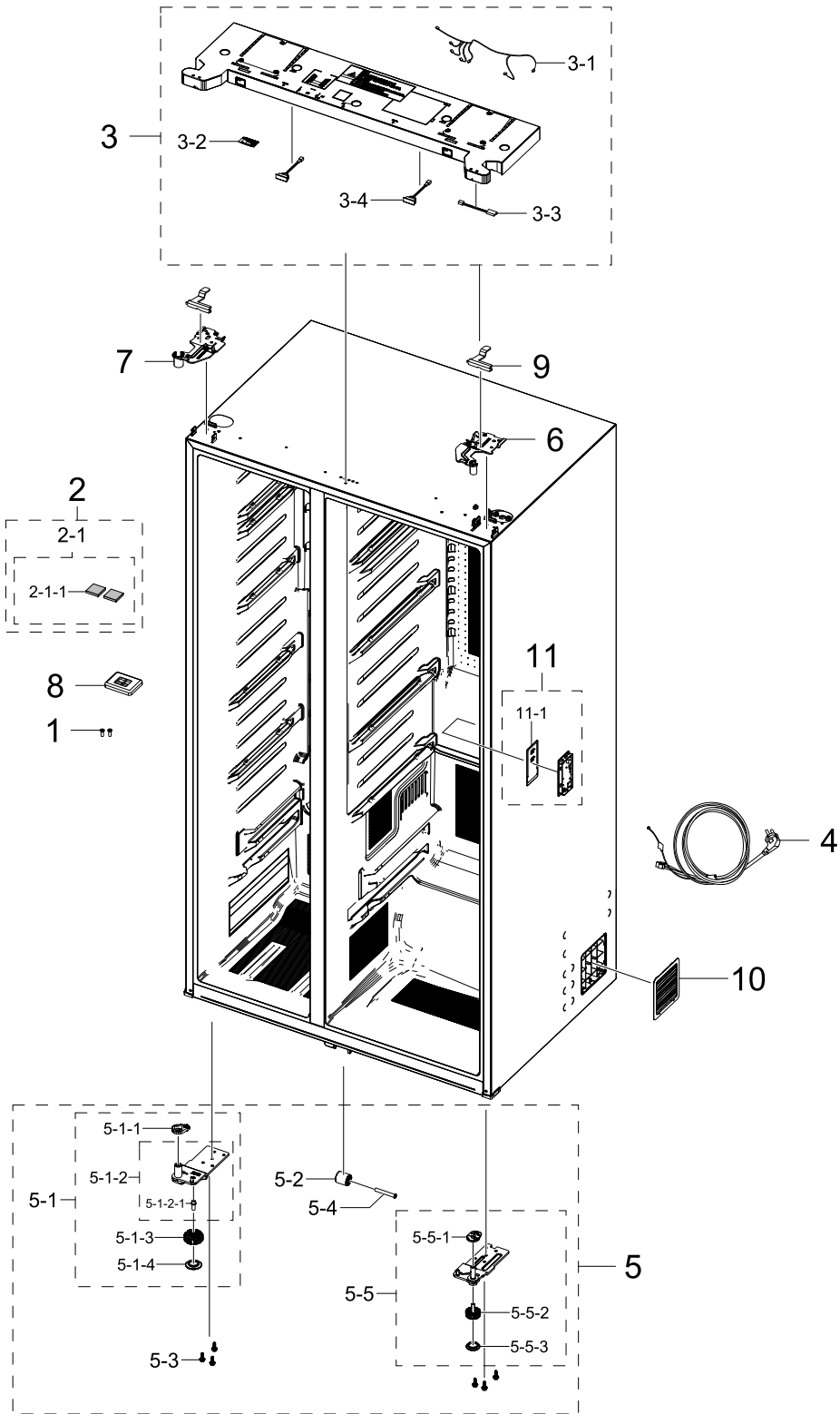
Parts List

No.	Lvl.	Loc.	Material Code	Description & Specification	SNA	Qty.
1	2	G0239	DA97-20712C	ASSY COVER MULTI-REF; RS5000FC,-,-,-,-,-,-,-,-,-,-	SA	1
1-1	3	G0239	DA97-25638A	ASSY COVER MULTI-REF; RS90F,PP,COOL WHITE	SNA	1
1-1-1	4	G0239	DA97-25538A	ASSY COVER MULTI-REF; RS90F,-,-,-,-,-,-,-,-,-,-	SNA	1
1-1-1-1	5	A1018	DA32-00070S	SENSOR TEMP; SC41200-021A,L650,13.2kohm,2	SA	1
2	2	A0270	DA67-30266K	CAP SCREW; A-TOP,PP,T1.5,HB,BJ750,COOL WH	SA	5
3	2	A0656	DA67-40322A	TRAY EGG; SR-51.55.59,GPPS,-,-,-,-,-,HF-2660,	SA	1
4	2	M0300	DA97-19212C	ASSY CASE VEG-LOW; RS8000AC,TP GRAY,VEGET	SA	1
5	2		DA97-19214C	ASSY CASE VEG-UP; RS8000AC,TP GRAY,VEGETA	SA	1
6	2		DA97-19218C	ASSY COVER SLIDE; RS8000AC,-,-,-,-,-,-,-,-,-,-	SA	1
6-1	3		DA97-19504C	ASSY COVER SLIDE; RS8000AC,-,-,-,-,-,-,-,-,-,-	SNA	1
6-1-1	4		DA63-07113A	GROMMET-COVER SIDE; HM12,Si,-,-,-,-	SA	2
7	2		DA97-21569C	ASSY COVER LAMP; RS8000,-,-,-,-,-,-,-,-,-,-	SNA	1
7-1	3		DA96-01119A	ASSY LAMP LED; 3EA,FR-4,150*12,WHITE,SMAW	SA	1
7-2	3		DA97-21569A	ASSY COVER LAMP; RB7300T,-,-,-,-,-,-,-,-,-,-	SA	1
8	2	A0662	DA97-20016B	ASSY CASE MOTOR; RS5000F,-,-	SA	1
8-1	3	G0412	6002-000473	SCREW-TAPPING; STS304,PASS,L14,M4,TH,+1	SA	4
8-2	3		DA67-05362A	RUBBER BUMPER; RF9000A,Si,T3,40,WATER PUM	SA	4
9	2		DA97-25349B	ASSY SHELF-REF UP; RS5000FC,Glass Trim Sh	SA	3
10	2		DA97-25349C	ASSY SHELF-REF LOW; RS5000FC,Glass Trim S	SA	1
11	2	T0093	DA60-00258B	FITTING TUBE; PP,ID1/4,1/4'- 1/4'	SA	1
12	2	M0042	DA97-15758C	ASSY TANK WATER; RS8000,NON PLUMBING	SA	1
12-1	3		DA97-24885A	ASSY COVER WATER TANK; RS8000,ABS,-,-,-,-,-	SA	1
12-1-1	4		DA63-08132C	COVER WATER TANK; RS8000,ABS,-,HB,COOL WH	SNA	1
12-1-2	4		DA63-08131C	COVER SUPPORT; RS8000,ABS,-,HB,COOL WHITE	SNA	1
12-2	3		DA63-08128A	GROMMET-PIPE; FSR,Si,NATURAL,-,-,-	SA	2
12-3	3		DA63-08130A	GASKET; FSR,Si,-,-,-,NATURAL,-,-,-	SA	1
12-4	3		DA97-13645A	ASSY CASE-MESH FILTER; 3050,-,-,-	SA	2
13	2		DA61-13117A	GUIDE RAIL; RS8000NC,HIPS,-,COOL WHITE,-,-	SA	1
14	2	T0094	DA60-00259B	FITTING TUBE; PP,ID1/4,TRANSPARENT,-,OD5/	SA	1

3. CABINET

CABINET

Exploded View



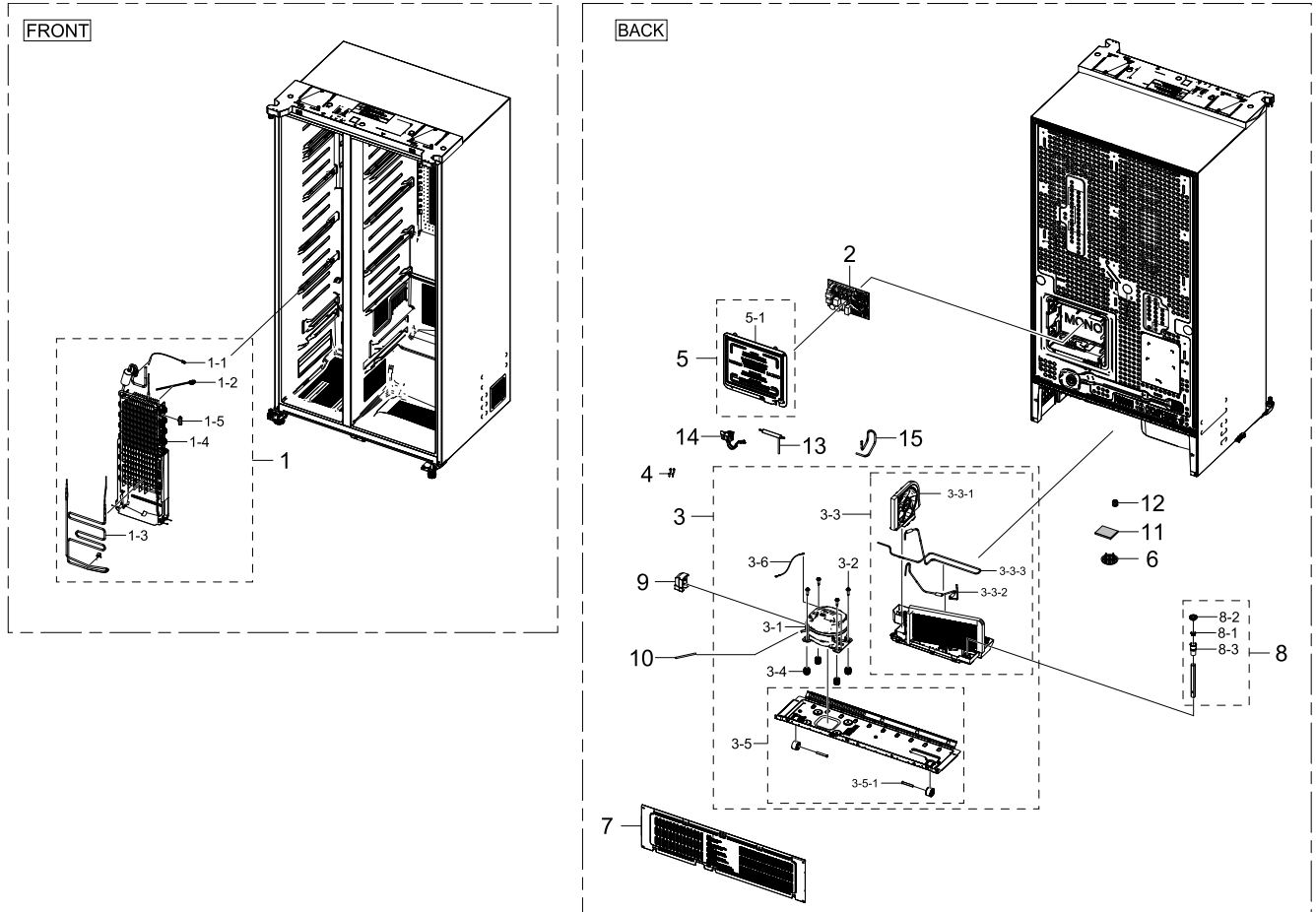
Parts List

No.	Lvl.	Loc.	Material Code	Description & Specification	SNA	Qty.
1	2	G0412	6002-001120	SCREW-TAPPING; SWRCH18A,ZPC(WHT),L18,M4,F	SA	4
2	2		DA97-25485B	ASSY PIPE SUCTION-SUB; RS90F/36,C1220T,-,	SNA	1
2-1	3		DA97-25485A	ASSY PIPE SUCTION; RS90F/36,C1220T,-,-,-,	SNA	1
2-1-1	4		DA62-01018A	SEAL CUTT-RUBBER; RR2500K,RUBBER,T5,W50,L	SA	2
3	2	A1288	DA97-25409A	ASSY TOP TABLE; RS5000FC,ABS,NOX GRAY,NO	SA	1
3-1	3		DA96-01735A	ASSY WIRE HARNESS-TOP; RS5000FC,SBS,FREE	SA	1
3-2	3		DA92-00817A	ASSY MODULE; HW,BUZZER PBA,RB6000K,Standa	SA	1
3-3	3	A1108	DA32-00088A	SENSOR HUMIDITY; 5V,0~100%RH,4.5%,100mm,4	SA	1
3-4	3	G0068	DA34-00043A	SWITCH REED; UL1007 AWG 22,100mm,DEM1-B50	SA	2
4	2	A0273	3903-001015	POWER CORD-AT; H05VV-F 3x0.75mm2,BLK,EU3F	SA	1
5	2		DA97-25488F	ASSY CABI-BOTTOM; RS90F/36,PP,T1.5,5VA,MO	SNA	1
5-1	3		DA97-14046V	ASSY HINGE-LOW LEFT; RS90F	SA	1
5-1-1	4		DA66-01739A	CAM RISER-LOW LEFT; RS5000E,POM,-,BLACK,-	SA	1
5-1-2	4		DA61-09275J	HINGE-LOW LEFT; RS90F,PO-SPHC,T5,-,-,-,-,	SNA	1
5-1-2-1	5	A0517	DA66-00793A	SHAFT-LEG FRONT; POLARIS,SWRCH10A,L27,-,B	SA	1
5-1-3	4	A0577	DA61-07972B	FOOT-FRONT; POLARIS,PP,BLACK,-,-,SSPP-640	SA	1
5-1-4	4	A0863	DA61-07973B	FOOT; POLARIS,PP,BLACK,-,-,SSPP-640,PP_S	SA	1
5-2	3	M0145	DA61-04702A	CASTER-FRONT; AW-PJT,PP,BLACK	SA	1
5-3	3	A0564	DA60-10123C	BOLT-HEX; M6,L24,ZPC(WHT),HWH,SWRCH18A,HW	SA	6
5-4	3	M0146	DA61-01920A	FIXER-CASTER; ZPC2,SWRCH10A,-,-,-,-,OD8.0	SA	1
5-5	3		DA97-19056C	ASSY HINGE-LOW RIGHT; RS90F	SNA	1
5-5-1	4		DA66-01738A	CAM RISER-LOW RIGHT; RS5000E,POM,-,BLACK,	SA	1
5-5-2	4	A0577	DA61-09458A	FOOT-FRONT; RS8000CH,PP,BLACK,-,-,RM60	SA	1
5-5-3	4	A0863	DA61-09459A	FOOT; PPI BLACK,-,BJ750	SA	1
6	2		DA97-19227A	ASSY HINGE-UP LEFT; RS8000NC,BLK	SA	1
7	2		DA97-19132A	ASSY HINGE-UP RIGHT; RS8000NC,BLK	SA	1
8	2	E0010	DA97-00713C	ASSY-THERMO GUIDE; XEF,THERMO,COOL WHITE	SA	1
9	2		DA61-04932B	FIXER-HINGE; RS76,RS78,PO-SPHC,T3,-,-,-,Z	SA	2
10	2		DA63-08062A	COVER UNIT; BK,ABS,-,HB,INOX GRAY,-,HG-07	SA	1
11	2	A0626	DA97-24602N	ASSY COVER CONTROL; FDR/SBS_STD,-,-,-,-,-	SA	1
11-1	3		DA97-24001V	ASSY COVER-INLAY; FDR/SBS_STD,-,-,-,-,-	SA	1

4. CYCLE

CYCLE

Exploded View



Parts List

No.	Lvl.	Loc.	Material Code	Description & Specification	SNA	Qty.
1	2	A0163	DA96-01728A	ASSY EVAP-FRE; Fin Tube,-,230V,None,SBS,2	SA	1
1-1	3	A1018	DA32-00024L	SENSOR TEMP; PX-41C,L250,13.2kohm,2%,0C,7	SA	1
1-2	3	A1008	DA47-00301D	THERMO FUSE-ASSY;AC250V,10A,109~110°C,S.O	SA	1
1-3	3		DA47-00574A	HEATER METAL SHEATH; AC230V,300W,INCOLOY8	SNA	1
1-4	3		DA59-00660A	EVAPORATOR-FRE; Fin Tube,2,A1070,8,A1100,	SNA	1
1-5	3	A0744	DA61-07411A	FIXER-FUSE; NW2,PP,NATURAL,BJ750	SA	1
2	1		DA94-10125B	ASSY PCB EEPROM; 0x33,RS5000FC,DA92-01846	SA	1
3	2		DA97-25512A	ASSY COMP N CONDENSING; RS90F/36,NO14C913	SNA	1
3-1	3		NO14C9131AKTT1	CMP,COMP,REFRIGERATOR,R600A; CMP,COMP,REFRIGERATOR,R600A		1
3-2	3	A0564	6011-007289	BOLT-HEX; M6,L43.6,ZPC(SILVER),HH,SOCKET,	SA	4
3-3	3	A0529	DA97-19128A	ASSY TRAY DRAIN WATER; RS8000NC,-,-	SA	1

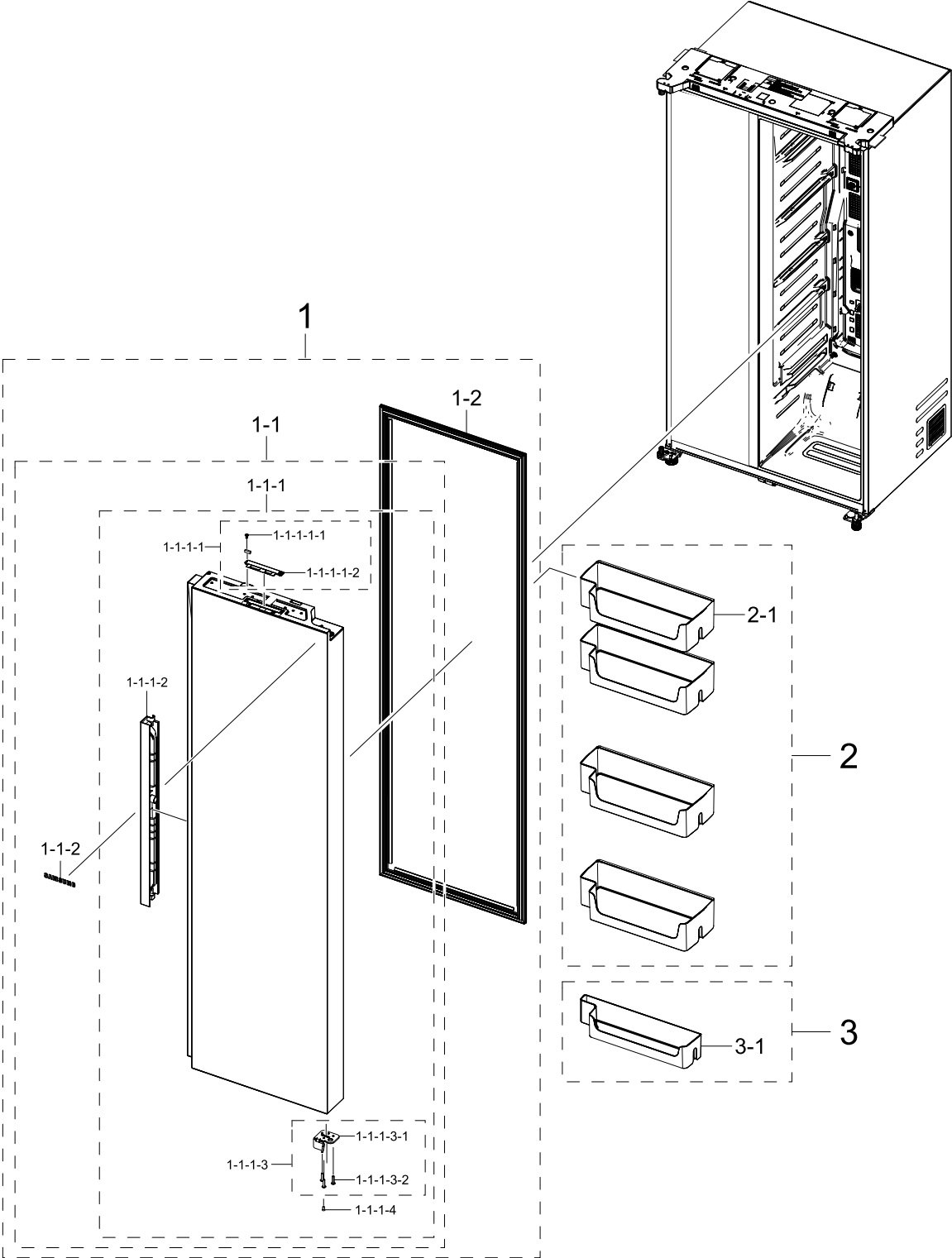
Exploded Views and Parts List

No.	Lvl.	Loc.	Material Code	Description & Specification	SNA	Qty.
3-3-1	4	M0116	DA97-20025B	ASSY SUPPORT-CIRCUIT MOTOR; RS5000RC,C160	SA	1
3-3-2	4		DA97-20131A	ASSY PIPE IMMERSING; RS8000NC,-,-,-,-,-	SA	1
3-3-3	4		DA97-20140A	ASSY PIPE IMMERSING; RS8000NC,-,-,-,-,-	SA	1
3-4	3	Z1112	DA63-09336B	GROMMET COMP; REF,IIR,BLACK,-,-,L21.3, OD	SA	4
3-5	3	A0526	DA97-19127B	ASSY CHASSIS COMP; RS5000FC,GI-SGCC,T1.0,	SA	1
3-5-1	4	M0212	DA66-00649B	SHAFT-CASTER; POLARIS,MSWR10,L44,OD11,-,-	SA	2
3-6	3	A0562	DA39-20389L	ASSY WIRE HARNESS-EARTH; ALL,FREE VOLT,UL	SA	1
4	2		DC60-20057A	SCREW-TAPPING;SWRCH18A,ZPC(WHT),L16,M5,T	SA	1
5	2		DA97-25489A	ASSY COVER PBA; RS90F/36,GI-SGCC,T0.4,-,-	SA	1
5-1	3		DA63-11737A	COVER PBA; RS90F/36,GI-SGCC,T0.4,-,-,-,-	SNA	1
6	2	M0158	DA63-09871A	COVER-URETHANE; RB7300T,PP,T2.5,5VA,BLACK	SA	1
7	2	M0076	DA97-19123A	ASSY COVER COMP; RS8000NC,GI-SGCC,T0.25,-	SA	1
8	2	M0067	DA97-04049D	ASSY CAP-DRAIN; AW,ASSY,-,-,L224.5,-,FIXE	SA	1
8-1	3	A0336	DA61-05021A	FIXER-DRAIN; HAEMIL,PP,T0.6,CARMEN WINE,B	SA	1
8-2	3		DA63-02761A	GROMMET-DRAIN; RS18RK,NBR,BLACK,-	SA	1
8-3	3	A0492	DA67-01301A	CAP-DRAIN; AW4,HIPS,HB,576H,NATURAL	SA	1
9	2	Z1032	DA63-06122A	COVER RELAY; MSV,MPPE,T2,BLACK,N300X,V-0	SA	1
10	2	A0523	DA73-10190U	PIPE-CONNECT DISC,B; ALL,C1220T,Cu,OD6.35	SA	1
11	2		DA72-60040C	SEAL CUTT-RUBBER; RF6000T,RUBBER,T4,W45,L	SA	1
12	2		DA60-00281A	FITTING LOCK SLEEVE; SUM23,ID5.02,11SMnPb	SA	1
13	2	A0669	DA62-04309A	DRYER; C1220T-H,L137,SINGLE MOUTH,OD15.8,	SA	1
14	2		DA62-04678B	VALVE STEP; DC12V,MODULE,2WAY,RIGHT/RIGHT	SA	1
15	2		DA62-05167A	PIPE CONNECT-SUCTION; RS8000NC,Cu,OD6.35,	SA	1

5. DOOR REF

DOOR REF

Exploded View



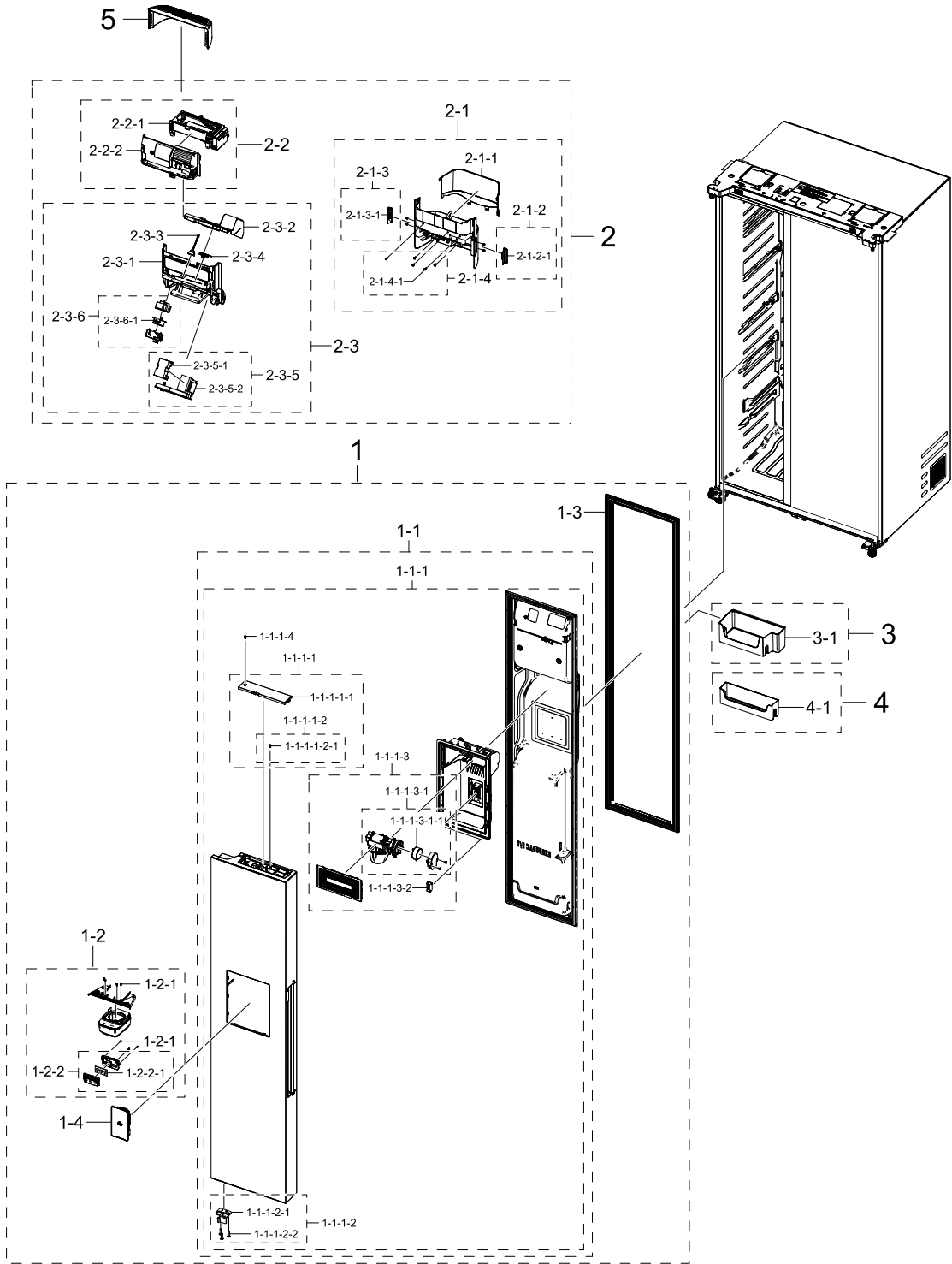
Parts List

No.	Lvl.	Loc.	Material Code	Description & Specification	SNA	Qty.
1	2		DA93-01718A	ASSY DOOR SUB-REF; RS90F,MATT DOI METAL,S	SNA	1
1-1	3	Z1100	DA91-06679A	ASSY DOOR FOAM-REF; RS90F,MATT DOI METAL,	SA	1
1-1-1	4		DA97-25442A	ASSY PLATE DOOR-REF; RS90F,RECESS,MATT DO	SNA	1
1-1-1-1	5		DA97-21731D	ASSY CAP DOOR-REF UP; RS90F,DARK GRAY,AOD	SNA	1
1-1-1-1-1	6		DA67-02795C	CAP-SHAFT HOLE; AW3,ABS,-,-,HG-0760GP,SNO	SA	1
1-1-1-1-2	6		DA61-16467A	CASE PCB; ABS,RS90F,T2,-,HG-0760GP,-,DARK	SNA	1
1-1-1-2	5	A0809	DA97-20240E	ASSY HANDLE-REF; DARK GRAY,-,-,-,2 DOOR	SNA	1
1-1-1-3	5	A0048	DA97-19771E	ASSY CAP DOOR-REF LOW; RS90F,AOD	SNA	1
1-1-1-3-1	6	A1017	DA61-07526A	STOPPER DOOR-REF LOW; POLARIS,PO-SPHC,T4,	SA	1
1-1-1-3-2	6	G0412	6002-000524	SCREW-TAPPING; SWRCH18A,ZPC(WHT),L20,M4,T	SA	3
1-1-1-4	5	G0412	6002-001547	SCREW-TAPPING; SWRCH18A,ZPC(WHT),L10,M4,F	SA	1
1-1-2	4	M0196	DA64-07620A	MASCOT; ALL,Ni,T0.06,-,-,-,L46	SA	1
1-2	3		DA97-19851K	ASSY GASKET-REF; RS90F,L1642.5,W469.5,GLA	SA	1
2	2		DA97-25571A	ASSY GUARD-REF UP; RS90F/36P,-,-,-,-,-,	SA	4
2-1	3	M0447	DA63-09329D	GUARD-REF UP; RS90F/36P,GPPS,T3.5,-,147F,	SNA	4
3	2	G0400	DA97-25573A	ASSY GUARD-REF LOW; RS90F/36P,-,-,-,-,-,	SA	1
3-1	3	M0369	DA63-09330D	GUARD-REF LOW; RS90F/36P,GPPS,T3.5,-,147F	SNA	1

6. DOOR FRE

DOOR FRE

Exploded View



Parts List

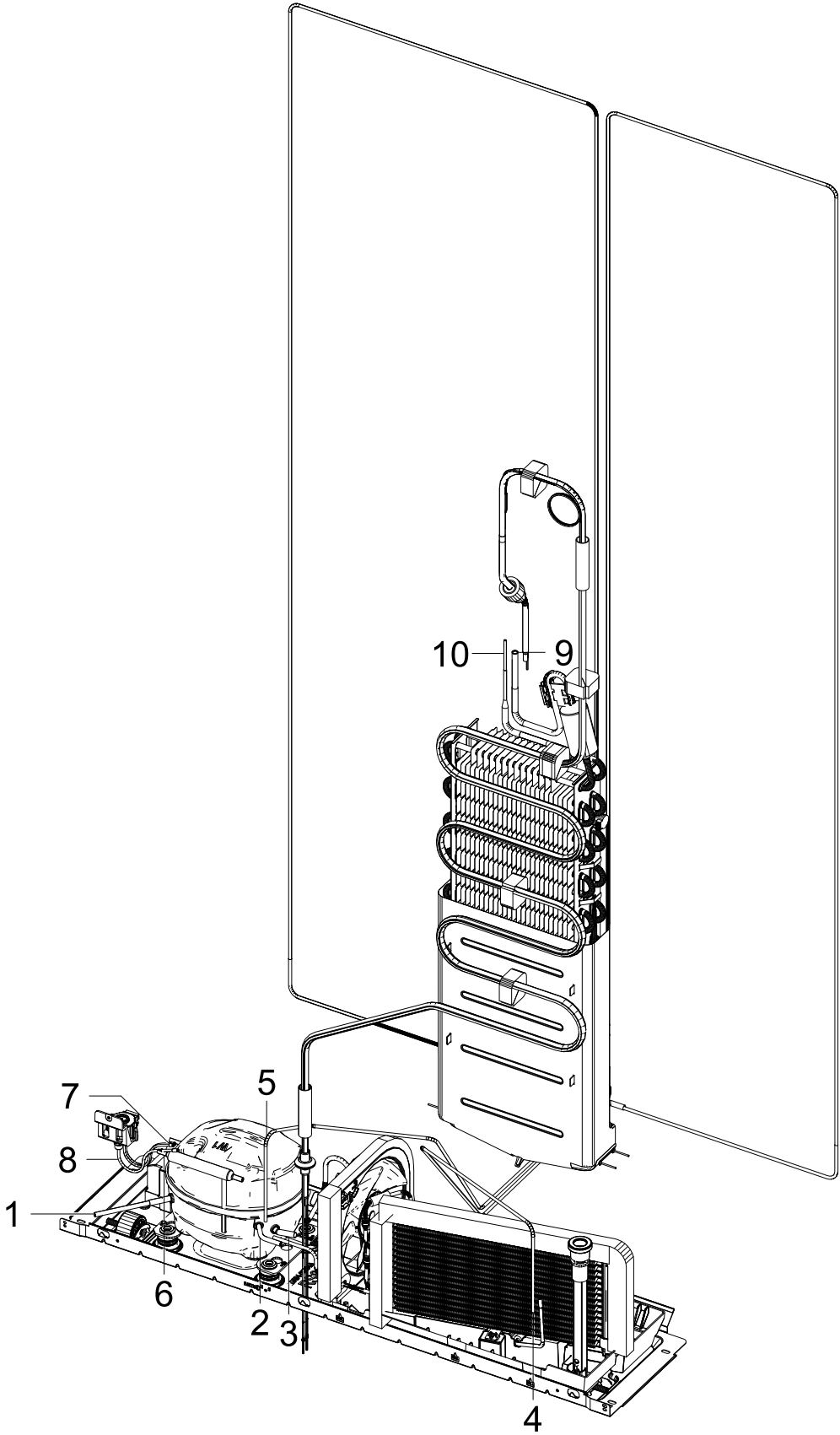
No.	Lvl.	Loc.	Material Code	Description & Specification	SNA	Qty.
1	2		DA93-01717N	ASSY DOOR SUB-FRE; RS90F,MATT DOI METAL,S	SNA	1
1-1	3	M0063	DA91-06678N	ASSY DOOR FOAM-FRE; RS90F,MATT DOI METAL,	SA	1
1-1-1	4		DA97-25433Q	ASSY PLATE DOOR-FRE; RS90F,DISP,RECESS,MA	SNA	1
1-1-1-1	5		DA97-21732D	ASSY CAP DOOR-FRE UP; RS90F,DARK GRAY,DIS	SNA	1
1-1-1-1-1	6		DA63-04341J	COVER CAP DOOR-FRE; RS90F,ABS,-,-,DARK GR	SA	1
1-1-1-1-2	6		DA97-22139D	ASSY CAP DOOR-FRE UP; RS90F,DARK GRAY,DIS	SNA	1
1-1-1-1-2-1	7		DA67-02795C	CAP-SHAFT HOLE; AW3,ABS,-,-,HG-0760GP,SNO	SA	1
1-1-1-2	5	A0047	DA97-19263K	ASSY CAP DOOR-FRE LOW; RS90F,AOD, DISP	SNA	1
1-1-1-2-1	6		DA61-07527A	STOPPER-DOOR FRE LOW; POLARIS,PO-SPHC,T4,	SA	1
1-1-1-2-2	6	G0412	6002-000524	SCREW-TAPPING; SWRCH18A,ZPC(WHT),L20,M4,T	SA	3
1-1-1-3	5		DA97-19228P	ASSY CASE DISPENSER; RS90F,DARK GRAY,-,-,	SNA	1
1-1-1-3-1	6		DA97-19028A	ASSY CASE ICE ROUTE; RS8000NC,-,-,220V	SA	1
1-1-1-3-1-1	7	M0200	DA31-00079A	MOTOR GEARED AC DISP; MVLA15AR11/MCFA182A	SA	1
1-1-1-3-2	6	A0842	3405-001117	SWITCH-MICRO; 125/250VAC,1A,80gf,SPST-NO	SA	1
1-1-1-4	5	G0412	6002-001547	SCREW-TAPPING; SWRCH18A,ZPC(WHT),L10,M4,F	SA	1
1-2	3		DA97-19031M	ASSY COVER DISPENSER; RS8000NC,-,-,-,-,-,	SA	1
1-2-1	4	G0412	6002-000630	SCREW-TAPPING; SWRCH18A,ZPC(WHT),L8,M3,PH	SA	7
1-2-2	4		DA97-25560A	ASSY COVER CONTROL-PBA; DISPENSER_STD,-,-	SNA	1
1-2-2-1	5		DA92-01060D	ASSY PBA MODULE; HW,Dispenser PBA,RS5000F	SNA	1
1-3	3		DA97-19851L	ASSY GASKET-FRE; RS90F,L1642.5,W469.5,GLA	SA	1
1-4	3		DA97-21146A	ASSY LEVER DISPENSER; RS5300T,EBONY BLACK	SA	1
2	2		DA97-22143A	ASSY BUCKET N AUGER-BUCKET MODULE; RS8000	SNA	1
2-1	3	A0105	DA97-19033C	ASSY TRAY ICE; RS8000,-,-,INDOOR PP I/M	SA	1
2-1-1	4		DA64-05768A	WINDOW BUCKET; RS8000NC,PCTG,T4,W290,L175	SA	1
2-1-2	4		DA97-22938A	ASSY LEVER HANDLE; RS8000NC,COOL WHITE,LE	SNA	1
2-1-2-1	5	G0557	DA66-00588A	LEVER-BUCKET R; GUGGENHEIM,ABS,-,W77.2,L7	SA	1

No.	Lvl.	Loc.	Material Code	Description & Specification	SNA	Qty.
2-1-3	4		DA97-22941A	ASSY LEVER HANDLE; RS8000NC,COOL WHITE,LE	SNA	1
2-1-3-1	5		DA66-00587A	LEVER-BUCKET L; GUGGENHEIM,ABS,-,W76.7,L1	SA	1
2-1-4	4		DA97-22934B	ASSY TRAY ICE-BUCKET MODULE; RS8000NC,-,-	SNA	1
2-1-4-1	5	G0412	6002-000473	SCREW-TAPPING; STS304,PASS,L14,M4,TH,+,1	SA	1
2-2	3	M0247	DA97-21754A	ASSY ICE MAKER-MECH; RS8000,COOL WHITE,-,	SA	1
2-2-1	4	A0104	DA97-19010A	ASSY ICE MAKER; RS6500KC,12V,INDOOR,AUTO,	SA	1
2-2-2	4		DA61-14395A	SUPPORT CASE AUGER-LEFT; RS8000,ABS,T2.5,	SA	1
2-3	3	M0299	DA97-21751A	ASSY CASE AUGER MOTOR; RS8000,T2.5,COOL W	SA	1
2-3-1	4		DA61-14393A	SUPPORT CASE AUGER; RS8000,HIPS,T2.5,576H	SA	1
2-3-2	4		DA63-09324A	COVER CASE AUGER; RS8000NC,HIPS,T2.5,HB,N	SA	1
2-3-3	4	G0564	DA97-00151B	SWITCH REED; UL1007 AWG 22,230,35151-0210	SA	1
2-3-4	4	G0572	DA97-11248A	ASSY-CAM LEVER CUBE; INDOOR	SA	1
2-3-5	4		DA97-22936A	ASSY CASE SUB-LOW; RS8000NC,T2.5,COOL WHI	SNA	1
2-3-5-1	5		DA63-05515A	COVER-MOTOR AUGER COIL; GGH,ABS,-,-,NATUR	SA	1
2-3-5-2	5	M0199	DA31-00210E	MOTOR GEARED AC AUGER; ORG-4501P3,AC220-2	SA	1
2-3-6	4		DA97-22937A	ASSY CASE SUB-UP; RS8000NC,T2.5,COOL WHIT	SNA	1
2-3-6-1	5	M0200	DA31-00079A	MOTOR GEARED AC DISP; MVLA15AR11/MCFA182A	SA	1
3	2		DA97-25570A	ASSY GUARD-FRE UP; RS90F/36P,-,-,-,-,-,-,-,-	SA	1
3-1	3	M0366	DA63-09331E	GUARD-FRE UP; RS90F/36P,GPPS,T3.5,-,147F,	SNA	1
4	2		DA97-25569A	ASSY GUARD-FRE LOW; RS90F/36P,-,-,-,-,-,-,-,-	SA	1
4-1	3	M0365	DA63-09332E	GUARD-FRE LOW; RS90F/36P,GPPS,T3.5,-,147F	SNA	1
5	2		DA63-11186A	COVER ICE-FRE; RS8000AC,HIPS,T2.5,COOL WH	SA	1

7. LOKRING_1

LOKRING_1

Exploded View



8. LOKRING_2

LOKRING_2

Exploded View

PART	NO	SVCLOKRING				SAMSUNGLOKRING PART
		PARTLOCATION	PIPE Spec	Article No.	SPEC	
COMP	1	PROCESS TUBE	6.35 C6.35	L13000588	6 NKM 00	DA81-06412A
	2	SUCTION	7.94 C6.35	L13000654	8/6 NRM 00	DA81-06416A
	3	DISCHARGE	6.35 C4.76	L13000630	6/5 NRM 00	DA81-06413A
COND	4	COND OUT	4.76 C4.2	L13006356	5/4.2 NRM 00	DA81-11126A
PIPE JOINT	5	PIPE JOINT - OUT	4.2 C5.0	L13000622	5/4 NRM 00	DA81-06411A
SVC DRYER	6	SVC DRYER OUT	5.0 C3.5	L13000621	5/3.5 NRM 00	DA81-06410A
VALVE	7	VALVE OUT	2.8 C1.9	L13005939	2.8/2 NRM 00	DA81-06403A
	8	VALVE OUT 2	3.0 C2.05	L13005939	2.8/2 NRM 00	DA81-06403A
CAPI F	9	CAPI OUT	8.0 C 80	L13000657	8 NKM 00	DA81-06417A
EVAP F	10	EVAP F OUT	1.9 C3.5	L13000592	8 NKM 00	DA81-10924A

PROJECT	PART NAME	PART NUMBER	USE
RS90F.36_MONO	PROCESS TUBE	DA81-01184F	COMMON
	DRYER	DA81-06007A	COMMON
	UNIVERSAL CONNECT	DA81-06436A	COMMON
	ASSY EVAP FRE	DA96-01728A	RS90F/36
	ASSY EVAP CONV	-	-
	ASSY EVAP REF	-	-
	PIPECONNECT SUCTION	DA62-05167A	RS90F/36