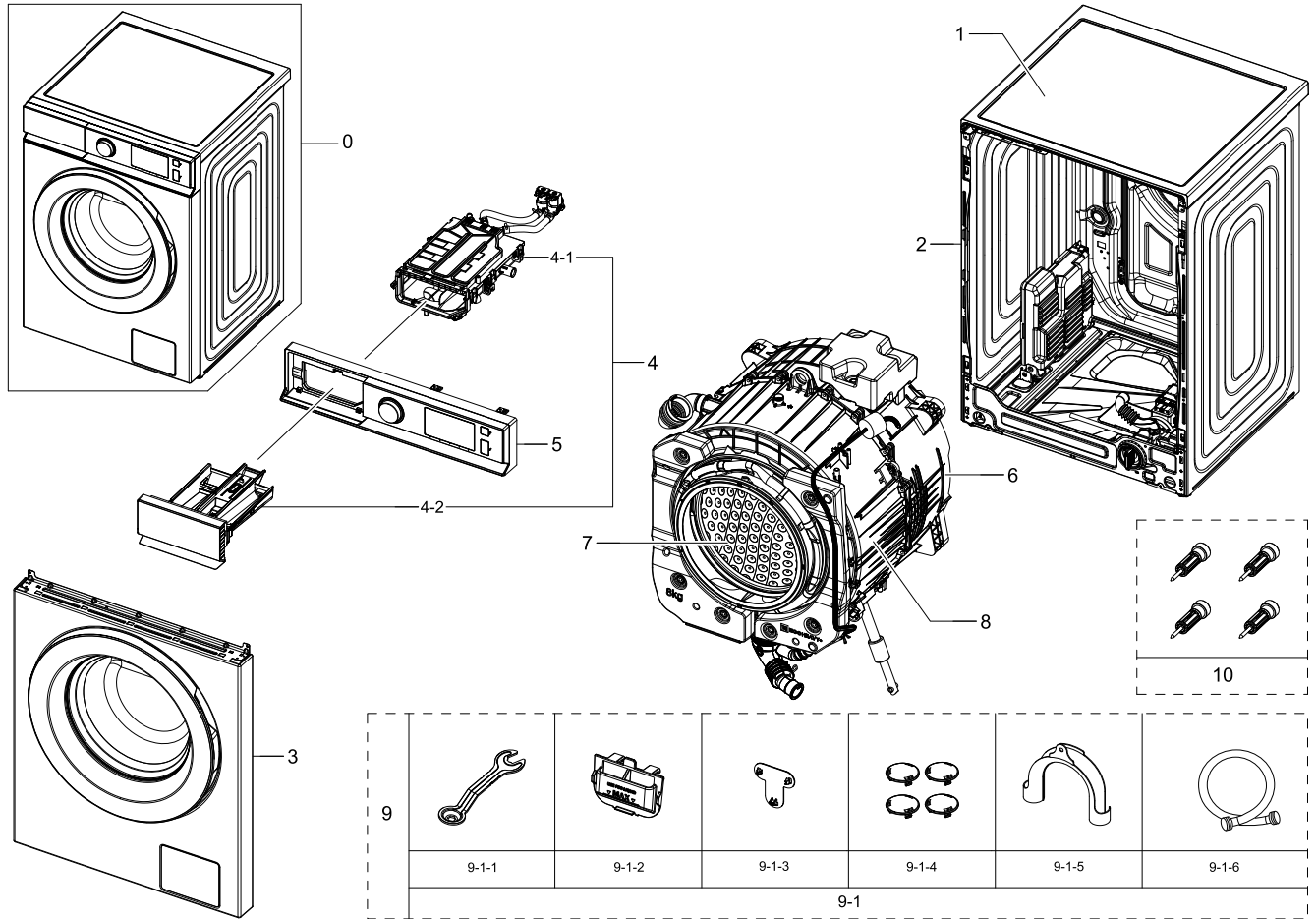


1. MAIN

MAIN

Exploded View



Parts List

No.	Lvl.	Loc.	Material Code	Description & Specification	SNA	Qty.
1	1		DC90-30538B	ASSY COVER TOP PARTS; B-PJT,DA WHITE	SNA	1
2	1		DC90-30531Q	ASSY FRAME PARTS; WW5000B,WHITE,NO L/S,NO	SNA	1
3	1		DC90-30533C	ASSY FRONT PARTS; WW5000B,WHT BODY,FLAT B	SNA	1
4	1		DC90-30639A	ASSY DRAWER PARTS; WW5000B, SIMPLE UX, BE	SNA	1
4-1	2		DC97-22247W	ASSY HOUSING DRAWER;WW7000D	SA	1
4-2	2		DC97-23345D	ASSY DRAWER-MODULE; B-PJT,WW7000B,WHITE B	SA	1
5	1		DC90-30541H	ASSY PANEL CONTROL PARTS; WW5000B,,bespok	SNA	1

Exploded Views and Parts List

No.	Lvl.	Loc.	Material Code	Description & Specification	SNA	Qty.
6	1		DC90-30535H	ASSY TUB BACK PARTS; B-PJT,WW5000B,NO SEN	SNA	1
7	1		DC90-30530A	ASSY DRUM PARTS; WW5000B,BIG CAPA,WASHER	SNA	1
8	1		DC90-30534A	ASSY TUB FRONT PARTS; WW5000B,NO SUPER SP	SNA	1
9	1		DC90-30537J	ASSY ACCESSORY PARTS; B700,GENERAL HOSE	SNA	1
9-1	2	W0718	DC98-04403N	ASSY ACCESSORY; D-PJT,AQUA HOSE	SNA	1
9-1-1	3	WJ5077	DC60-40146A	BOLT SPANER; -,CR-SPCC,T2.5,L166,-,-,-,-	SA	1
9-1-2	3		DC61-03510A	GUIDE LIQUID; WF-F500E,PP+TD30%,-,-,MT43,	SA	1
9-1-3	3	W0614	DC67-00208B	CAP-FIXER; WF8602NHS/XFA,PP,T1.5,-,COPO,B	SA	1
9-1-4	3	W0614	DC67-00307A	CAP-FIXER; WF438AAC/XAA,PP,T1.5,-,RM60C,B	SA	4
9-1-5	3		DC67-00357B	HOSE HANGER; U-PJT,PP,ID24.13,-,-,BLACK,-	SA	1
9-1-6	3	W0757	DC97-17845A	ASSY HOSE WATER; COLD,ALL MODEL	SA	1
10	2	W0603	DC97-14653L	ASSY FIXER TUB; SCOUT,WF0804Y8E/XEF,SEBS	SA	4

Exploded Views and Parts List

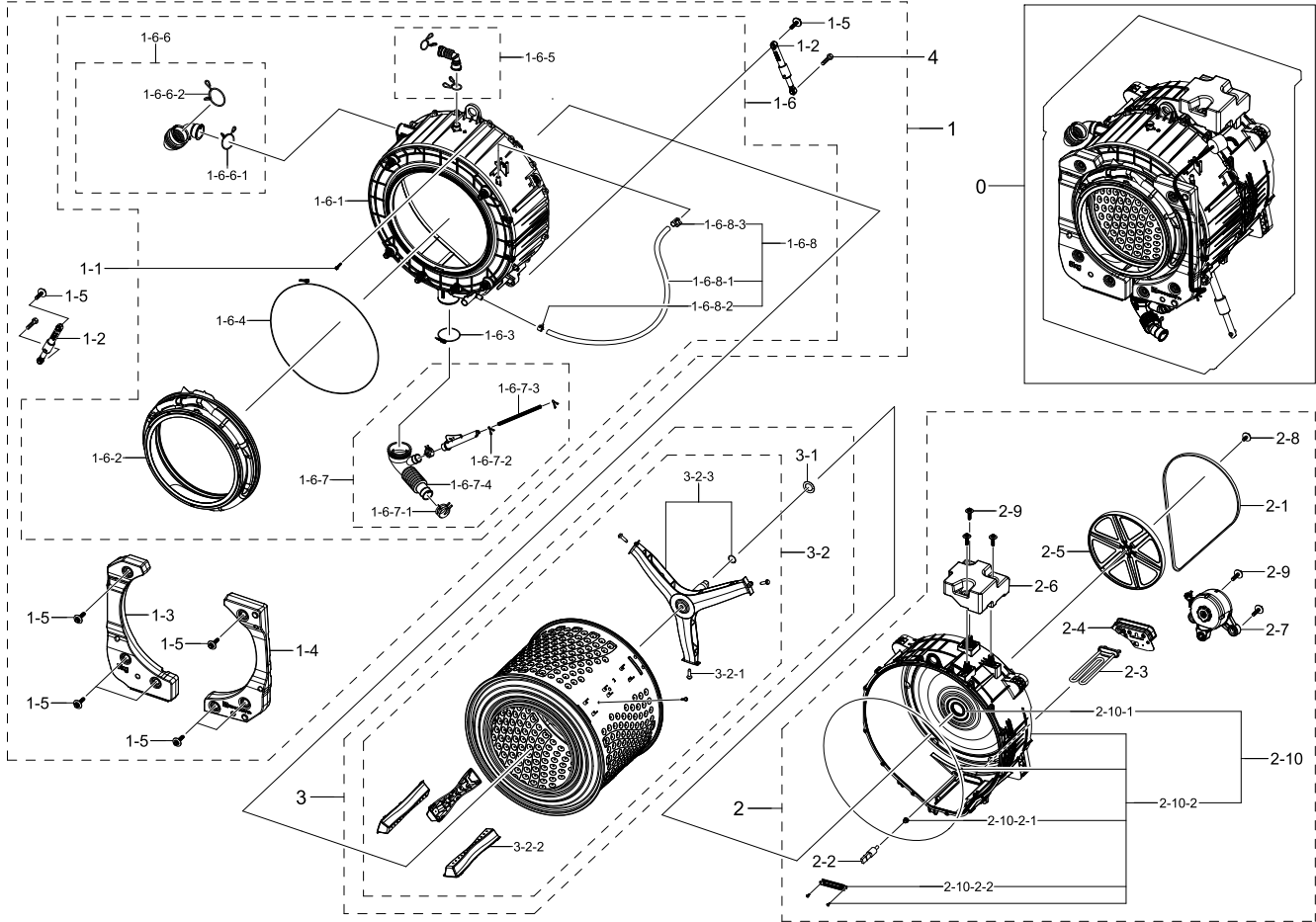
No.	Lvl.	Loc.	Material Code	Description & Specification	SNA	Qty.
1-7	2	M0030	DC97-14006A	ASSY SCREW; WF203,M4/L16	SA	2
1-8	2	W0604	DC97-16240G	ASSY HOSE DRAIN(O); WW5000B,ASSY,L2130,21	SA	1
1-9	2		DD61-00140A	BRACKET-TAPPING; SDW-T120B,SWRCH10A,T0.6,	SNA	2
1-10	2		DC97-23350F	ASSY FRAME-MODULE; B-PJT,WW5000B,T0.8,DA-	SA	1
1-10-1	3	W0244	DC61-05526D	FRAME; B-PJT,GI-SGCC,-,DA WHITE,T0.8,-,NO	SNA	1
1-11	2		DC97-22976A	ASSY FRAME FRONT-GUIDE; All model,ASSY GU	SA	2
1-12	2	G0430	DC97-23109B	ASSY COVER BACK; WW5000B,WW11BBA049ABEG,T	SA	1
1-13	2	W0194	DC97-17336L	ASSY PUMP DRAIN; WW6000T,BUBBLE,250V,ALL	SA	1
1-13-1	3		DC97-24496B	ASSY S.PUMP DRAIN; WW6000T,BUBBLE, 250V	SNA	1
1-13-1-1	4		DC31-00181A	MOTOR AC PUMP; DRUM & AUTO,B15-6A/S3019/S30	SA	1
1-13-1-2	4	M0041	DC97-19088A	ASSY HOSE DRAIN; F500E,WF80F5E5U4W,Black	SNA	1
1-13-1-2-1	5	U2015	DC67-00244C	HOSE DRAIN; WF0804Y8E,EPDM,ID6,T2.5,HS0,B	SA	1
1-13-1-2-2	5		DC61-10673C	CAP DRAIN; WF1802XEY/XSC,PP,-,-,RM60,BLAC	SA	1
1-13-1-3	4	W0514	DC97-19376E	ASSY CASE FILTER; WW6000T,BUBBLE,HALB	SA	1
1-13-1-3-1	5		DC63-00998B	FILTER PUMP; PP+TD20%,-,INNER GRAY,-,-,FC	SNA	1
1-13-1-3-2	5		DC69-01128A	PACKING-PUMP; WF8804DP,BUTYL,T2.5,HEBA-PJ	SA	1
1-13-1-3-3	5	WO0031	DC63-00905A	CUSHION PUMP; WF8802DPF/XET,NBR,T1.5,D14,	SA	1
1-13-1-4	4		DC31-00181E	MOTOR AC PUMP; Drum,S3032,2Pole,220-240V,	SA	1
1-13-2	3	G0422	DC97-17339B	ASSY HOSE AIR; WW5000J,BUBBLE,ID 19.3,BLK	SA	1
1-13-2-1	4	G0053	DC67-00671A	HOSE AIR TUB; F500,EPDM,ID19.3,T2.5,BLACK	SA	1
2	1		DC90-30538B	ASSY COVER TOP PARTS; B-PJT,DA WHITE	SNA	1
2-1	2	G0412	6002-000613	SCREW-TAPPING; SWRCH18A,ZPC(WHT),L16,M5,T	SNA	2
2-2	2	W0183	DC97-23363A	ASSY COVER TOP-MODULE; B-PJT,WW5000B,ABS+	SA	1
3	1		DC90-30539B	ASSY INNER PARTS; WW5000B,LED,NO LEAKAGE	SNA	1

No.	Lvl.	Loc.	Material Code	Description & Specification	SNA	Qty.
3-1	2	W0630	DC61-02029D	SPRING ETC-HANGER MODULE; WW6800M,HSWR,3.	SA	2
3-2	2		DC92-03256C	ASSY COVER PCB W/HARNESS; WW5000B,WW11BBA	SNA	1
3-2-1	3		DC27-00012A	COIL HARMONIC; 4.5mH,40x69x39mm,3A,-	SA	1
3-2-2	3		DC93-01034L	ASSY WIRE HARNESS-MAIN; DRUM-M,URETHANE D	SA	1
3-2-3	3		DC94-15140A	ASSY PCB EEPROM; 0xD028,WW5000B, B11, Mot	SA	1
3-2-4	3		DC63-02430E	SPONGE; U-PJT(SEPM),PU FOAM,T20,-,-,-,W20	SA	1
3-2-5	3		DC61-05550A	GUIDE COVER PCB; WW6000T(Urethane Delete)	SA	1
3-3	2	H2050	DC96-01703Q	SENSOR PRESSURE; Air,5V,L0,400mmH2O	SA	1
3-4	3	W0620	DC29-00015K	FILTER EMI; 6.5mH,53X95.5X53mm,15A,V(14D6	SA	1
4	2	W0467	DC96-00146H	POWER CORD-AT; H05VV-F 3x1.0mm2,GRY,EU3F,	SA	1

3. ASSY TUB & DRUM PARTS

ASSY TUB & DRUM PARTS

Exploded View



Parts List

No.	Lvl.	Loc.	Material Code	Description & Specification	SNA	Qty.
1	1		DC90-30534A	ASSY TUB FRONT PARTS; WW5000B,NO SUPER SP	SNA	1
1-1	2	G0049	6009-001367	BOLT-HEX; M6.5,L32,ZPC(WHT),HWH,+,SWRCH18	SA	15
1-2	2		DC66-00470G	DAMPER SHOCK-MODULE; 24" Drum,PP/RUBBER/S	SA	2
1-3	2		DC67-01109B	WEIGHT BALANCER-LEFT MODULE; WW6000T,CONC	SA	1
1-4	2		DC67-01110B	WEIGHT BALANCER-RIGHT MODULE; WW6000T,CON	SA	1
1-5	2	W0601	DC97-14263A	ASSY BOLT; MOTOR/BOLT(M8)+WASHER(OD27.5),	SA	8
1-6	2	G0048	DC97-23447A	ASSY TUB FRONT-MODULE; B PJT,WW5000B, No	SNA	1

No.	Lvl.	Loc.	Material Code	Description & Specification	SNA	Qty.
1-6-1	3		DC61-05514A	TUB FRONT; WW9000B,PP+GF30%,T3.5,NATURAL,	SA	1
1-6-2	3		DC64-03988C	DOOR DIAPHRAGM; WW5000B,TPE,T1.5,-,EK-104	SA	1
1-6-3	3	W0744	DC65-00021A	CLAMPER HOSE-JOINT; HEBA PJT,HSWR,-,-,-,-	SA	1
1-6-4	3	M0038	DC97-14618A	ASSY CLAMP DIAPHRAGM; WF8804DP,OD2.0/L124	SA	1
1-6-5	3	G0422	DC97-14873C	ASSY HOSE AIR; F500,WF80F5E5U4W	SA	1
1-6-6	3	G0043	DC97-14874F	ASSY HOSE DRAWER; F500E,ALL	SA	1
1-6-6-1	4		DC61-04117A	CLIP RING; -,HSWR,-,-,-,-,ID37,T3.0	SA	1
1-6-6-2	4	WJ0027	DC72-00001G	CLIP RING; HEBA-PJT,HSWR,-,-,-,HSWR-SWRH	SA	1
1-6-7	3	W0605	DC97-17330A	ASSY HOSE PRESSURE; 400mmH20,No PBA,WF80F	SA	1
1-6-7-1	4	W0615	DC61-00219C	CLAMPER HOSE; -,SK5,ID35,-,-,ZPC2	SA	1
1-6-7-2	4	WP0165	DC61-70029C	CLIP RING; SEW-HW125,HSWR,-,-,-,-,ID8.3,W	SA	2
1-6-7-3	4	W0725	DC67-00230E	HOSE WATER; WD8704,EPDM,ID4.5,-,HS0,DARK	SA	1
1-6-7-4	4	W0625	DC67-00551A	HOSE FILTER TUB; VOLGA,EPDM,ID64.5,T1.5,H	SA	1
1-6-8	3		DC97-22378A	ASSY HOSE CIRCULATION; WW6000T,WW90T684DL	SNA	1
1-6-8-1	4	G0052	DC67-00471E	HOSE CIRCULATION; F500E,EPDM,ID9,T2.75,BL	SA	1
1-6-8-2	4	W0615	DC65-00008A	CLAMPER HOSE; SEW-DR605,SK5,-,-,-,-,ID14.	SA	1
1-6-8-3	4	W0615	DC65-00008F	CLAMPER HOSE; F500E,SK5,-,-,-,-,ID14.2,-,	SA	1
2	1		DC90-30535H	ASSY TUB BACK PARTS; B-PJT,WW5000B,NO SEN	SNA	1
2-1	2	W0209	6602-003939	BELT-TIMING GEAR; RUBBER,BLK,T3.2,W11.7,L	SA	1
2-2	2	M0487	DC32-00010C	SENSOR TEMP; L120,3.243kohm,2%,60C,9.8phi	SA	1
2-3	2	W0237	DC47-00033B	HEATER WASH; AC230V,2000W,SUS316L,728mm,N	SA	1
2-4	2	W0235	DC63-01553A	COVER HEATER; F500 PJT,ABS,5VA,NATURAL,VE	SA	1
2-5	2	W0434	DC66-00767D	PULLEY MOTOR; WW7100A,PA6+GF60%,NATURAL,-	SA	1
2-6	2		DC67-01108A	WEIGHT BALANCER-UP MODULE; WW6000T,CONCRE	SA	1
2-7	2		DC93-00986A	ASSY MOTOR BLDC-MODULE; B-PJT,PWM 0~220V,	SA	1

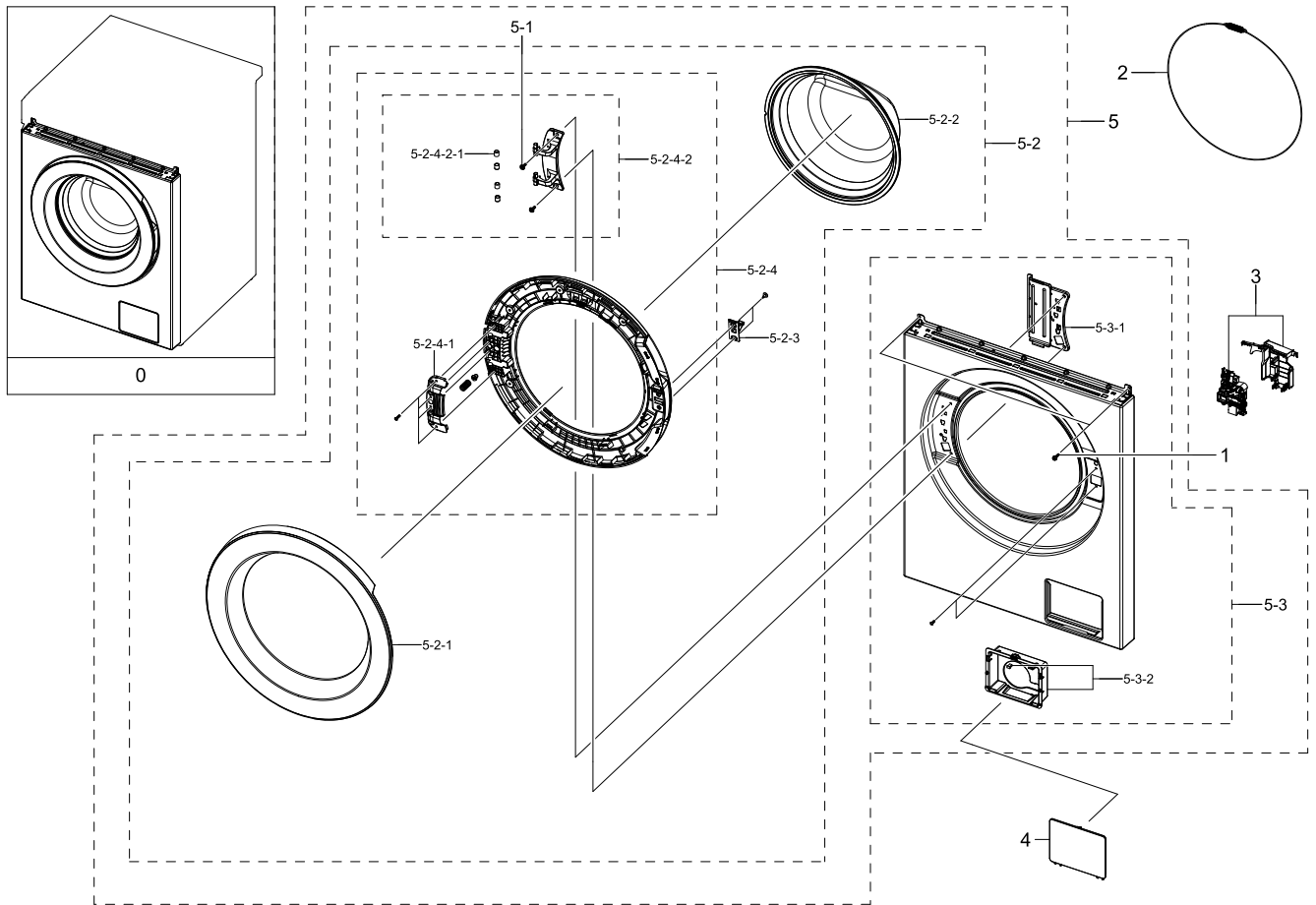
Exploded Views and Parts List

No.	Lvl.	Loc.	Material Code	Description & Specification	SNA	Qty.
2-8	2	W0601	DC97-06080F	ASSY BOLT; WD9500J,30,M12,Washer 38	SA	1
2-9	2	W0601	DC97-14263A	ASSY BOLT; MOTOR/BOLT(M8)+WASHER(OD27.5),	SA	5
2-10	2	W0501	DC97-23443D	ASSY TUB BACK; WW5000B,F5 MOTOR	SA	1
2-10-1	3	W0148	DC62-00156A	SEAL OIL; TS85-PJT,NBR,-,-,BLACK,-,-	SNA	1
2-10-2	3	G0029	DC97-23444C	ASSY SEMI TUB BACK; WW5000B,F5 MOTOR	SNA	1
2-10-2-1	4	M0028	DC69-00824A	PACKING-THERMISTOR; GW-PJT,EPDM,-,-,W17,H	SA	1
2-10-2-2	4	W0230	DC61-02874A	BRACKET HEATER; WD0704CQR,STS430,T0.5,-,-	SA	1
3	1		DC90-30530A	ASSY DRUM PARTS; WW5000B,BIG CAPA,WASHER	SNA	1
3-1	2		DC60-00132A	WASHER-SPRING; -,STS304,T0.5,-,-,ID35.2	SA	1
3-2	2	W0165	DC97-23445A	ASSY DRUM; WW9000B,-	SA	1
3-2-1	3	WJ5081	DC60-40137A	BOLT HEX; MARS-PJT,STS430,-,L30,-,-,HEX	SA	6
3-2-2	3		DC66-00827B	DRUM LIFTER; WW9000B,PP+TD20%,-,T3,-,FC22	SA	3
3-2-3	3	W0164	DC97-23524A	ASSY FLANGE SHAFT; WW9000B,ASSEMBLED RING	SA	1
4	2	G0049	DC60-40144A	BOLT HEX; F500,SM10C,T10,L35,DAMPER	SA	2

4. ASSY FRONT PARTS

ASSY FRONT PARTS

Exploded View



Parts List

No.	Lvl.	Loc.	Material Code	Description & Specification	SNA	Qty.
0	1		DC90-30533C	ASSY FRONT PARTS; WW5000B,WHT BODY,FLAT B	SNA	1
1	2	W0105	6002-001438	SCREW-TAPPING; SWRCH18A,ZPC(WHT),L12,M5,H	SA	2
2	2	W0608	DC91-12078D	ASSY WIRE DIAPHRAGM; HEBA-PJT,-,-,-,-,-	SA	1
3	2		DC97-22289C	ASSY COVER DOOR SWITCH; WW6000T	SA	1
4	2		DC63-02850A	COVER FILTER; WF8000R,ABS,T2.5,HB,DA WHIT	SA	1
5	2	W0253	DC97-23461B	ASSY FRAME FRONT; B-PJT,WW9000B,T0.8,DA W	SNA	1
5-1	3	G0425	6009-001522	SCREW-HEX; HWH,+,M5,L16,PASS,STS430,FP,SE	SA	2

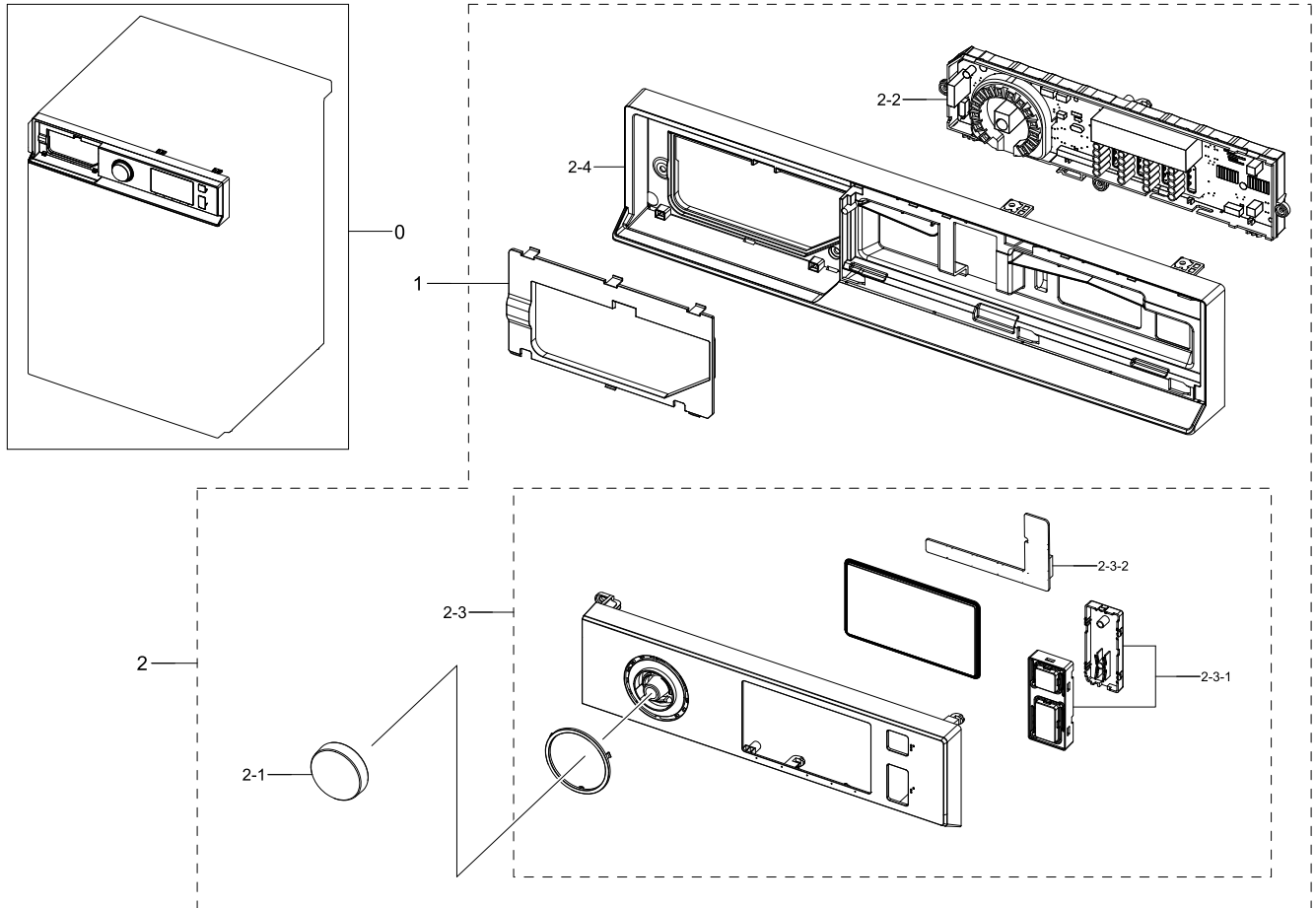
Exploded Views and Parts List

No.	Lvl.	Loc.	Material Code	Description & Specification	SNA	Qty.
5-2	3		DC97-23145B	ASSY DOOR-MODULE; B-PJT,WW5000B,BASIC, FL	SA	1
5-2-1	4		DC63-02888B	COVER DOOR; WW5000B,ABS,T3,HB,DA WHITE,-,	SNA	1
5-2-2	4	WD0070	DC64-01521A	DOOR GLASS; WF8804DP,GLASS,T5,-,-,NATURAL	SA	1
5-2-3	4	W0474	DC66-00375A	LEVER DOOR; 10KG DRUM, U-PJT,ZNDC,T2.5,-,	SA	1
5-2-4	4	W0454	DC97-23146A	ASSY HOLDER GLASS; B-PJT,WW5/9000B,NONADD	SNA	1
5-2-4-1	5		DC61-01915D	BRACKET HOLDER; WW4000J,GI-SGCC,T1.2,-,-,	SNA	1
5-2-4-2	5		DC97-23112A	ASSY HINGE DOOR; SU-PJT,WW7100A,ALDC,Meta	SNA	1
5-2-4-2-1	6	WD0090	DC61-00891A	GUIDE HINGE; HAUZEN(DOM),POM,-,HB,K300,NA	SA	4
5-3	3		DC97-23187B	ASSY FRAME FRONT-MODULE; B-PJT,WW9000B,DA	SA	1
5-3-1	4	W0226	DC61-02584A	BRACKET HINGE; U-PJT,GI-SGCC,T1.4	SA	1
5-3-2	4		DC97-23188A	ASSY FILTER GUIDE; B-PJT,WW9000B,RECYCLE	SA	1

5. ASSY PANEL CONTROL PARTS

ASSY PANEL CONTROL PARTS

Exploded View



Parts List

No.	Lvl.	Loc.	Material Code	Description & Specification	SNA	Qty.
0	1		DC90-30541H	ASSY PANEL CONTROL PARTS; WW5000B,,bespok	SNA	1
1	2		DC63-02886A	COVER SCREW; WW9000B,ABS,-,-,DA WHITE,-,H	SA	1
2	2		DC97-23357S	ASSY PANEL CONTROL-MODULE; B-PJT,WW5000B,	SNA	1
2-1	3		DC64-04068C	KNOB ENCODER; DV5000B,ABS,-,-,NATURAL,SIL	SA	1
2-2	3		DC92-01950J	ASSY PCB DISPLAY; HW,FWM_WASH,WW5000B,327	SA	1
2-3	3		DC97-23360N	ASSY COVER PANEL; B-PJT,WW5000B,LED,WHITE	SA	1
2-3-1	4	G0431	DC97-23361A	ASSY BUTTON; WW5000B,WHITE	SA	1

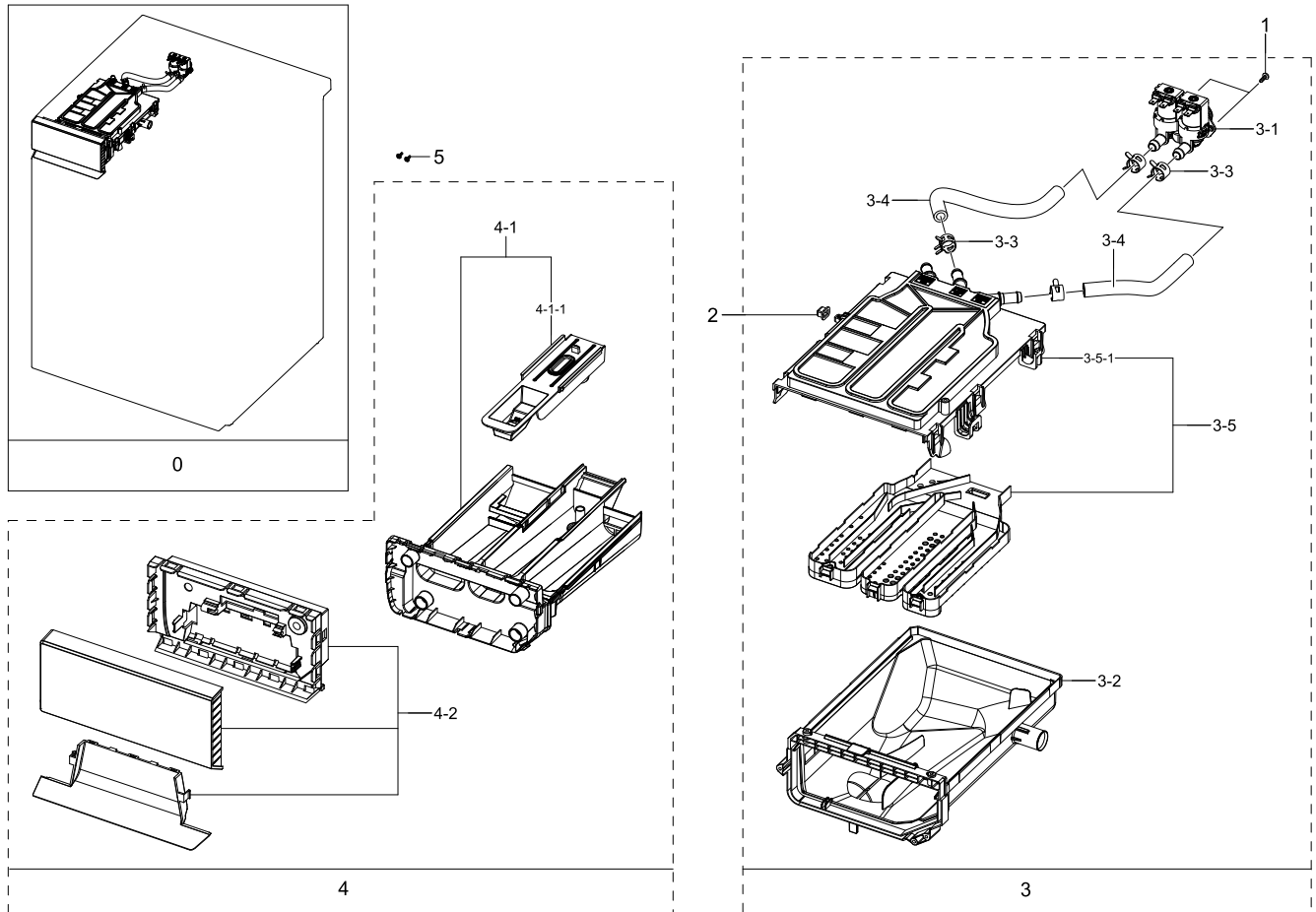
Exploded Views and Parts List

No.	Lvl.	Loc.	Material Code	Description & Specification	SNA	Qty.
2-3-2	4		DC92-03131B	ASSY PBA MODULE-TOUCH; TOUCH SENSOR,WW500	SNA	1
2-4	3	W0180	DC64-04118A	PANEL CONTROL; WW9000B,ABS,-,-,HG-0760CC,	SA	1

6. ASSY DRAWER PARTS

ASSY DRAWER PARTS

Exploded View



Parts List

No.	Lvl.	Loc.	Material Code	Description & Specification	SNA	Qty.
0	1		DC90-30639A	ASSY DRAWER PARTS; WW5000B, SIMPLE UX, BE	SNA	1
1	2	F0056	6003-001768	SCREW-TAPTYPE; SWRCH18A,ZPC(WHT),L10,M4,T	SNA	2
2	2		DC67-00327A	CAP DRAWER HOOK; HEBA-PJT,EPDM,-,-,-,BLAC	SA	1
3	2		DC97-22247W	ASSY HOUSING DRAWER;WW7000D	SA	1
3-1	3		DC33-01010A	VALVE WATER; DC12V,Bracket,mm,#250,1,2,11	SA	1
3-2	3	W0372	DC61-03473A	HOUSING DRAWER-LOW; WF-F500E,PP+TD30%,-,N	SA	1
3-3	3	W0615	DC65-00008A	CLAMPER HOSE; SEW-DR605,SK5,-,-,-,ID14.	SA	4

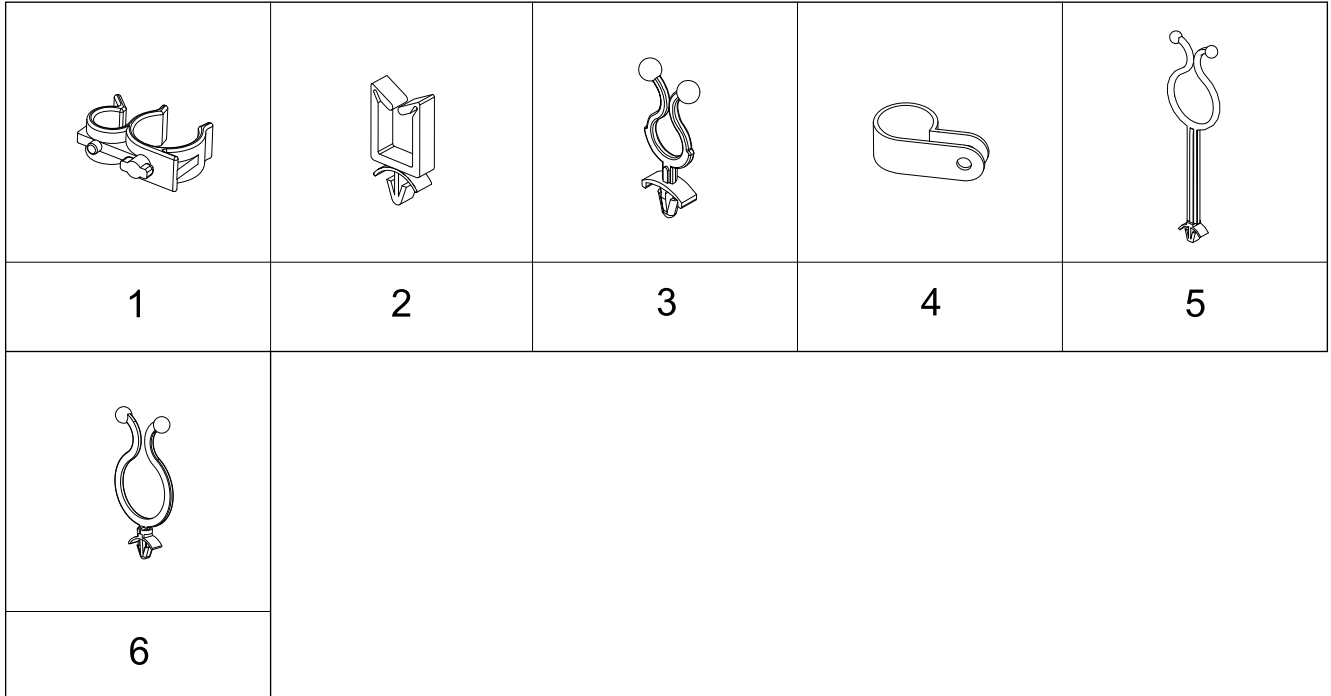
Exploded Views and Parts List

No.	Lvl.	Loc.	Material Code	Description & Specification	SNA	Qty.
3-4	3	W0151	DC67-00051T	HOSE DRAWER; F500E,EPDM,ID9.0,OD14.5,L230	SA	2
3-5	3	W0497	DC97-17347F	ASSY S.HOUSING DRAWER; WW5000B,B-PJT	SA	1
3-5-1	4		DC61-03475G	HOUSING DRAWER-UP; WW5000B,PP+TD30%,T2,NA	SNA	1
4	2		DC97-23345D	ASSY DRAWER-MODULE; B-PJT,WW7000B,WHITE B	SA	1
4-1	3	W0216	DC97-23346A	ASSY DRAWER; WW7000B,WW11BB704AGE,NON-AOW	SA	1
4-1-1	4		DC67-01273B	CAP RINSE; WW5000B,PP+TD30%,T1.5,-,MT43,H	SA	1
4-2	3	W0158	DC97-23348D	ASSY PANEL DRAWER; B-PJT,WW7000B,N-AD,WHI	SA	1
5	2	F0055	6003-000226	SCREW-TAPTYPE; SWRCH18A,ZPC(WHT),L8,M4,TH	SC	2

7. SMALL PARTS

SMALL PARTS

Exploded View



Parts List

No.	Lvl.	Loc.	Material Code	Description & Specification	SNA	Qty.
1	2	W0615	DC61-00133D	CLAMPER HOSE; WW80T554,PP,BLACK,-,-,SSPP-	SNA	2
2	2	M0001	DC61-00553B	CABLE CLAMP; DAWS-3NE,PA66,NTR	SA	2
3	2		6502-000127	CABLE CLAMP; DAWH-18NB,PA66,NTR	SA	1
4	2		DC65-20010A	CABLE CLAMP; PA66,NTR,DA-9N-1	SNA	1
5	2	WI0293	DC61-00995C	HOLDER WIRE; HEBA-PJT,PA66,-,NATURAL,-,-,	SA	1
6	2	W0623	DC61-40083A	HOLDER WIRE; DAWH-3ND,PA66,-,NATURAL,-,-,	SA	1