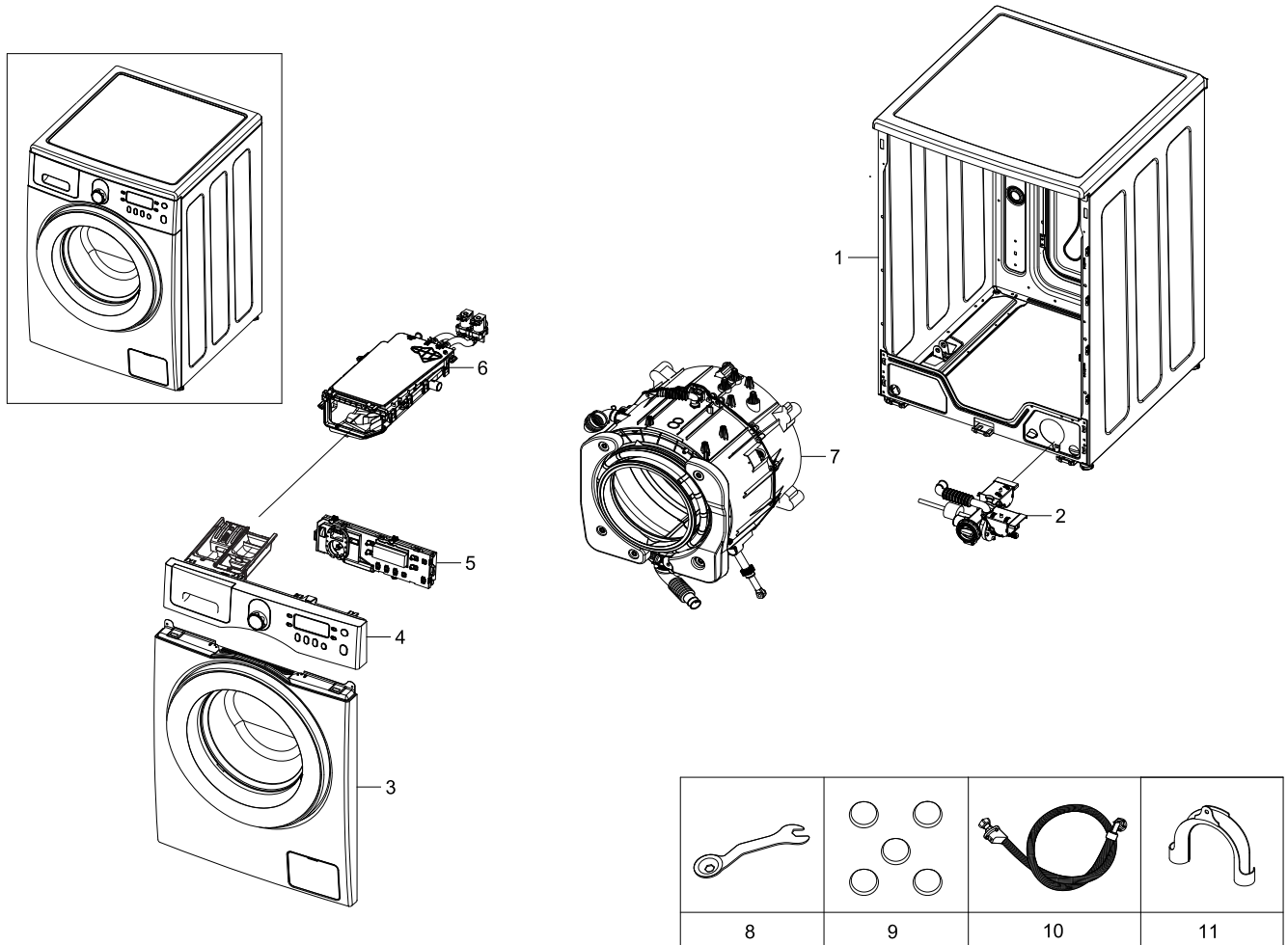


# 1. Main

## Exploded View



## Parts List

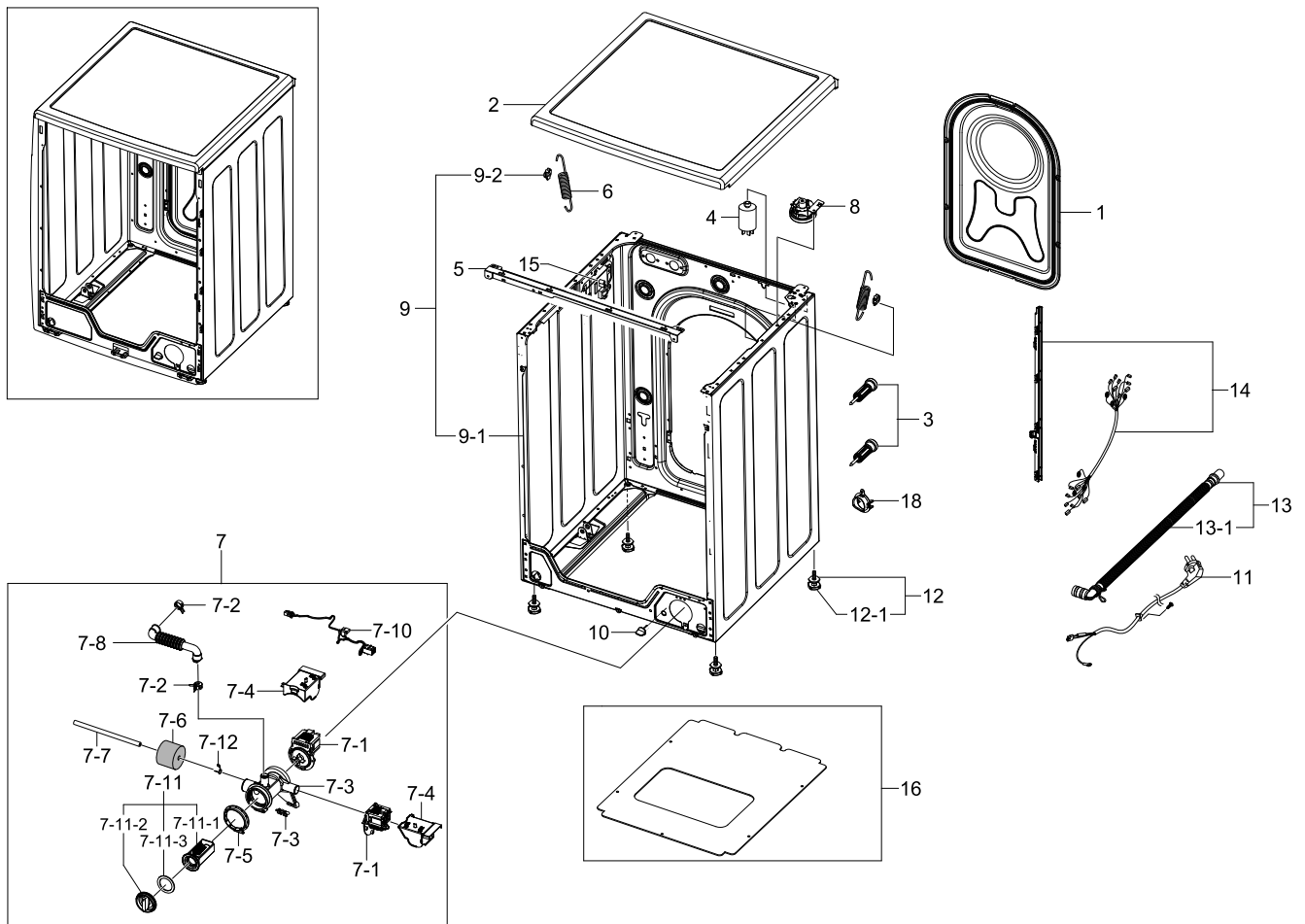
No.	Parent	Lvl.	Loc.	Material Code	Description & Specification	SNA	Qty.
1	DC90-08154A	2	W0506	DC97-16499C	ASSY FRAME; VISTULA,WF1802WPC2/XEC,GI(PCM	SNA	1
2	DC90-08113A	2	W0194	DC97-15696E	ASSY PUMP DRAIN; SCOUT-PJT,WF0804Y8E/XEF,	SA	1
3	DC90-08325A	2	W0253	DC97-15006N	ASSY FRAME FRONT; VISTULA-SEPM,WF1704WPC2	SNA	1
4	DC90-08325A	2	W0478	DC97-16901D	ASSY PANEL CONTROL; VISTULA,WF1802WPC2/XE	SA	1
5	DC90-08325A	2	W0701	DC92-00917B	ASSY PCB MAIN UNION; Vistula best,WF1804W	SA	1
6	DC90-08113A	2	W0163	DC97-16005Q	ASSY HOUSING DRAWER; SCOUT,WF0804Y8E,COLD	SA	1
7	WF1802WPC2/XEP	1	W0502	DC90-08198A	ASSY TUB & DRUM; VISTULA,WF1802WPC2/XEC	SNA	1

Exploded Views and Parts List

No.	Parent	Lvl.	Loc.	Material Code	Description & Specification	SNA	Qty.
8	DC90-08242A	2	W0611	DC60-40146A	BOLT-SPANER; -,CR,-,T2.5,OD36,-,-,-,-	SA	1
9	DC90-08154A	2	W0613	DC61-10673A	CAP-DRAIN; SWF-P12,PP,-,-,-,NTR,-	SA	1
10	DC90-08242A	2	W0757	DC97-16921A	ASSY HOSE WATER; HEBA,WF8804,REFLEX,L1450	SA	1
11	DC90-08242A	2	W0626	DC62-10278A	HOSE-HANGER; PUMP MODEL,PP,BLK,RM60 RESIN	SA	1

## 1.1. Frame&Cover Parts

### Exploded View



### Parts List

No.	Parent	Lvl.	Loc.	Material Code	Description & Specification	SNA	Qty.
1	DC90-08325A	2	G0430	DC97-15809A	ASSY COVER BACK; GRIFFIN PJT,WF9904RWE/XE	SA	1
2	DC90-08325A	2	W0183	DC97-14953A	ASSY COVER TOP; HEBA-PJT,-,WOOD+AL FOIL+U	SA	1
3	DC90-08325A	2	W0603	DC97-14653C	ASSY FIXER TUB; SCOUT,WF0804Y8E/XEF	SA	4
4	DC90-08113A	2	W0229	DC29-00005D	FILTER-EMI; FA-2151T-4 / RDFC-2718,1.2mm	SA	1
5	DC90-08113A	2	W0721	DC97-15363A	ASSY FRAME PLATE(U); HEBA,ALL,GI,T1.2,600	SA	1
6	DC90-08113A	2	W0630	DC61-02029A	SPRING ETC-HANGER; HEBA,HSWR,CD3.5,ID24.8	SA	2
7	DC90-08113A	2	W0194	DC97-15696E	ASSY PUMP DRAIN; SCOUT-PJT,WF0804Y8E/XEF,	SA	1
7-1	DC97-15696E	3	M0022	DC31-00030A	PUMP-DRAIN; B20-6,220V,50Hz,-,HANYU	SA	2

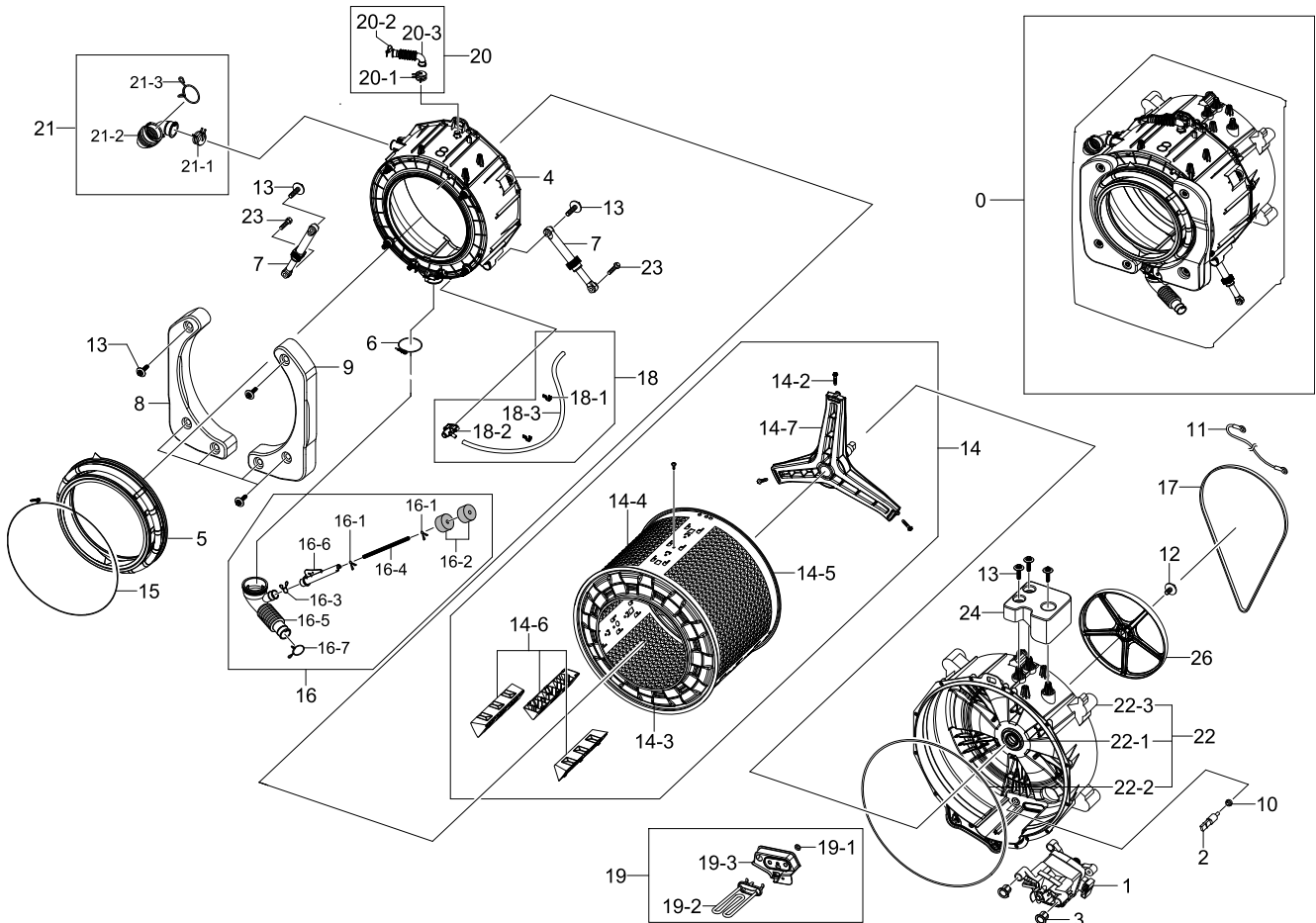
Exploded Views and Parts List

No.	Parent	Lvl.	Loc.	Material Code	Description & Specification	SNA	Qty.
7-2	DC97-15696E	3	W0615	DC61-00158A	CLAMPER HOSE; SW65ASP,SK5,ID23,T0.8/YEL	SA	2
7-3	DC97-15696E	3		DC63-00905A	CUSHION-PUMP; WF8802DPF/XET,NBR,-,W37.6,L	SA	1
7-4	DC97-15696E	3	W0213	DC63-00830A	COVER-PUMP; COVER-PUMP,PP,T2.1,W60.5,L75,	SA	2
7-5	DC97-15696E	3		DC69-01128A	PACKING-PUMP; WF8804DP,RUB-OTH,BUTYL,T2.5	SA	1
7-6	DC97-14637C	3	G0054	DC63-10003C	ABSORBER SPONGE; SWF-P12,PU-FOAM,GRY	SA	1
7-7	DC97-15696E	3	U2015	DC67-00244C	HOSE-DRAIN; WF0804Y8E,EPDM,ID6,OD11,T2.5,	SA	1
7-8	DC97-15696E	3	G0053	DC67-00461A	HOSE-AIR TUB; SCOUT- PJT,EPDM,T1.5,BLK	SA	1
7-10	DC97-15696E	3	W0224	DC93-00016C	ASSY WIRE HARNESS-PUMP; GRIFFIN,CIRCULTIO	SA	1
7-11	DC97-15696E	3	G0050	DC97-15695A	ASSY FILTER; GRIFFIN-PJT,WF9804RWE,PP+EPD	SA	1
7-11-1	DC97-15695A	4	W0633	DC63-00998A	FILTER-PUMP; WF8702LSW,PP,T2.0,W52.8,L93.	SA	1
7-11-2	DC97-15695A	4		DC64-01317A	HANDLE-FILTER; HANDLE-FILTER,PP,T2.5,W55,	SA	1
7-11-3	DC97-15695A	4		DC73-00022A	SEAL-PACKING; SEW-HVR149ATA,EPDM,BLK,40	SNA	1
7-12	DC97-15696E	3	W0615	DD65-00001F	CLAMPER HOSE; HSWR,D10.5/T1.2	SA	1
8	DC90-08113A	2	W0607	DC96-01703A	ASSY SENSOR PRESSURE; AEGIS-PJT,-,-,DRUM	SA	1
9	DC90-08154A	2	W0506	DC97-16499C	ASSY FRAME; VISTULA,WF1802WPC2/XEC,GI(PCM	SNA	1
9-1	DC97-16499C	3	W0244	DC61-02172A	FRAME; HEBA-PJT,EGI-SECC,DA WHT,T0.8,W598	SNA	1
9-2	DC97-15690A	4	W0140	DC61-02065A	GUIDE-SPRING; WF448AAG/XXA,POM,T4,W24,L25	SA	1
10	DC90-08154A	2	W0613	DC61-10673A	CAP-DRAIN; SWF-P12,PP,-,-,NTR,-	SA	1
11	DC90-08325A	2	W0081	DC96-00146A	ASSY POWER CORD; UCP2,250V/16A,-,1500/EUR	SA	1
12	DC90-08154A	2	W0606	DC97-00920C	ASSY LEG; SEW-HW108,AUSTRALIA MODELS,L48.	SA	4
12-1	DC97-00920C	3	W0606	DC97-00920B	ASSY LEG; SEW-DR605WB,BUILT-IN/BOLT+BUTYL	SNA	4
13	DC90-08154A	2	W0604	DC97-02250S	ASSY HOSE DRAIN(O); HEBA-COMBO,WD8704DJF,	SA	1
13-1	DC97-02250S	3	G0416	DC67-00330B	HOSE-PUMP; WF8802DPF,PP,ID20.6,OD27,-,L18	SNA	1
14	DC90-08113A	2	W0080	DC93-00273E	ASSY M.GUIDE WIRE HARNESS; VISTULA,WF1804	SA	1

No.	Parent	Lvl.	Loc.	Material Code	Description & Specification	SNA	Qty.
15	DC92-00917B	3	W0469	DC92-00655B	ASSY PCB SUB; Vistula BEST SUB,WF1802WSV/	SNA	1
16	DC90-08154A	2	W0629	DC64-01757B	SHUTTER; HEBA-PJT,PP,T2.0,W433.0,L536.5,W	SA	1
18	DC90-08154A	2	G0415	DC61-00274C	GUIDE-HOSE; P/PV/M,PP,BLK,FRAME/DRAIN-HOS	SA	1

# 1.2. Assy Tub&Drum

## Exploded View



## Parts List

No.	Parent	Lvl.	Loc.	Material Code	Description & Specification	SNA	Qty.
0	WF1802WPC2/XEP	1	W0502	DC90-08198A	ASSY TUB & DRUM; VISTULA,WF1802WPC2/XEC	SNA	1
1	DC90-08198A	2	W0086	DC31-00002M	MOTOR UNIVERSAL-DRUM; MCC 52/64-148/SEC4,	SA	1
2	DC90-08198A	2	M0487	DC32-00010A	THERMISTOR; -,11982OHM AT 25-,-55~155	SA	1
3	DC90-08198A	2		DC61-02549A	BUSH-MOTOR; HEBA BIGBANG,NYLON,ID16,OD19,	SA	2
4	DC97-16129A	3	W0632	DC61-01932D	TUB-FRONT; HEBA PJT,FRPP,ID528,OD575,NTR,	SA	1
5	DC90-08198A	2	W0234	DC64-01602A	DOOR-DIAPHRAGM; HEBA-PJT,EPDM,T2.0,-,-,-,	SA	1
6	DC90-08198A	2	W0744	DC65-00021A	CLAMPER HOSE-JOINT; HEBA PJT,HSWR,-,ID74/	SA	1
7	DC90-08198A	2	W0618	DC66-00531C	DAMPER-SHOCK; HEBA,STEEL+PP+RUBBER,80N,W2	SA	2

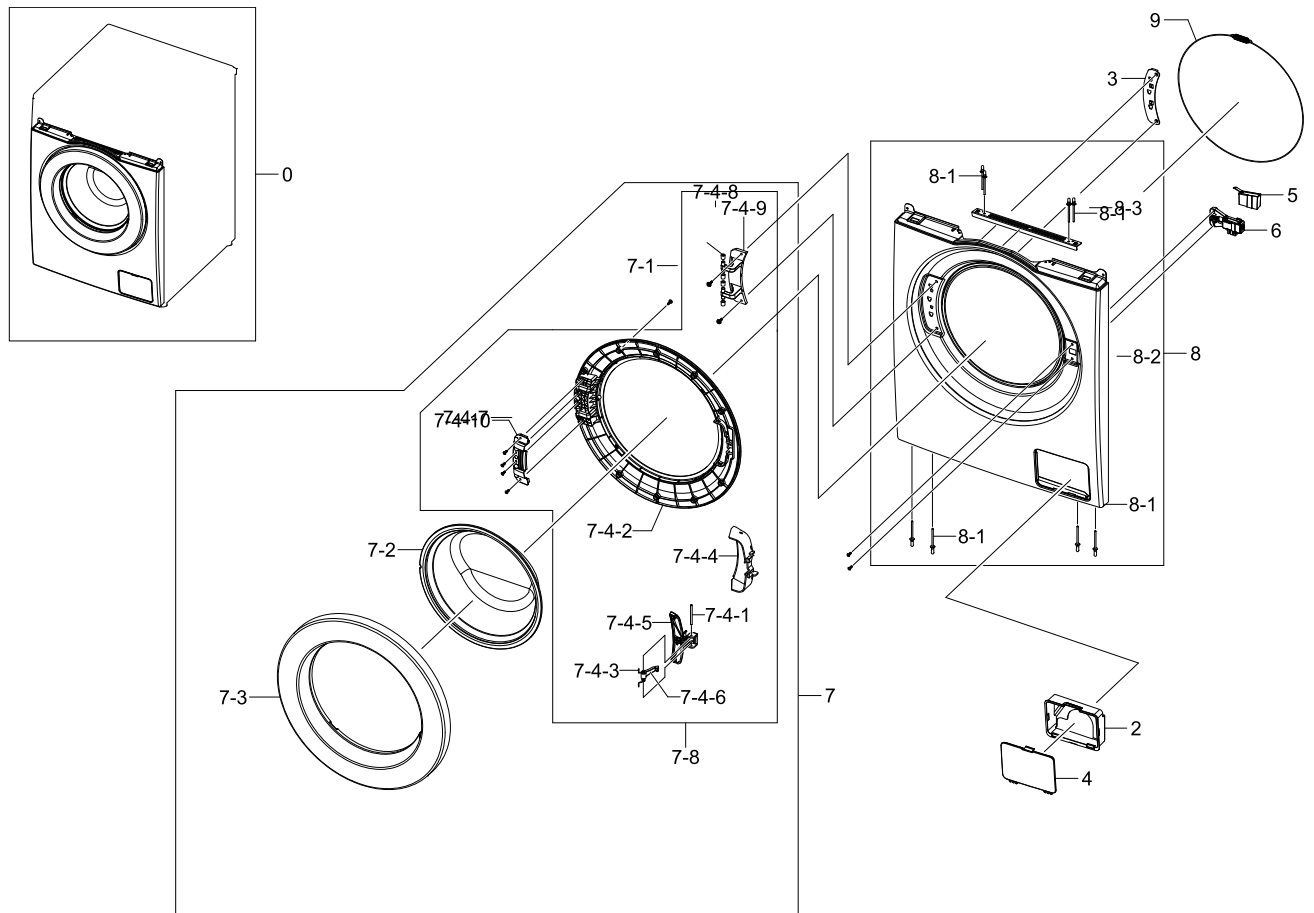
No.	Parent	Lvl.	Loc.	Material Code	Description & Specification	SNA	Qty.
8	DC90-08198A	2		DC67-00628B	WEIGHT-BALANCE(L); SEINE,CONCRETE,T45,W24	SA	1
9	DC90-08198A	2		DC67-00629B	WEIGHT-BALANCE(R); SEINE,CONCRETE,T45,W24	SA	1
10	DC90-08198A	2	M0028	DC69-00824A	PACKING-THERMISTOR; GW-PJT,EPDM,EPDM,-,W1	SA	1
11	DC90-08198A	2	W0503	DC96-01327B	ASSY WIRE HARNESS; HEBA-PJT,-,TUB EARTH	SA	1
12	DC90-08198A	2	W0601	DC97-06080A	ASSY BOLT; SEW-3HR107,BOLT+WASHER,-,-,-	SA	1
13	DC90-08198A	2	W0601	DC97-14263A	ASSY BOLT; HEBA-PJT,MOTOR/BOLT(M8)+WASHER	SA	10
14	DC90-08198A	2	W0165	DC97-14371C	ASSY DRUM; HEBA,WF8800DPF/WF8802DPF,598*8	SA	1
14-2	DC97-14371C	3	G0049	DC60-40137A	BOLT-HEX; MARS-PJT,STS430,M8,P1.25,L30,HE	SA	3
14-3	DC97-14371C	3	W0748	DC66-00489B	DRUM-FRONT; HEBA PJT(8kg),STS430,ID310.7,	SNA	1
14-4	DC97-14371C	3		DC66-00491A	DRUM-WRAPPER; HEBA PJT/8.0kg,STAINLESS-ST	SNA	1
14-5	DC97-14371C	3	W0747	DC66-00492C	DRUM-BACK; HEBA PJT,STAINLESS-STS430,ID48	SNA	1
14-6	DC97-14371C	3	W0619	DC66-00493A	DRUM-LIFTER; HEBA PJT,PP-TI42,L247.5,NTR,	SA	3
14-7	DC97-14371C	3	W0164	DC97-14370A	ASSY FLANGE SHAFT; HEBA PJT,6205/6204,-,1	SA	1
15	DC90-08198A	2	M0038	DC97-14618A	ASSY CLAMP DIAPHRAGM; WF8804DP,OD2.0/L243	SA	1
16	DC90-08198A	2	W0605	DC97-14637C	ASSY HOSE PRESSURE; HEBA-COMBO,WD8704DJF,	SA	1
16-1	DC97-14637C	3	M0005	DC61-70029C	SPRING-CLIP; SEW-HW125,HSWR,CD1.2,ID8.3,O	SA	1
16-2	DC97-14637C	3	G0054	DC63-10003C	ABSORBER SPONGE; SWF-P12,PU-FOAM,GRY	SA	1
16-3	DC97-14637C	3	W0610	DC65-60125B	CLIP-RING; HSWR,T2.4,PI25,YEL	SNA	1
16-4	DC97-14637C	3	W0725	DC67-00230E	HOSE-WATER; WD8704,TPE,ID4.5,OD8.0,T1.75,	SNA	1
16-5	DC97-14637C	3	W0625	DC67-00293A	HOSE-FILTER TUB; HEBA-PJT,EPDM,-,T2.5,-	SNA	1
16-6	DC97-14637C	3		DC67-00297A	HOSE-JOINT AIR; HEBA & Aegis-PJT,PP,ID22,OD	SNA	1
16-7	DC97-14637C	3	W0610	DC72-00001H	CLIP-RING; HEBA-PJT,HSWR,PI3.0,ID35,WHT,H	SNA	1
17	DC90-08198A	2	W0209	6602-001497	BELT-TIMING GEAR; -,RUBBER(GATES),T3.4,-,	SA	1
18	DC90-08198A	2	G0421	DC97-15993A	ASSY HOSE-CIRCULATION; SCOUT,WF0804Y8E,EP	SA	1

Exploded Views and Parts List

No.	Parent	Lvl.	Loc.	Material Code	Description & Specification	SNA	Qty.
18-1	DC97-15993A	3	G0415	DC61-02646A	GUIDE-HOSE; WF0804Y8E,PP,T2.0,W10.0,L36.6	SNA	2
18-2	DC97-15993A	3	G0055	DC67-00462A	HOSE-CONNECTOR; WF0804Y8E,PP,NTR,SCOUT-PJ	SNA	1
18-3	DC97-15993A	3	G0052	DC67-00471A	HOSE-CIRCULATION; WF0804Y8E,EPDM,ID9.0,OD	SNA	1
19	DC90-08198A	2	G0420	DC97-14827G	ASSY HEATER; SEPM,230V/ 2000W,CERAMIC/ NT	SNA	1
19-1	DC97-14827G	3	W0110	6031-001531	WASHER-PLAIN; SCP1,ID7,OD14,T1.2,ZPC2(YEL	SA	1
19-2	DC97-14827G	3	W0237	DC47-00033A	HEATER-WASH; HEBA,SUS316L+CERAMIC COATING	SA	1
19-3	DC97-14827G	3	W0235	DC63-00889C	COVER-HEATER; HEBA_120V,ABS+PC,T3.0,W160.	SA	1
20	DC97-16129A	3	G0422	DC97-14873A	ASSY HOSE AIR; WF8804DP,-,HOSE-AIR+BAND-R	SA	1
20-1	DC97-14873A	4	W0615	DC61-00158A	CLAMPER HOSE; SW65ASP,SK5,ID23,T0.8/YEL	SA	1
20-2	DC97-14873A	4	F0100	DC65-60118J	CLIP-RING; HSWR,WHT,PI2.0/ID23	SA	1
20-3	DC97-14873A	4	W0437	DC67-00298A	HOSE-AIR; HEBA PJT,EPDM,-,-,T2.5,-,BLK,-	SA	1
21	DC97-16129A	3	G0043	DC97-14874C	ASSY HOSE DRAWER; HEBA BIGBANG,WF0800NCE,	SA	1
21-1	DC97-14874C	4	W0615	DC61-00219G	CLAMPER HOSE; HEBA BIGBANG,SK5,ID37/OD39/	SNA	1
21-2	DC97-14874C	4	W0624	DC67-00422A	HOSE-DRAWER TUB; HEBA-PJT,EPDM,ID42.5,OD4	SC	1
21-3	DC97-14874C	4	W0610	DC72-00001G	CLIP-RING; HEBA-PJT,HSWR,T2.4,ID49.5,W18,	SA	1
22	DC90-08198A	2	W0501	DC97-15440B	ASSY TUB BACK; HEBA,WF8702,7.0kg,PP,-,-	SA	1
22-1	DC97-15440B	3	W0148	DC62-00008A	SEAL-OIL; NBR,BLK,NBU(PI15)	SA	1
22-2	DC97-15440B	3	W0740	DC69-01154A	PACKING-TUB; WF8804DP,EPDM,EPDM,T5.0,-,L1	SA	1
22-3	DC97-15011C	4	W0726	DC61-01934B	TUB-BACK; HEBA,FRPP,GF15%,NTR,7kg 1200/10	SNA	1
23	DC90-08113A	2	G0049	6011-001644	BOLT-HEX; M10,L35,ZPC2(YEL),SM10C,DAMPER	SA	2
24	DC90-08113A	2		DC67-00627B	WEIGHT-BALANCE(U); HEBA,SCOUT,GRIFFIN,CON	SA	1
26	DC90-08198A	2	W0088	DC66-00530A	PULLEY-MOTOR; HEBA-PJT,ALDC12,-,-,-,OD296	SA	1

## 1.3. Assy Frame Front&Door

### Exploded View



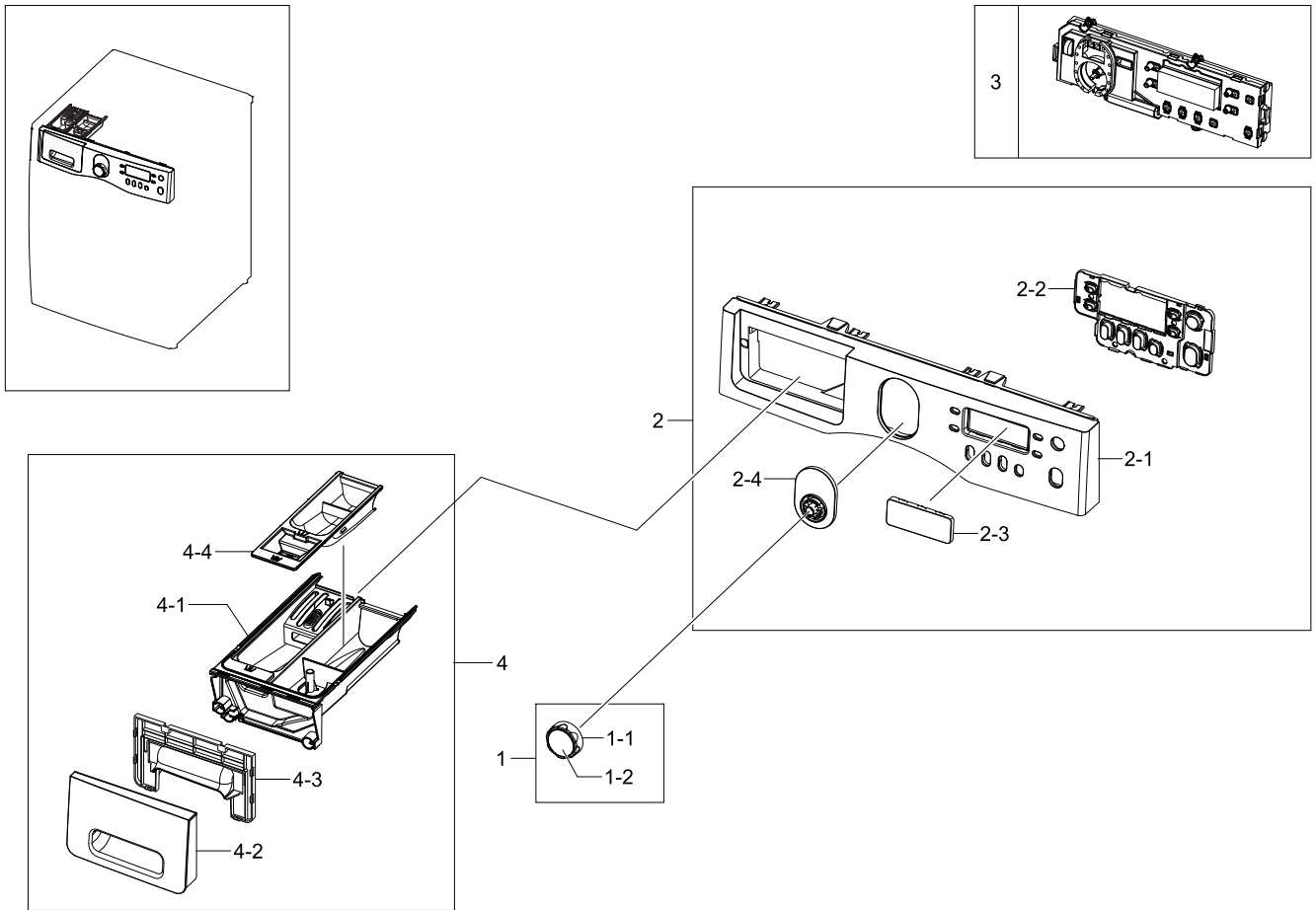
### Parts List

No.	Parent	Lvl.	Loc.	Material Code	Description & Specification	SNA	Qty.
0	DC90-08325A	2	W0253	DC97-15006N	ASSY FRAME FRONT; VISTULA-SEPM,WF1704WPC2	SNA	1
2	DC97-15006N	3	W0228	DC61-01917A	GUIDE-FILTER; WF8804DP,HIPS,T2.5,W300,L20	SA	1
3	DC97-15006N	3	W0226	DC61-01919A	BRACKET-HINGE; WF8804DP,GI,T1.4,W30,L161,	SA	1
4	DC97-15006N	3	W0516	DC63-00854A	COVER-FILTER; WF8804DP,ABS,T2.0,W300,L200	SA	1
5	DC97-15006N	3	W0435	DC63-00967A	COVER-DOOR SWITCH; AEGIS-PJT/ WF8500NHW,P	SA	1
6	DC97-15006N	3	W0225	DC64-01538A	DOOR-LOCK S/W; ZV-446L5,PA66,T19.5,W95,BL	SA	1
7	DC97-15006N	3	W0459	DC97-15005H	ASSY DOOR; VISTULA-SEPM,WF1704WPC2,ABS,CH	SA	1
7-1	DC97-15005H	4	W0105	6002-000444	SCREW-TAPPING; TH,+,2,M4,L14,PASS,STS430	SA	10

No.	Parent	Lvl.	Loc.	Material Code	Description & Specification	SNA	Qty.
7-2	DC97-15005H	4	W0448	DC64-01521A	DOOR-GLASS; WF8804DP, NON-HeatTreatment GL	SA	1
7-3	DC97-15005H	4	W0440	DC63-00856C	COVER-DOOR; WF1804WPC/XEU, ABS, T2.5, OD480,	SA	1
7-4-1	DC97-15375A	5	G0426	6043-001093	PIN-PARALLEL(KEY); A, OD3, L40, PASS, STS204	SA	1
7-4-2	DC97-15375A	5	G0427	DC61-01909A	HOLDER GLASS; WF8804DP, PP, T3.0, W479.5, L47	SA	1
7-4-3	DC97-15375A	5	W0142	DC61-02027A	SPRING ETC-LEVER; STAINLESS-ST304, CD1.2,	SA	1
7-4-4	DC97-15375A	5	W0173	DC63-00853D	COVER-HANDLE; HIPS, T2.5, W60, NOBLE GREY	SA	1
7-4-5	DC97-15375A	5	W0722	DC64-01524A	HANDLE DOOR; WF8804DP, ABS, T2.5, W43, L113, G	SA	1
7-4-6	DC97-15375A	5	W0474	DC66-00497C	LEVER-DOOR; WF8804DP, ZNDC, T10, W10, L46	SA	1
7-4-7	DC97-15005H	4	W0105	6002-001306	SCREW-TAPPING; TH, +, 1, M4, L14, ZPC(WHT), SWR	SA	3
7-4-8	DC97-15005H	4	W0220	DC61-00891A	GUIDE-HINGE; HAUZEN(DOM), POM, -, -, -, WHT, HI	SA	4
7-4-9	DC97-15005H	4	W0219	DC61-01910A	HINGE-DOOR; WF8804DP, ALDC, T8, W45.5, L155, Z	SA	1
7-4-10	DC97-15005H	4	W0754	DC61-01915B	BRACKET-HOLDER; WF8804DP, GI, T1.2, W45, L160	SA	1
7-8	DC97-15005H	4	W0454	DC97-15375A	ASSY HOLDER GLASS; HEBA, ALL, PP, T3.0, 480*4	SNA	1
8	DC97-15006N	3	W0727	DC97-16911F	ASSY FRAME FRONT(S); SCOUT, PCM, WHITE, FRO	SA	1
8-1	DC97-16911F	4		6041-001035	RIVET-RH; K1661-0512, AL(A5052), OD3.9, L11,	SNA	2
8-2	DC97-16911F	4	W0249	DC61-01916K	FRAME-FRONT; SCOUT, EGI-SECC, WHITE, T0.8, W6	SNA	1
8-3	DC97-16911F	4	G0429	DC61-01981A	BRACKET-FRAME; WF8804DP, GI, T0.8, W20, L310,	SA	1
9	DC90-08325A	2	W0608	DC91-12078D	ASSY WIRE DIAPHRAGM; HEBA-PJT, -, -, -, -	SA	1

## 1.4. Panel Control&Drawer

### Exploded View



### Parts List

No.	Parent	Lvl.	Loc.	Material Code	Description & Specification	SNA	Qty.
1	DC90-08325A	2	W0475	DC97-16996A	ASSY KNOB ENCODER; BAIKAL-PJT,WF702Y4BKWD	SA	1
1-1	DC97-16996A	3	W0193	DC64-01927B	KNOB-ENCODER; WF702Y4BKWQ/LP,ABS,T2.5,W49	SNA	1
1-2	DC97-16996A	3	W0456	DC64-02800A	DECORATION-ENCODER; BAIKAL-PJT,ABS,T2.5,N	SNA	1
2	DC90-08325A	2	W0478	DC97-16901D	ASSY PANEL CONTROL; VISTULA,WF1802WPC2/XE	SA	1
2-1	DC97-16901D	3	W0181	DC64-01528A	PANEL-CONTROL; HEBA-PJT,ABS,T2.5,-,-,-,WH	SNA	1
2-2	DC97-16901D	3		DC90-09340A	ASSY-BUTTON-PUSH; HEBA,VISTULA	SNA	1
2-3	DC97-16901D	3		DC64-01531A	WINDOW-PANEL; HEBA-PJT,ABS,T2.0,-,-,-,BLK	SNA	1
2-4	DC97-16901D	3	G0443	DC64-01533A	WINDOW-ENCODER; HEBA,ABS,T2.0,-,-,-,BLK,H	SNA	1

## Exploded Views and Parts List

No.	Parent	Lvl.	Loc.	Material Code	Description & Specification	SNA	Qty.
3	DC90-08325A	2	W0701	DC92-00917B	ASSY PCB MAIN UNION; Vistula best,WF1804W	SA	1
4	DC90-08325A	2	W0216	DC97-16021A	ASSY DRAWER; SCOUT,WF0804Y8E	SA	1
4-1	DC97-16021A	3	W0156	DC61-02580A	BODY-DRAWER; WF0800NCE,PP,T2.0,L265,W154,	SA	1
4-2	DC97-16021A	3	W0112	DC64-02173A	PANEL-DRAWER; WF0804Y8E,ABS,T2.5,W183.4,L	SA	1
4-3	DC97-16021A	3	W0218	DC64-01527F	HANDLE-DRAWER; HEBA-PJT,HIPS,T2.0,WHT	SA	1
4-4	DC97-16021A	3	W0215	DC67-00452A	CAP-RINSE; WF0800NCE,PP,T2.0,W66.5,L219,E	SA	1



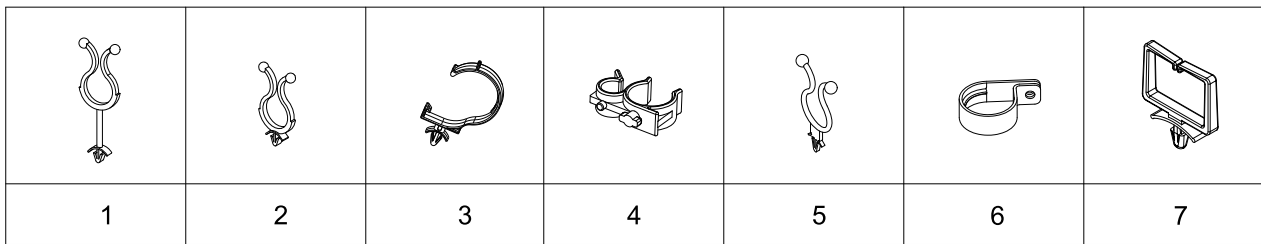
Exploded Views and Parts List

---

No.	Parent	Lvl.	Loc.	Material Code	Description & Specification	SNA	Qty.
6	DC97-16005Q	3		DC67-00327A	CAP-DRAWER HOOK; HEBA-PJT,EPDM,T1.1,W13.9	SA	1
7	DC97-16005Q	3	W0497	DC97-16006A	ASSY S.HOUSING DRAWER; SCOUT,WF0804Y8E,PP	SA	1

## 1.6. Small Parts

### Exploded View



### Parts List

No.	Parent	Lvl.	Loc.	Material Code	Description & Specification	SNA	Qty.
1	DC90-08154A	2	W0623	DC61-00995C	HOLDER-WIRE; HEBA-PJT,Others,ID26,W6,L145	SA	1
2	DC90-08154A	2	W0623	DC61-40081A	HOLDER-WIRE; DAWH-2NC,PA,NTR(PI19.4)	SA	4
3	DC90-08154A	2	W0623	DC61-02879A	HOLDER-WIRE; WF8804CPA,PA,L58.6,NATURAL	SA	1
4	DC90-08154A	2	W0616	DC61-00133A	CLAMPER HOSE-FIX; P1291,PP,ID24.5,OD29.5,	SA	1
5	DC90-08198A	2		6502-000127	CABLE CLAMP; DAWH-18NB,ID15,-,NYLON66,NTR	SA	1
6	DC90-08154A	2	W0616	DC61-00118A	CLAMPER HOSE-FIX; P1291,NYLON66,ID27,OD30	SA	1
7	DC90-08154A	2	W0623	DC61-60074A	HOLDER-WIRE; PA,NTR,NYLON#66(DAWS-6NB)	SA	2