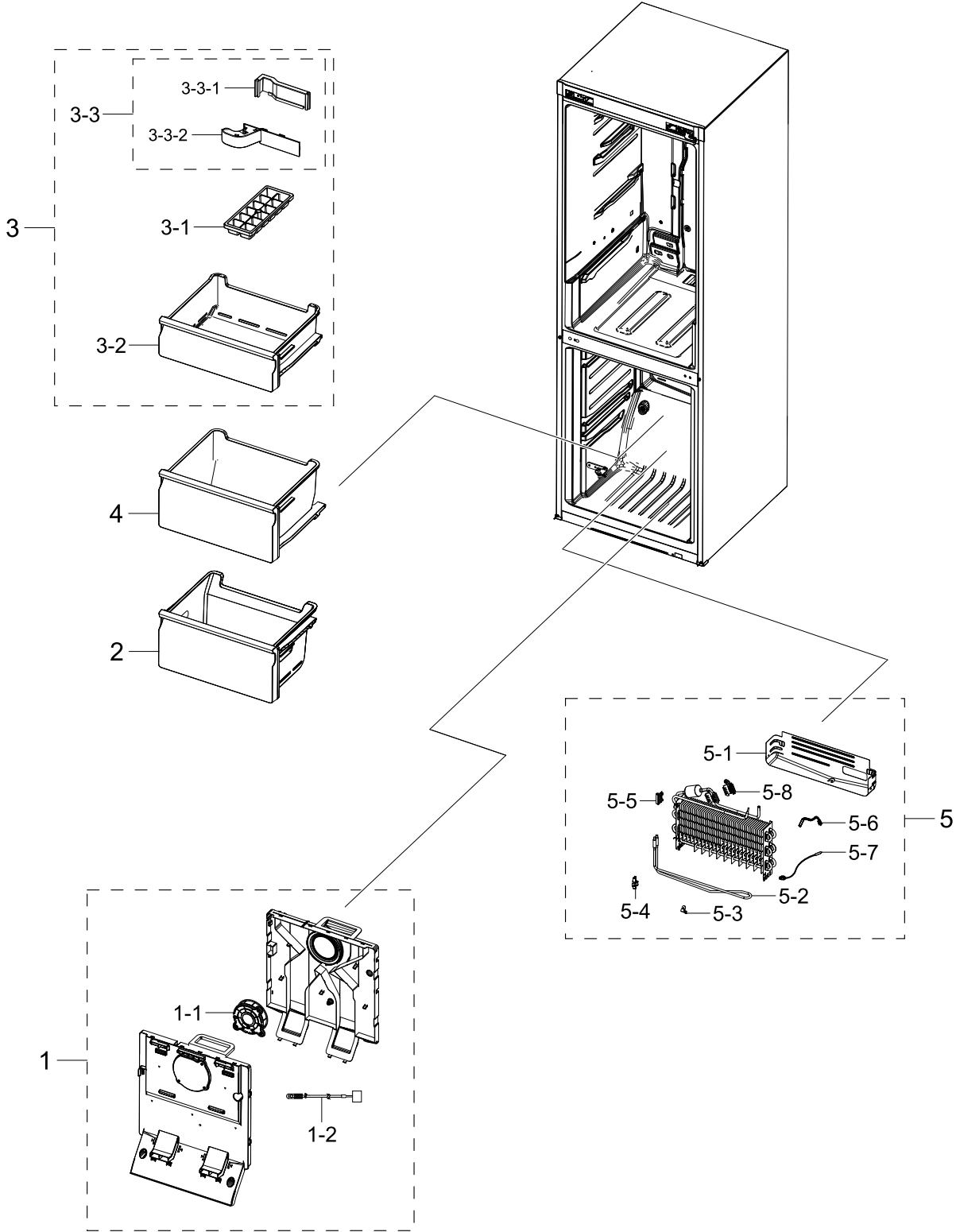


1. FREEZER

FREEZER

Exploded View



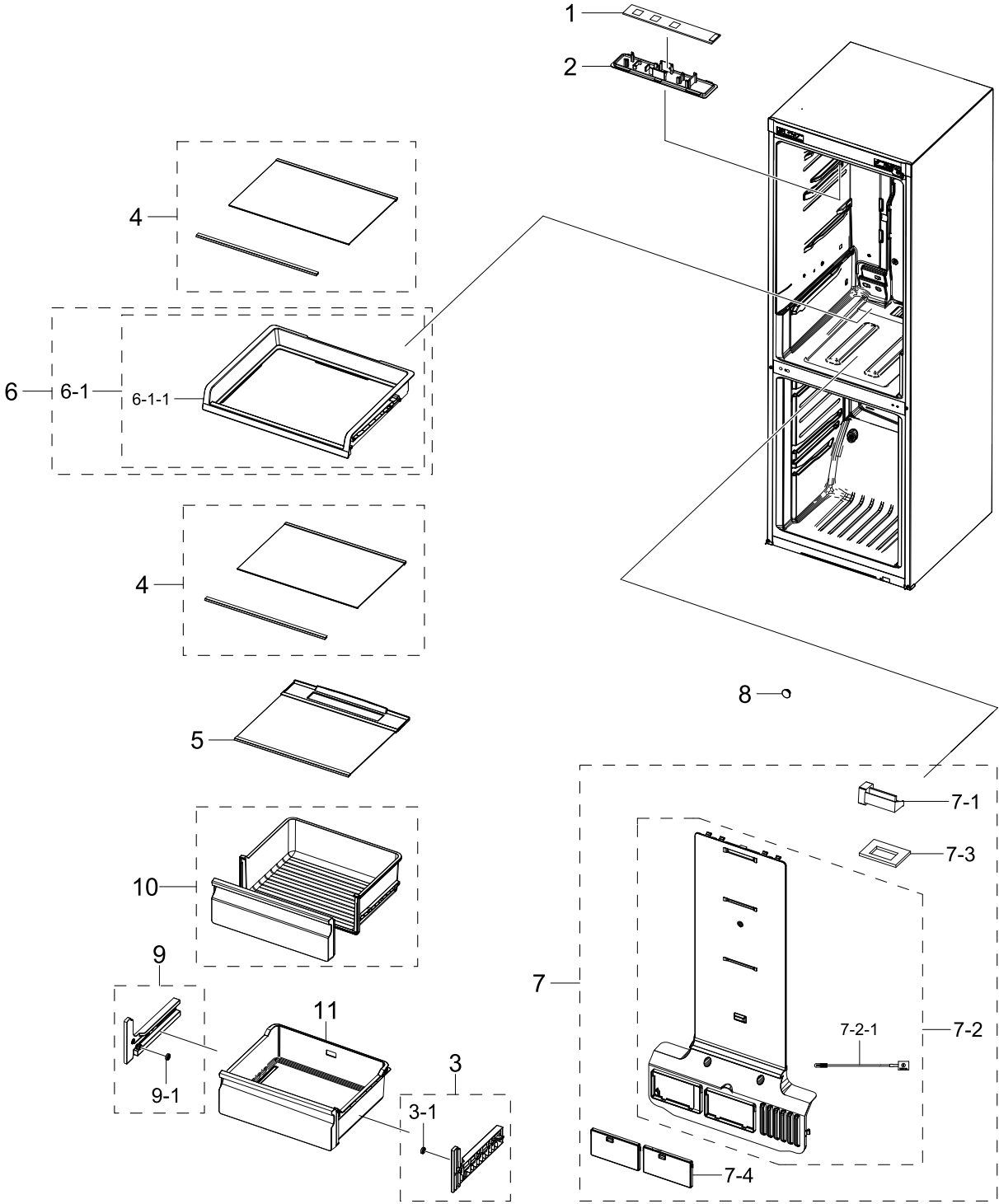
Parts List

No.	Lvl.	Loc.	Material Code	Description & Specification	SNA	Qty.
1	2	M0303	DA97-13570A	ASSY COVER EVAP-FRE; 3050,NATURAL	SA	1
1-1	3		DA31-00334C	MOTOR BLDC FAN; 12035GE-12M-YT,1775±7%,1	SA	1
1-2	3	A1018	DA32-10105X	SENSOR TEMP; QUEEN PJT,-40~120°C,5V,F-SE	SA	1
2	2	G0267	DA97-13475A	ASSY TRAY-FRE LOW; 3050,W466.2	SA	1
3	2	A0015	DA97-15776A	ASSY TRAY-UP; ASSY	SNA	1
3-1	3	A0120	DA67-40146B	TRAY ICE-ICE MODULE; SR-1500,PP,HB,COOL W	SA	1
3-2	3	M0121	DA97-13480A	ASSY TRAY-FRE UPP; 3050,W479.1,L394.3	SA	1
3-3	3		DA97-14132B	ASSY-BAG REVERSIBLE; 3050-PJT,ASSY	SNA	1
3-3-1	4		DA67-03636A	CAP SPACE-DOOR L; 3050,ABS,HB,HG-0760GP,I	SA	1
3-3-2	4	G0214	DA63-07385A	COVER WIRE-HINGE L; 3050,ABS,T1.5,HB,INOX	SA	1
4	2	G0268	DA97-13472A	ASSY TRAY-FRE MID; 3050,W466.3,H227.0	SA	1
5	2	A0163	DA96-01009E	ASSY EVAP-FRE; 3050-BMF,Fin Tube,230V,140	SA	1
5-1	3	A0754	DA61-08936A	PLATE-DRAIN; 3050,GI-SGCC,T0.3,-,-,-,-	SA	1
5-2	3		DA47-00460J	HEATER METAL SHEATH; AC230V,3050-BMF FRE,	SA	1
5-3	3	M9010	DA61-03644A	PLATE-EVAP HEATER; AW-PJT,AI,T0.7	SA	1
5-4	3	G0205	DA61-07410A	FIXER-HEATER FRE; NW2,PP,-,NATURAL,-,BJ75	SA	2
5-5	3	A0744	DA61-07411A	FIXER-FUSE; NW2,PP,NATURAL,BJ750	SA	1
5-6	3	A1018	DA32-00006D	SENSOR TEMP; F DEF-SENSOR,L250,200kohm,1%	SA	1
5-7	3	A1008	DA47-00301D	THERMO FUSE-ASSY; AC250V,10A,109~110°C,S	SA	1
5-8	3	T0066	DA61-00603A	FIXER SENSOR; All model,PP,T2,NATURAL,-,M	SA	1

2. FRIDGE

FRIDGE

Exploded View



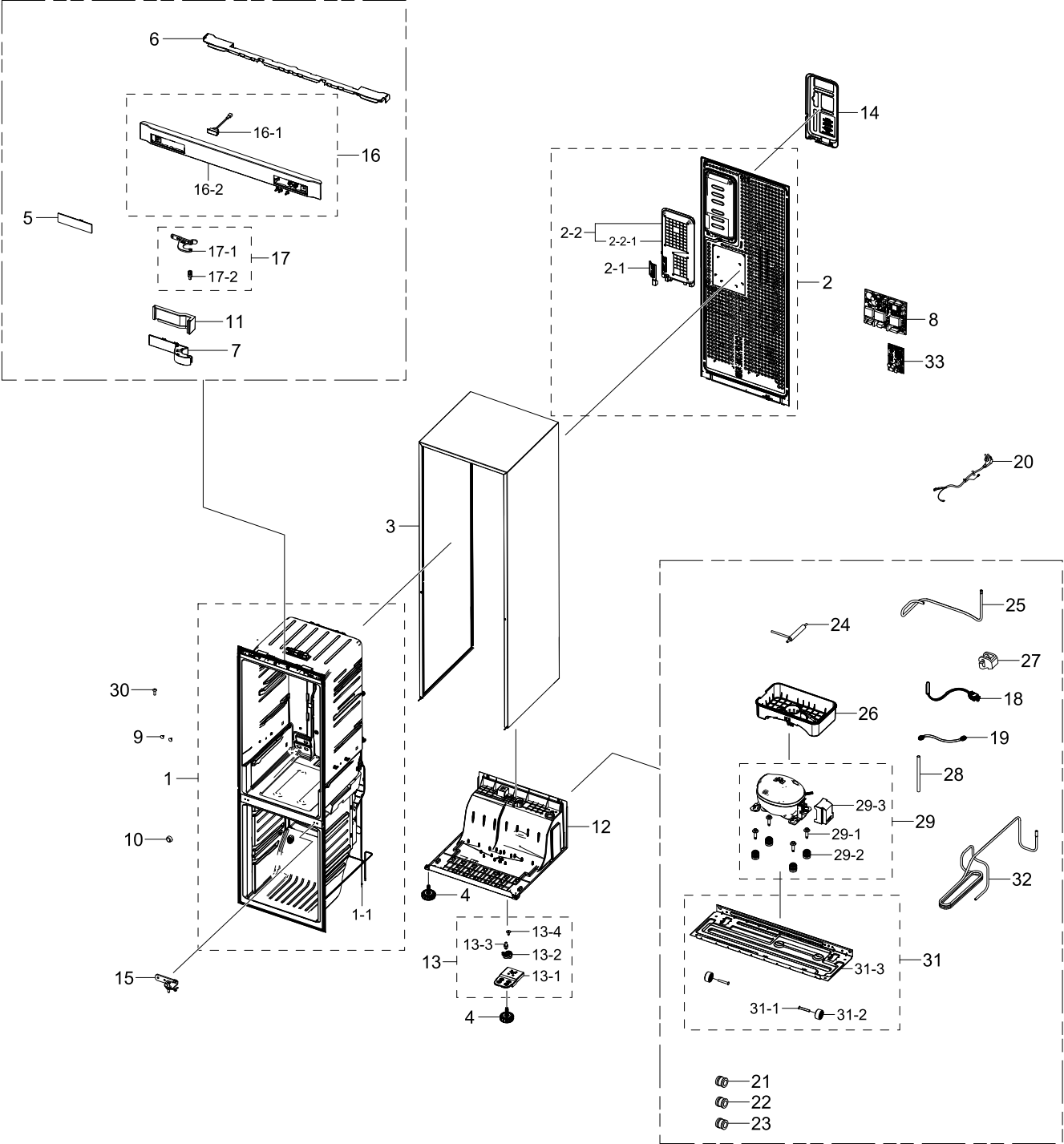
Parts List

No.	Lvl.	Loc.	Material Code	Description & Specification	SNA	Qty.
1	2	G0090	DA41-00519R	ASSY LAMP LED; 3ea,CEM-1,65*10*1.6T,WHITE	SA	1
2	2	A0280	DA63-08570A	COVER LAMP; 3050-BMF,SBC,T2,HB,NATURAL,KR	SA	1
3	2		DA97-15063A	ASSY RAIL-RIGHT; 3050-BMF,ASSY	SA	1
3-1	3		DA66-00420A	ROLLER-RAIL LOW; POM,OD,NATURAL,-,ID,F20-	SA	2
4	2		DA97-13502D	ASSY SHELF-GLASS REF SHELF MODULE; RL31/2	SA	2
5	2		DA97-13550A	ASSY SHELF-VEG; RL31/29 BETTER,SHELF VEG	SNA	1
6	2		DA97-13616A	ASSY SHELF SLIDE-OUT; 3050(RL310),HOT STA	SA	1
6-1	3		DA97-13689A	ASSY SHELF SLIDE-OUT; 3050(RL310),SILK PR	SNA	1
6-1-1	4		DA97-13684A	ASSY SHELF-SLIDE OUT SUB; 3050(RL310)-SUB	SA	1
7	2	G0239	DA97-13715C	ASSY COVER MULTI-REF; RB3000,FRESH ROOM	SA	1
7-1	3	G0242	DA31-00043F	MOTOR GEARED DC DAMPER; NSBA001TF1,DC 12V	SA	1
7-2	3	G0239	DA97-20243B	ASSY COVER MULTI-REF; 3050_BMF,PP, Tape,	SNA	1
7-2-1	4	A1018	DA32-00006N	SENSOR TEMP; TGV,-40~120°C,5V,F-DEF,YEL	SA	1
7-3	3		DA62-04151B	SEAL INS MULTI-REF LOW; 3050_BMF,PE OPEN	SNA	1
7-4	3		DA63-06337A	COVER-CONV MULTI; GRAND CRU,PP,-,HB,COOL	SA	2
8	2	A0270	DA67-30266K	CAP SCREW; A-TOP,PP,T1.5,HB,BJ750,COOL WH	SA	1
9	2		DA97-15062A	ASSY RAIL-LEFT; 3050-BMF,ASSY	SA	1
9-1	3		DA66-00420A	ROLLER-RAIL LOW; POM,OD,NATURAL,-,ID,F20-	SA	2
10	2	A0730	DA97-13473A	ASSY CASE-VEG UPP; 3050,W479.2,L356.1	SA	1
11	2	M0300	DA97-15475A	ASSY CASE VEG-LOW; 3050	SA	1

3. CABINET

CABINET

Exploded View



Parts List

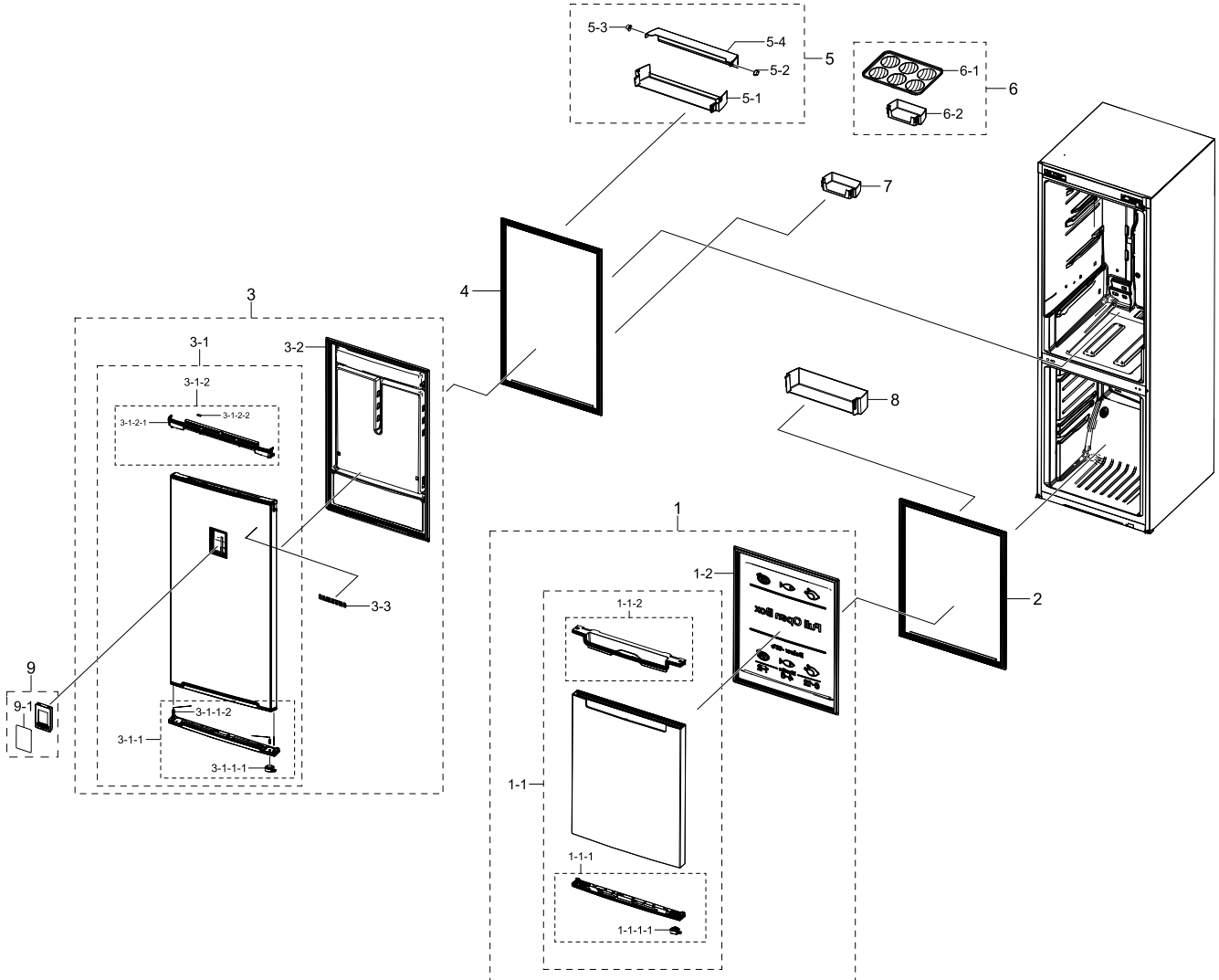
No.	Lvl.	Loc.	Material Code	Description & Specification	SNA	Qty.
1	2	A0137	DA94-05529A	ASSY LINER; 3050 EMS,2EA VEG,A++	SNA	1
1-1	3		DA97-13677G	ASSY PIPE SUCTION; C1220T,-,-,-,-	SA	1
2	2		DA97-14147M	ASSY CABI-REAR; RB3000,IEC	SNA	1
2-1	3		DA61-15469A	CASE PCB; RB3000,PP,T2.5,NATURAL,-,MU30HP	SA	1
2-2	3	A1287	DA97-15018B	ASSY CASE PCB-PANEL; RB3000	SNA	1
2-2-1	4		DA61-09020D	CASE PCB; RB3000,PP,T1,BLACK,-,RM60C	SA	1
3	2	A0004	DA97-14146Y	ASSY CABI FRAME; 3050 EMS,310L,URBAN SILV	SNA	1
4	2	Z1128	DA61-09392A	LEG-FRONT; NCA-PJT,PP,BLACK	SA	2
5	2		DA61-08932A	CAP CONTROL-PANEL; 3050,ABS,HB,HG-0760GP,	SA	1
6	2	G0215	DA63-07383A	COVER-WIRE DOOR; 3050,BMF,ABS,INOX GRAY,P	SA	1
7	2	G0213	DA63-07384A	COVER WIRE-HINGE R; 3050,ABS,T1.5,HB,INOX	SA	1
8	2		DA92-00459P	ASSY PCB INVERTER; INVERTER,3050,148*98.5	SA	1
9	2	A0297	DA67-02684A	CAP SCREW; GRAND CRU,ABS,T1,HB,HG-0760GP,	SA	2
10	2		DA67-03761A	CAP SCREW; 3050-PJT,PP,-,-,BJ750,INOX GRA	SNA	1
11	2		DA67-03647A	CAP SPACE-DOOR R; 3050,ABS,HB,HG-0760GP,I	SA	1
12	2		DA97-14140D	ASSY CABI FRAME-BOTTOM; RB3000 N-AMERICAN	SNA	1
13	2	A0515	DA97-13557B	ASSY HINGE LOW; 3050(BMF)	SNA	1
13-1	3	A0247	DA61-08990A	HINGE-LOW; 3050PJ,PO-SPHC,T3,-,-,LMF	SA	1
13-2	3	A0516	DA61-08991B	GUIDE-AUTO CLOSE; 3050PJ,ABS,HB,HG-0760GP	SA	1
13-3	3	A0518	DA66-00385A	SHAFT-HINGE; CORE,SWRCH10A,L17,OD6,-,-,T6	SNA	1
13-4	3	A0848	DA81-01532A	SCREW-MACHINE; BH,+,M5,L12.7,ZPC(WHT),SWR	SA	1
14	2	M0306	DA97-13562A	ASSY COVER-PCB PANEL; 290, 310,GI,3050	SNA	1
15	2	A0513	DA97-13564A	ASSY HINGE MID; 3050_BMF	SA	1
16	2	G0022	DA97-13615A	ASSY COVER CONTROL-PANEL; 3050PJT,ASSY,IN	SNA	1
16-1	3		DA34-00043J	SWITCH REED; UL1007 AWG 22,50mm	SA	1
16-2	3	A0506	DA63-07353A	COVER-CONTROL PANEL; 3050,ABS,HB,INOX GRA	SNA	1
17	2	A0705	DA97-13567A	ASSY HINGE UPP; 3050_BMF	SNA	1
17-1	3	A0510	DA97-13566A	ASSY HINGE UPP-SUB; 3050_BMF	SNA	1

No.	Lvl.	Loc.	Material Code	Description & Specification	SNA	Qty.
17-2	3	A0518	DA66-00385A	SHAFT-HINGE; CORE,SWRCH10A,L17,OD6,-,-,T6	SNA	1
18	2	A1018	DA32-10105F	SENSOR TEMP; ACE,-40~120,5V,TPA APPLIED,W	SA	1
19	2	A0562	DA39-20389A	ASSY WIRE HARNESS-EARTH; EARTH,ALL,FREE V	SA	1
20	2	A0273	3903-000793	POWER CORD-AT; H05VV-F 3x0.75mm2,BLK,EU3F	SNA	1
21	2		DA60-00279A	FITTING LOCK RING; SUM23,-,SILVER,-,-,16,	SA	1
22	2		DA60-00280A	FITTING-LOKRING 33; SUM23,ID3/16,33, 11SM	SA	1
23	2		DA60-00281A	FITTING LOCK SLEEVE; SUM23,ID5.02,11SMnPb	SA	1
24	2	A0669	DA62-01469H	DRYER; C1220T-H,115,SINGLE MOUTH	SA	1
25	2	M0016	DA62-03095A	PIPE-CONNECT SUCTION; GRANDCRU,Cu,OD6.35,	SA	1
26	2	A0531	DA63-06630A	TRAY-DRAIN WATER; 3050_LMF,PP+TD30%,T2,NA	SNA	1
27	2		DA63-07475A	GROMMET-IMMERSION PIPE D; 3050_LMF,NBR,BL	SNA	1
28	2		DA73-00050G	PIPE-CONN; Cu,OD6.35,T0.6	SA	1
29	2		MSV488AL1R/WB	CMP,COMP,REFRIGERATOR,R600A; CMP,COMP,REFRIGERATOR,R600A	SA	1
29-1	3	A0564	DA60-20008A	BOLT-HEX; M6,L43.6(28.1),ZPC(WHT),SWRCH10	SC	4
29-2	3	Z1112	DA63-02617C	GROMMET COMP; NN34J9902AP,IIR,BLACK,-,-,H	SA	4
29-3	3	Z1032	DA63-06122A	COVER RELAY; MSV,MPPE,T2,BLACK,N300X,V-0	SA	1
30	2	G0412	DA60-10130B	SCREW-TAPPING; TH,-,-,M4.2,L13,ZPC(WHT),S	SA	1
31	2	A0526	DA97-14151A	ASSY CHASSIS COMP; 3050-PJT,GI-SGCC, T0.8	SA	1
31-1	3	A0861	DA60-90146A	PIN-CASTER; SR-289-429,MSWR10,L38	SNA	2
31-2	3	A0527	DA61-06202A	CASTER-REAR; GRAND-CRU,PP,NATURAL	SNA	2
31-3	3	A0526	DA97-13454A	ASSY CHASSIS COMP; 3050-PJT,T0.8,RB31	SNA	1
32	2		DA97-13649B	ASSY PIPE IMMERSING; 3050 BMF,OD4.76,T0.7	SA	1
33	2	A0952	DA92-00735R	ASSY PCB MAIN; BETTER,3050-PJT,148*197,23	SA	1

4. ASSY DOOR

ASSY DOOR

Exploded View



Parts List

No.	Lvl.	Loc.	Material Code	Description & Specification	SNA	Qty.
1	2	M0063	DA91-05126N	ASSY DOOR FOAM-FRE; 3050 EMS,310L,METAL G	SA	1
1-1	3		DA97-20261E	ASSY PLATE DOOR-FRE; 3050-PJT,RECESS,META	SNA	1
1-1-1	4	A0047	DA97-14139A	ASSY CAP DOOR-FRE LOW; 3050-PJT	SNA	1
1-1-1-1	5		DA66-01011B	LEVER-AUTO CLOSE; 3050PJ,POM,M90-44,NATUR	SA	1
1-1-2	4		DA97-14170E	ASSY CAP DOOR-FRE UP; 3050,ABS,T1.0,BLACK	SNA	1
1-2	3		DA64-04431A	PANEL-DOOR FRE; 3050,RB31,HIPS,-,W567.2,L	SNA	1

No.	Lvl.	Loc.	Material Code	Description & Specification	SNA	Qty.
2	2		DA97-19850E	ASSY GASKET-FRE; 3050,,L708.5 W539.5,DARK	SA	1
3	2	Z1100	DA91-05126W	ASSY DOOR FOAM-REF; 3050 EMS,310L,METAL G	SA	1
3-1	3		DA97-20261D	ASSY PLATE DOOR-REF; 3050-PJT,310L,Extern	SNA	1
3-1-1	4	A0048	DA97-14169A	ASSY CAP DOOR-REF LOW; 3050-BMF RECESS,I	SNA	1
3-1-1-1	5		DA66-01011B	LEVER-AUTO CLOSE; 3050PJ,POM,M90-44,NATUR	SA	1
3-1-1-2	5	A0663	DA61-03684C	SPRING ETC-EARTH; W07,STS304,L110,-,-,-,-	SA	2
3-1-2	4		DA97-14136D	ASSY CAP DOOR-REF UP; 3050-PJT,INOX GRAY	SNA	1
3-1-2-1	5	A0077	DA67-03625A	CAP DOOR-REF UPP; 3050,ABS,HB,HG-0760GP,I	SNA	1
3-1-2-2	5	A0534	DA61-03949A	MAGNET; ES-PJT,SSEC,FERRITE,-,BLACK,-,160	SA	1
3-2	3	A0300	DA64-04428A	PANEL-DOOR REF; 3050,RB31,HIPS,-,W567.2,L	SNA	1
3-3	3	M0196	DA64-04020A	MASCOT; All,Ni,-,-,-,-,-	SA	1
4	2		DA97-19850D	ASSY GASKET-REF; 3050,L950 W539.5,DARK GR	SA	1
5	2	A0636	DA97-14135A	ASSY GUARD DAIRY; 3050-PJT,ASSY	SA	1
5-1	3		DA63-07404A	GUARD-DAIRY CASE; 3050,GPPS,TP BLUE,HB,16	SA	1
5-2	3		DA67-02920A	CAP-HINGE DAIRY R; HERMES,POM,K300,NATURA	SA	1
5-3	3		DA67-02921A	CAP-HINGE DAIRY L; HERMES,POM,K300,NATURA	SA	1
5-4	3		DA63-07405A	GUARD-DAIRY COVER; 3050,GPPS,3,TP BLUE,HB	SA	1
6	2		DA97-14133A	ASSY GUARD VARIETY; 3050-PJT,ASSY	SA	1
6-1	3	A0656	DA63-07346A	TRAY EGG; 3050,GPPS,-,HB,TP BLUE,-,G-116H	SA	1
6-2	3	A0153	DA63-07344A	GUARD VARIETY; 3050,GPPS,T2.5,TP BLUE,-,H	SA	1
7	2	A0153	DA63-07344A	GUARD VARIETY; 3050,GPPS,T2.5,TP BLUE,-,H	SA	1
8	2	A0151	DA63-07345A	GUARD BOTTLE; 3050,GPPS,T2.5,TP BLUE,-,HB	SA	1
9	2	A0626	DA97-21114B	ASSY COVER CONTROL; RB37,3050 2M,ABS,BLAC	SA	1
9-1	3		DA64-05039N	INLAY-CONTROL; RB5000J,PC,3050-2M, Extern	SA	1