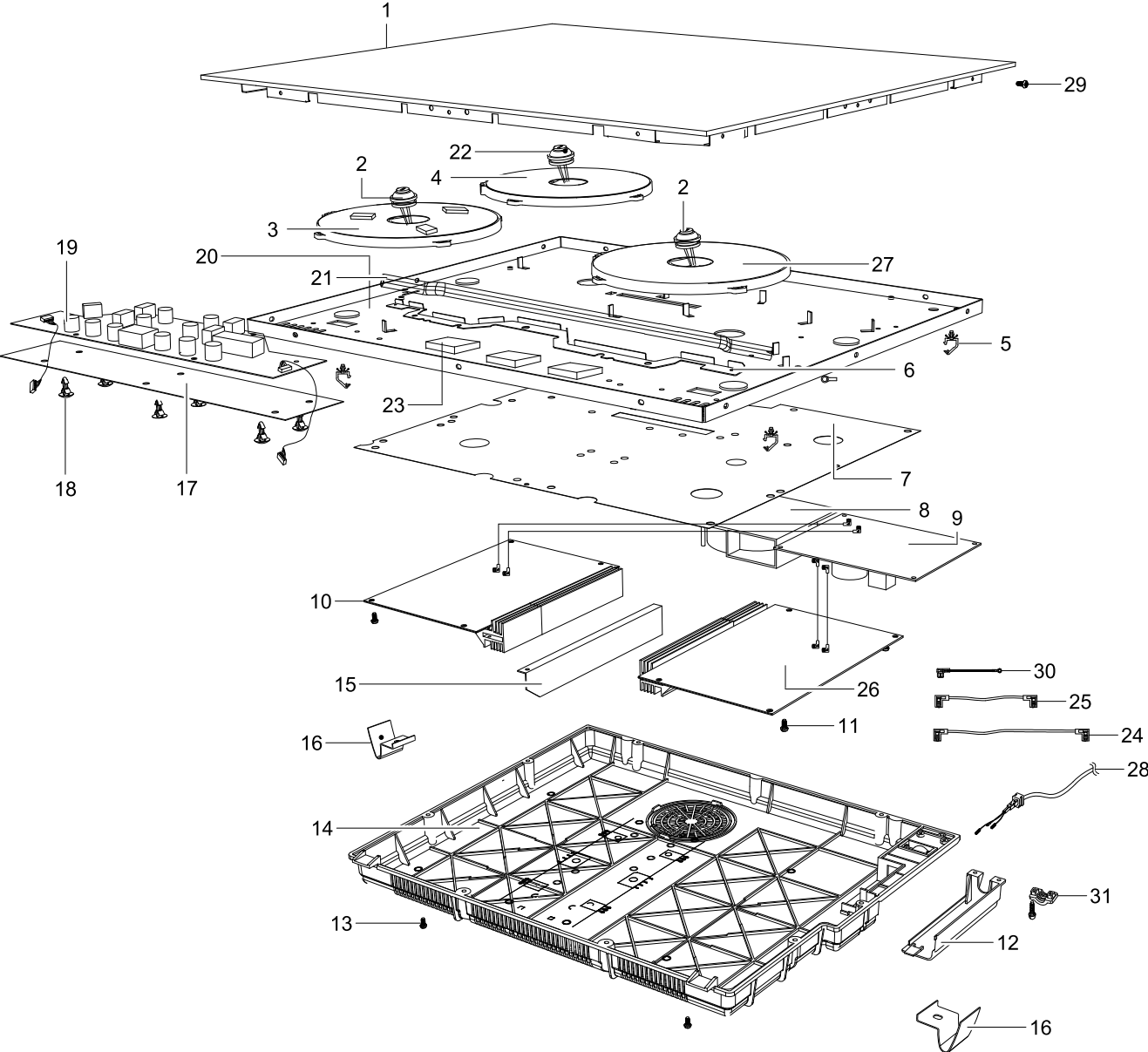


# 1. NZ63M3NM1BB/UR

NZ63M3NM1BB/UR

## Exploded View



## Parts List

No.	Lvl.	Loc.	Material Code	Description & Specification	SNA	Qty.
1	1		DG82-01269A	SVC ASSY-GLASS TOP PLATE; NZ63M3NM1BB/UR,	SA	1
2	1		DG81-01449A	SVC-TEMP SENSOR; NZ64F3NM1AB,174660000001	SA	2
3	1		DG81-01427A	SVC-140COIL GROUPWARE; NZ63F3NM1AB,174660	SA	1
4	1		DG81-01425A	SVC-180COIL GROUPWARE; NZ63F3NM1AB,174660	SA	1
5	1		DG81-01434A	SVC-LINE CLAMP; NZ64F3NM1AB,1216600000002	SA	7
6	1		DG81-02006A	SVC-HEAT INSULATE BRACKET; NZ64H37070K,12	SA	1
7	1		DG81-01431C	SVC-ISINGLASS FLAKE B; NZ63M3707AK,127660	SA	1
8	1		DG81-01447A	SVC-FAN; NZ64F3NM1AB,541600100004	SA	1
9	1		DG81-01424A	SVC-ACCESSORIAL POWER; NZ64F3NM1AB,541500	SA	1
10	1		DG81-01442A	SVC-POWER BOARD; NZ63F3NM1AB,1716600000002	SA	1
11	1		DG81-01421A	SVC-SCREW; NZ64F3NM1AB,11300915000020	SA	6
12	1		DG81-02681A	SVC POWER CORD-CASECOVER; 12166000002938,	SA	1
13	1		DG81-01420A	SVC-SCREW; NZ64F3NM1AB,11303310000007	SA	10
14	1		DG81-01437A	SVC-BASE; NZ64F3NM1AB,541300100005	SA	1
15	1		DG81-01436A	SVC-WINDSHIELD; NZ64F3NM1AB,303207300215	SA	1
16	1		DG81-01462A	SVC-INSTALLATION BRACKET; NZ64F3NM1AB,129	SA	1
17	1		DG81-01432A	SVC-ISINGLASS FLAKE A; NZ64F3NM1AB,541700	SA	1
18	1		DG81-01433A	SVC-KNIGHTHEAD; NZ64F3NM1AB,1216600000002	SA	4
19	1		DG81-01445A	SVC-DISPLAY BOARD; NZ63F3NM1AB,1716600000	SA	1
20	1		DG81-02003A	SVC-RADIATOR BOARD; NZ63H37070K,122660000	SA	1
21	1		DG81-01450A	SVC-SILICONE SEALED STRIP; NZ64F3NM1AB,12	SA	1
22	1		DG81-01448A	SVC-TEMP SENSOR; NZ64F3NM1AB,1746600000001	SA	1
23	1		DG81-01451A	SVC-SUPPORTING FOAM; NZ64F3NM1AB,12466000	SA	3

No.	Lvl.	Loc.	Material Code	Description & Specification	SNA	Qty.
24	1		DG81-02856A	SVC-WIRE HARNESS; NZ63R3727BK/UR,17466000	SA	2
25	1		DG81-02857A	SVC-WIRE HARNESS; NZ63R3727BK/UR,17466000	SA	2
26	1		DG81-01443A	SVC-POWER BOARD; NZ63F3NM1AB,171660000082	SA	1
27	1		DG81-01428A	SVC-280COIL GROUPWARE; NZ63F3NM1AB,174660	SA	1
28	1		DG81-02683A	SVC POWER CORD; 17466000A00501,5*2.5mm2 P	SA	1
29	1		DG81-01423A	SVC-SCREW; NZ64F3NM1AB,11303119000006	SA	12
30	1		DG81-02858A	SVC-EARTH WIRE; NZ63R3727BK/UR,1746600000	SA	1
31	1		DG81-02680A	SVC-CORD PRESS PANEL; NZ64N3707AS/UR,NZ64	SA	1