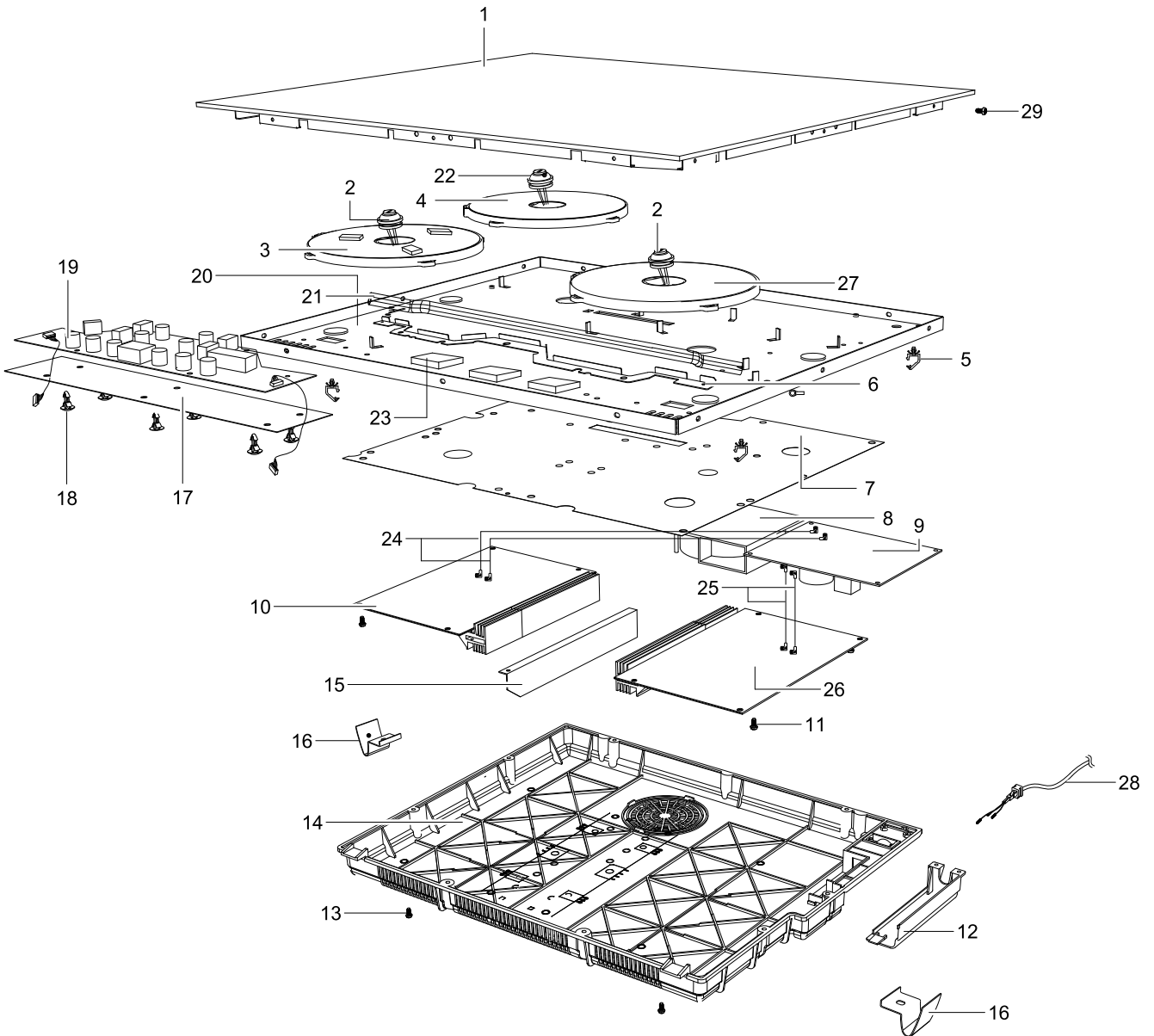


1. NZ63M3NM1BB/UR

Exploded View



Parts List

| No. | Lvl. | Loc. | Material Code | Description & Specification | SNA | Qty. |
|-----|------|------|---------------|--|-----|------|
| 1 | 1 | | DG81-02258A | A/S-CERAMIC PLATE; NZ63M3NM1BB,12566000A1 | SA | 1 |
| 2 | 1 | | DG81-01449A | A/S-TEMP SENSOR; NZ64F3NM1AB,541600200011 | SA | 2 |
| 3 | 1 | | DG81-01427A | A/S-140COIL GROUPWARE; NZ63F3NM1AB,303203 | SA | 1 |
| 4 | 1 | | DG81-01425A | A/S-180COIL GROUPWARE; NZ63F3NM1AB,303203 | SA | 1 |

Exploded Views and Parts List

| No. | Lvl. | Loc. | Material Code | Description & Specification | SNA | Qty. |
|-----|------|------|---------------|--|-----|------|
| 5 | 1 | | DG81-01434A | A/S-LINE CLAMP; NZ64F3NM1AB,303207300212, | SA | 7 |
| 6 | 1 | | DG81-02006A | A/S-HEAT INSULATE BRACKET; NZ64H37070K,12 | SA | 1 |
| 7 | 1 | | DG81-01431C | A/S-ISINGLASS FLAKE B; NZ63M3707AK,127660 | SA | 1 |
| 8 | 1 | | DG81-01447A | A/S-FAN; NZ64F3NM1AB,541600100004,DC MOTO | SA | 1 |
| 9 | 1 | | DG81-01424A | A/S-ACCESSORIAL POWER; NZ64F3NM1AB,541500 | SA | 1 |
| 10 | 1 | | DG81-01442A | A/S-POWER BOARD; NZ63F3NM1AB,541500000051 | SA | 1 |
| 11 | 1 | | DG81-01421A | A/S-SCREW; NZ64F3NM1AB,301500101194,PBA A | SA | 6 |
| 12 | 1 | | DG81-02002A | A/S-POWER CORD CASE COVER; NZ63H37070K,12 | SA | 1 |
| 13 | 1 | | DG81-01420A | A/S-SCREW; NZ64F3NM1AB,301500100954,MOLD | SA | 10 |
| 14 | 1 | | DG81-01437A | A/S-BASE; NZ64F3NM1AB,541300100005,BASE C | SA | 1 |
| 15 | 1 | | DG81-01436A | A/S-WINDSHIELD; NZ64F3NM1AB,303207300215, | SA | 1 |
| 16 | 1 | | DG81-01462A | A/S-INSTALLATION BRACKET; NZ64F3NM1AB,541 | SA | 1 |
| 17 | 1 | | DG81-01432A | A/S-ISINGLASS FLAKE A; NZ64F3NM1AB,MICA S | SA | 1 |
| 18 | 1 | | DG81-01433A | A/S-KNIGHTHEAD; NZ64F3NM1AB,303207300211, | SA | 4 |
| 19 | 1 | | DG81-01445A | A/S-DISPLAY BOARD; NZ63F3NM1AB,5415001000 | SA | 1 |
| 20 | 1 | | DG81-02003A | A/S-RADIATOR BOARD; NZ63H37070K,122660000 | SA | 1 |
| 21 | 1 | | DG81-01450A | A/S-SILICONE SEALED STRIP; NZ64F3NM1AB,54 | SA | 1 |
| 22 | 1 | | DG81-01448A | A/S-TEMP SENSOR; NZ64F3NM1AB,541600200013 | SA | 1 |
| 23 | 1 | | DG81-01451A | A/S-SUPPORTING FOAM; NZ64F3NM1AB,54170070 | SA | 3 |
| 24 | 1 | | DG81-01456A | A/S-WIRE RED 450; NZ64F3NM1AB,30320680003 | SA | 2 |
| 25 | 1 | | DG81-01457A | A/S-WIRE RED 150; NZ64F3NM1AB,30320680004 | SA | 2 |
| 26 | 1 | | DG81-01443A | A/S-POWER BOARD; NZ63F3NM1AB,171660000082 | SA | 1 |
| 27 | 1 | | DG81-01428A | A/S-280COIL GROUPWARE; NZ63F3NM1AB,542300 | SA | 1 |

| No. | Lvl. | Loc. | Material Code | Description & Specification | SNA | Qty. |
|-----|------|------|---------------|--|-----|------|
| 28 | 1 | | DG81-02001A | A/S-POWER CORD; NZ63H37070K,1746600000022 | SA | 1 |
| 29 | 1 | | DG81-01423A | A/S-SCREW; NZ64F3NM1AB,301500101374,GLASS | SA | 12 |