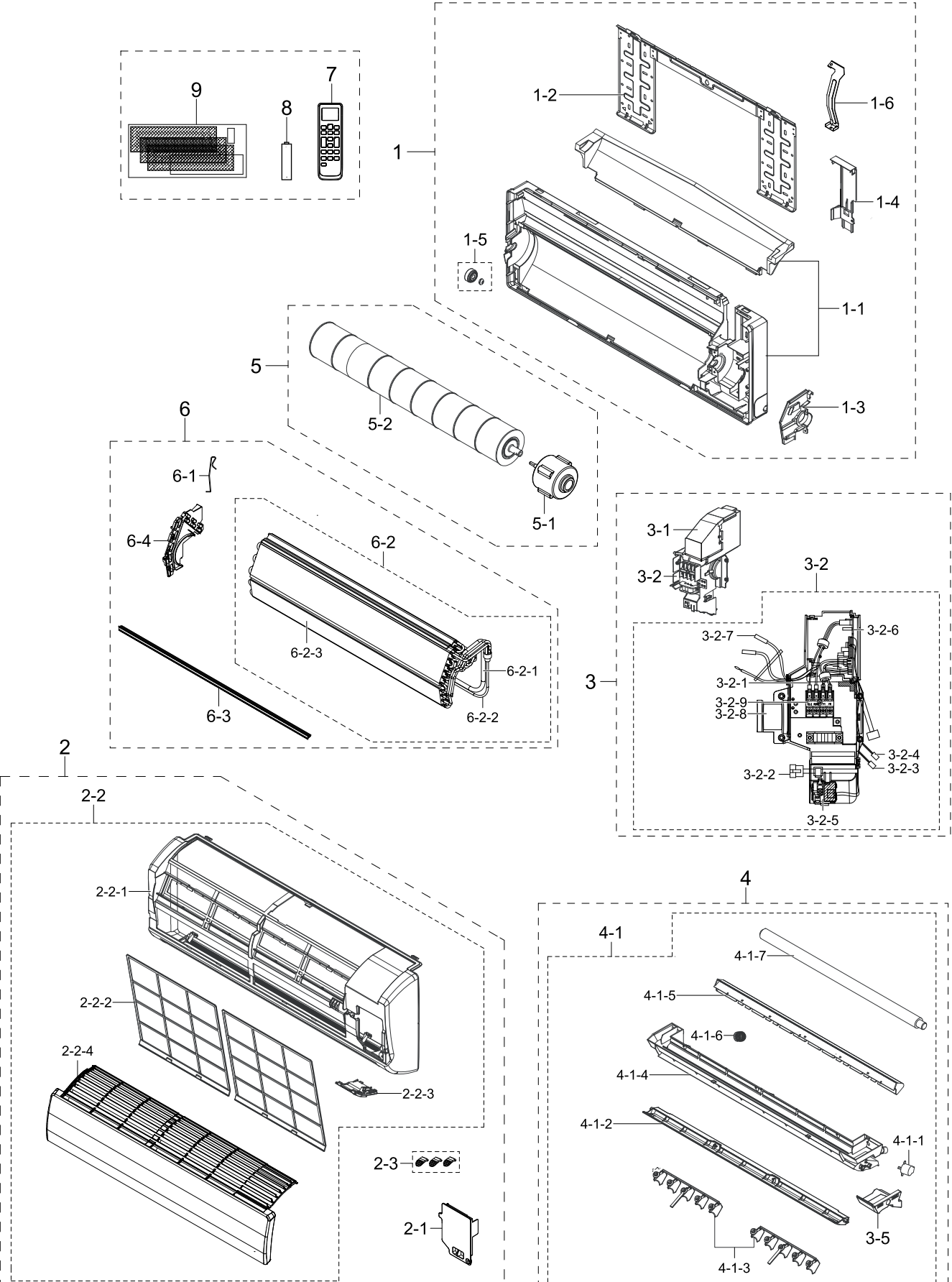


1. NS071NDXEA

Exploded View



Parts List

No.	Lvl.	Loc.	Material Code	Description & Specification	SNA	Qty.
1	1	A0152	DB90-02862A	ASSY CABI IN PARTS; EXPORT,SSEC	SNA	1
1-1	2	RO741	DB94-00615B	ASSY BACK BODY; E,Y,GRAY,R22,LF & RH,EXPORT	SA	1
1-2	2	A1839	DB90-02738A	ASSY-PLATE HANGER; WW2,SSEC	SA	1
1-3	2		DB90-04857A	ASSY-SUPPORT EVAP; VIVALDI,SSEC,ASSY	SA	1
1-4	2	H0286	DB61-01981B	HOLDER-PIPE; VIVACE2,HIPS,2.5,GRAY(SC-031	SNA	1
1-5	2	A0120	DB94-00455B	ASSY-RUBBER BEARING; WW-PJT,CR,BLK SSEC	SC	1
1-6	2	B0404	DB61-01977A	BRACKET-EVAP; AQT24W6WE,SGCC-M,0.8,-,-,-,	SA	1
2	1	A1698	DB92-02034B	ASSY PANEL FRONT PARTS; IN,ENGLISH,WHITE,	SNA	1
2-1	2	A0808	DB90-04763A	ASSY-COVER TERMINAL; FORTE2,SSEC	SA	1
2-2	2	A1698	DB92-02042A	ASSY PANEL FRONT; T,DA WHITE,R410A,NS070N	SA	1
2-2-1	3	P0021	DB64-01184C	PANEL FRONT; SH18BW6,SH24BW2,ABS,SC-06106	SA	1
2-2-2	3	G0121	DB63-01592D	GUARD-AIR FILTER; FORTE2,PP,2.0,203,403.5	SA	2
2-2-3	3	A0882	DB93-09481A	ASSY DISPLAY; NS070NHXEA,SSEC	SNA	1
2-2-4	3	A1203	DB92-01196B	ASSY GRILLE AIR INLET; FOTRE INV,SSEC	SA	1
2-3	2	C0135	DB67-00499D	CAP-SCREW; FORTE,ABS,2.0,13.2,20.6,SC-016	SA	3
3	1	A0696	DB93-09465B	ASSY CONTROL IN PARTS; HP,INV,7.1KW,50Hz,	SNA	1
3-1	2		DB90-02082D	ASSY COVER-PCB; EXPORT,SSEC	SA	1
3-2	2	A0696	DB93-09353C	ASSY CONTROL IN; HP,IN	SNA	1
3-2-1	3	C0936	DB39-01107B	CONNECT WIRE-POWER; FJM PLUS,AWG 18,UL100	SA	1
3-2-2	3	C1070	DB93-04832A	ASSY CONNECTOR WIRE; FORTE2-PJT,UL1007 28	SA	1
3-2-3	3	C1070	DB93-05903A	ASSY CONNECTOR WIRE; 2,1007,24,RED,SMH200	SA	1
3-2-4	3	C1070	DB93-05903B	ASSY CONNECTOR WIRE; 2,1007,24,BRN,SMH200	SA	1
3-2-5	3	A0694	DB93-10977A	ASSY PCB SUB-DISPLAY; dvm,dvm,N	SA	1
3-2-6	3	A1756	DB93-09456Y	ASSY PCB MAIN-IN; NS070NDXEA,N	SA	1
3-2-7	3	T0040	DB95-01999C	ASSY THEMISTOR; CAC,SSEC	SA	1
3-2-8	3	C0247	DB61-01979B	CASE-CONTROL IN; WW2,ABS,DARK GRAY,5V,FOR	SA	1
3-2-9	3	A2816	DB65-00176C	TERMINAL BLOCK; MINI-DVM,PBT,4-TAB_4-SCRE	SA	1
3-5	3	RL196	DB69-01024A	CUSHION; AQT24W6WE,EPS,WHITE	SNA	1

No.	Lvl.	Loc.	Material Code	Description & Specification	SNA	Qty.
4	1	A0915	DB94-02013A	ASSY DRAIN PARTS; -, -, -, -, -, EXPORT, SSEC	SNA	1
4-1	2	A2303	DB94-00616H	ASSY TRAY DRAIN; WHITE, RH, 1M, Y, R22, -, EXPO	SC	1
4-1-1	3	M0045	DB31-00370A	MOTOR STEP; 35BYJ46, DC12V, DC12V, DC12V, 800	SC	1
4-1-2	3	B0147	DB61-01975C	BLADE-H; FORTE, ABS, BLACK, 877.3*56*22, SSEC	SA	1
4-1-3	3	B0179	DB61-01976A	BLADE-V; AQT24W6WE, PP, BLACK	SA	2
4-1-4	3	E5147	DB63-01071A	TRAY-DRAIN; AQT24W6WE, ABS, T2.5, BLACK	SA	1
4-1-5	3	E5148	DB63-01066A	TRAY-STABILIZER; AQT24W6WE, HIPS, T1.5, BLAC	SNA	1
4-1-6	3	R0097	DB73-00180B	RUBBER-CAP DRAIN; all moel, NR, D22, 40, 40, R	SA	1
4-1-7	3	A0912	DB94-00458D	ASSY HOSE DRAIN; VIVALDI-PJT, SSEC	SA	1
5	1	A1072	DB94-01140A	ASSY FAN IN PARTS; EXPORT, SSEC	SNA	1
5-1	2	M0039	DB31-00267A	MOTOR FAN; 60/50Hz, 220/240V	SA	1
5-2	2	A0821	DB94-00456H	ASSY-CROSS FAN; FORTE2, ssec	SA	1
6	1	A1008	DB96-13678A	ASSY EVAP PARTS; NS070NHXEA, SSEC	SNA	1
6-1	2	S0224	DB67-60030A	SPRING-SENSOR; WW2-PJT, STS301, 0.4, T0.4, W2	SA	1
6-2	2	A1008	DB96-13696A	ASSY EVAP; NS070NHXEA, SSEC	SA	1
6-2-1	3	A2356	DB96-13698A	ASSY TUBE EVAP OUT; NS070NHXEA, SSEC	SA	1
6-2-2	3	A2355	DB96-13697A	ASSY TUBE EVAP IN; NS070NHXEA, SSEC	SA	1
6-2-3	3	A1008	DB96-04040Q	ASSY EVAP MAIN; WW2, SSEC	SA	1
6-3	2	S0117	DB60-00192A	SPACER-EVAP LOW; AQT24W6WE, PVC, -, -, -, WHIT	SNA	1
6-4	2	E5132	DB63-01065A	COVER-BEARING; AQT24W6WE, ABS, 2.5, -, -, -, -	SNA	1
7	3	R0043	DB93-11115N	ASSY REMOCON; ARH-5012, GLOBAL 4WAY ENG	SA	1
8	3		4301-000121	BATTERY-MN; 1.5V, R03, 10.5x44.5m, 7.5g, AAA	SA	2
9	3	A0316	DB95-00367B	ASSY-FILTER BIO; SH12ZSG,	SA	1