
[DV5000T] DV80TA020TE/EC EXPLODED VIEWS AND PARTS LIST

[MATERIAL CODE STANDARDS]

Material codes and names and their respective naming rules are managed in accordance with the prescribed standards. Please refer to these standards when requesting a material.

1. Material Code Type

- : Number
- : Letter (Alphabet)

Type 1	●●●● - ●●●●●● ex) 0204-000418 FREON	Enterprise-wide parts Type 1 materials can be used for all Samsung Electronics products. (Most electrical parts belong to this type.)
Type 2	■●●● - ●●●●●■ ex) DD96-01390A ASSY-CONTROL	Division-wide parts (DC**-Washing machine) Type 2 materials can be used for specific products. (Most instruments and tools belong to this type.)

2. Ass'y Materials

All ass'y material codes start with DD9*.

An ass'y material is created by combining more than two materials. If a requested material cannot be provided, you can request an ass'y material that contains that material.

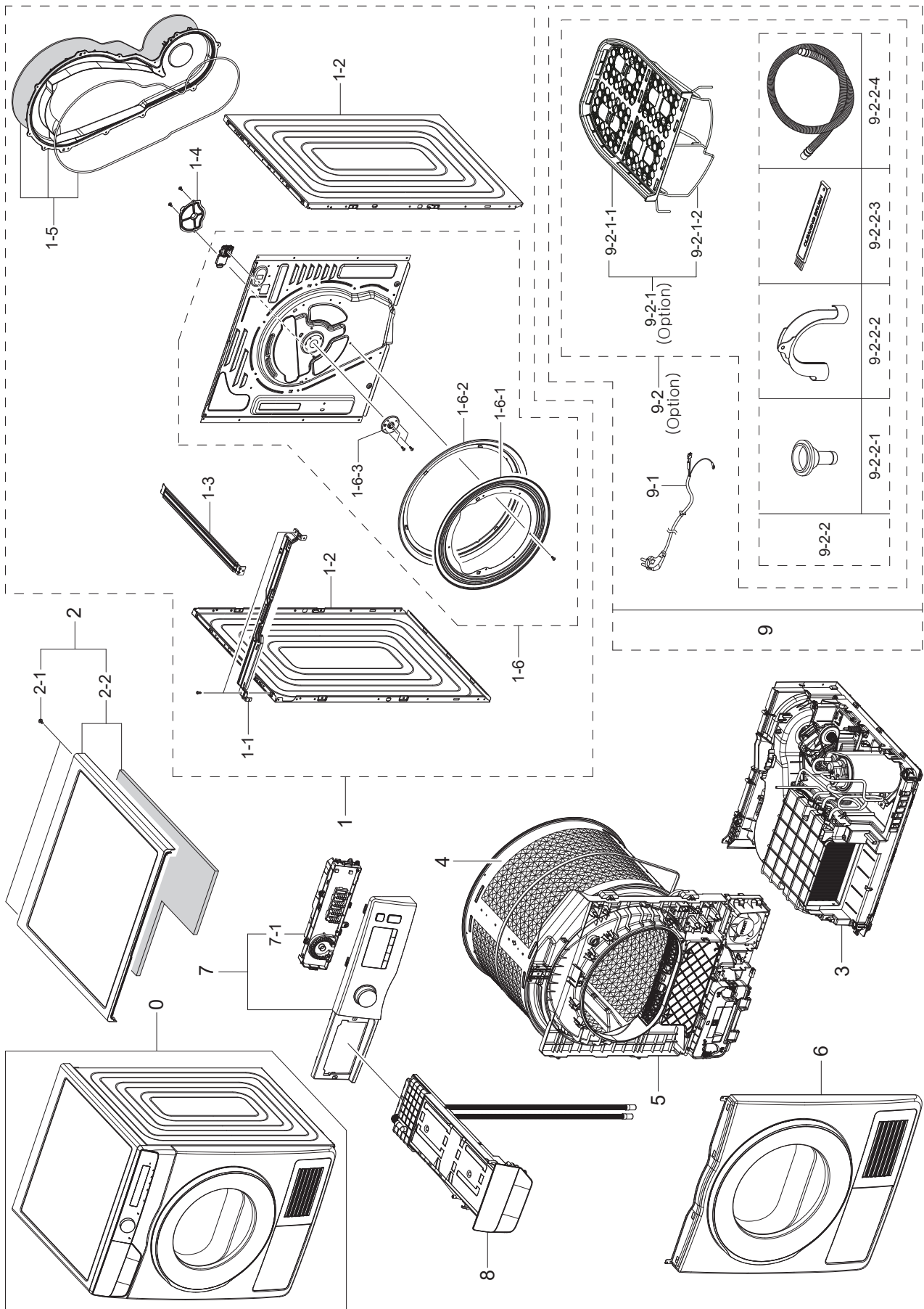
3. Listed parts and jig can be purchased at below website.

- <http://samsungparts.eu/> (Pan Euro Disty Site)

4. The part that is assigned as SA (service available) will be able to purchase.

The part that is assigned as SNA (service not available) will not supply, in result, not available in the market.

1. MAIN

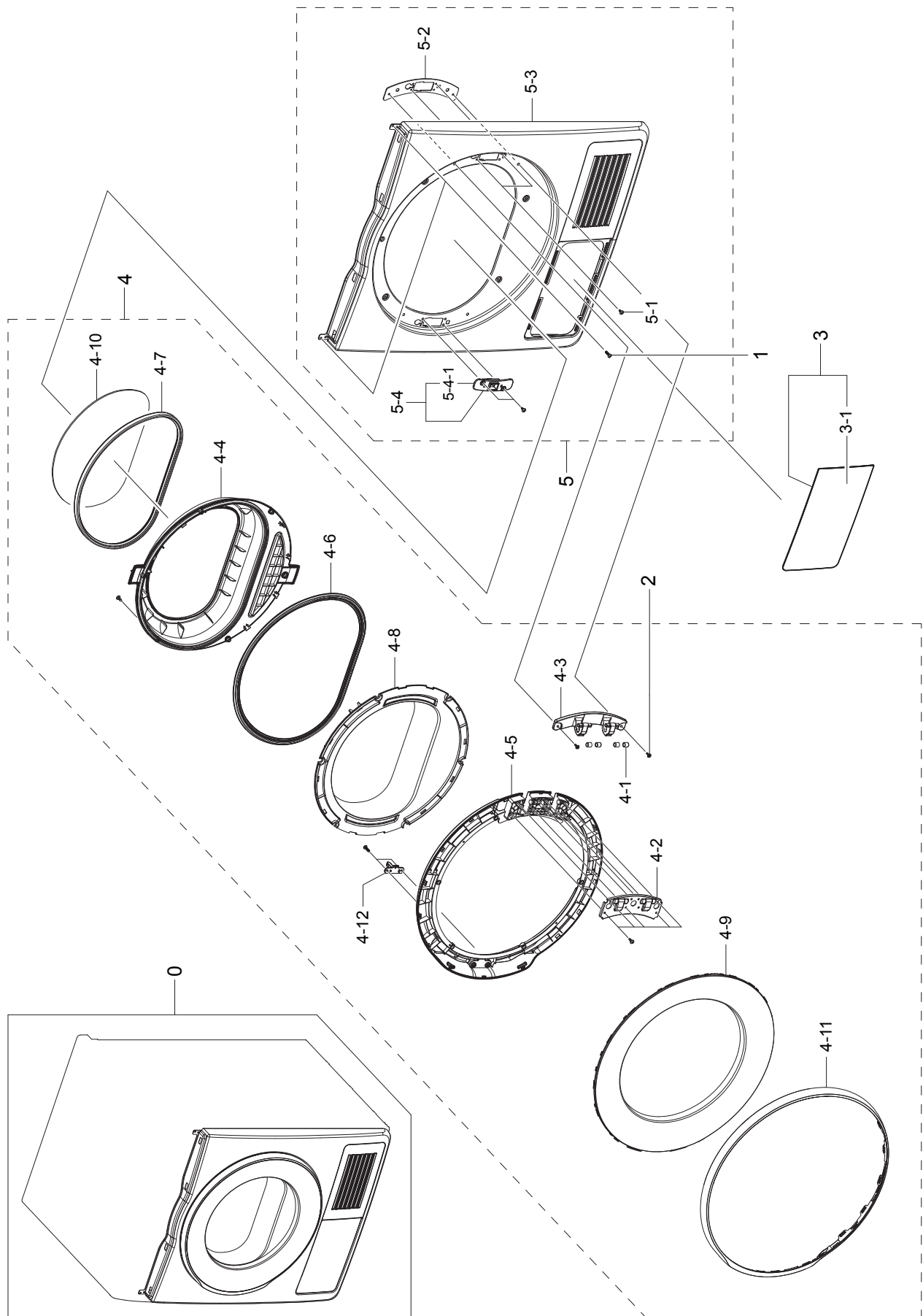


MODEL CODE: DV80TA020TE/EC

Service Bom (SA: SERVICE AVAILABLE, SNA: SERVICE NOT AVAILABLE)

Drawing No.	Code No.	Description	Specification	QTY	Un	SA/SNA
0	DV80TA020TE/EC	ASSY-CLOTHES DRYER	DV5000T			
1	DC90-28770A	ASSY FRAME CASE PARTS	DV5000T,DV9FTA040D	1	PC	SNA
1-1	DC61-03629C	FRAME PLATE-UP	DV5000T,GI-SGCC,T1	1	PC	SA
1-2	DC61-03638A	FRAME-SIDE MODULE	DV90F5E6HGW,EGI-SECC,D	2	PC	SA
1-3	DC61-03639A	GUIDE WIRE	DV90F5E6HGW,GI-SGCC,T1	1	PC	SA
1-4	DC63-01263A	COVER BEARING	SDC18809,EGI-SECC,T0.8,W10	1	PC	SA
1-5	DC93-00880C	ASSY COVER DUCT-MODULE	DV6000T,DV90T6240	1	PC	SA
1-6	DC97-22206H	ASSY FRAME-REAR MODULE	DV6000T,DV90T6240	1	PC	SA
1-6-1	DC61-02263A	BRACKET GASKET FELT	DCVH480EK0WW,STS430,	1	PC	SA
1-6-2	DC93-00754A	ASSY GASKET FELT	DV5000M,DV70M5220IW/EN	1	PC	SA
1-6-3	DC97-16288A	ASSY HOUSING BEARING	D100-PJT,SDC18809(O	1	PC	SA
2	DC90-28777A	ASSY COVER TOP PARTS	DV5000T,DV9FTA040DW	1	PC	SNA
2-1	6002-001431	SCREW-TAPPING	HEX,+,2,M5,L16,ZPC(WHT),SW	2	PC	SA
2-2	DC97-22224C	ASSY COVER TOP-MODULE	DV5000T,DV9FTA040D	1	PC	SA
3	DC90-28769A	ASSY BASE PARTS	DV5000T,DV9FTA040DW/EG	1	PC	SNA
4	DC90-30158A	ASSY DRUM PARTS	DV500T Europe,STS430	1	PC	SNA
5	DC90-28771A	ASSY INNER PARTS	DV5000T,DV9FTA040DW/EG	1	PC	SNA
6	DC90-28420F	ASSY FRONT PARTS	DV5000T,DV80T5220TW/S3	1	PC	SNA
7	DC90-28928A	ASSY PANEL CONTROL PARTS	DV5000T,DV80TA0	1	PC	SNA
7-1	DC92-02028T	ASSY PBA KIT	FCD,DV5000T,Non-Inv, A++, E	1	PC	SA
8	DC90-28768A	ASSY DRAWER PARTS	DV5000T,DV9FTA040DW/EG	1	PC	SNA
9	DC90-28938A	ASSY BUYER PARTS	DV5000T,DV80TA020TE/EC	1	PC	SNA
9-1	DC96-00146H	POWER CORD-AT	H05VV-F 3x1.0mm2,GRY,EU3F,	1	PC	SA
9-2-2	DC98-03342K	ASSY ACCESSORY	DV5000T,DV90T6240LH/S3	1	PC	SNA
9-2-2-1	DC61-02479A	GUIDE HOSE	SDC18809,PP,T1.5,L34.5,NATURA	1	PC	SA
9-2-2-2	DC62-10278A	HOSE HANGER	PUMP MODEL,PP,ID27,T1.5,HS95	1	PC	SA
9-2-2-3	DC67-01092A	BRUSH	DV16R8540KV,ABS,LIGHT GRAY	1	PC	SA
9-2-2-4	DC97-15757C	ASSY HOSE DRAIN	D100,SDC18809,L1998,ID9.	1	PC	SA

2. ASSY FRONT PARTS

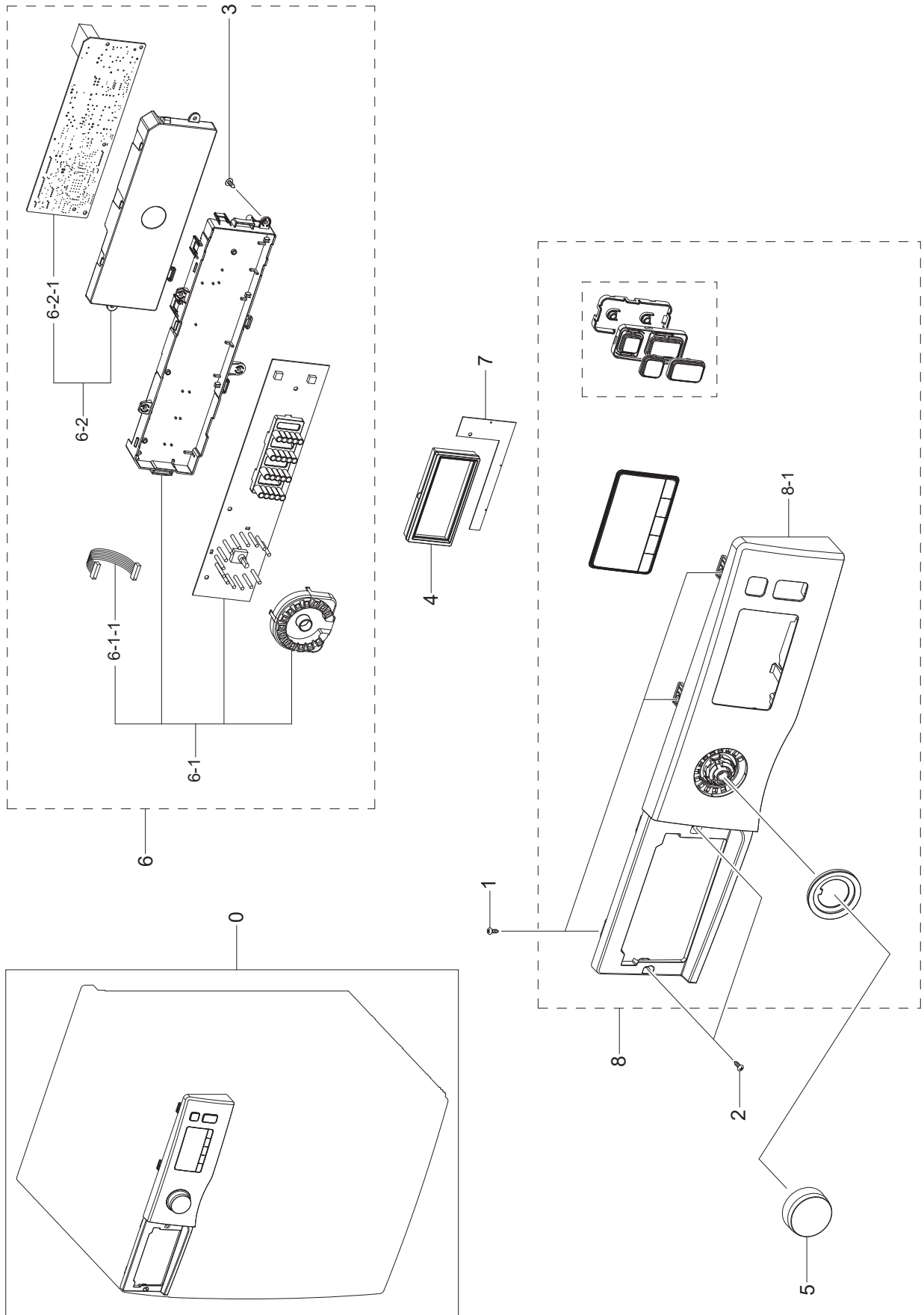


MODEL CODE: DV80TA020TE/EC

Service Bom (SA: SERVICE AVAILABLE, SNA: SERVICE NOT AVAILABLE)

Drawing No.	Code No.	Description	Specification	QTY	Un	SA/SNA
0	DC90-28420F	ASSY FRONT PARTS	DV5000T,DV80T5220TW/S3	1	PC	SNA
1	6006-001174	SCREW-TAPPING	TH,+,WT,2S,M4,L12,ZPC(WHT)	2	PC	SNA
2	6009-001522	SCREW-HEX	HWH,+,M5,L16,PASS,STS430,FP,SE	2	PC	SA
3	DC93-00879A	ASSY COVER CONDENSER	DV6000T,DV90T6240HT	1	PC	SNA
3-1	DC63-02078A	COVER CONDENSER	DV6000M,ABS,HB,DA WHITE,	1	PC	SA
4	DC97-22185D	ASSY DOOR-MODULE	DV5000T,DV90T5240TW/S1	1	PC	SNA
4-1	DC61-00891A	GUIDE HINGE	HAUZEN(DOM),POM,F20-03,white	4	PC	SA
4-2	DC61-04084A	SUPPORT HINGE	DV22K6800EW,GI-SGCC,T1.4	1	PC	SA
4-3	DC61-04217A	HINGE DOOR	DV6000K,ALDC,-,-,HB	1	PC	SA
4-4	DC61-04485B	HOLDER GLASS	DV70M50202W,PP+TD30%,VERSAI	1	PC	SA
4-5	DC61-05156A	HOLDER GLASS	DV90T5740BV,PP+TD30%,VERSAI	1	PC	SA
4-6	DC62-00696B	SEAL DOOR	DV90T5540BV,TPE	1	PC	SA
4-7	DC62-00736B	SEAL AIR	DV90T5240AW/S3,TPE,Non coating	1	PC	SA
4-8	DC63-02114A	COVER DOOR	DV5000M,ABS,HB,DA WHITE,WT003	1	PC	SA
4-9	DC63-02628B	COVER GLASS	DV90T6240HT/S3,PP+TD30%,DA W	1	PC	SA
4-10	DC64-03449A	DOOR GLASS	DV6000K,GLASS,T3.2,CLEAR TP	1	PC	SA
4-11	DC64-03949C	DECORATION COVER DOOR	DV90T7240BH/S3,ABS	1	PC	SA
4-12	DC66-00643A	LEVER DOOR	DV-F500E,ZNDC,PLATING NI	1	PC	SA
5	DC97-22234A	ASSY FRAME FRONT-MODULE	DV6000T,DV90T624	1	PC	SA
5-1	6001-001773	SCREW-MACHINE	TH,+,M5,L12,PASS,STS304,2,	2	PC	SA
5-2	DC61-02283C	BRACKET HINGE	DV5000M,HGI-SGHC,T2	1	PC	SA
5-3	DC61-03640J	FRAME FRONT	DV5000M,GI-SGCD,DA WHITE,T0.	1	PC	SA
5-4	DC97-15505B	ASSY HOLDER LEVER	D100,SDC18809,DARK HOL	1	PC	SA
5-4-1	DC61-02253B	HOLDER LEVER	D100,POM,DARK HOLDER GRAY	1	PC	SA

3. ASSY PANEL CONTROL PARTS

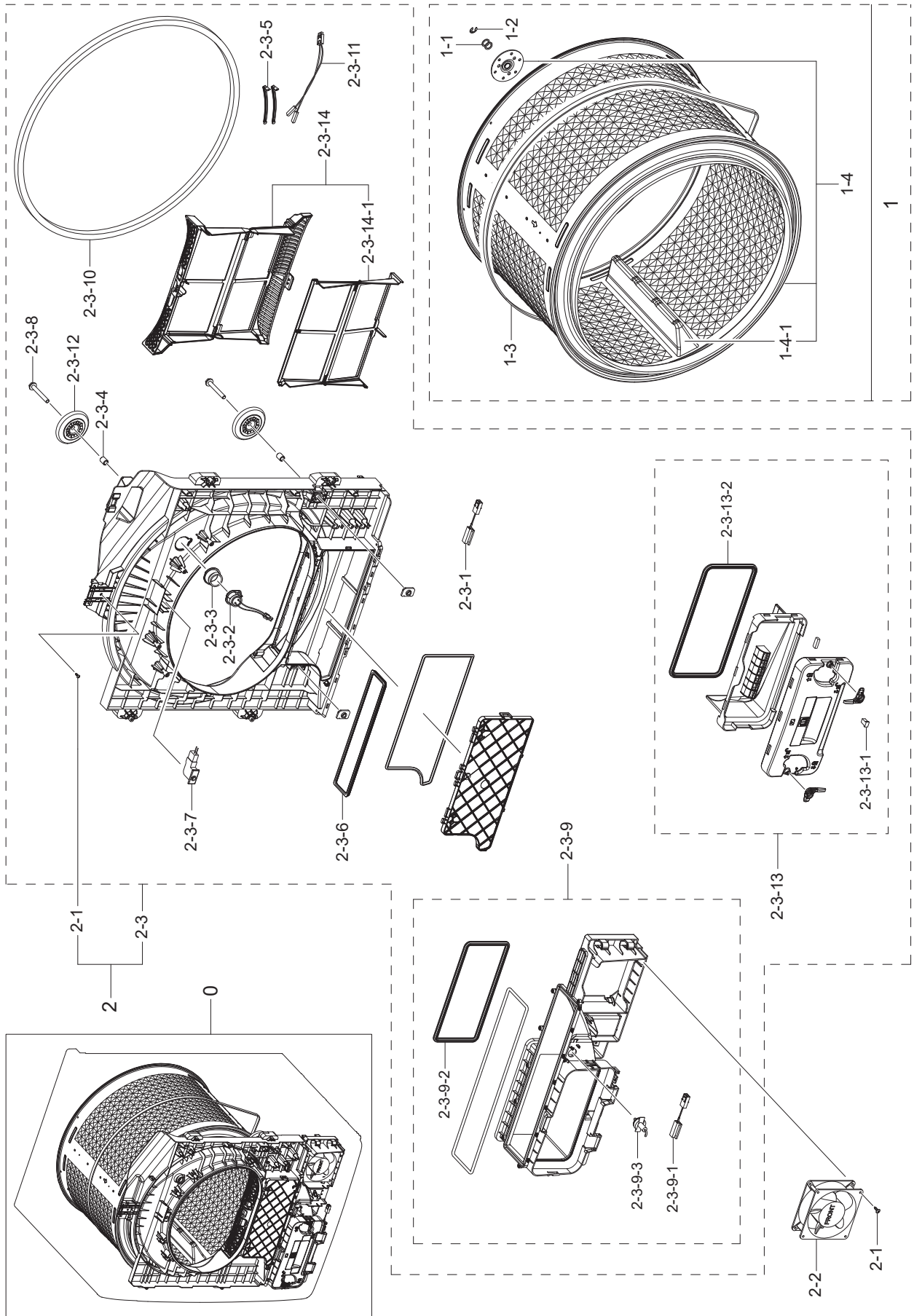


MODEL CODE: DV80TA020TE/EC

Service Bom (SA: SERVICE AVAILABLE, SNA: SERVICE NOT AVAILABLE)

Drawing No.	Code No.	Description	Specification	QTY	Un	SA/SNA
0	DC90-28928A	ASSY PANEL CONTROL PARTS	DV5000T,DV80TA0	1	PC	SNA
1	6002-000239	SCREW-TAPPING	TH,+,NO,2S,M4,L8,ZPC(WHT),	3	PC	SNA
2	6002-000445	SCREW-TAPPING	TH,+,NO,2,M4,L18,PASS,STS4	2	PC	SNA
3	6002-001306	SCREW-TAPPING	SWRCH18A,ZPC(WHT),L14,M4,T	4	PC	SNA
4	DC62-00403A	SEAL RUBBER	EPDM,BLACK,-,BETTER	1	PC	SA
5	DC64-03312A	KNOB ENCODER	F500E,ABS,DA WHITE,DA WHITE	1	PC	SA
6	DC92-02028T	ASSY PBA KIT	FCD,DV5000T,Non-Inv, A++, E	1	PC	SA
6-1	DC92-02024N	ASSY PCB DISPLAY	FCD_AC,DV5000M,327x75mm	1	PC	SA
6-1-1	DC96-01574B	ASSY WIRE HARNESS	DRUM-M,WF210ANW,8PIN,L	1	PC	SA
6-2	DC94-10482A	ASSY PCB EEPROM	0014,EEPROM,DV8000T,24"	1	PC	SNA
6-2-1	DC92-02020U	ASSY PCB MAIN	FCD,DV5000T,242x80mm,220V/	1	PC	SNA
7	DC93-00540A	ASSY MODULE	TOUCH SENSOR,F500 IML BEST,"	1	PC	SA
8	DC97-22455A	ASSY PANEL CONTROL-MODULE	DV5000T,DV80TA	1	PC	SA
8-1	DC64-02955A	PANEL CONTROL	DV90D5E5HGW,ABS,HG-0760GP,	1	PC	SA

4. ASSY DRUM & ASSY INNER PARTS

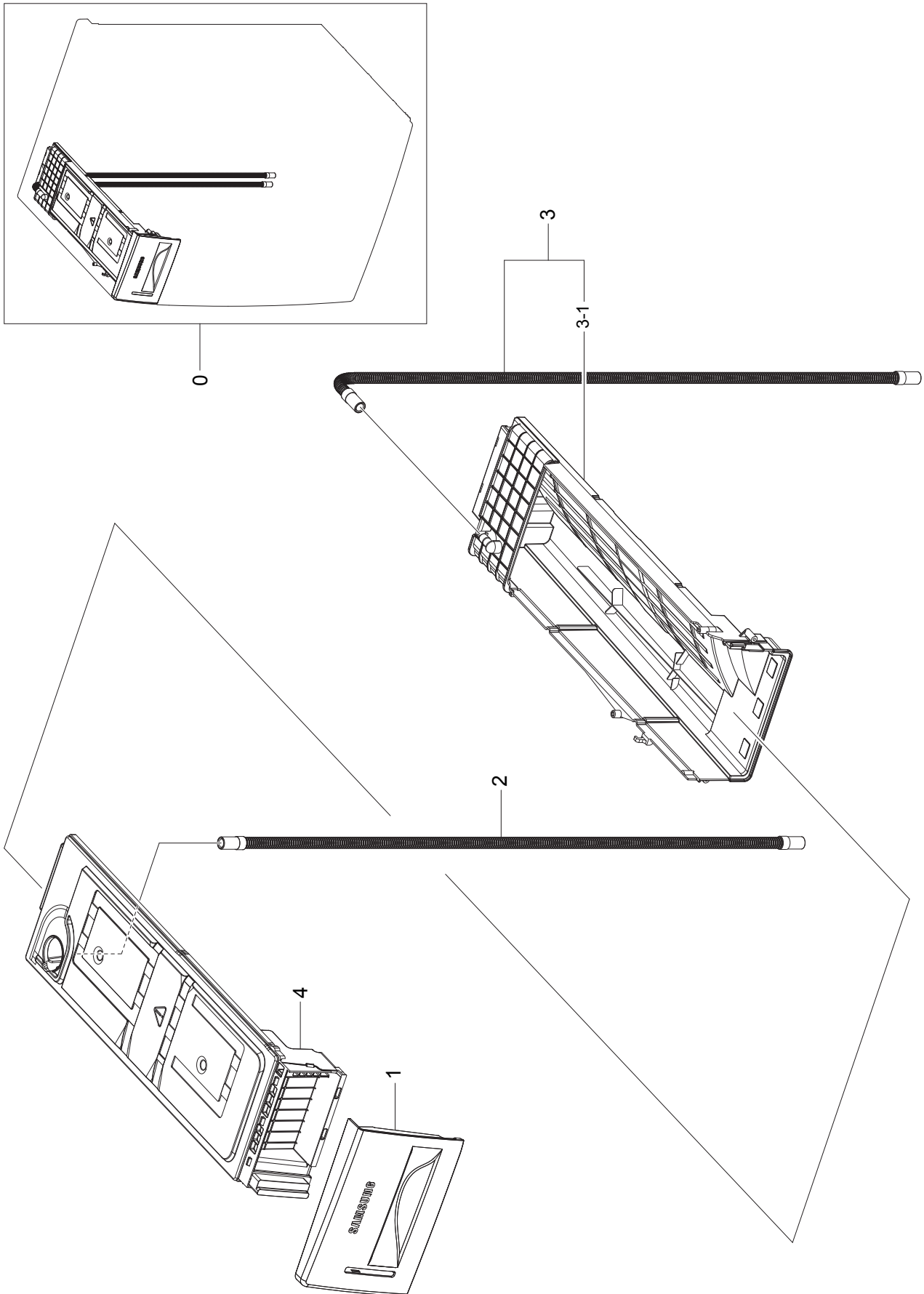


MODEL CODE: DV80TA020TE/EC

Service Bom (SA: SERVICE AVAILABLE, SNA: SERVICE NOT AVAILABLE)

Drawing No.	Code No.	Description	Specification	QTY	Un	SA/SNA
0		ASSY DRUM & ASSY INNER PARTS	DV5000T	1	PC	SNA
1	DC90-30158A	ASSY DRUM PARTS	DV500T Europe,STS430	1	PC	SNA
1-1	6031-002038	WASHER-PLAIN	PA,ID12,OD17,T1,ZPC(BLK)	2	PC	SNA
1-2	6044-001784	RING-C	ID11.1,STW-12,T1.0,BLK,SK5	1	PC	SA
1-3	6602-002024	BELT-TIMING GEAR	7PH1970,RUBBER,T2.7,L19	1	PC	SA
1-4	DC97-17465H	ASSY DRUM WRAPPER-MODULE	DV22N6800HW/A2,	1	PC	SA
1-4-1	DC66-00541A	DRUM LIFTER	GE24-DRYER,PP,T3.0,FC2210,GRAY (G246),GE24-DRYER	3	PC	SA
2	DC90-28771A	ASSY INNER PARTS	DV5000T,DV80TA020TE/EC	1	PC	SNA
2-1	6002-001306	SCREW-TAPPING	TH,+,1,M4,L14,ZPC(WHT),SWRCH18A	1	PC	SNA
2-1	6002-001306	SCREW-TAPPING	TH,+,1,M4,L14,ZPC(WHT),SWRCH18A	1	PC	SNA
2-2	DC31-00177A	MOTOR FAN	F1238S12B, AFB1212LE-02,3.5W,DC12V	1	PC	SA
2-3	DC97-22169B	ASSY DRUM FRONT	DV90T5240AW/S3,810	1	PC	SA
2-3-1	DC34-00001G	SWITCH REED	14~30,370mm,25.4±0.5mm,14mm,30mm,370mm,360mm	1	PC	SA
2-3-2	DC47-00027A	ASSY LAMP LED	2ea,FR-1,14*12,WHITE,AMP 5-177898-1,19.5mA~20.8mA,DC6.4V,MIN 550lx	1	PC	SA
2-3-3	DC61-02457A	FIXER LAMP	D100-DRYER,EPDM,GRAY	1	PC	SA
2-3-4	DC61-02485A	BUSH BEARING	SDC18809,SWRCH10A,ID8,OD12,L15,WHITE,ZPC	2	PC	SA
2-3-5	DC61-04406A	PLATE SENSOR	DV80M8215AW/EG,STS430,T0.8	2	PC	SA
2-3-6	DC62-00735A	SEAL PACKING	DV90T5740BV,Si,DARK HOLDER GRAY	1	PC	SA
2-3-7	DC64-00828D	SWITCH DOOR	AC125-250V,7.5A,5A,BUTTON HEIGHT 2mm	1	PC	SA
2-3-8	DC66-00572A	SHAFT ROLLER	SDC18809,SWRCH10A,L61,OD8,ZPC(WHT),M13/M8XP=1.25	2	PC	SA
2-3-9	DC93-00874A	ASSY DUCT FRONT	DV5000T,DV90T5240BW	1	PC	SA
2-3-9-1	DC34-00001G	SWITCH REED	14~30,370mm,25.4±0.5mm,14mm,30mm,370mm,360mm	1	PC	SA
2-3-9-2	DC62-00755A	SEAL CONDENSER	DV5000T,Si,DARK HOLDER GR	1	PC	SA
2-3-9-3	DC90-10128G	ASSY THERMISTOR	DRYER,5V,-20~125°C,120mm,	1	PC	SA
2-3-10	DC93-00878B	ASSY GASKET PAD	DV5000T,DV90T5240AE/S1,E	1	PC	SA
2-3-11	DC96-00766A	ASSY WIRE HARNESS-TOUCH	DRYER-L,-,,,,,,,,,	1	PC	SA
2-3-12	DC97-15768A	ASSY ROLLER	D100-PJT,SDC18809	2	PC	SA
2-3-13	DC97-22170A	ASSY FILTER GUIDE	DV5000T,DV90T5240BW	1	PC	SA
2-3-13-1	DA66-01072A	LATCH	LATOUR,POM,NATURAL,DC LATCH	1	PC	SA
2-3-13-2	DC62-00754A	SEAL CONDENSER	DV5000T,Si,DARK HOLDER GR	1	PC	SA
2-3-14	DC97-22180A	ASSY CASE FILTER	DV6000T,DV90T6240HT/S3	1	PC	SA
2-3-14-1	DC61-05169A	CASE FILTER	INNER,DV90T5740BV,PP+TD30%,T	1	PC	SA

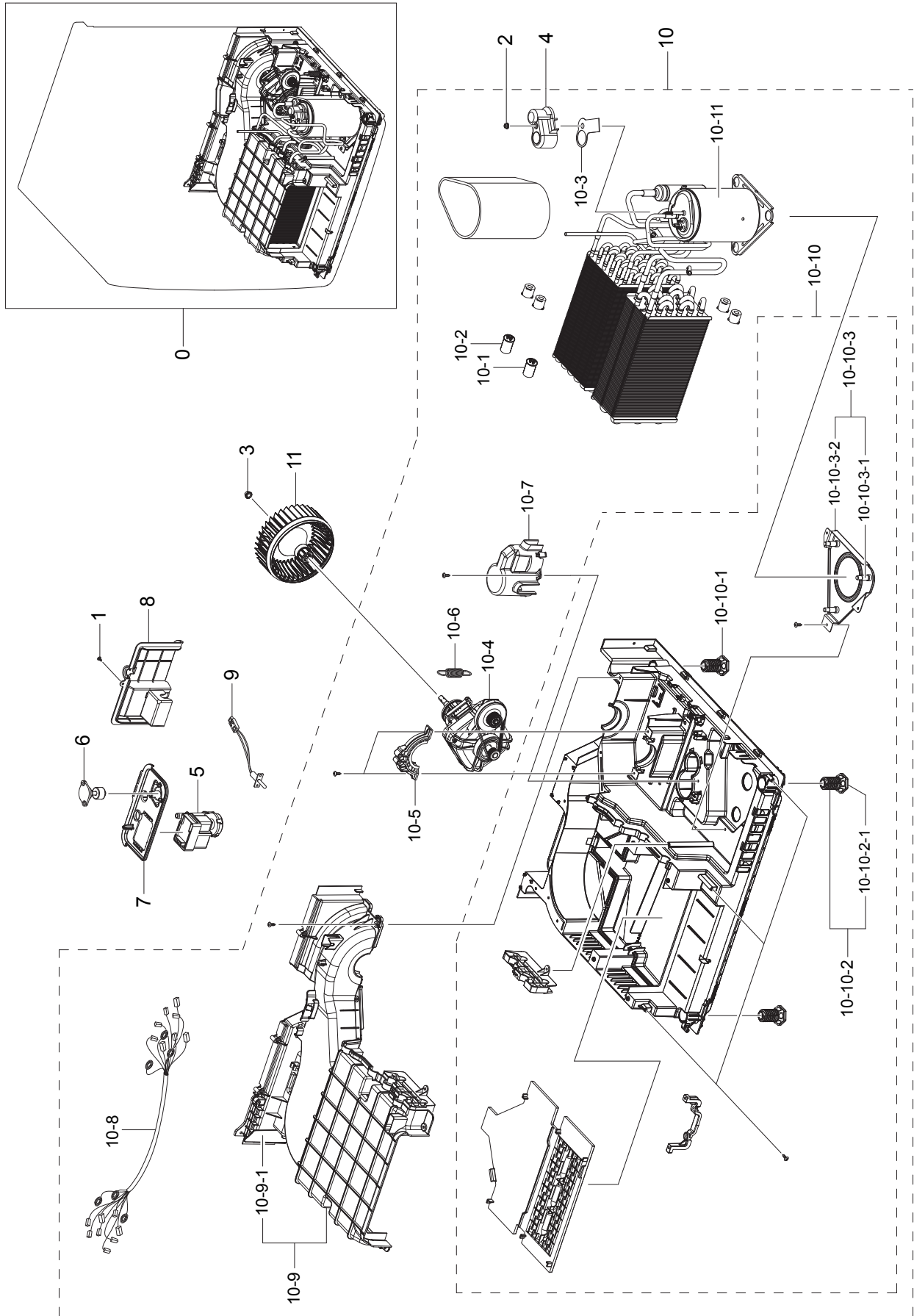
5. ASSY DRAWER PARTS



MODEL CODE: DV80TA020TE/ECService Bom (**SA**: SERVICE AVAILABLE, **SNA**: SERVICE NOT AVAILABLE)

Drawing No.	Code No.	Description	Specification	QTY	Un	SA/SNA
0	DC90-28768A	ASSY DRAWER PARTS	DV5000T,DV80TA020TE/EC	1	PC	SNA
1	DC64-03667H	PANEL DRAWER	DV5000T,ABS,-,-,HG-0760GP,D	1	PC	SA
2	DC97-15757L	ASSY HOSE DRAIN	DV5000T,DV90T5740BW,Housing drawer to Base,GRAY	1	PC	SA
3	DC97-17451D	ASSY HOUSING DRAWER	DV5000T,DV90T5740BW	1	PC	SA
3-1	DC61-03647A	HOUSING DRAWER	DV90D5E5HGW,PP,T2.5,NATURAL,BJ350	1	PC	SA
4	DC97-20475A	ASSY DRAWER	DV5000M,DV70M5220IW/EN,PP	1	PC	SA

6. ASSY BASE PARTS



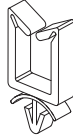
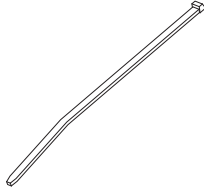



MODEL CODE: DV80TA020TE/EC

Service Bom (SA: SERVICE AVAILABLE, SNA: SERVICE NOT AVAILABLE)

Drawing No.	Code No.	Description	Specification	QTY	Un	SA/SNA
0	DC90-28769A	ASSY BASE PARTS	DV5000T,DV9FTA040DW/EG	1	PC	SNA
1	6002-001306	SCREW-TAPPING	SWRCH18A,ZPC(WHT),L14,M4,T	29	PC	SNA
2	6021-001142	NUT-HEXAGON FLANGE	M5,ZPC(WHT),SWRCH10A,	1	PC	SNA
3	6021-001321	NUT-INCH	RIGHT TURN,3/8"-24,ZPC(BLK),SWR	1	PC	SNA
4	DB63-02310A	COVER TERMINAL	SABIC N1250,2.5,BLACK,no	1	PC	SA
5	DC31-00105A	MOTOR AC PUMP	B13-6AA01120,B13-6AA01120,	1	PC	SA
6	DC34-00010B	SWITCH FLOAT	50mm,2.5mm,50mm,AMP 177899-	1	PC	SA
7	DC61-05152B	HOLDER PUMP MOTOR	DV90T6240HT/S3,PP,T2.5	1	PC	SA
8	DC63-01609D	COVER PUMP	DV5000T,PP,T2.5,-,NATURAL,-,F	1	PC	SA
9	DC90-10128G	ASSY THERMISTOR	DRYER,5V,-20~125°C,120mm,	1	PC	SA
10	DC90-28417A	ASSY CIRCULATION SYSTEM PARTS	DV5000T,DV	1	PC	SA
10-1	2501-001233	C-OIL	15,-25to+80,450V,±5,50x65,#250,PP,AL,S2	1	PC	SA
10-2	2501-001339	C-OIL	8,-25to+80C,450V,5%,40x55mm,#250,PP,AL,S2	1	PC	SA
10-3	DB63-00817A	GASKET	R/COMP,SIR,T0.8,L80,60-70,Internal OLP type	1	PC	SA
10-4	DC31-00106D	MOTOR AC DRIVE	2Pole,220-240V,50Hz,0.5-1.5A,240W,2700-2850RPM,CFM	1	PC	SA
10-5	DC61-02467A	SUPPORT-MOTOR(U)	D100-PJT,PP,T3	1	PC	SA
10-6	DC61-02487A	SPRING ETC TENSION	SDC18809,HSWR,CD2.0,OD17,L70,SILVER,HEAT,D100-PJT	1	PC	SA
10-7	DC61-03633E	HOLDER CONDENSER	DV5000T,PP,T2.5,NATURAL	1	PC	SA
10-8	DC93-01003Q	ASSY WIRE HARNESS-MAIN	DRYER-M,AC,GND R,	1	PC	SA
10-9	DC93-00876A	ASSY COVER CONDENSER	DV5000T,DV80TA020DW/EU	1	PC	SNA
10-9-1	DC63-02604A	COVER CONDENSER-U	DV90T5740BV,PP+TD30%,T	1	PC	SNA
10-10	DC97-22297A	ASSY BOTTOM	DV5000T,DV90TA040AE/EE	1	PC	SNA
10-10-1	DC61-02447B	LEG	D100 DRYER,FRPP,NATURAL	2	PC	SA
10-10-2	DC61-04545A	LEG	DV5000M,FRPP,NATURAL	2	PC	SA
10-10-2-1	DC61-05178A	LEG RUBBER	DV5000T,EPDM,DARK HOLDER GRAY	1	PC	SA
10-10-3	DC97-17568A	ASSY BRACKET COMP	DV-F500E	1	PC	SNA
10-10-3-1	6011-001539	BOLT-ETC	M8,L36.5(10),ZPC(YEL),MSWR10,G1-PJT	3	PC	SA
10-10-3-2	DC61-03656A	BRACKET COMP	DV-F500E,GI-SGCC,T1,NATURAL	1	PC	SA
10-11	UX9CT1030JJASS	RCP,COMP,RCP(DRYER),J,R134A		1	PC	-
11	DC93-00873A	ASSY FAN DRY	DV5000T,DV90T5740BV,FRPP	1	PC	SA

7. SMALL PARTS

				
1	2	3	4	5

MODEL CODE: DV80TA020TE/EC

Service Bom (SA: SERVICE AVAILABLE, SNA: SERVICE NOT AVAILABLE)

Drawing No.	Code No.	Description	Specification	Install. Point	QTY	Un	SA/SNA
1	DC61-40081A	HOLDER WIRE	DAWH-2NC,PA66,NATURAL	ASSY FRAME-REAR	1	PC	SA
2	DC61-60074A	HOLDER WIRE	PA,NATURAL,101F,rectangle	FRAME REAR	1	PC	SNA
2	DC61-60074A	HOLDER WIRE	PA,NATURAL,101F,rectangle	ASSY DRUM FRONT	1	PC	SNA
3	DC61-00553B	CABLE CLAMP	DAWS-3NE,PA66,NTR	ASSY BOTTOM	1	PC	SNA
3	DC61-00553B	CABLE CLAMP	DAWS-3NE,PA66,NTR	ASSY DRUM FRONT	2	PC	SNA
4	DC65-10001A	CABLE TIE	CT-140,T1.1,W3.5,L145,NTR,NYLON66	ASSY ACCESSORY	2	PC	SNA
5	DE65-20026A	HOLDER WIRE	PA,NATURAL,LOCK-TWIST/ STAND/Y260STC/SSEC/NYLON66	FRAME REAR	2	PC	SNA
5	DE65-20026A	HOLDER WIRE	PA,NATURAL,LOCK-TWIST/ STAND/Y260STC/SSEC/NYLON66	GUIDE AIR FLOW	1	PC	SNA

8. PARTS LIST (SCREW TYPE)

MODEL CODE: DV80TA020TE/EC

Service Bom (SA: SERVICE AVAILABLE, SNA: SERVICE NOT AVAILABLE)

Code No.	Description	Specification	QTY	Un	SA/ SNA
6001-001773	SCREW-MACHINE	TH,+,M5,L12,PASS,STS304,2,SEAL-LOCK	2	PC	SA
6002-000213	SCREW-TAPPING	TH,+,1,M4,L12,ZPC(WHT),SWRCH18A	14	PC	SNA
6002-000215	SCREW-TAPPING	TH,+,1,M4,L16,ZPC(WHT),SWRCH18A	14	PC	SNA
6002-000234	SCREW-TAPPING	TH,+,NO,2S,M4,L16,ZPC(WHT),SWRCH18A	12	PC	SNA
6002-000239	SCREW-TAPPING	TH,+,NO,2S,M4,L8,ZPC(WHT),SWRCH18A	15	PC	SNA
6002-000445	SCREW-TAPPING	TH,+,NO,2,M4,L18,PASS,STS430	8	PC	SNA
6002-000630	SCREW-TAPPING	PH,+,2S,M3,L8,ZPC(WHT),SWRCH18A	1	PC	SNA
6002-001149	SCREW-TAPPING	TH,+,NO,2S,M4,L12,NI PLT,SWRCH18A,ZnNi + TOP Coating	4	PC	SNA
6002-001286	SCREW-TAPPING	FH,+, -,1,M4,L16,PASS,STS430,-	3	PC	SNA
6002-001306	SCREW-TAPPING	TH,+,1,M4,L14,ZPC(WHT),SWRCH18A	45	PC	SNA
6002-001431	SCREW-TAPPING	HEX,+,2,M5,L16,ZPC(WHT),SWRCH18A	2	PC	SA
6002-001435	SCREW-TAPPING	TH,+,2,M4,L12,PASS,STS304	9	PC	SNA
6003-001768	SCREW-TAPTYPE	TH,+,WT,S,M4,L10,ZPC(WHT),SWRCH18A	4	PC	SNA
6006-001174	SCREW-TAPPING	TH,+,WT,2S,M4,L12,ZPC(WHT),SWRCH18A	13	PC	SNA
6009-001240	SCREW-SPECIAL	TH,+,M5,L13.5,ZPC(WHT),SWRCH18A,2	2	PC	SNA
6009-001343	SCREW-SPECIAL	PH,TORX,M4,L12,ZPC(WHT),SWRCH18A,1,2BODY	1	PC	SNA
6009-001522	SCREW-HEX	HWH,+,M5,L16,PASS,STS430,FP,SEAL-LOCK	2	PC	SA
DB97-02087A	ASSY-SCREW TAPPING	SS-P/J,TH,M4*L16,WHITE	2	PC	SNA