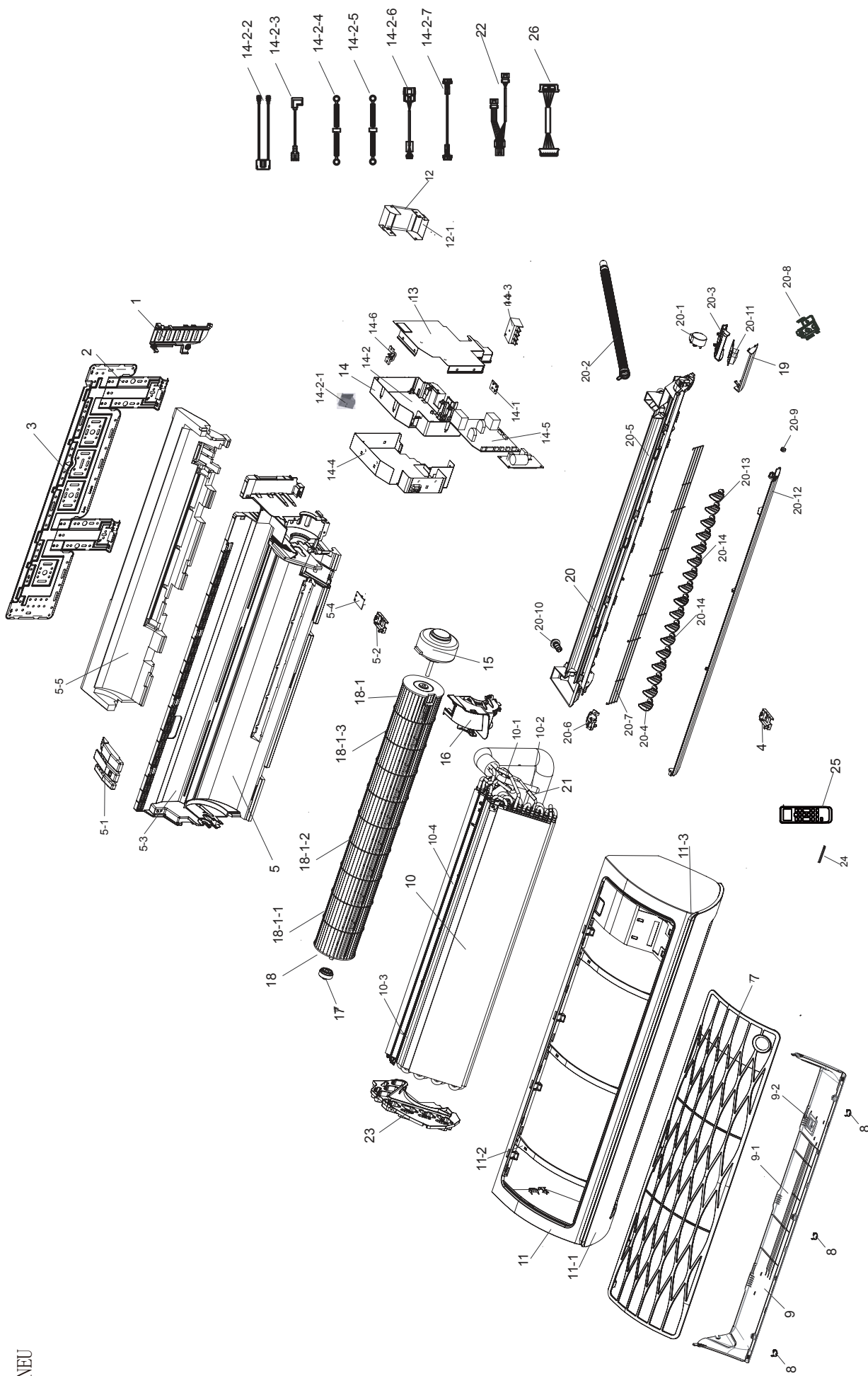


### Exploded Views and Parts List

#### INDOOR UNIT

AR24JSFSBURNEU



**Parts List (05 FRAME PART LIST)**

Exploded Views and Parts List

AR24JSFSBURNEU

| No.    | Code No.    | Description                   | Spec                                     | QTY | SA/SNA |
|--------|-------------|-------------------------------|--|-----|--------|
| 1      | DB61-05852A | HOLDER-PIPE                   | F-RAC-05,HIPS,DA SILVER,HB,PH-888G       | 1   | SNA    |
| 2      | DB90-07731A | ASSY HANGER                   | A3050 F-RAC-05,H267.6                    | 1   | SA     |
| 3      | DB61-05898A | HANGER-MAIN                   | A3050 COMMON,GI-SGCC,T0.6                | 2   | SNA    |
| 4      | DB90-07899A | ASSY CASE PCB-SUB             | A3050-PJT,F-04,160mm                     | 1   | SNA    |
| 5      | DB94-04161B | ASSY BACK BODY                | AR18FSSSCURNSA,ASSY,F05,GOOD1            | 1   | SA     |
| 5-1    | DB61-05849A | HOLDER                        | A3050, F-RAC-03/04/05,HIPS,BLACK,-,PH-88 | 1   | SA     |
| 5-2    | DB61-05854A | CASE PCB-REMOCON              | A3050, F-RAC-05,HIPS,-,BLACK             | 1   | SNA    |
| 5-3    | DB61-05870B | BODY BACK                     | F-RAC-05,ABS,T2.3,BLACK,NO SPI(LAMP)     | 1   | SNA    |
| 5-4    | DB92-02874A | ASSY PCB SUB                  | RECEIVER,A3050,24*40                     | 1   | SA     |
| 5-5    | DB62-11537A | SEAL CUSHION-BODY             | EPS,WHITE                                | 1   | SNA    |
| 7      | DB63-03525A | FILTER-PRE                    | A3050, F-RAC-05,ABS,DA WHITE             | 1   | SA     |
| 8      | DB67-01404B | CAP-SCREW                     | A3050, F-RAC-04,HIPS,T2.0,PH-888G,       | 3   | SNA    |
| 9      | DB92-02906B | ASSY-COVER PANEL              | A3050 F-RAC-05,DA WHITE                  | 1   | SNA    |
| 9-1    | DB63-03504B | COVER PANEL                   | F-RAC-05,HIPS,T2.2,-,DA WHITE,PH-888G    | 1   | SNA    |
| 9-2    | DB64-03045A | BUTTON POWER                  | A3050,PC,MILK-WHITE                      | 1   | SA     |
| 10     | DB96-19009E | ASSY EVAP TOTAL               | AR24HSFNBWKNEU,ASSY                      | 1   | SNA    |
| 10-1   | DB96-18946C | ASSY TUBE EVAP IN             | AR18HSSDBWKNEU,ASSY                      | 1   | SNA    |
| 10-2   | DB96-20429A | ASSY TUBE EVAP OUT            | AR24HSFNBURNEU,ASSY                      | 1   | SNA    |
| 10-3   | DB63-03510A | COVER EVAP                    | A3050 F-RAC-04,PP,T2.0,-,BLACK           | 1   | SA     |
| 10-4   | DB63-03512A | COVER EVAP                    | A3050 F-RAC-05,PP,T2.0,-,BLACK,BJ750     | 1   | SA     |
| 11     | DB92-03480A | ASSY PANEL FRONT PARTS        | ssec                                     | 1   | SNA    |
| 11-1   | DB64-02997D | GRILLE INLET                  | A3050 F-RAC-05,GOOD1,                    | 1   | SNA    |
| 11-2   | DB64-02996B | PANEL FRONT                   | AR5000,F-RAC-05,ABS,SSEC :               | 1   | SNA    |
| 11-3   | DB64-02998B | DECO-GRILLE                   | A3050,F-RAC-05,GOOD1,PMMA                | 1   | SNA    |
| 12     | DB90-08575A | ASSY PLATE-MIDDLE             | F-RAC-05,SSEC                            | 1   | SNA    |
| 12-1   | DB61-06299A | PLATE CONTROL-MIDDLE          | AR5000,F-RAC-05,GI-SGCC,T0.4,-           | 1   | SNA    |
| 13     | DB61-06297A | PLATE CONTROL-RIGHT           | AR5000,F-RAC-05,GI-SGCC,T0.4,-           | 1   | SNA    |
| 14     | DB92-03468A | ASSY KIT                      | INDOOR,AR5000,F05,485                    | 1   | SNA    |
| 14-1   | DB61-05812A | PLATE CONTROL-SUB             | A3050 F-RAC-01/03/04/05,GI-SGCC,T0.7,-   | 1   | SA     |
| 14-2   | DB61-06290A | CASE CONTROL-LEFT             | AR5000,F-RAC-05,HIPS,-,BLACK             | 1   | SNA    |
| 14-2-1 | DB61-05963A | SUPPORT-CONTROL               | A3050, F-RAC-03,HIPS,F744,BLACK          | 1   | SA     |
| 14-2-2 | DB93-10942A | ASSY CONNECTOR WIRE           | 2,1015,18,BRN,YH396-03V/WHT              | 1   | SA     |
| 14-2-3 | DB95-05163A | ASSY THERMISTOR IN            | 103HW,6P,400/400/400,UL1007,24,6         | 1   | SA     |
| 14-2-4 | DB93-14245A | ASSY CONNECTOR WIRE-EARTH     | 1,1015,16,YEL/GRN,ST710095-3             | 1   | SA     |
| 14-2-5 | DB93-14245A | ASSY CONNECTOR WIRE-EARTH     | 1,1015,16,YEL/GRN,ST710095-3             | 1   | SA     |
| 14-2-6 | DB93-15322A | ASSY CONNECTOR WIRE-DC SIGNAL | 5,2095,24,RED,SMH200-05H/WHT             | 1   | SA     |
| 14-2-7 | DB93-15359A | ASSY CONNECTOR WIRE-DISPLAY   | 9,2095,26,RED,SMH200-11H/WHT             | 1   | SNA    |
| 14-3   | DB65-00326A | TERMINAL BLOCK                | 4P,PBT,4-TAB,4-SCREW,36.4*47.0           | 1   | SA     |
| 14-4   | DB61-06296A | PLATE CONTROL-LEFT            | AR5000,F-RAC-05,GI-SGCC,T0.4,-           | 1   | SNA    |
| 14-5   | DB92-03467B | ASSY PCB MAIN                 | MAIN,AR5000,120mmX120mm                  | 1   | SA     |
| 14-6   | DB61-05871A | HOLDER-WIRE                   | A3050,ABS,EBONY BLACK                    | 1   | SNA    |
| 15     | DB31-00637A | MOTOR BLDC FAN                | RD-310-25-8B,1450,310V,1,25              | 1   | SA     |
| 16     | DB63-03492A | COVER MOTOR                   | A3050, F-RAC-04,ABS,-                    | 1   | SA     |
| 17     | DB94-00455B | ASSY-RUBBER BEARING           | WW-PJT,CR,BLK SSEC                       | 1   | SC     |
| 18     | DB94-04183A | ASSY FAN CROSS-TOTAL          | A3050,SSEC                               | 1   | SA     |
| 18-1   | DB94-03085A | ASSY FAN CROSS                | HAWAII PJT,PI106.5xL830.5                | 1   | SA     |
| 18-1-1 | DB94-02966A | ASSY FAN-A                    | WW3,SSEC                                 | 1   | SNA    |
| 18-1-2 | DB67-01110A | FAN-B                         | JUNGFRAU,SAN+GF30%,OD106.5,BLK           | 11  | SNA    |
| 18-1-3 | DB94-02935A | ASSY-FAN C                    | JUNGFRAU,SSEC                            | 1   | SNA    |
| 19     | DB64-02999D | WINDOW DISPLAY                | A3050,F-RAC-05,PC,T1.2,3022R             | 1   | SNA    |
| 20     | DB94-04179B | ASSY TRAY DRAIN               | AR18FCSNAWKNGA,ASSY,F05,GOOD2            | 1   | SA     |
| 20-1   | DB31-00369D | MOTOR STEP                    | DB31-00369D,35BYJ46,1.47,100PPS,DC12V    | 2   | SA     |
| 20-2   | DB94-00458H | ASSY HOSE DRAIN               | A3050-PJT,SSEC                           | 1   | SA     |
| 20-3   | DB61-05827A | CASE-DISPLAY                  | F01/F03/F04/F05,HIPS,T2.0,BLACK,HI400    | 1   | SA     |
| 20-4   | DB61-05846A | BLADE V                       | F-RAC-03/04/05,ABS,TWILIGHT BLUE         | 21  | SA     |
| 20-5   | DB63-03502A | TRAY DRAIN                    | F-RAC-05,HIPS,T2.3,BLACK                 | 1   | SNA    |
| 20-6   | DB61-05872A | GUIDE BLADE                   | A3050, F-RAC-04,HIPS,TSE:576H,           | 1   | SA     |
| 20-7   | DB63-03665A | GUARD-SCREEN                  | A3050 F-RAC-05,MSWR-SWRM,PI1.0           | 1   | SNA    |
| 20-8   | DB61-06123A | HOLDER LED                    | ABS,BLACK,HB,HF700,3 LED                 | 1   | SA     |
| 20-9   | DB61-03132A | HOLDER-BLADE OUT              | HP-C180V,STS304,0.5.W11,L5,-             | 2   | SNA    |
| 20-10  | DB73-00180B | RUBBER-CAP DRAIN              | all moel,NR,D22.40,40,RAC                | 1   | SA     |
| 20-11  | DB92-02876A | ASSY PCB DISPLAY              | GOOD,A3050,64*36                         | 1   | SC     |
| 20-12  | DB92-02916A | ASSY BLADE H                  | AR18FSSSBWKNSA,ASSY,F05,GOOD1            | 1   | SA     |
| 20-13  | DB66-01729A | LINK BLADE-A                  | A3050, F-RAC-05,POM,BLACK                | 1   | SA     |
| 20-14  | DB66-01730A | LINK BLADE-B                  | A3050, F-RAC-04,POM,NATURAL              | 1   | SA     |
| 20-15  | DB66-01750A | LINK BLADE-A                  | A3050, F-RAC-05,POM,BLACK                | 1   | SA     |
| 21     | DB67-60030A | SPRING-SENSOR                 | WW2-PJT,STS301,0.4,T0.4,W2.7             | 2   | SA     |
| 22     | DB93-14220A | ASSY CONNECTOR WIRE-DC SIGNAL | 10,2095,24,RED,YLP-06V/WHT               | 1   | SA     |
| 23     | DB61-05851A | HOLDER EVAP                   | A3050, F-RAC-05,ABS,BLACK,-,SSEC:121H    | 1   | SNA    |
| 24     | 4301-000121 | BATTERY-MN                    | 1.5V,R03,10.5x44.5m,7.5g,AAA             | 2   | SNA    |
| 25     | DB93-14643C | ASSY WIRELESS REMOCON         | RS-3,ENGLISH,40.0*45.0,℃,RAC             | 1   | SNA    |
| 26     | DB93-14206A | ASSY CONNECTOR WIRE-DC SIGNAL | SMH200-04H/WHT,-,160,-,-                 | 1   | SA     |