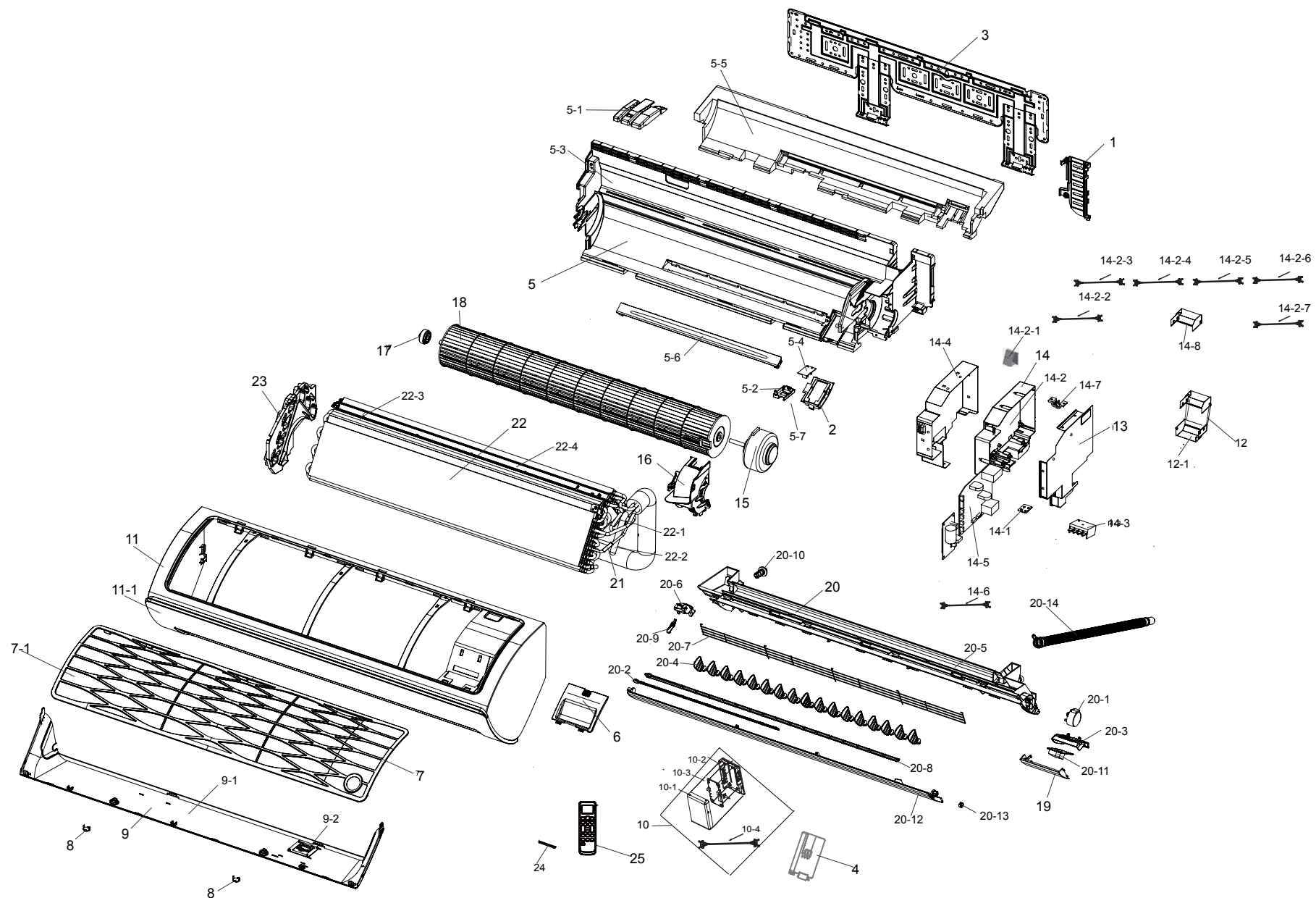


Exploded Views and Parts List

INDOOR UNIT



**Parts List (05 FRAME PART LIST)**

Exploded Views and Parts List

No.	CodeNo.	Description	QT' Y	SA/SNA
			AR18HSFNCWKNEU	
1	DB61-05852A	HOLDER-PIPE	1	SNA
2	DB63-03491A	COVER-BODY SPI	1	SA
3	DB90-07731A	ASSY HANGER	1	SA
4	DB61-06101A	CASE PCB-LOW	1	SA
5	DB94-04161B	ASSY BACK BODY	1	SNA
5-1	DB61-05849A	HOLDER	1	SNA
5-2	DB61-05854A	CASE PCB-REMOCON	1	SNA
5-3	DB61-05870A	BODY BACK	1	SNA
5-4	DB92-02875A	ASSY PCB SUB	1	SA
5-5	DB62-11537A	SEAL CUSHION-BODY	1	SNA
5-6	DB63-03508A	COVER BODY	1	SA
5-7	DB92-02874A	ASSY PCB SUB	1	SA
6	DB63-03494A	COVER PANEL-SUB	1	SA
7	DB94-04358A	ASSY FILTER-PRE	1	SA
7-1	DB63-03525A	FILTER-PRE	1	SA
8	DB67-01404A	CAP-SCREW	3	SNA
9	DB92-02906A	ASSY-COVER PANEL	1	SNA
9-1	DB63-03504A	COVER PANEL	1	SNA
9-2	DB64-03045A	BUTTON POWER	1	SA
10	DB90-07763A	ASSY-WIFI KIT	1	SNA
10-1	DB61-05847A	CASE PCB	1	SA
10-2	DB63-03503A	COVER PCB	1	SA
10-3	DB92-02875A	ASSY PCB SUB	1	SA
10-4	4709-002176	W-LAN MODULE	1	SA
11	DB92-02936C	ASSY PANEL FRONT	1	SNA
11-1	DB64-03002D	GRILLE INLET	1	SA
12	DB90-07861A	PLATE CONTROL-MIDDLE	1	SNA
12-1	DB61-06079A	PLATE CONTROL-MIDDLE	1	SA
13	DB90-07796A	ASSY PLATE-CONTROL	1	SNA
14	DB93-14236D	ASSY CONTROL IN	1	SNA
14-1	DB61-05812A	PLATE CONTROL-SUB	1	SNA
14-2	DB61-05891A	CASE CONTROL-IN	1	SNA
14-2-1	DB61-05963A	SUPPORT-CONTROL	1	SA
14-2-2	DB93-14202A	ASSY CONNECTOR WIRE-POWER	1	SA
14-2-3	DB93-14207A	ASSY CONNECTOR WIRE-DC SIGNAL	1	SA
14-2-4	DB93-14208A	ASSY CONNECTOR WIRE-DC SIGNAL	1	SA
14-2-5	DB93-14211A	ASSY CONNECTOR WIRE-DC SIGNAL	1	SA
14-2-6	DB93-14203A	ASSY CONNECTOR WIRE-POWER	1	SA
14-2-7	DB93-14447A	ASSY CONNECTOR WIRE-COMM	1	SA
14-3	DB65-00326A	TERMINAL BLOCK	1	SA
14-4	DB92-02861A	ASSY MODULE	1	SA
14-5	DB92-02873A	ASSY PCB MAIN	1	SA
14-6	DB95-05163A	ASSY THERMISTOR IN	1	SA
14-7	DB61-05871A	HOLDER-WIRE	1	SNA
14-8	DB61-05965A	PLATE CONTROL-UP	1	SA
15	DB31-00636A	MOTOR BLDC	1	SNA
16	DB63-03492A	COVER MOTOR	1	SA
17	DB94-00455B	ASSY-RUBBER BEARING	1	SNA
18	DB94-03085A	ASSY-CROSS FAN	1	SA
19	DB64-02999A	WINDOW DISPLAY	1	SNA
20	DB94-04179D	ASSY TRAY DRAIN	1	SNA
20-1	DB31-00369D	MOTOR STEP	2	SA
20-2	DB66-01750A	LINK BLADE-A	1	SNA
20-3	DB61-05827A	CASE-DISPLAY	1	SA
20-4	DB61-05846A	BLADE V	21	SNA
20-5	DB63-03502A	TRAY DRAIN	1	SNA
20-6	DB61-05872A	GUIDE BLADE	1	SA
20-7	DB63-03531A	GUARD-SCREEN	1	SNA
20-8	DB66-01729A	LINK BLADE-A	1	SA
20-9	DB66-01730A	LINK BLADE-B	1	SA
20-10	DB73-00180B	RUBBER-CAP DRAIN	1	SA
20-11	DB92-02877A	ASSY PCB DISPLAY	1	SA
20-12	DB92-02916A	ASSY BLADE H	1	SNA
20-13	DB61-03132A	HOLDER-BLADE OUT	2	SNA
20-14	DB94-00458H	ASSY HOSE DRAIN	1	SA
21	DB67-60030A	SPRING-SENSOR	2	SA
22	DB96-19035B	ASSY EVAP TOTAL	1	SA
22-1	DB96-18980B	ASSY TUBE EVAP IN	1	SNA
22-2	DB96-18985B	ASSY TUBE EVAP OUT	1	SNA
22-3	DB63-03510A	COVER EVAP	1	SA
22-4	DB63-03512A	COVER EVAP	1	SA
23	DB61-05851A	HOLDER EVAP	1	SNA
24	4301-000121	BATTERY-MN	2	SA
25	DB93-14195A	ASSY WIRELESS REMOCON	1	SA