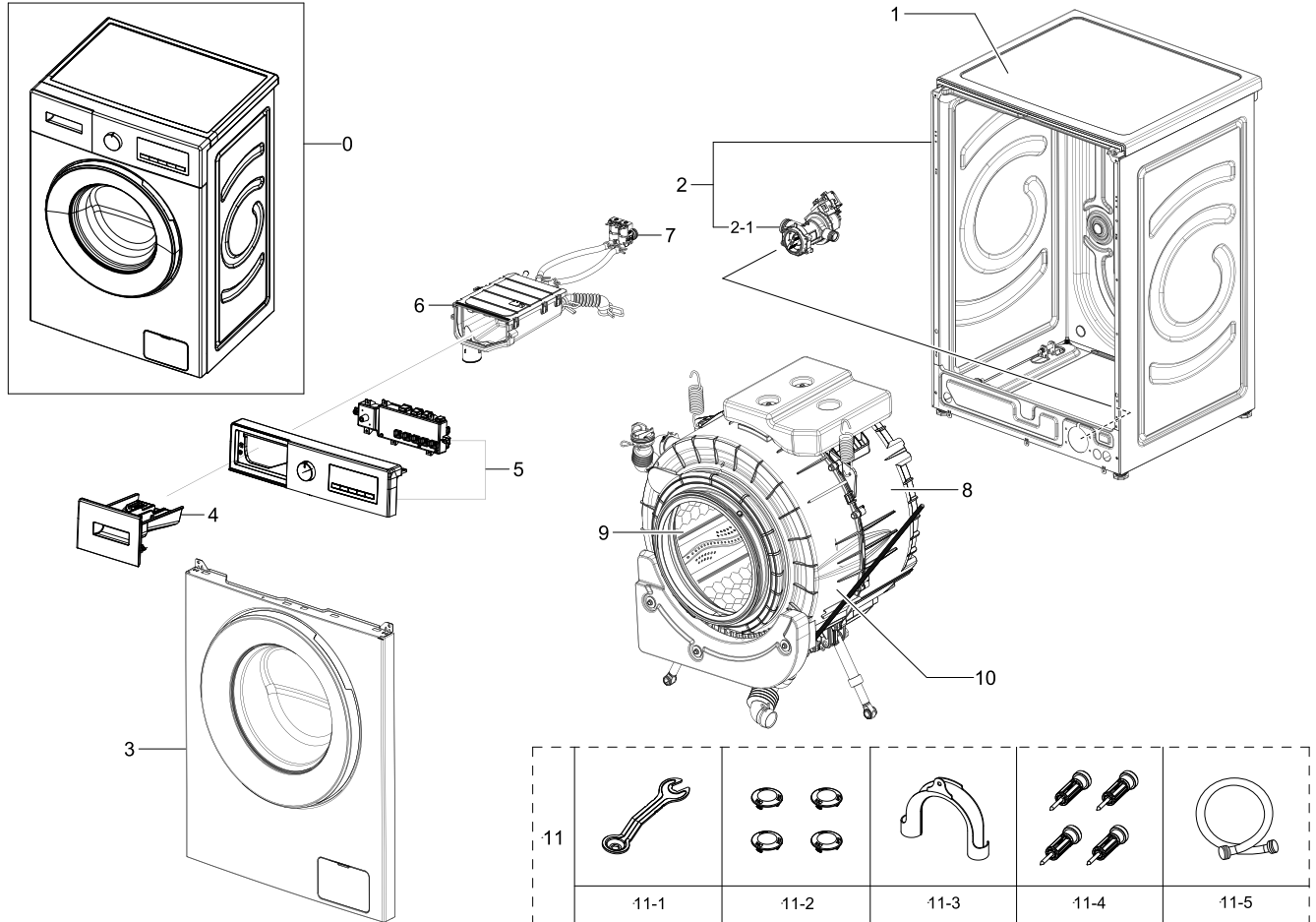


1. MAIN

MAIN

Exploded View



Parts List

No.	Lvl.	Loc.	Material Code	Description & Specification	SNA	Qty.
1	1		DC82-01419A	SVC ASSY-COVER TOP; WW3000TM,TCL ODM 9KG,	SNA	1
2	1		DC82-01906A	SVC ASSY-FRAME; WW90FG3M05TWEO,WW3000FM,9	SNA	1
2-1	2		DC82-01911A	SVC ASSY-PUMP DRAIN; WW90FG3M05TWEO,WW300	SA	1
3	1		DC82-01915A	SVC ASSY-FRAME FRONT; WW90FG3M05TWEO,WW30	SNA	1
4	1		DC82-01907A	SVC ASSY-DRAWER; WW90FG3M05TWEO,WW3000FM,	SA	1
5	1		DC82-01945A	SVC ASSY-CONTROL PANEL; WW90FG3M05*WEC,WW	SA	1
6	1		DC81-01485A	SVC ASSY-HOUSING DRAWER; WW3000TM,TCL ODM	SA	1

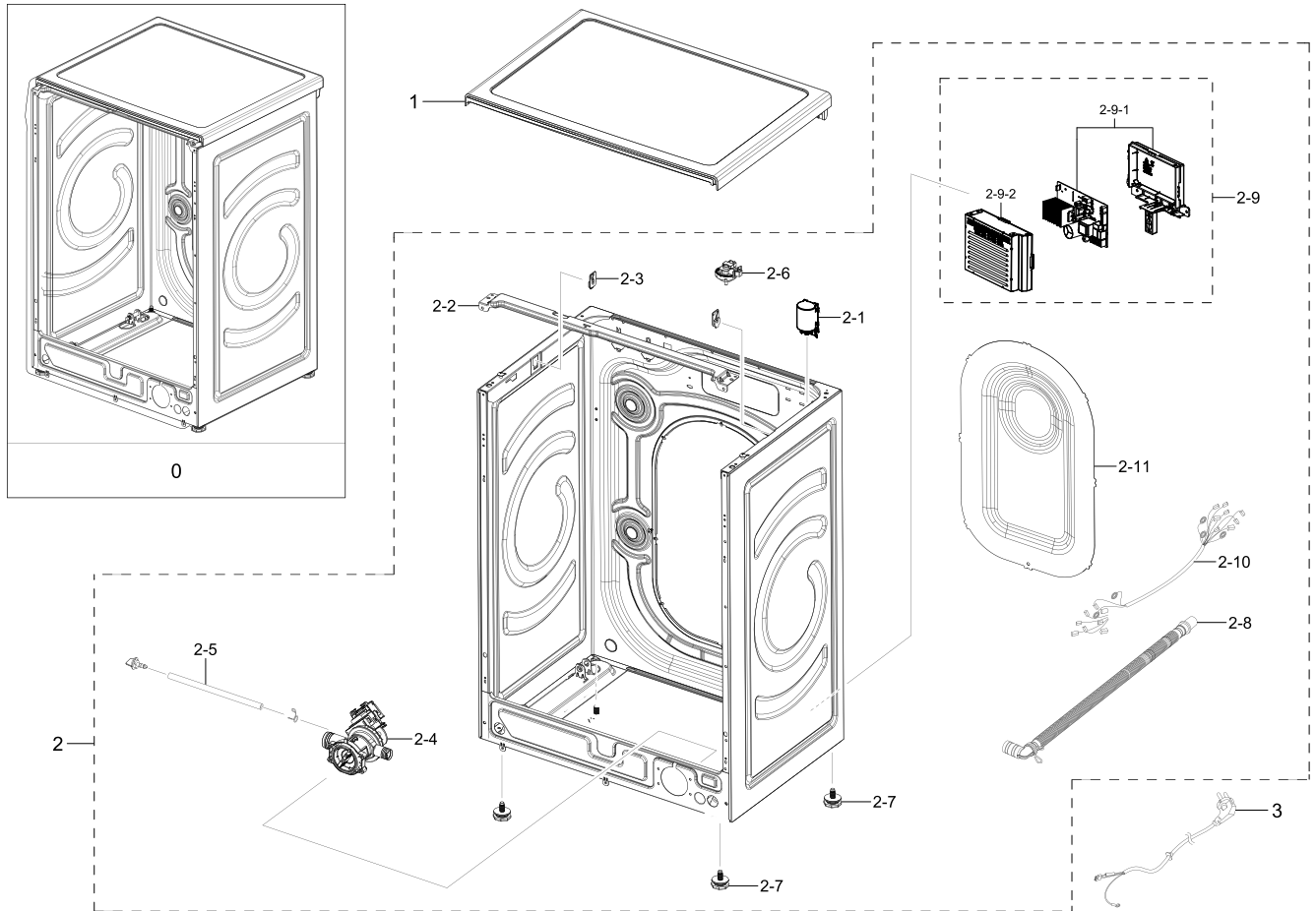
Exploded Views and Parts List

No.	Lvl.	Loc.	Material Code	Description & Specification	SNA	Qty.
7	1		DC81-01491A	SVC-VALVE WATER; WW3000TM,TCL ODM,2C112-0	SA	1
8	1		DC81-01496A	SVC ASSY-TUB BACK; WW3000TM,TCL ODM,9KG	SNA	1
9	1		DC81-01499A	SVC ASSY-DRUM; WW3000TM,TCL ODM,9KG	SNA	1
10	1		DC81-01494A	SVC ASSY-TUB FRONT; WW3000TM,TCL ODM,9KG,	SNA	1
11	1		DC81-01435A	SVC ASSY-ACCESSORY; WW3000TM,TCL ODM	SNA	1
11-1	2		DC81-01436A	SVC-BOLT SPANER; WW3000TM,TCL ODM,4C132-0	SA	1
11-2	2		DC81-01437A	SVC-CAP-FIXER; WW3000TM,TCL ODM,4C107-000	SA	4
11-3	2		DC81-01438A	SVC-HOSE-HANGER; WW3000TM,TCL ODM,4C122-0	SNA	1
11-4	2		DC81-01439A	SVC ASSY-FIXER TUB; WW3000TM,TCL ODM,8,,9	SNA	4
11-5	2		DC81-01440A	SVC ASSY-HOSE WATER; WW3000TM,TCL ODM,4C1	SA	1

2. ASSY FRAME PARTS

ASSY FRAME PARTS

Exploded View



Parts List

No.	Lvl.	Loc.	Material Code	Description & Specification	SNA	Qty.
1	1		DC82-01419A	SVC ASSY-COVER TOP; WW3000TM,TCL ODM 9KG,	SNA	1
2	1		DC82-01906A	SVC ASSY-FRAME; WW90FG3M05TWEO,WW3000FM,9	SNA	1
2-1	2		DC81-02194A	SVC-FILTER EMI; WW90FG3M05TWEO,WW3000FM,T	SA	1
2-2	2		DC81-01442A	SVC-FRAME PLATE-UP; WW3000TM,TCL ODM,4C10	SA	1
2-3	2		DC81-01444A	SVC-GUIDE SPRING; WW3000TM,TCL ODM,4C107-	SA	2
2-4	2		DC82-01911A	SVC ASSY-PUMP DRAIN; WW90FG3M05TWEO,WW300	SA	1
2-5	2		DC81-02193A	SVC-HOSE DRAIN; WW90FG3M05TWEO,WW3000FM,T	SA	1

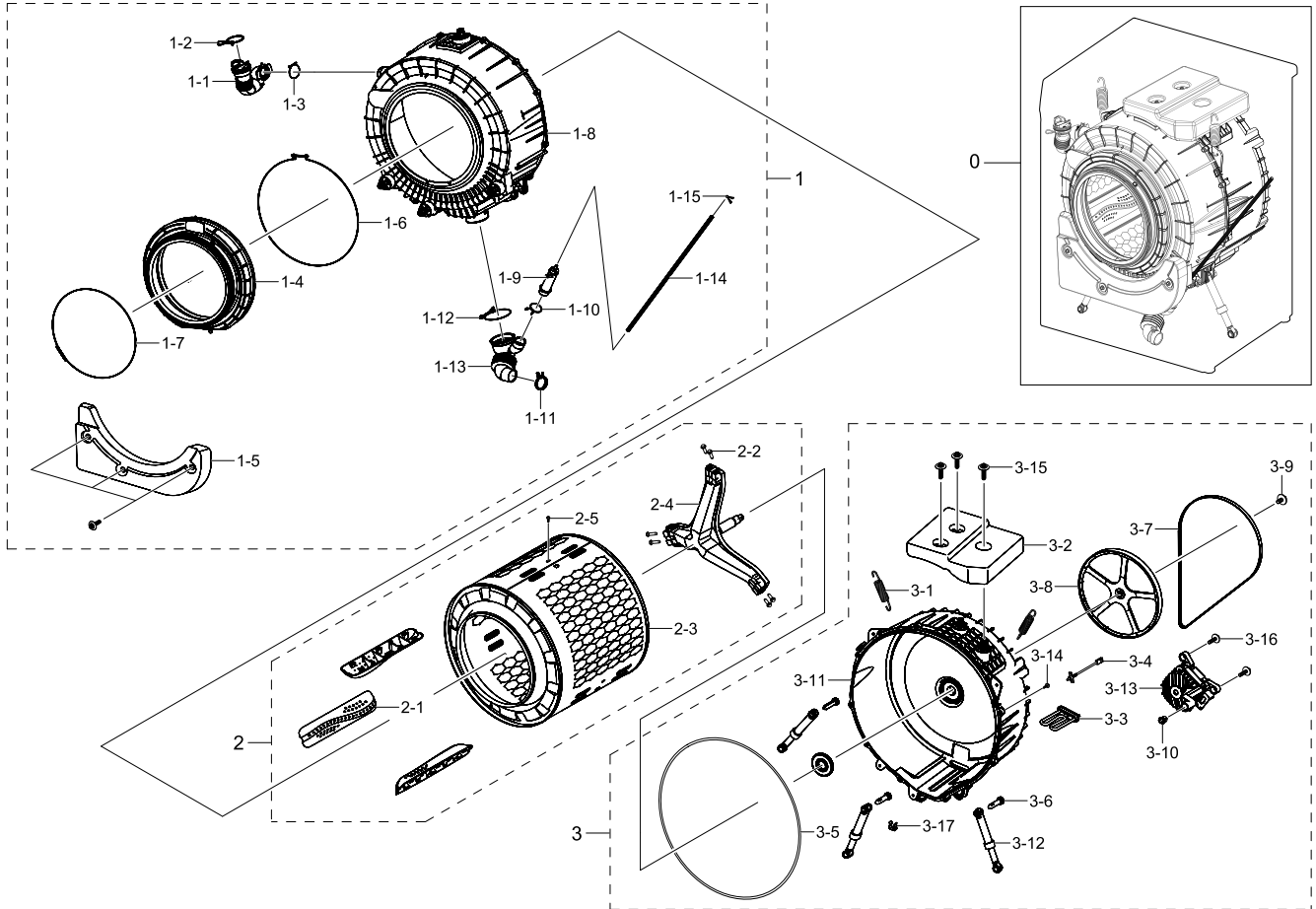
Exploded Views and Parts List

No.	Lvl.	Loc.	Material Code	Description & Specification	SNA	Qty.
2-6	2		DC81-01448A	SVC-SENSOR PRESSURE; WW3000TM,TCL ODM,2C1	SA	1
2-7	2		DC81-01451A	SVC ASSY-LEG; WW3000TM,TCL ODM,4C127-0000	SA	4
2-8	2		DC81-01452A	SVC ASSY-HOSE DRAIN; WW3000TM,TCL ODM,4C1	SA	1
2-9	2		DC82-01909A	SVC ASSY PBA-MAIN; WW90FG3M05TWEO,WW3000F	SA	1
2-9-1	3		DC82-01910A	SVC ASSY PBA-KIT; WW90FG3M05TWEO,WW3000FM	SA	1
2-9-2	3		DC81-02199A	SVC-GUIDE COVER PCB; WW90FG3M05TWEO,WW300	SA	1
2-10	2		DC82-01908A	SVC ASSY-M.GUIDE WIRE HARNESS; WW90FG3M05	SA	1
2-11	2		DC81-01759A	SVC-BACK-COVER; WW3000TM,TCL ODM,EGI,4C10	SNA	1
3	1		DC81-01450A	SVC POWER CORD-AT; WW3000TM,TCL ODM,2C101	SA	1

3. ASSY TUB & DRUM PARTS

ASSY TUB & DRUM PARTS

Exploded View



Parts List

No.	Lvl.	Loc.	Material Code	Description & Specification	SNA	Qty.
1	1		DC81-01494A	SVC ASSY-TUB FRONT; WW3000TM,TCL ODM,9KG,	SNA	1
1-1	2		DC81-01454A	SVC-HOSE DRAWER TUB; WW3000TM,TCL ODM,4C1	SA	1
1-2	2		DC81-01525A	SVC-CLIP RING DRAWER UP; WW3000TM,TCL ODM	SA	1
1-3	2		DC81-01526A	SVC-CLIP RING DRAWER LOW; WW3000TM,TCL OD	SA	1
1-4	2		DC81-01455A	SVC-DOOR DIAPHRAGM; WW3000TM,TCL ODM,4C12	SA	1
1-5	2		DC81-01457A	SVC-WEIGHT BALANCER-FRONT; WW3000TM,TCL O	SA	1
1-6	2		DC81-01458A	SVC ASSY-CLAMP DIAPHRAGM; WW3000TM,TCL OD	SA	1

Exploded Views and Parts List

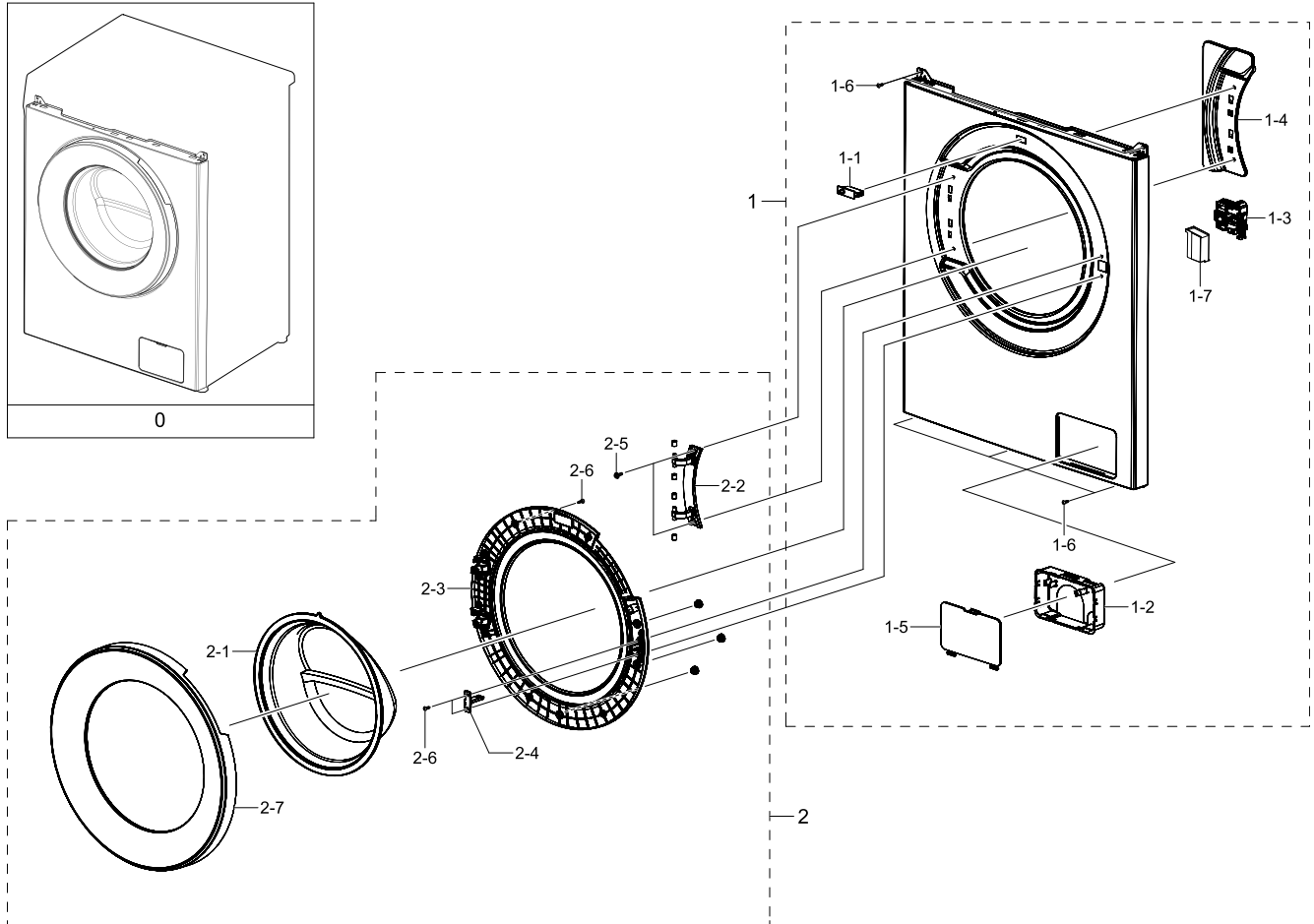
No.	Lvl.	Loc.	Material Code	Description & Specification	SNA	Qty.
1-7	2		DC81-01474A	SVC ASSY-WIRE DIAPHRAGM; WW3000TM,TCL ODM	SA	1
1-8	2		DC81-01495A	SVC-TUB FRONT; WW3000TM,TCL ODM,9KG,4C112	SA	1
1-9	2		DC81-01459A	SVC ASSY-HOSE PRESSURE; WW3000TM,TCL ODM,	SA	1
1-10	2		DC81-01456A	SVC-CLAMPER HOSE-JOINT; WW3000TM,TCL ODM,	SA	1
1-11	2		DC81-01530A	SVC-CLAMPER HOSE PUMP; WW3000TM,TCL ODM,4	SA	1
1-12	2		DC81-01529A	SVC-CLAMPER HOSE TUB; WW3000TM,TCL ODM,4C	SA	1
1-13	2		DC81-01460A	SVC-HOSE FILTER TUB; WW3000TM,TCL ODM	SNA	1
1-14	2		DC81-01461A	SVC-HOSE WATER; WW3000TM,TCL ODM	SNA	1
1-15	2		DC81-01528A	SVC-CLIP RING PRESSURE; WW3000TM,TCL ODM,	SA	1
2	1		DC81-01499A	SVC ASSY-DRUM; WW3000TM,TCL ODM,9KG	SNA	1
2-1	2		DC81-01472A	SVC-DRUM LIFTER; WW3000TM,TCL ODM,4C116-0	SA	3
2-2	2		DC81-01473A	SVC-BOLT HEX; WW3000TM,TCL ODM,51310-3000	SA	6
2-3	2		DC81-01500A	SVC-DRUM ASSY; WW3000TM,TCL ODM,9KG,4C117	SNA	1
2-4	2		DC81-01501A	SVC ASSY-FLANGE SHAFT; WW3000TM,TCL ODM,9	SA	1
2-5	2		DC81-01522A	SVC-SCREW-TAPPING; WW3000TM,TCL ODM,51310	SA	3
3	1		DC81-01496A	SVC ASSY-TUB BACK; WW3000TM,TCL ODM,9KG	SNA	1
3-1	2		DC81-01443A	SVC-SPRING ETC-HANGER; WW3000TM,TCL ODM,4	SA	2
3-2	2		DC81-01462A	SVC-WEIGHT BALANCER-UP; WW3000TM,TCL ODM,	SA	1
3-3	2		DC81-01463A	SVC-HEATER-WASH; WW3000TM,TCL ODM,2C107-0	SA	1
3-4	2		DC81-01464A	SVC-THERMISTOR; WW3000TM,TCL ODM,2C106-00	SA	1
3-5	2		DC81-01465A	SVC-PACKING-TUB; WW3000TM,TCL ODM,4C150-0	SA	1
3-6	2		DC81-01467A	SVC-DAMPER SHOCK PIN; WW3000TM,TCL ODM,4C	SA	3
3-7	2		DC81-01468A	SVC-BELT-TIMING GEAR; WW3000TM,TCL ODM,4C	SA	1

No.	Lvl.	Loc.	Material Code	Description & Specification	SNA	Qty.
3-8	2		DC81-01469A	SVC-PULLEY MOTOR; WW3000TM,TCL ODM,4C118-	SA	1
3-9	2		DC81-01470A	SVC ASSY-BOLT; WW3000TM,TCL ODM,51310-300	SA	1
3-10	2		DC81-01471A	SVC-MOTOR BUSH; WW3000TM,TCL ODM,4C126-00	SA	1
3-11	2		DC81-01497A	SVC-TUB BACK; WW3000TM,TCL ODM,9KG,4C112-	SA	1
3-12	2		DC81-01498A	SVC-DAMPER SHOCK; WW3000TM,TCL ODM,9KG,4C	SA	3
3-13	2		DC81-01502A	SVC MOTOR-BLDC; WW3000TM,TCL ODM,DIT,2C10	SA	1
3-14	2		DC81-01527A	SVC ASSY-BOLT HEX TUB; WW3000TM,TCL ODM,5	SA	12
3-15	2		DC81-01531A	SVC ASSY-BOLT HEX WEIGHT; WW3000TM,TCL OD	SA	6
3-16	2		DC81-01532A	SVC ASSY-BOLT HEX MOTOR; WW3000TM,TCL ODM	SA	2
3-17	2		DC81-01875A	SVC-BRACKET HEATER; WW3000TM,TCL ODM,STS3	SA	1

4. ASSY FRONT PARTS

ASSY FRONT PARTS

Exploded View



Parts List

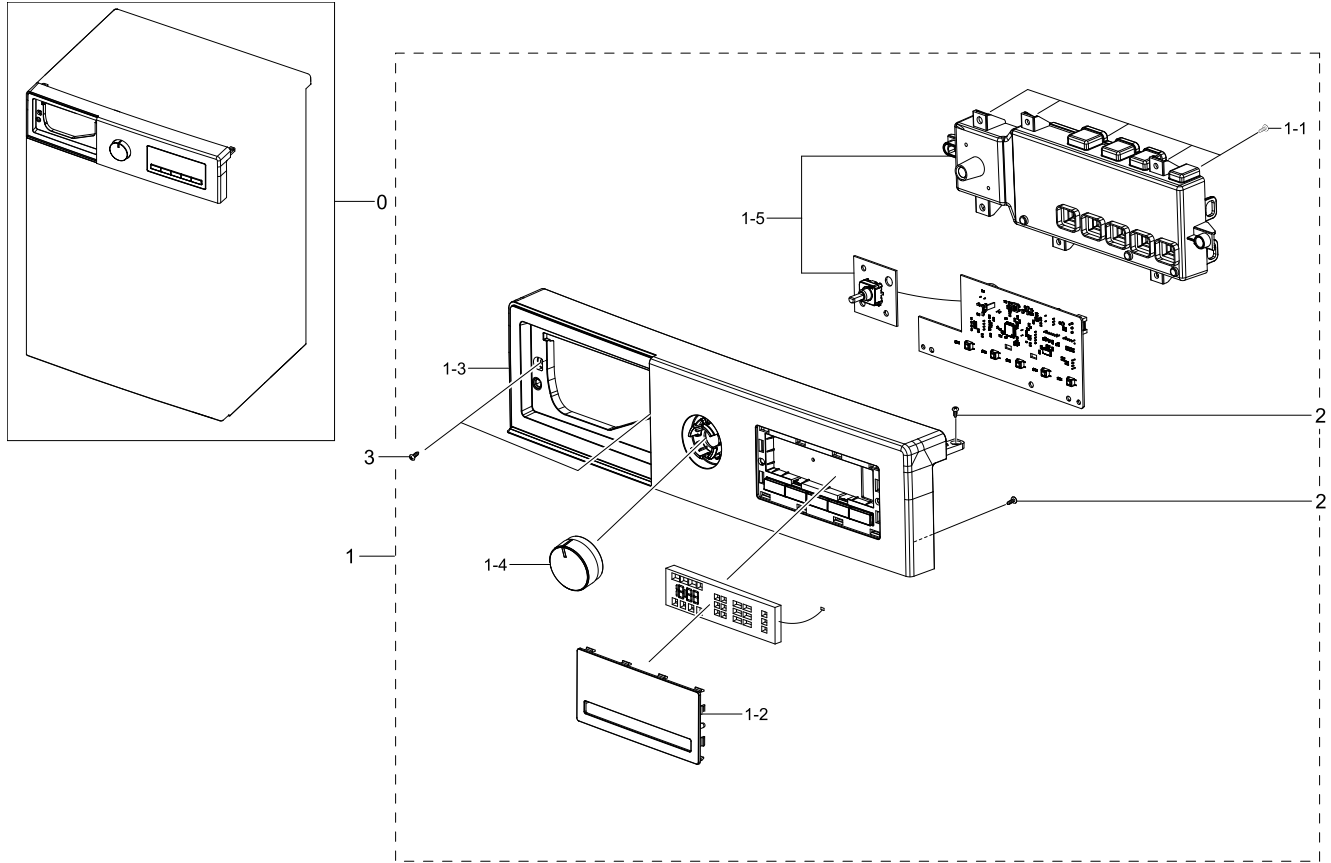
No.	Lvl.	Loc.	Material Code	Description & Specification	SNA	Qty.
0	1		DC82-01915A	SVC ASSY-FRAME FRONT; WW90FG3M05TWE0,WW30	SNA	1
1	2		DC81-02196A	SVC-FRAME FRONT; WW90FG3M05TWE0,WW3000FM,	SA	1
1-1	3		DC81-01475A	SVC-MICRO DOOR SWITCH; WW3000TM,TCL ODM,2	SA	1
1-2	3		DC81-01476A	SVC ASSY-FILTER GUIDE; WW3000TM,TCL ODM,4	SA	1
1-3	3		DC81-01477A	SVC-SWITCH DOOR LOCK; WW3000TM,TCL ODM,2C	SA	1
1-4	3		DC81-01478A	SVC-BRACKET HINGE; WW3000TM,TCL ODM,4C109	SA	1
1-5	3		DC81-01513A	SVC-COVER FILTER; WW3000TM,TCL ODM,WHT,4C	SA	1

No.	Lvl.	Loc.	Material Code	Description & Specification	SNA	Qty.
1-6	3		DC81-01521A	SVC-SCREW-TAPPING; WW3000TM,TCL ODM, 5131	SA	5
1-7	3		DC81-02197A	SVC-COVER DOOR SWITCH; WW90FG3M05TWEO,WW3	SA	1
2	2		DC81-01545A	SVC-ASSY DOOR; TCL ODM,WW3000TM,WHITE,4C1	SA	1
2-1	3		DC81-01479A	SVC-DOOR GLASS; WW3000TM,TCL ODM,4C111-00	SA	1
2-2	3		DC81-01480A	SVC ASSY-HINGE DOOR; WW3000TM,TCL ODM,4C1	SA	1
2-3	3		DC81-01481A	SVC-HOLDER GLASS; WW3000TM,TCL ODM,4C143-	SA	1
2-4	3		DC81-01482A	SVC-LEVER DOOR; WW3000TM,TCL ODM,4C143-00	SA	1
2-5	3		DC81-01483A	SVC-SCREW-HEX; WW3000TM,TCL ODM,51310-300	SA	2
2-6	3		DC81-01522A	SVC-SCREW-TAPPING; WW3000TM,TCL ODM,51310	SA	12
2-7	3		DC81-01546A	SVC-COVER DOOR; TCL ODM,WW3000TM,WHITE,4C	SA	1

5. ASSY PANEL CONTROL PARTS

ASSY PANEL CONTROL PARTS

Exploded View



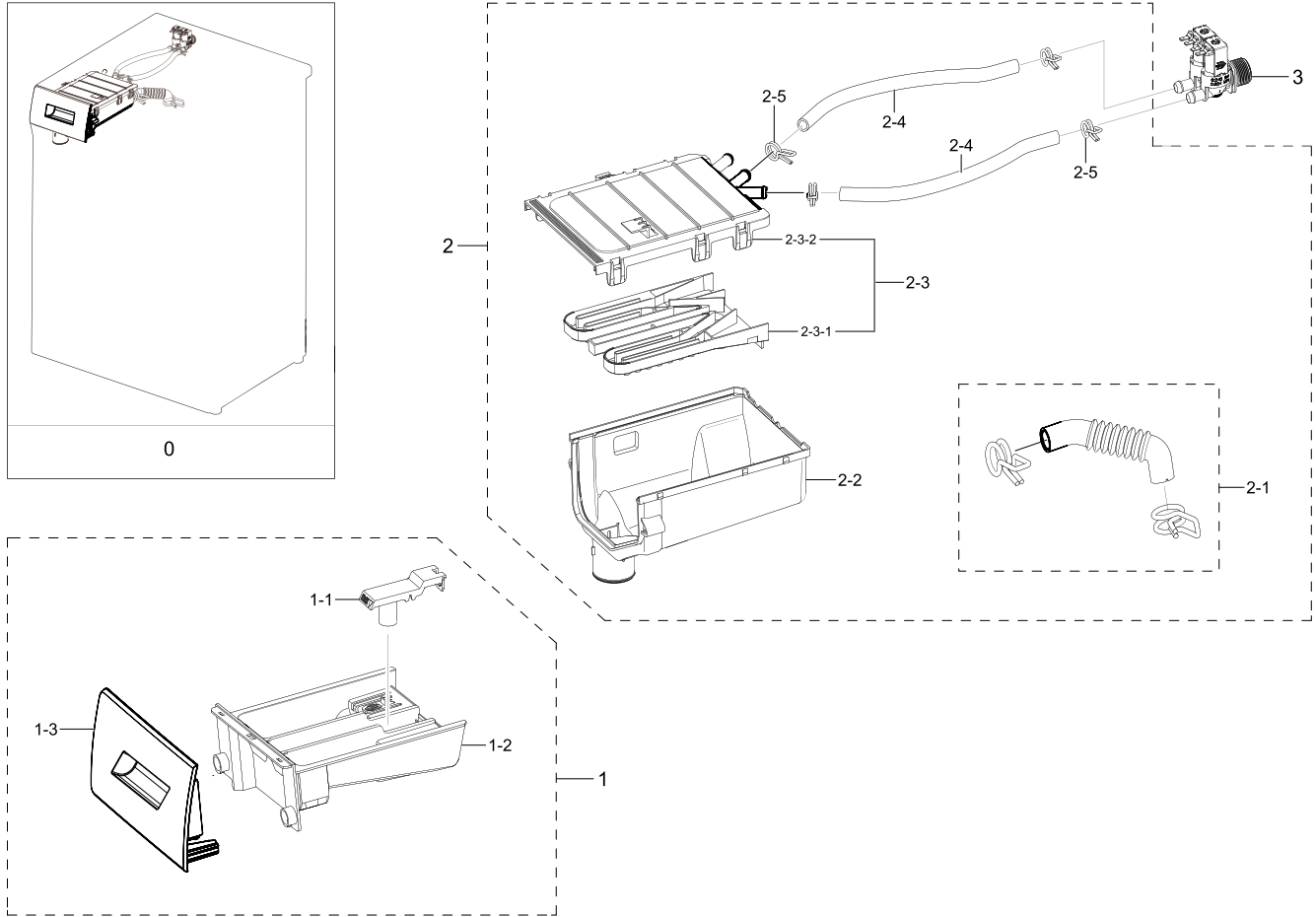
Parts List

No.	Lvl.	Loc.	Material Code	Description & Specification	SNA	Qty.
1	1		DC82-01945A	SVC ASSY-CONTROL PANEL; WW90FG3M05*WEC,WW	SA	1
1-1	2		DC81-02198A	SVC-SCREW TAPPING; WW90FG3M05TWEO,WW3000F	SA	6
1-2	2		DC81-02200A	SVC-LED SCREEN; WW90FG3M05TWEO,WW3000FM,T	SA	1
1-3	2		DC82-01956A	SVC ASSY-PANEL CONTROL; WW90FG3M05TWEC,WW	SA	1
1-4	2		DC82-01918A	SVC ASSY-KNOB; WW90FG3M05TWEO,WW3000FM,TC	SA	1
1-5	2		DC82-01917A	SVC ASSY PBA-DISPLAY; WW90FG3M05TWEO,WW30	SA	1
2	1		DC81-01521A	SVC-SCREW-TAPPING; WW3000TM,TCL ODM, 5131	SA	4
3	1		DC81-01523A	SVC-SCREW-TAPPING; WW3000TM,TCL ODM,51310	SA	2

6. ASSY DRAWER PARTS

ASSY DRAWER PARTS

Exploded View



Parts List

No.	Lvl.	Loc.	Material Code	Description & Specification	SNA	Qty.
1	1		DC82-01907A	SVC ASSY-DRAWER; WW90FG3M05TWEO,WW3000FM,	SA	1
1-1	2		DC81-01492A	SVC-CAP RINSE; WW3000TM,TCL ODM,4C133-000	SA	1
1-2	2		DC81-01493A	SVC-BODY DRAWER; WW3000TM,TCL ODM,4C134-0	SA	1
1-3	2		DC81-02195A	SVC-PANEL DRAWER; WW90FG3M05TWEO,WW3000FM	SA	1
2	1		DC81-01485A	SVC ASSY-HOUSING DRAWER; WW3000TM,TCL ODM	SA	1
2-1	2		DC81-01453A	SVC ASSY-HOSE AIR; WW3000TM,TCL ODM	SNA	1
2-2	2		DC81-01486A	SVC-HOUSING DRAWER-LOW; WW3000TM,TCL ODM,	SA	1

No.	Lvl.	Loc.	Material Code	Description & Specification	SNA	Qty.
2-3	2		DC81-01487A	SVC ASSY-S.HOUSING DRAWER; WW3000TM,TCL O	SA	1
2-3-1	3		DC81-01488A	SVC-HOUSING DRAWER-MIDDLE; WW3000TM,TCL O	SNA	1
2-3-2	3		DC81-01489A	SVC-HOUSING DRAWER-UP; WW3000TM,TCL ODM,4	SNA	1
2-4	2		DC81-01490A	SVC-HOSE CIRCULATION; WW3000TM,TCL ODM	SNA	2
2-5	2		DC81-01533A	SVC-CLAMPER HOSE DRAWER; WW3000TM,TCL ODM	SNA	4
3	1		DC81-01491A	SVC-VALVE WATER; WW3000TM,TCL ODM,2C112-0	SA	1