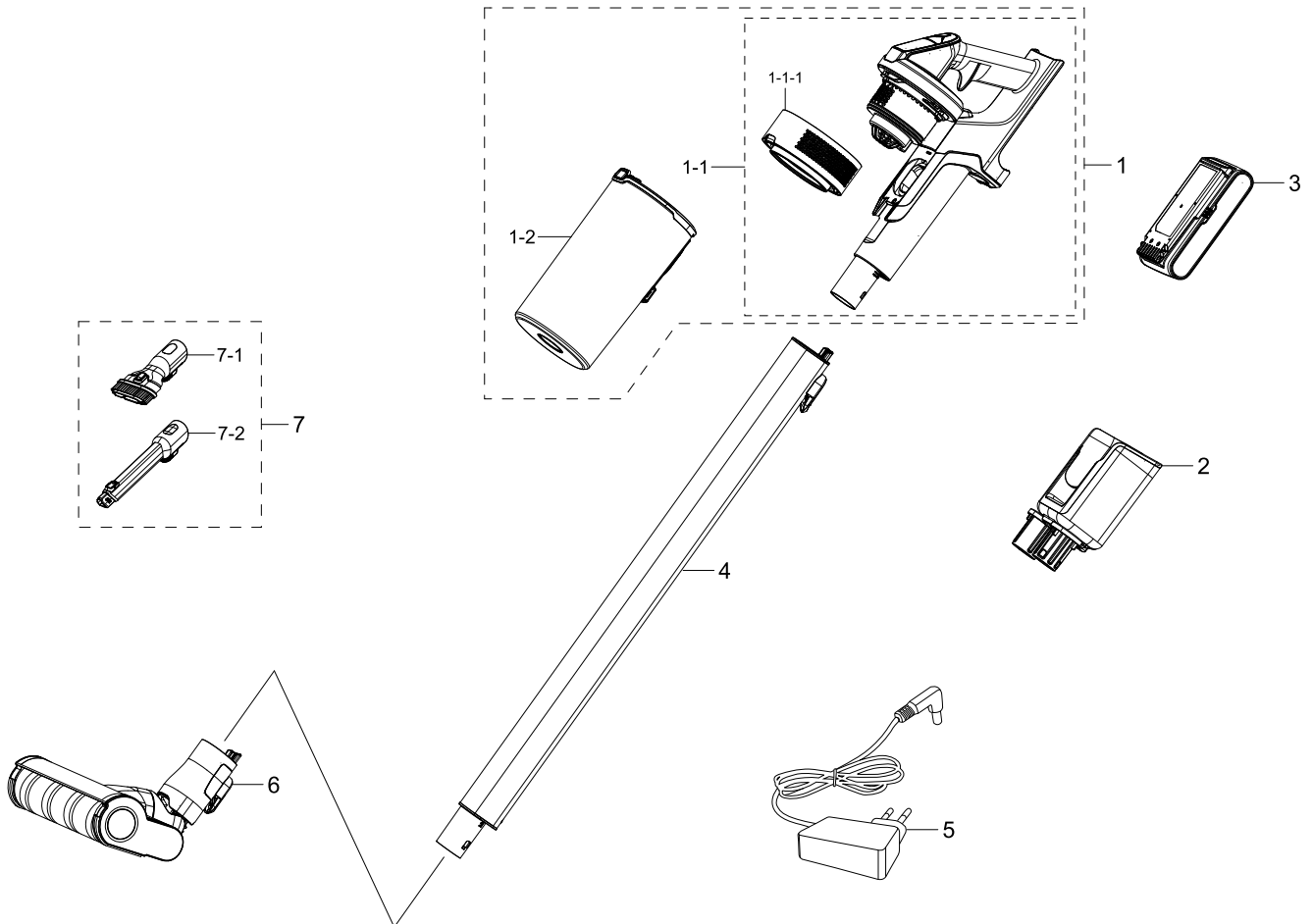


1. Main Body

Main Body

Exploded View



Parts List

No.	Lvl.	Loc.	Material Code	Description & Specification	SNA	Qty.
1	1		DJ97-03324B	ASSY HANDY; VS7500B,ASSY HANDY,BLK CHROME	SNA	1
1-1	2	RB001	DJ97-03314B	ASSY BODY; VS7500B,BLK CHROMETAL SOLID,HE	SNA	1
1-1-1	3	RB037	DJ97-02641B	ASSY GRILLE BACK; VS9000RL-ESS,TEAL MINT,	SA	1
1-2	2		DJ97-02835S	ASSY CYCLONE; VS7500B,BLACK CHROMETAL SOL	SA	1
2	2	RA014	DJ96-00231H	ASSY CHARGER; VS7500B,BLACK CHROMETAL SOL	SA	1
3	2		DJ96-00227E	ASSY BATTERY LI IB; Li-ion,21.6V,1800mAh,	SA	1
4	2		DJ97-02823D	ASSY PIPE; VS7500,AL,BUCKLE,NOCTURNE BLAC	SA	1
5	3		DJ44-00007C	ADAPTOR; DC25.85V,1.2A,AC100-240V,30W,0to	SA	1

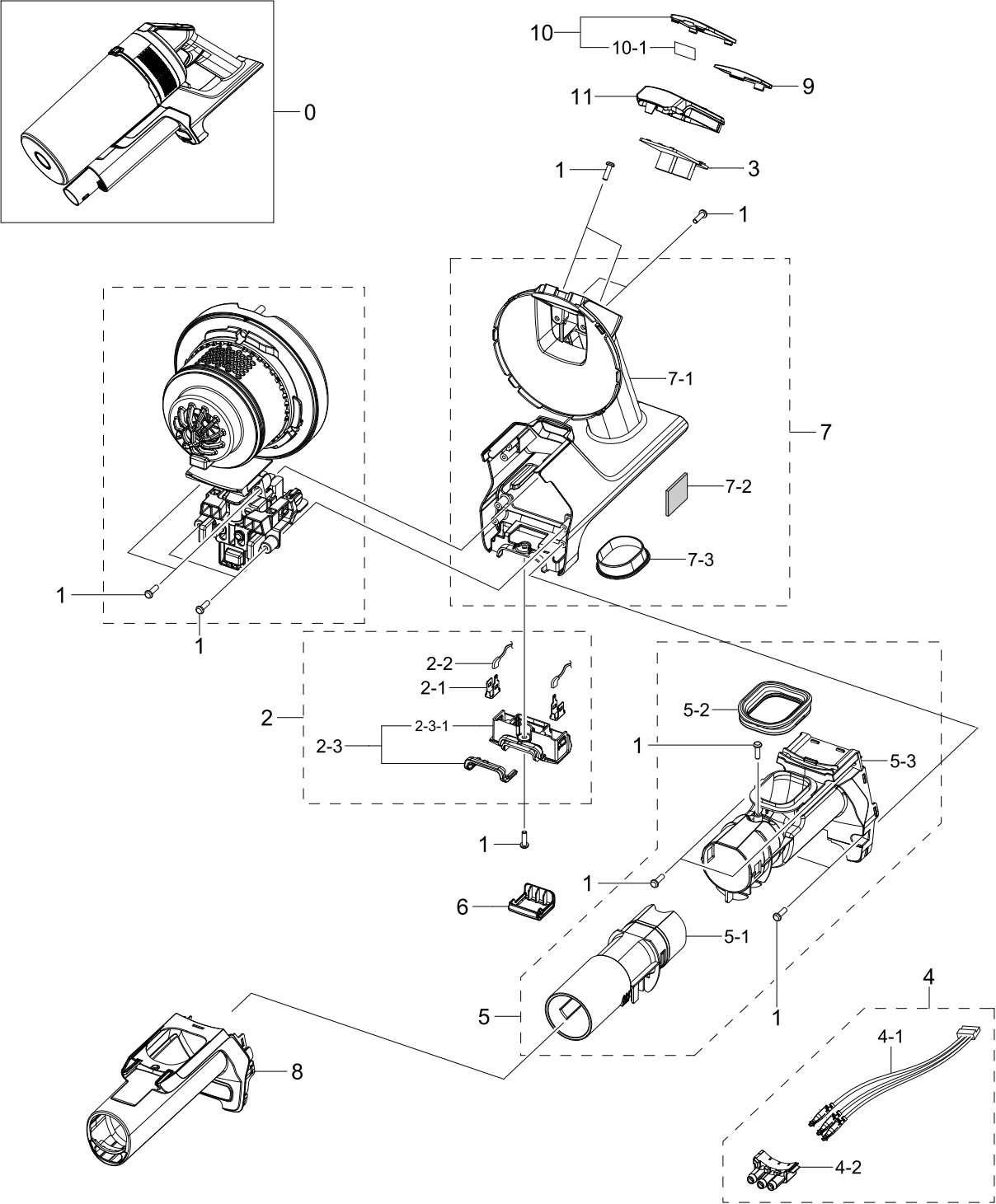
Exploded Views and Parts List

No.	Lvl.	Loc.	Material Code	Description & Specification	SNA	Qty.
6	2		DJ97-02635M	ASSY BRUSH; VS9000RL,TURBO ACTION BRUSH,B	SA	1
7	2	RA005	DJ98-01325A	ASSY ACCESSORY KIT; VS9000 ALL MODEL,ACCE	SNA	1
7-1	3	RA002	DJ98-01269A	ASSY ACCESSORY DUSTING; VS9500AL,Mini DUS	SA	1
7-2	3	RA001	DJ98-01130H	ASSY ACCESSORY CREVICE; VS9500AL,CREVICE,	SA	1

2. Assy Handy

Assy Handy

Exploded View



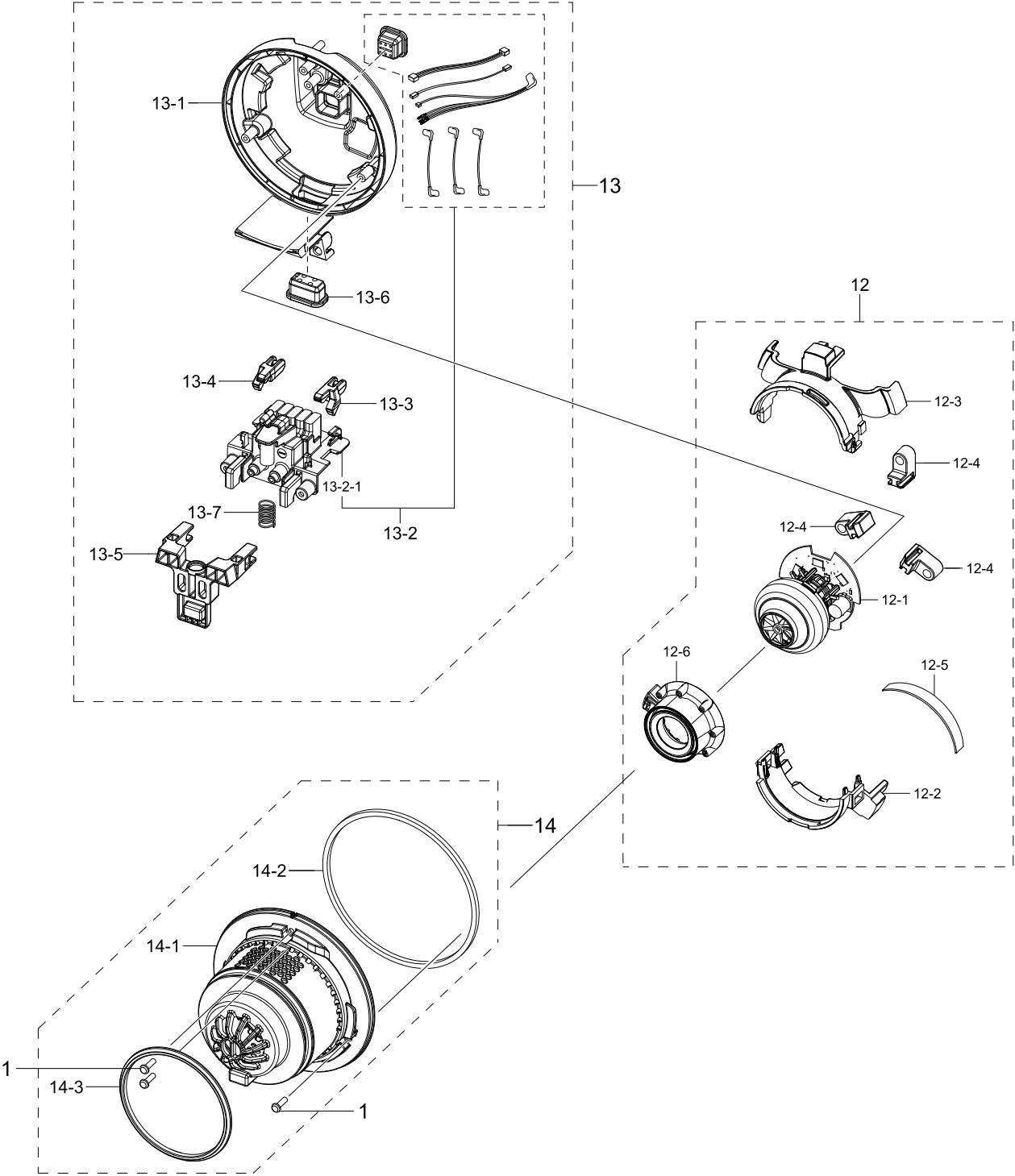
Parts List

No.	Lvl.	Loc.	Material Code	Description & Specification	SNA	Qty.
0	2	RB001	DJ97-03314B	ASSY BODY; VS7500B,BLK CHROMETAL SOLID,HE	SNA	1
1	3	RV005	6003-000159	SCREW-TAPTYPE; SWRCH18A,ZPC(BLK),L10,M3,P	SA	14
2	3		DJ97-02644F	ASSY HOLDER; VS7500B,BLACK CHROMETAL SOLI	SA	1
2-1	4		DJ37-00016A	TERMINAL; C2680,T0.5	SNA	2
2-2	4		DJ39-00284A	WIRE HARNESS-TERMINAL; 1P,CHARGER,UL3398,	SNA	2
2-3	4		DJ63-01654E	CUSHION ETC; VS7500B,TPE,-,W31.4,L9.5,OR3	SNA	1
2-3-1	5		DJ61-02558E	HOLDER ETC; VS7500B,PC,-,L25.3,BLACK CHRO	SNA	1
3	3		DJ92-00178A	ASSY MODULE; HW,SUB,VS9000RL,3-Button, LE	SA	1
4	3		DJ97-02671A	ASSY HOLDER; VS9000RL,PIPE-HANDY	SA	1
4-1	4		DJ39-00293A	WIRE HARNESS-TERMINAL; 3P,Pipe,UL3398,#22	SNA	1
4-2	4		DJ61-02555A	HOLDER TERMINAL; VS9000RL,PC,L25.5,EBONY	SA	1
5	3	RB033	DJ97-02643A	ASSY DUCT INLET; VS9000RL	SA	1
5-1	4		DJ62-00459A	PIPE CONNECTOR; VS9000RL,PC,ID30,OD33.8,G	SNA	1
5-2	4		DJ63-01653A	GASKET DUCT; VS9000NL,TPV,TPV-45VSH-45A,T	SA	1
5-3	4		DJ67-00832A	DUCT INLET; VS9000NL,PC+ABS,-,HI-1050,E	SNA	1
6	3		DJ64-01350E	BUTTON PUSH; VS6700,PC,V-2,BLACK CHROMETA	SNA	1
7	3	RB034	DJ97-02794D	ASSY FRAME; VS6700,COTTA BLACK	SA	1
7-1	4		DJ61-02617D	FRAME; VS6700,PC,COTTA BLACK,-,W,M3020P	SA	1
7-2	4		DJ63-01680A	FILTER SAFETY; VS9000RL,T5,W30,L40,EBONY	SA	1
7-3	4		DJ67-00831D	CAP ETC; VS6700,PC+ABS,HB,HI-1050,COTTA B	SNA	1
8	3		DJ61-02553M	FRAME FRONT; VS6700A/VS7500B,ABS,BLACK CH	SA	1
9	3	RB013	DJ97-02678C	ASSY BUTTON; VS7500T,Jet(3sec)	SNA	1
10	3	RB025	DJ97-02679B	ASSY COVER DISPLAY; VS9000RL,INLAY,EXP	SA	1
10-1	4		DJ64-01366B	INLAY DISPLAY; VS9000RL,PC,T0.3,W37.8,L33	SNA	1
11	3	RB042	DJ97-02680C	ASSY PANEL CONTROL; VS6700A/VS7500B,BLACK	SA	1

3. Assy Handy_Assy Motor Parts

Assy Handy_Assy Motor Parts

Exploded View



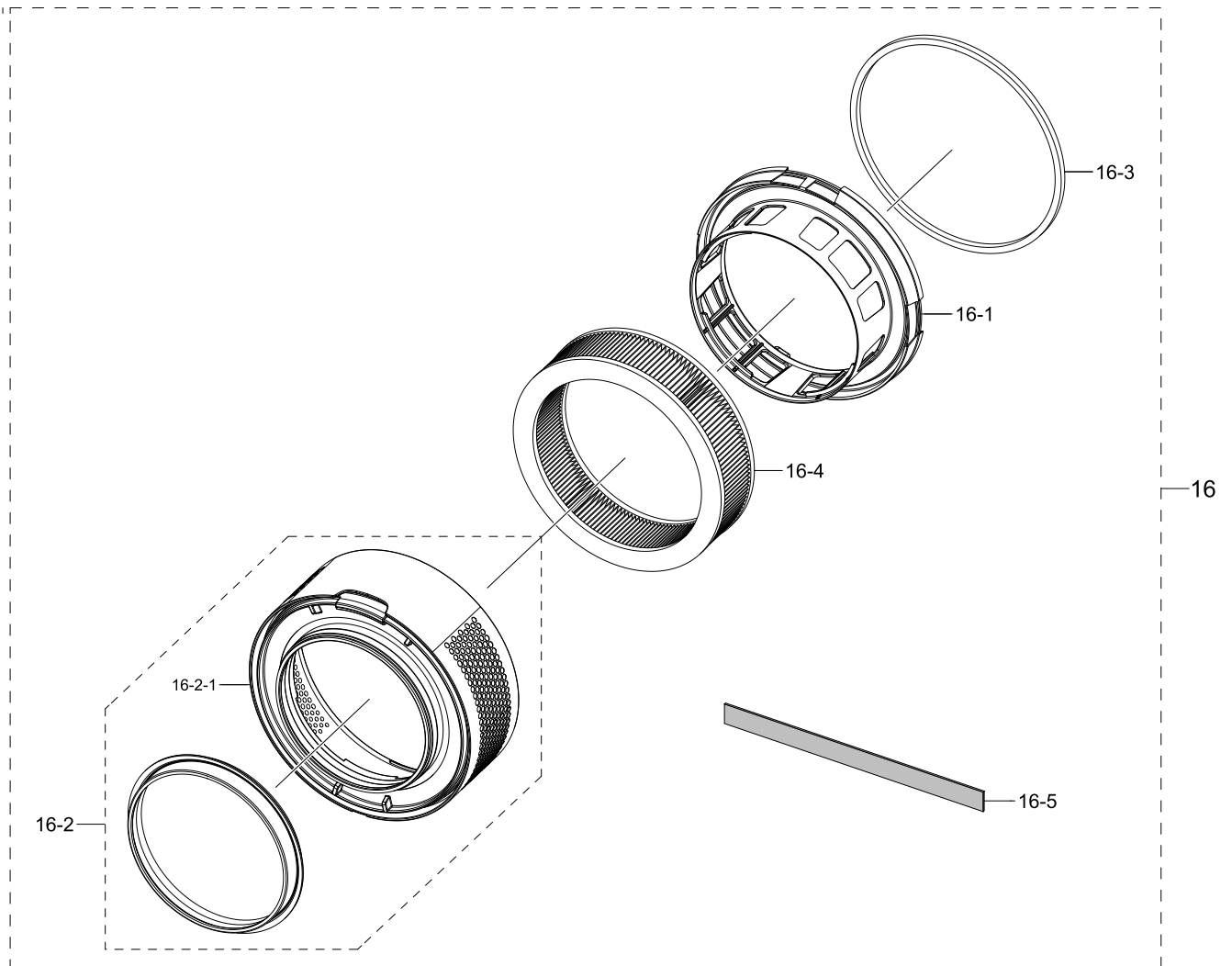
Parts List

No.	Lvl.	Loc.	Material Code	Description & Specification	SNA	Qty.
1	3	RV005	6003-000159	SCREW-TAPTYPE; SWRCH18A,ZPC(BLK),L10,M3,P	SA	14
12	3		DJ94-00892G	ASSY MOTOR PARTS; VS9000RL,SAMSUNG,V3E,VC	SA	1
12-1	4		DJ31-00178F	MOTOR BLDC FAN; VC00178FMT,135krPM,21.6V,	SA	1
12-2	4		DJ61-03043A	HOLDER MOTOR; VS6700,PP+TD30%,-,L32.6,BLA	SNA	1
12-3	4		DJ61-03042A	HOLDER MOTOR; VS6700,PP+TD30%,-,L37.4,BLA	SNA	1
12-4	4		DJ63-01683A	CUSHION ETC; VS9000RL,NBR,W9.2,L16,EBONY	SA	3
12-5	4		DJ63-01686A	GASKET ETC; VS9000RL,EPDM FOAM,-,T1,W15,L	SA	1
12-6	4		DJ63-01944A	CUSHION MOTOR; VS6700,NBR,T2,W53,L23,-,BL	SA	1
13	3		DJ97-02642K	ASSY HOLDER TERMINAL; VS7500B,BLACK CHROM	SA	1
13-1	4		DJ97-02681C	ASSY COVER; VS6700A/VS7500B,BLACK CHROMET	SA	1
13-2	4	RJ189	DJ39-00290A	WIRE HARNESS-STICK; 5P,UL3398,#14,VS9000R	SNA	1
13-2-1	5		DJ61-02567A	HOLDER TERMINAL; VS9000NL,PK+GF5%,L52,BLA	SNA	1
13-3	4		DJ66-00825A	LEVER RELEASE; VS9000NL,ABS,-,HG-0760GP,E	SNA	1
13-4	4		DJ66-00824A	LEVER RELEASE; VS9000NL,ABS,-,HG-0760GP,E	SNA	1
13-5	4		DJ61-02557A	GUIDE LINK; VS9000NL,ABS,L32.5,HB,GP-35,N	SNA	1
13-6	4		DJ63-01647A	GASKET WIRE; VS9000NL,NBR,T2.5,BATTERY	SNA	1
13-7	4	RP302	DJ61-01350A	SPRING ETC-BUTTON; SU9380,HSWR,COD0.6,ID6	SA	1
14	3	RJ004	DJ97-02670A	ASSY CASE MOTOR F; VS9000RL,BLACK	SA	1
14-1	4	RJ031	DJ63-01656A	COVER MOTOR; VS9000NL,ABS,NEUTRAL GRAY,HG	SNA	1
14-2	4		DJ63-01674A	GASKET ETC; VS9000RL,EVA FOAM,-,T3,W3,L15	SNA	1
14-3	4		DJ63-01657A	GASKET GRILLE; VS9000NL,TPV,TPV-45VSH-45A	SNA	1

4. Assy Handy_Assy Grille Back

Assy Handy_Assy Grille Back

Exploded View



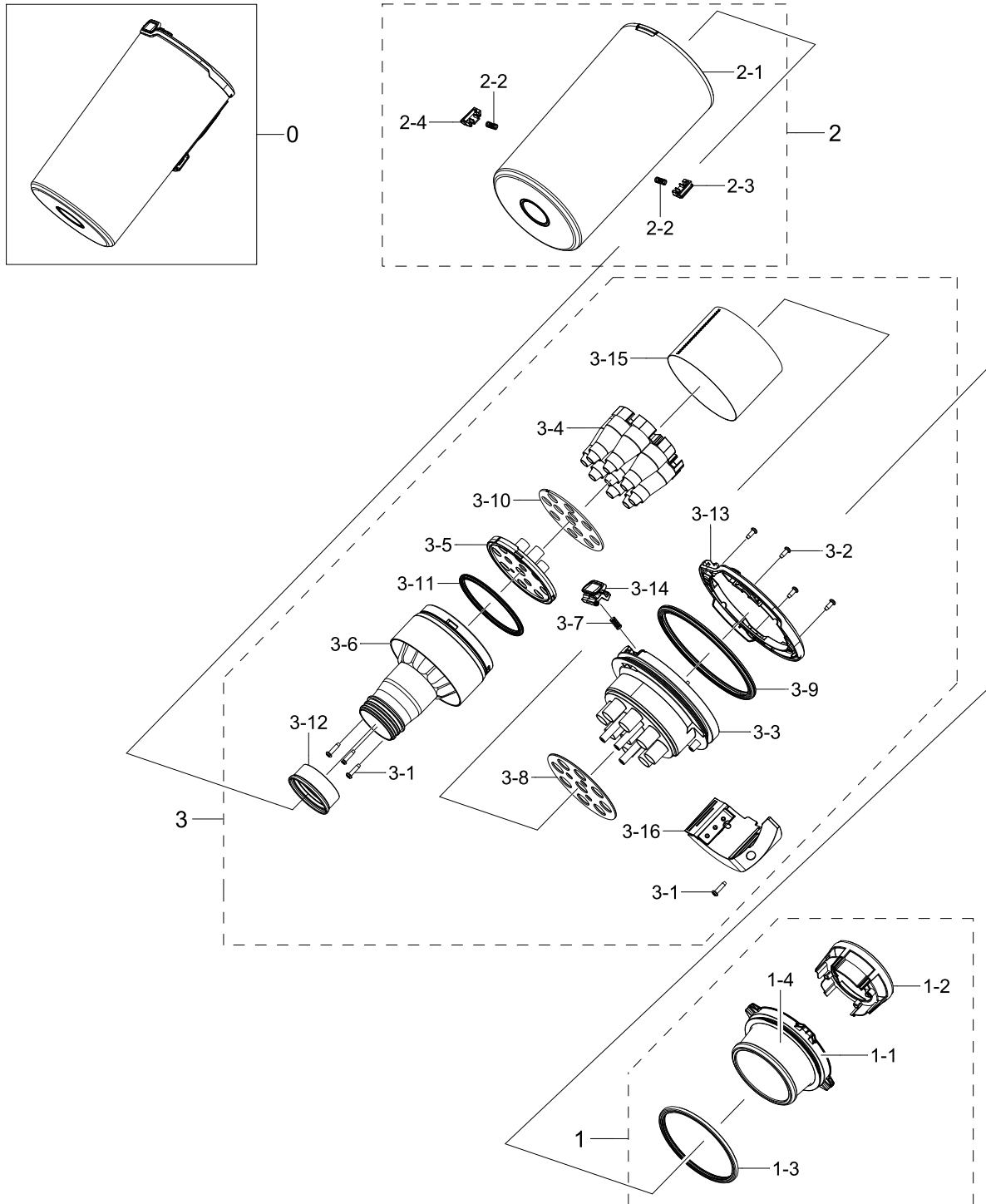
Parts List

No.	Lvl.	Loc.	Material Code	Description & Specification	SNA	Qty.
16	3	RB037	DJ97-02641B	ASSY GRILLE BACK; VS9000RL-ESS,TEAL MINT,	SA	1
16-1	4		DJ61-02559A	HOLDER GRILLE; VS9000NL,PC+ABS,L108,EBONY	SNA	1
16-2	4		DJ63-01658B	GASKET GRILLE; VS9000ESS,TPE,OR3000PC,BLA	SNA	1
16-2-1	5		DJ64-01355C	GRILLE FILTER; VS9000RL-ESS,ABS,-,HB,NEUT	SNA	1
16-3	4		DJ63-01674A	GASKET ETC; VS9000RL,EVA FOAM,-,T3,W3,L15	SNA	1
16-4	4		DJ63-01675A	FILTER OUTLET; VS9000RL,-,T9,W26.5,-,HE	SNA	1
16-5	4		DJ63-01681A	ABSORBER ETC; VS9000RL,PET,T1.2	SNA	1

5. Assy Handy_Assy Cyclone

Assy Handy_Assy Cyclone

Exploded View



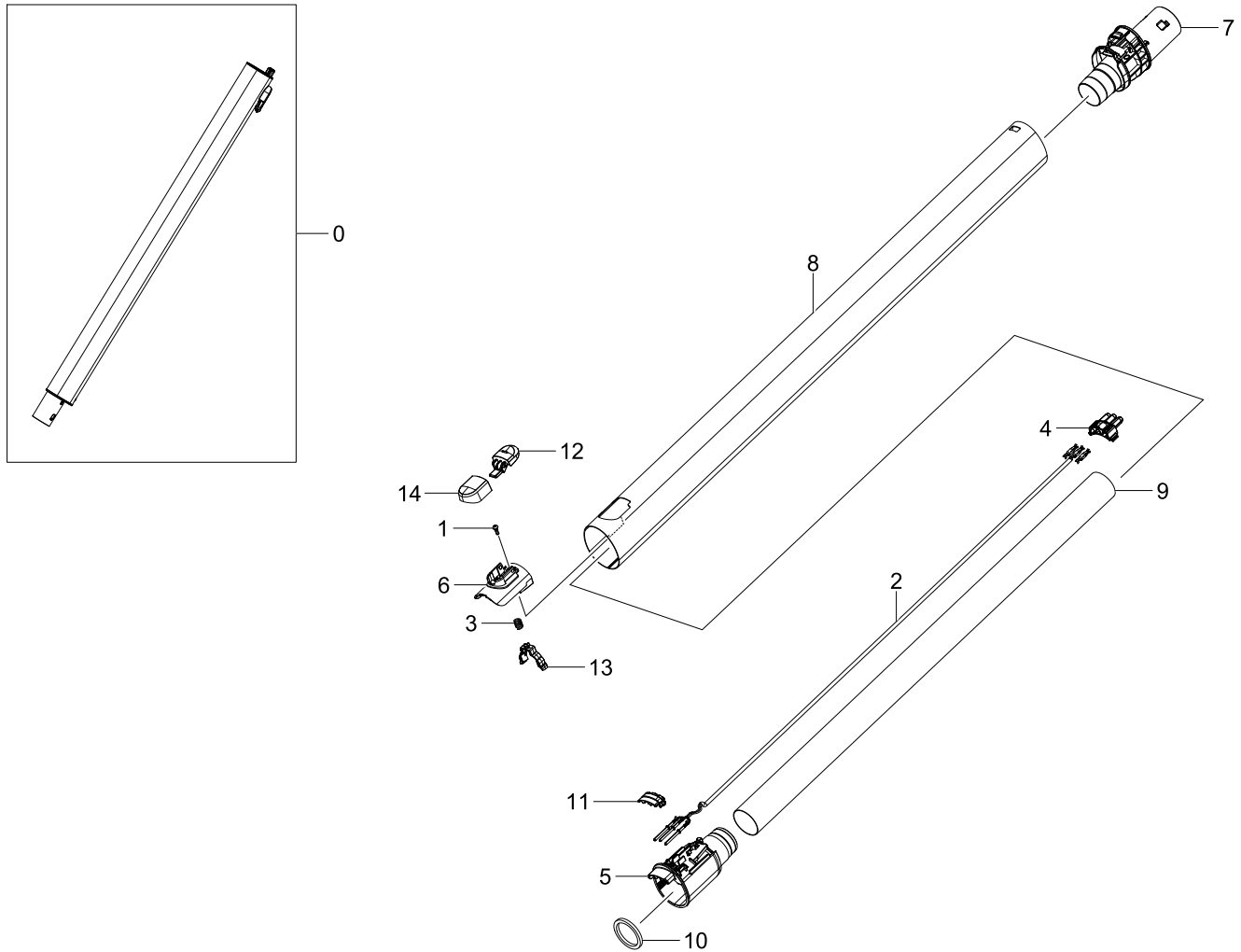
Parts List

No.	Lvl.	Loc.	Material Code	Description & Specification	SNA	Qty.
0	2		DJ97-02835S	ASSY CYCLONE; VS7500B,BLACK CHROMETAL SOL	SA	1
1	3		DJ97-02649B	ASSY FILTER; VS9000RL,MICRO,DEEP BLUE,SOF	SA	1
1-1	4		DJ61-02590A	HOLDER FILTER; VS9000NL,ABS,T1.2,L84.4,DE	SNA	1
1-2	4		DJ61-02591A	SUPPORT FILTER; VS9000NL,ABS,T1.2,HG-0760	SNA	1
1-3	4		DJ63-01671A	GASKET HOLDER; VS9000NL,TPV,TPV-45VSH-65A	SNA	1
1-4	4		DJ63-01678B	FILTER CYCLONE; VS9000RL,SOFT SKY BLUE,FI	SNA	1
2	3	RL005	DJ97-02829A	ASSY CASE; VS7000TL,GRAY TRP,No,0.8L	SA	1
2-1	4		DJ61-02753A	CASE CYCLONE; VS9000-Renewal,PC,T1.4,GRAY	SNA	1
2-2	4		DJ61-02594A	SPRING ETC COIL; VS9000RL,STS304,0.4mm,ID	SNA	2
2-3	4		DJ64-01362A	BUTTON CYCLONE-LEFT; VS9000RL,ABS,DARK CH	SNA	1
2-4	4		DJ64-01363A	BUTTON CYCLONE-RIGHT; VS9000RL,ABS,DARK C	SNA	1
3	3		DJ97-02837F	ASSY CYCLONE GRILLE; VS7500B,BLACK CHROME	SA	1
3-1	4	RV005	6003-000159	SCREW-TAPTYPE; SWRCH18A,ZPC(BLK),L10,M3,P	SA	4
3-2	4	RV005	6002-001262	SCREW-TAPTYPE; STS304,PASS,L8,M3,PH,+,B	SNA	4
3-3	4		DJ61-02761A	CASE CYCLONE-UP; VS9000RL,ABS,T1.4,BLACK,	SNA	1
3-4	4		DJ61-02765A	CASE CYCLONE-IN; VS9000RL,ABS,T1.2,BLACK,	SNA	1
3-5	4		DJ61-02762A	CASE CYCLONE-MIDDLE; VS9000RL,ABS,T1.2,BL	SNA	1
3-6	4		DJ61-02764A	CASE CYCLONE-LOW; VS9000RL,ABS,T1.4,BLACK	SNA	1
3-7	4		DJ61-02593A	SPRING ETC COIL; VS9000RL,STS304,0.6mm,ID	SA	1
3-8	4		DJ63-01762A	GASKET CYCLONE-MIDDLE; VS9000RL,EVA FOAM,	SNA	1
3-9	4		DJ63-01668A	GASKET CYCLONE-UP; VS9000RL,PVC,LF-G31,T1	SNA	1
3-10	4		DJ63-01761A	GASKET CYCLONE-IN; VS9000RL,EVA FOAM,T1.5	SNA	1
3-11	4		DJ63-01763A	GASKET ETC; VS9000RL,EVA FOAM,-,T2.5,W2.5	SNA	1
3-12	4		DJ63-01670A	GASKET CYCLONE; VS9000RL,TPV,TPV-45VSH-65	SNA	1
3-13	4		DJ64-01360K	DECORATION CYCLONE-UP; VS7500B,PC,-,BLACK	SNA	1
3-14	4		DJ64-01361K	BUTTON CYCLONE; VS7500B,PC,V-2,BLACK CHRO	SA	1
3-15	4		DJ64-01401A	GRILLE CYCLONE; VS9000RL,Al,-,-,-,-,CYC	SNA	1
3-16	4		DJ97-02838A	ASSY GUIDE AIR; VS9000RL,BLACK,CYCLONE RE	SNA	1

6. Assy Pipe

Assy Pipe

Exploded View



Parts List

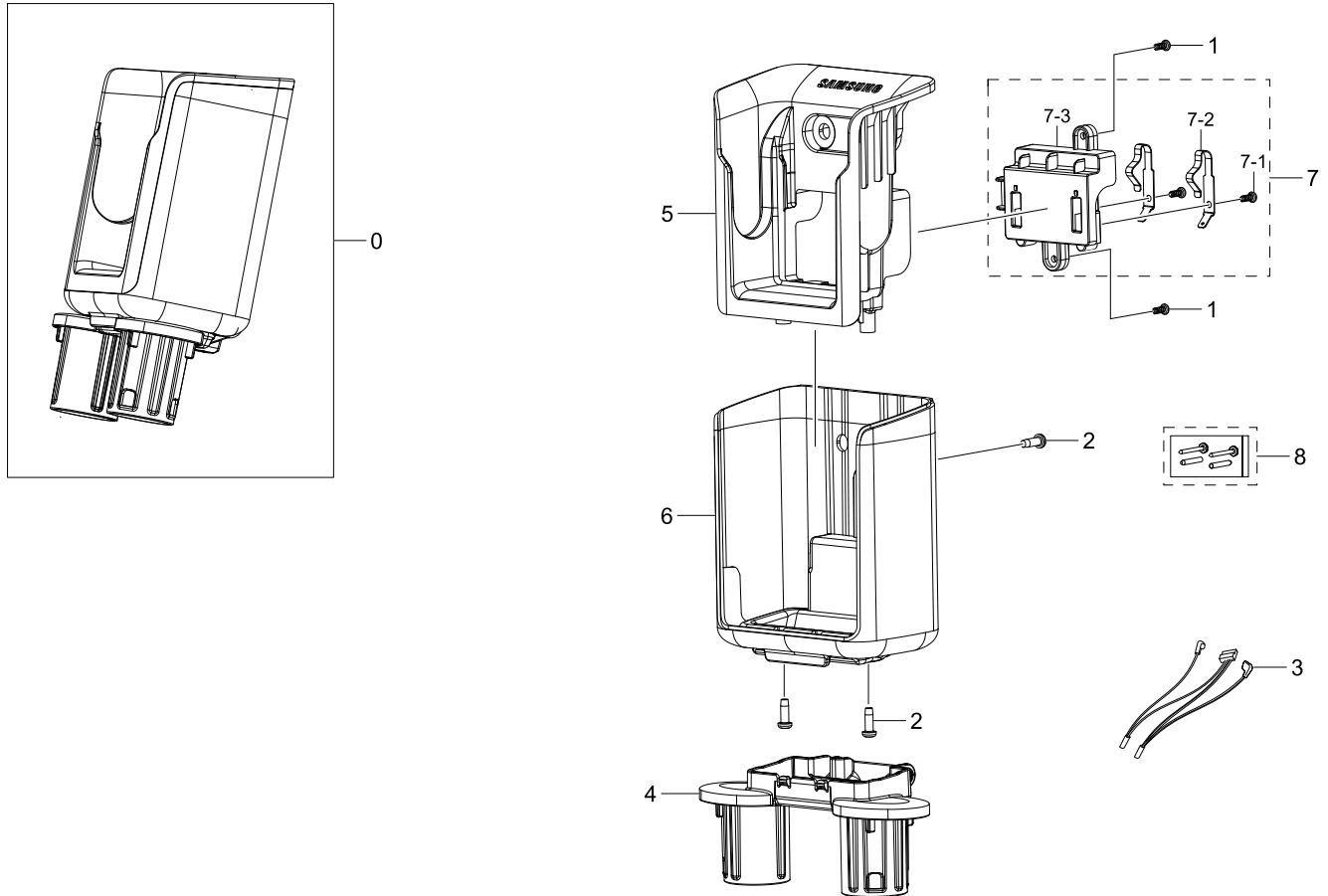
No.	Lvl.	Loc.	Material Code	Description & Specification	SNA	Qty.
0	2		DJ97-02823D	ASSY PIPE; VS7500,AL,BUCKLE,NOCTURNE BLAC	SA	1
1	3	RV005	6003-000167	SCREW-TAPTYPE; SWRCH18A,ZPC(BLK),L8,M3,PH	SNA	1
2	3		DJ39-00408A	WIRE HARNESS-TERMINAL; 3P,UL20549,#22,VS9	SA	1
3	3		DJ61-00584A	SPRING ETC-CAP; VC-MBM940,HSWR,CD0.7,OD7.	SA	1
4	3		DJ61-02555A	HOLDER TERMINAL; VS9000RL,PC,L25.5,EBONY	SA	1
5	3		DJ61-02746A	HOLDER PIPE; VS9000-Renewal,PC,L95,D40.2,	SNA	1
6	3		DJ61-02747A	HOLDER BUTTON; VS9000-Renewal,POM,L50.5,D	SNA	1
7	3		DJ62-00481A	PIPE CONNECTOR; VS7000TL,PC,-,-,L120,-,GR	SNA	1

No.	Lvl.	Loc.	Material Code	Description & Specification	SNA	Qty.
8	3		DJ62-00484C	PIPE OUTER; VS7500,Al,-,-,T0.7,-,NOCTURNE	SNA	1
9	3		DJ62-00485A	PIPE INNER; VS7000TL,PP,T0.6,BLACK,BLACK,	SNA	1
10	3		DJ63-01618A	GASKET ETC; VS8000ML,EPDM,-,-,BLACK,-,-,P	SNA	1
11	3	RA051	DJ63-01651A	COVER TERMINAL; VS9000NL,PC,V-0,EBONY BLA	SNA	1
12	3		DJ64-01348L	KNOB PIPE; VS9500AL,PC,-,BLACK CHROMETAL	SA	1
13	3		DJ66-00823A	LEVER RELEASE; VS9000NL,PC,-,3022R,GRAY T	SNA	1
14	3		DJ67-00828L	CAP KNOB; VS9500AL,PC,SA-1220,BLACK CHROM	SNA	1

7. Assy Charger

Assy Charger

Exploded View



Parts List

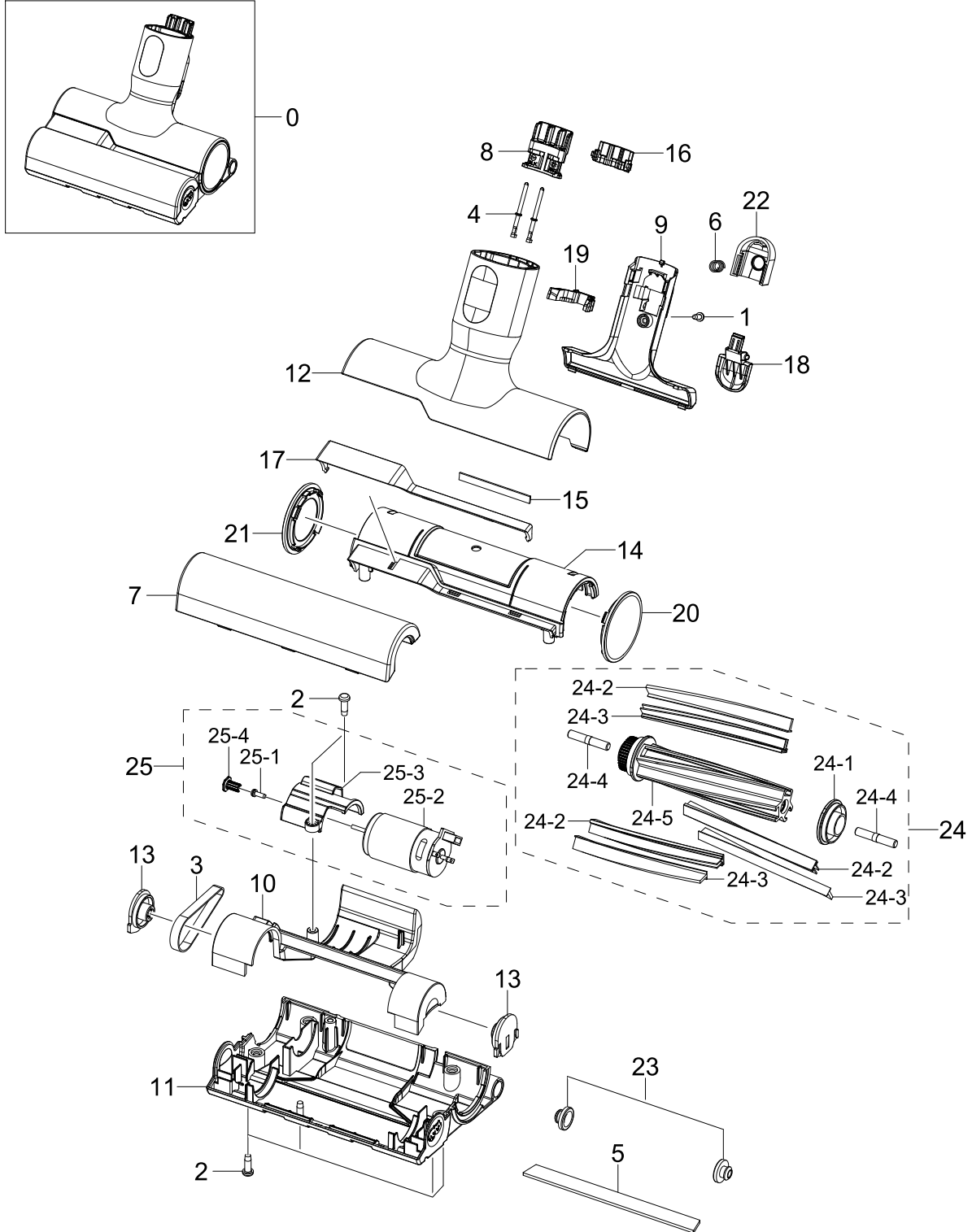
No.	Lvl.	Loc.	Material Code	Description & Specification	SNA	Qty.
0	2	RA014	DJ96-00231H	ASSY CHARGER; VS7500B,BLACK CHROMETAL SOL	SA	1
1	3	RV005	6003-000167	SCREW-TAPTYPE; SWRCH18A,ZPC(BLK),L8,M3,PH	SNA	2
2	3	RV005	6003-000170	SCREW-TAPTYPE; SWRCH18A,ZPC(WHT),L12,M4,P	SNA	3
3	3	RJ109	DJ39-00304A	WIRE HARNESS-POWER; 2P,DC JACK(DC-005C-1.	SA	1
4	3		DJ61-02751D	HOLDER ACCESSORY; JET 85,ABS,-,L,BLACK CH	SA	1
5	3		DJ61-02752C	BODY CHARGER; VS7500B,ABS,T2.3,BLACK CHRO	SA	1
6	3		DJ63-01751D	COVER CHARGER; VS6700B,ABS,-,HB,BLACK CHR	SNA	1
7	3		DJ97-02824C	ASSY HOLDER TERMINAL; VS7500B,BLACK CHROM	SNA	1
7-1	4	RV005	6003-000167	SCREW-TAPTYPE; SWRCH18A,ZPC(BLK),L8,M3,PH	SNA	2
7-2	4		DJ37-00019A	TERMINAL; VS9000RL,ASSY CHARGER HOLDER	SNA	2

No.	Lvl.	Loc.	Material Code	Description & Specification	SNA	Qty.
7-3	4		DJ61-02750C	HOLDER TERMINAL; VS7500B,PC,T2,L56.3,BLAC	SNA	1
8	3		DJ98-01138A	ASSY ACCESSORY; VS9000RL,WALL MOUNT SCREW	SA	1

8. Mini Turbo Pet Brush

Mini Turbo Pet Brush

Exploded View



Parts List

No.	Lvl.	Loc.	Material Code	Description & Specification	SNA	Qty.
0	2		DJ97-02812D	ASSY BRUSH; VS9500A,MINI TURBO PET,BLACK	SA	1
1	3	RV005	6002-000630	SCREW-TAPPING; SWRCH18A,ZPC(WHT),L8,M3,PH	SNA	1
2	3	RV005	6003-000170	SCREW-TAPTYPE; SWRCH18A,ZPC(WHT),L12,M4,P	SNA	6
3	3		6602-002831	BELT-TIMING GEAR; 2M-130-6,NBR,T1.36,BLK	SNA	1
4	3		DJ39-00384A	WIRE HARNESS-MOTOR; 2P,UL1007,#24,VCS,BLK	SNA	1
5	3		DJ60-00061A	SPACER BRUSH; MINI TURBO PET BRUSH,WOOL,L	SA	1
6	3		DJ61-00584A	SPRING ETC-CAP; VC-MBM940,HSWR,CD0.7,OD7.	SA	1
7	3		DJ61-02485A	CASE DRUM; VS8000ML,PC,GRAY TR-P,SR1000,M	SNA	1
8	3		DJ61-02551A	HOLDER TERMINAL; VS9000NL,PC,L30,EBONY BL	SNA	1
9	3		DJ61-02566E	HOLDER WIRE; VS9500,PC,L,BLACK CHROMETAL	SA	1
10	3		DJ61-02737A	GUIDE AIR; VS9200TL,ABS,Length,HG-0760GP,	SNA	1
11	3		DJ61-02738A	BODY BRUSH; VS9200TL,PC,BLACK,MINI TURBO	SNA	1
12	3		DJ62-00461E	PIPE CONNECTOR; VS9500,PC,BLACK CHROMETAL	SNA	1
13	3		DJ63-00604A	COVER-DRUM; UPRIGHT,POM,-,BISSELL,-,BLACK	SA	2
14	3		DJ63-01605F	COVER BRUSH; VS9500,ABS,BLACK CHROMETAL S	SNA	1
15	3		DJ63-01628A	GASKET ETC; VS8000ML,EVA FOAM,-,W5,L52,	SNA	1
16	3	RA051	DJ63-01651A	COVER TERMINAL; VS9000NL,PC,V-0,EBONY BLA	SNA	1
17	3		DJ64-01331C	DECORATION COVER; VS9200TL,PET TOOL,ABS,-	SNA	1
18	3		DJ64-01348L	KNOB PIPE; VS9500AL,PC,-,BLACK CHROMETAL	SA	1
19	3		DJ66-00823A	LEVER RELEASE; VS9000NL,PC,-,3022R,GRAY T	SNA	1
20	3		DJ67-00807F	CAP BODY; VS9500,ABS,HG-0760GP,BLACK CHRO	SNA	1
21	3		DJ67-00808F	CAP AIR; VS9500,ABS,HG-0760GP,BLACK CHROM	SNA	1
22	3		DJ67-00828L	CAP KNOB; VS9500AL,PC,SA-1220,BLACK CHROM	SNA	1
23	3		DJ67-00865A	CAP ETC; VS9200TL,NBR,BLACK	SNA	2
24	3		DJ97-02813A	ASSY DRUM BRUSH; VS9200TL,L126.4,YELLOW H	SA	1
24-1	4		DJ61-02749A	HOLDER-DRUM; VS9200TL,PP+TD30%,L5,YELLOW	SNA	1
24-2	4		DJ62-00513A	NOZZLE DRUM; VS9500AL,HNBR,-,-,GRAY,-,-	SNA	3
24-3	4		DJ62-00482A	NOZZLE BRUSH; MINI TURBO PET BRUSH,PA6,T0	SNA	3

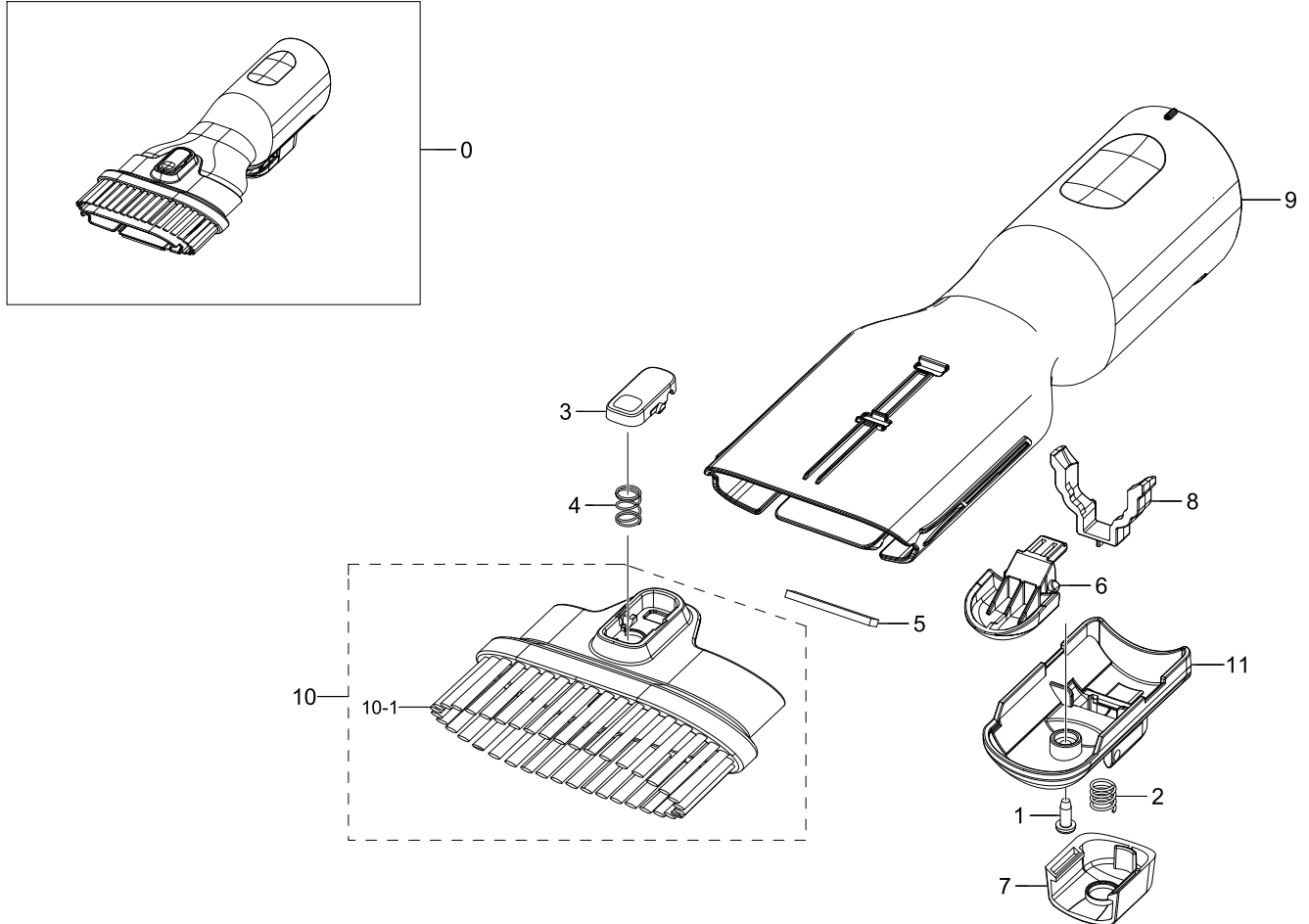
Exploded Views and Parts List

No.	Lvl.	Loc.	Material Code	Description & Specification	SNA	Qty.
24-4	4		DJ66-00206B	SHAFT DRUM; UPRIGHT,SM20C,L29,OD4.95,NATU	SNA	2
24-5	4		DJ66-00863A	DRUM BRUSH; VS9200TL,PP+TD30%,-,CT453S,YE	SNA	1
25	3		DJ94-00891A	ASSY MOTOR PARTS; VS9000RL,RS390,MINI BRU	SNA	1
25-1	4	RV005	6001-003497	SCREW-MACHINE; SWRCH18A,ZPC(WHT),L8,M2.6,	SNA	1
25-2	4	RJ077	DJ31-00148C	MOTOR DC; 7038rpm,18.0V,0.70A,20.7W	SNA	1
25-3	4		DJ61-02498A	HOLDER MOTOR; VS8000ML,ABS,-,L42,EBONY BL	SNA	1
25-4	4		DJ66-00801A	PULLEY TURBINE; VS8000ML,SMF5030,-,-,-,ME	SNA	1

9. Combination Tool

Combination Tool

Exploded View



Parts List

No.	Lvl.	Loc.	Material Code	Description & Specification	SNA	Qty.
0	3	RA002	DJ98-01269A	ASSY ACCESSORY DUSTING; VS9500AL,Mini DUS	SA	1
1	4	RV005	6002-000630	SCREW-TAPPING; SWRCH18A,ZPC(WHT),L8,M3,PH	SNA	1
2	4		DJ61-00584A	SPRING ETC-CAP; VC-MBM940,HSWR,CD0.7,OD7.	SA	1
3	4		DJ64-01333F	BUTTON PUSH; VS9500AL,PC,BLACK CHROMETAL	SNA	1
4	4		DJ61-02508A	SPRING ETC COIL; VS8000ML,HSWR,CD0.5,ID6.	SA	1
5	4		DJ60-00057A	SPACER BRUSH; VS9000RL,WOOL,L26.5,T2,W5,R	SNA	1
6	4		DJ64-01348L	KNOB PIPE; VS9500AL,PC,-,BLACK CHROMETAL	SA	1
7	4		DJ67-00828L	CAP KNOB; VS9500AL,PC,SA-1220,BLACK CHROM	SNA	1
8	4		DJ66-00823A	LEVER RELEASE; VS9000NL,PC,-,3022R,GRAY T	SNA	1
9	4		DJ62-00518A	PIPE CONNECTOR; VS9500AL,ABS,ID35.1,-,L19	SNA	1

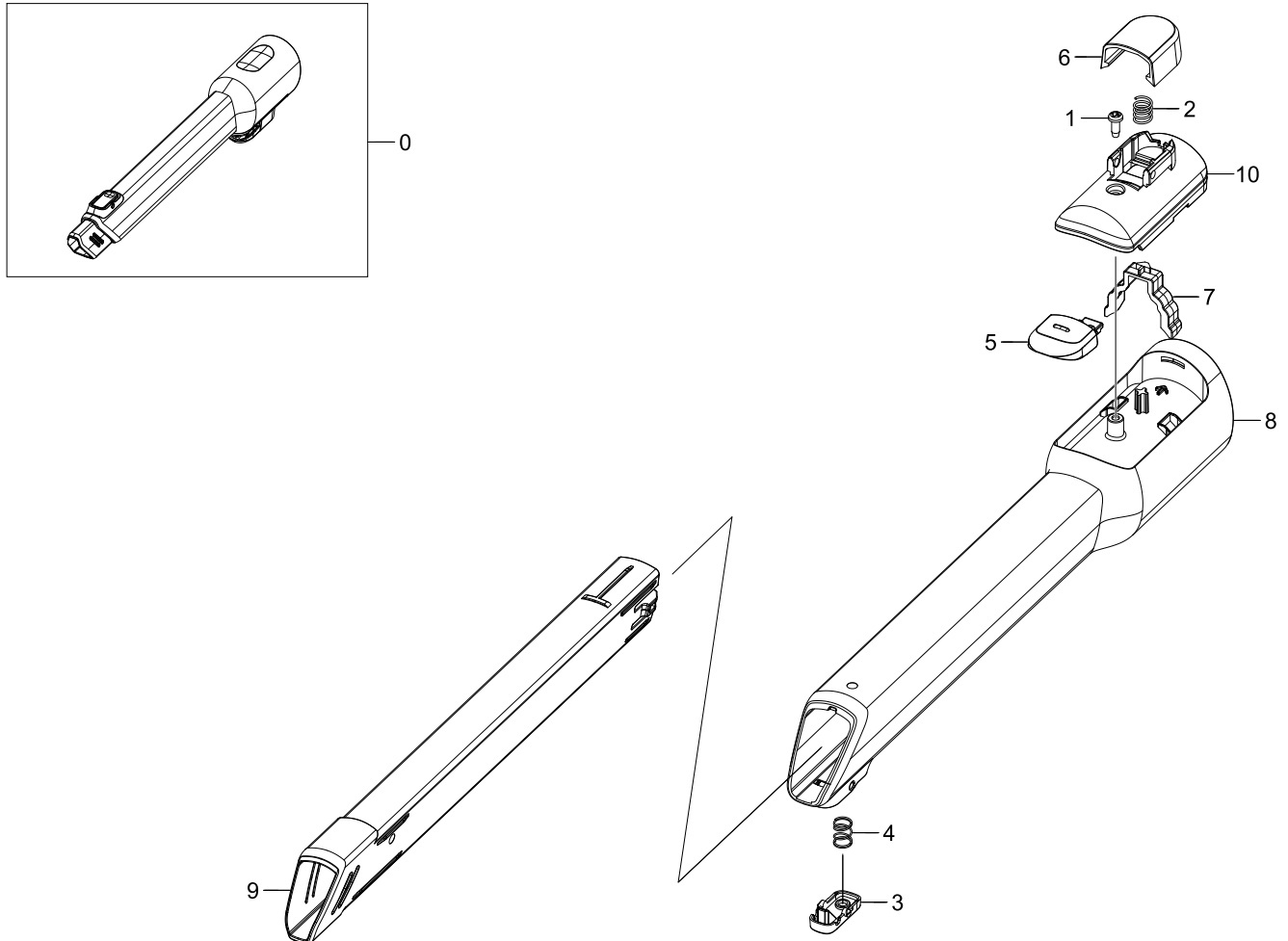
Exploded Views and Parts List

No.	Lvl.	Loc.	Material Code	Description & Specification	SNA	Qty.
10	4	RA036	DJ67-00917A	BRUSH DUSTING; VS9500AL,ABS,HG-0760GP,BLA	SNA	1
10-1	5		DJ62-00371H	NOZZLE BRUSH; VS9000RL,PA66+GF30%,T0.15,-	SNA	5
11	4		DJ63-01644E	COVER HOLDER; VS9500AL,ABS,W33.6,L64.4,HB	SA	1

10.Crevice Tool

Crevice Tool

Exploded View



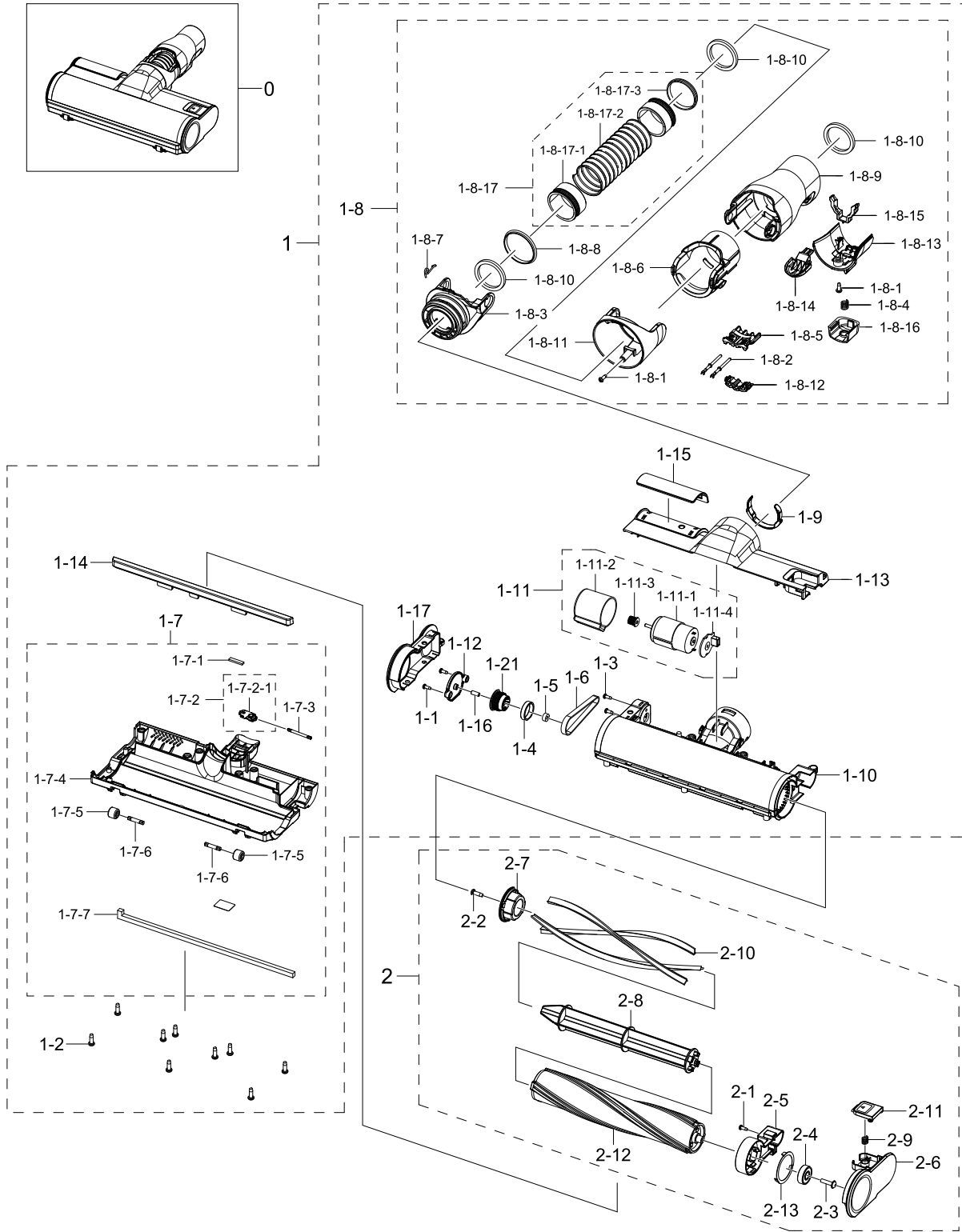
Parts List

No.	Lvl.	Loc.	Material Code	Description & Specification	SNA	Qty.
0	3	RA001	DJ98-01130H	ASSY ACCESSORY CREVICE; VS9500AL,CREVICE,	SA	1
1	4	RV005	6002-000630	SCREW-TAPPING; SWRCH18A,ZPC(WHT),L8,M3,PH	SNA	1
2	4		DJ61-00584A	SPRING ETC-CAP; VC-MBM940,HSWR,CD0.7,OD7.	SA	1
3	4		DJ64-01333F	BUTTON PUSH; VS9500AL,PC,BLACK CHROMETAL	SNA	1
4	4		DJ61-02508A	SPRING ETC COIL; VS8000ML,HSWR,CD0.5,ID6.	SA	1
5	4		DJ64-01348L	KNOB PIPE; VS9500AL,PC,-,BLACK CHROMETAL	SA	1
6	4		DJ67-00828L	CAP KNOB; VS9500AL,PC,SA-1220,BLACK CHROM	SNA	1
7	4		DJ66-00823A	LEVER RELEASE; VS9000NL,PC,-,3022R,GRAY T	SNA	1
8	4		DJ62-00455E	PIPE CONNECTOR; VS9500AL,ABS,ID35.1,L276,	SNA	1
9	4	RA078	DJ62-00456D	PIPE CREVICE; VS9500AL,ABS,L241.8,BLACK C	SA	1
10	4		DJ63-01644E	COVER HOLDER; VS9500AL,ABS,W33.6,L64.4,HB	SA	1

11. Carpet Brush

Carpet Brush

Exploded View



Parts List

No.	Lvl.	Loc.	Material Code	Description & Specification	SNA	Qty.
0	2		DJ97-02635M	ASSY BRUSH; VS9000RL,TURBO ACTION BRUSH,B	SA	1
1	3		DJ97-02852F	ASSY BODY BRUSH; VS7500B,BLK CHROMETAL SO	SA	1
1-1	4	RV005	6002-000630	SCREW-TAPPING; SWRCH18A,ZPC(WHT),L8,M3,PH	SNA	2
1-2	4	RV005	6003-000170	SCREW-TAPTYPE; SWRCH18A,ZPC(WHT),L12,M4,P	SNA	9
1-3	4	RV005	6006-000130	SCREW-MACHINE; SWRCH18A,ZPC(WHT),L8,M3,PH	SNA	2
1-4	4		6601-003318	BEARING OILLESS; SBF4118,L5.1,OD22.2,ID18	SNA	1
1-5	4		6601-003453	BEARING BALL; 684ZZMC3,ID4,OD9,L4,STB2,68	SNA	1
1-6	4		6602-003994	BELT-TIMING GEAR; 2M-170-6,NBR,T1.38,W6,L	SNA	1
1-7	4		DJ97-03394F	ASSY BASE BRUSH; VS7000TL,AIRBORNE,TURBO	SA	1
1-7-1	5		DJ60-00040A	SPACER BRUSH; VS6000KL,WOOL,L18,-,T2,W4	SA	3
1-7-2	5		DJ66-00895A	ROLLER-OUT; VS9500AL,PVC,OD15,NPA1075SG,	SA	1
1-7-2-1	6		DJ66-00894A	ROLLER-IN; VS9500AL,POM,NATURAL,ID3.2	SA	1
1-7-3	5		DJ68-00903A	LABEL RATING; VS7500BL,YUPO,W20.5,L15,TAB	SNA	1
1-7-4	5		DJ61-02539B	BODY BRUSH; VS9000RL,PC,BLACK,TURBO ACTIO	SA	1
1-7-5	5		DJ66-00806A	ROLLER; VS9000RL,NBR,OD12,DARK CHROMETAL,	SA	2
1-7-6	5		DJ66-00836A	SHAFT ROLLER; VS9000RL,MSWR,L20.4,OD3.9,D	SA	2
1-7-7	5		DJ60-00050A	SPACER BRUSH; VS8000ML,WOOL,L245,W5,80K,	SA	1
1-8	4		DJ97-02661D	ASSY PIPE C/BRUSH; VS9000RL,PC,DOM,L148.3	SNA	1
1-8-1	5	RV005	6002-000630	SCREW-TAPPING; SWRCH18A,ZPC(WHT),L8,M3,PH	SNA	2
1-8-2	5		DJ39-00285A	WIRE HARNESS-MOTOR; 2P,BRUSH(TURBO ACTION	SNA	1
1-8-3	5		DJ60-00073A	CONNECTOR BRUSH; PC,VS9500,BLACK CHROMETA	SNA	1
1-8-4	5		DJ61-00584A	SPRING ETC-CAP; VC-MBM940,HSWR,CD0.7,OD7.	SA	1
1-8-5	5		DJ61-02551A	HOLDER TERMINAL; VS9000NL,PC,L30,EBONY BL	SNA	1
1-8-6	5		DJ61-02565F	HOLDER ETC; VS9500AL,PC,L76.3,BLACK CHROM	SNA	1
1-8-7	5		DJ61-02592A	SPRING ETC; VS9000RL,HSWR,1.2mm,ID3.2,OD5	SNA	1
1-8-8	5		DJ62-00300A	SEAL-C/PIPE; NB-810,NBR,T0.6,HARDNESS 60	SNA	1
1-8-9	5		DJ62-00460F	PIPE CONNECTOR; VS9500AL,PC,BLACK CHROMET	SNA	1
1-8-10	5		DJ63-01618A	GASKET ETC; VS8000ML,EPDM,-,-,BLACK,-,-,P	SNA	2

Exploded Views and Parts List

No.	Lvl.	Loc.	Material Code	Description & Specification	SNA	Qty.
1-8-11	5		DJ63-01635J	COVER CONNECTOR; VS9500AL,PC,BLACK CHROME	SNA	1
1-8-12	5	RA051	DJ63-01651A	COVER TERMINAL; VS9000NL,PC,V-0,EBONY BLA	SNA	1
1-8-13	5		DJ63-01662F	COVER HOLDER; VS9500AL,PC,BLACK CHROMETAL	SNA	1
1-8-14	5		DJ64-01348L	KNOB PIPE; VS9500AL,PC,-,BLACK CHROMETAL	SA	1
1-8-15	5		DJ66-00823A	LEVER RELEASE; VS9000NL,PC,-,3022R,GRAY T	SNA	1
1-8-16	5		DJ67-00828L	CAP KNOB; VS9500AL,PC,SA-1220,BLACK CHROM	SNA	1
1-8-17	5	RL018	DJ97-02639A	ASSY HOSE; VS9000RL,GRAY,L110,DOM,SOFT, T	SNA	1
1-8-17-1	6		DJ60-00056A	CONNECTOR HOSE; PP,VS9000RL,BLACK,-,-,-,S	SNA	2
1-8-17-2	6	RL101	DJ67-00838A	HOSE WIRE; VS9000NL,TPU,ID31,OD34.8,-,L97	SNA	1
1-8-17-3	6		DJ73-20100A	SEAL-PIPE; VC-8500,NBR	SA	1
1-9	4		DJ61-02533A	GUIDE KEY; VS8000ML,POM,L38.4,K300,NATURA	SNA	1
1-10	4		DJ61-02538A	CASE DRUM; VS8000ML,PC,-,GRAY TR-P,-,3022	SNA	1
1-11	4		DJ94-00889A	ASSY MOTOR PARTS; VS9000RL,RS445,TURBO AC	SNA	1
1-11-1	5	RJ077	DJ31-00168A	MOTOR DC; RS445-ST-2670,7652rpm,18.0V,1.1	SNA	1
1-11-2	5		DJ63-01602A	CUSHION MOTOR; VS8000M,TPEE,T1.2,W37,L36.	SNA	1
1-11-3	5		DJ66-00832A	PULLEY TURBINE; VS9000RL,SMF5030,-,-,-,Ty	SNA	1
1-11-4	5		DJ92-00184A	ASSY MODULE; HW,BRUSH MOTOR,VS9000RL,GREE	SNA	1
1-12	4		DJ63-01604A	COVER GEAR BOX; VS8000ML,PC,V-2,BLACK,302	SNA	1
1-13	4		DJ63-01639E	COVER BRUSH; VS7500B,ABS,-,HB,BLACK CHROM	SNA	1
1-14	4		DJ63-01640A	BAND BRUSH; VS8000ML,TPEE,BLACK,-,5252SP,	SNA	1
1-15	4		DJ64-01330C	DECORATION COVER; VS8000ML,ABS,-,WARM SIL	SNA	1
1-16	4		DJ66-00549C	SHAFT ETC; VS8000ML,STS304,9.5,4.0,GEAR B	SNA	1
1-17	4		DJ67-00806F	CAP CASE; VS7500B,PC,-,V-2,3022R,BLACK CH	SNA	1
1-21	4		DJ66-00820A	PULLEY DRUM; VS8000ML,POM,NATURAL,K300	SNA	1
2	3		DJ97-02640F	ASSY DRUM BRUSH; VS7500B,L231.8,W SILVER	SA	1
2-1	4	RV005	6002-000630	SCREW-TAPPING; SWRCH18A,ZPC(WHT),L8,M3,PH	SNA	1
2-2	4	RV005	6003-000170	SCREW-TAPTYPE; SWRCH18A,ZPC(WHT),L12,M4,P	SNA	1
2-3	4	RV005	6003-001615	SCREW-TAPTYPE; SWRCH18A,ZPC(WHT),L16,M4,P	SNA	1
2-4	4		6601-002678	BEARING BALL; 608ZZ Z3V3,ID8,OD22,L7,ZZ (SA	1
2-5	4		DJ61-02481A	GUIDE DRUM; VS8000ML,ABS,HB,HG-0760GP,EBO	SNA	1
2-6	4		DJ61-02482F	HOLDER BUTTON; STICK,PC,-,L108.8,BLACK CH	SNA	1

No.	Lvl.	Loc.	Material Code	Description & Specification	SNA	Qty.
2-7	4		DJ61-02483A	HOLDER-DRUM; VS8000ML,PC,BLACK,V-2,3022R,	SNA	1
2-8	4		DJ61-02488A	GUIDE ETC; VS8000ML,ABS,-,L202.6,HB,GP-35	SNA	1
2-9	4		DJ61-70001P	SPRING ETC-PUSH; JAZZ-PJT,STS304,0.7mm,ID	SNA	1
2-10	4		DJ62-00430E	NOZZLE DRUM; VS9000RL,PA6+GF30%,T6.1,W5,L	SNA	3
2-11	4		DJ64-01328E	BUTTON BRUSH; VS9500AL,PC,BLACK CHROMETAL	SNA	1
2-12	4		DJ66-00799B	DRUM BRUSH; VS9000RL,ABS,-,LU637,WARM SIL	SNA	1
2-13	4		DJ67-00840A	CAP ETC; VS9000RL,STS430J1L,T0.4,W38.65,L	SNA	1