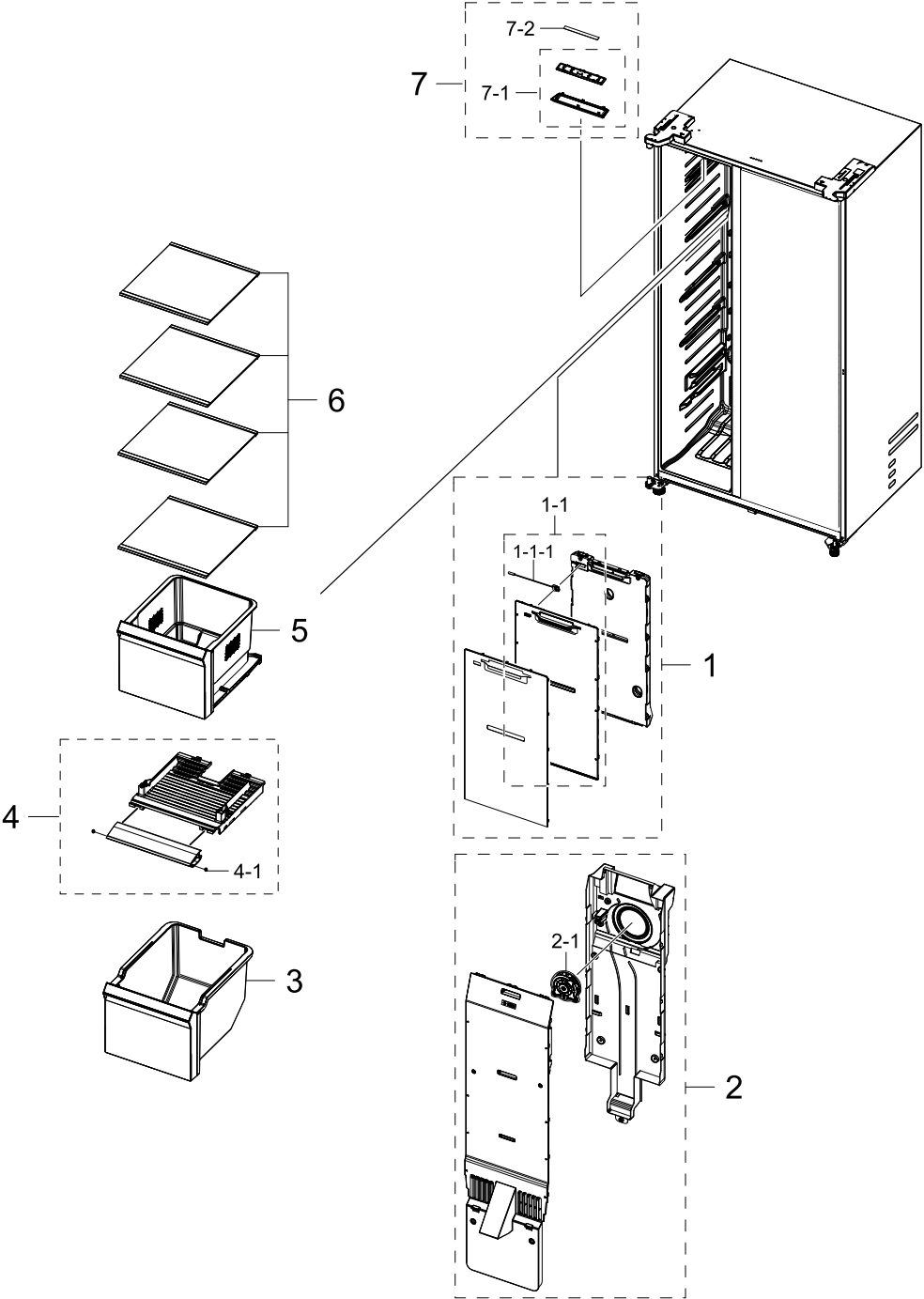


1. FREEZER

FREEZER

Exploded View



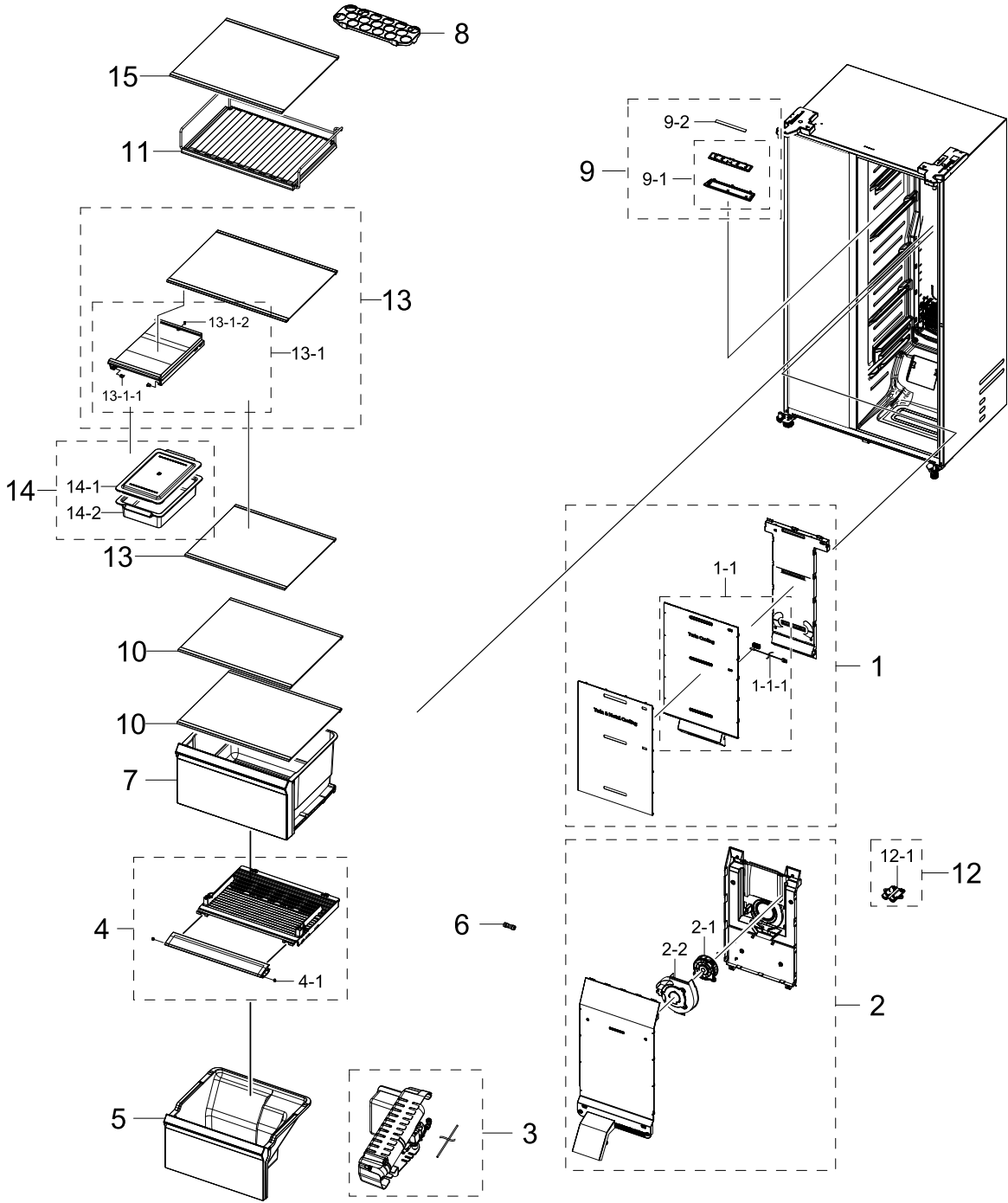
Parts List

| No. | Lvl. | Loc. | Material Code | Description & Specification | SNA | Qty. |
|-------|------|-------|---------------|---|-----|------|
| 1 | 2 | M0304 | DA97-21679A | ASSY COVER MULTI-FRE; RS8000 Relaunch | SA | 1 |
| 1-1 | 3 | M0240 | DA97-21678A | ASSY COVER MULTI-FRE FRONT; RS8000 Relaunch | SNA | 1 |
| 1-1-1 | 4 | A1018 | DA32-00070C | SENSOR TEMP; SC41200-021A,L250,13.2kohm,2 | SA | 1 |
| 2 | 2 | M0303 | DA97-21681A | ASSY COVER EVAP-FRE; RS8000 Relaunch | SA | 1 |
| 2-1 | 3 | | DA31-00334D | MOTOR BLDC FAN; 12035GE-12M-YT,1775°7%,1 | SA | 1 |
| 3 | 2 | A1186 | DA97-19211C | ASSY CASE BASKET-LOW; RS8000AC,TP GRAY,No | SA | 1 |
| 4 | 2 | | DA97-19217C | ASSY COVER SLIDE; RS8000AC,FRE, GPPS, TP | SA | 1 |
| 4-1 | 4 | | DA63-07113A | GROMMET-COVER SIDE; HM12,Si,-,-,- | SA | 2 |
| 5 | 2 | | DA97-19210C | ASSY CASE BASKET-UP; RS8000AC,TP GRAY,No | SA | 1 |
| 6 | 2 | | DA97-16364K | ASSY SHELF-FRE LOW; RS8000AC,LUMINOUS TRI | SA | 4 |
| 7 | 2 | | DA97-21569C | ASSY COVER LAMP; RS8000,WITH LAMP LED: DA | SNA | 1 |
| 7-1 | 3 | | DA97-21569A | ASSY COVER LAMP; RB7300T,COVER LAMP, ASSY | SA | 2 |
| 7-2 | 3 | | DA96-01119A | ASSY LAMP LED; 3EA,FR-4,150*12,WHITE,SMAW | SA | 1 |

2. FRIDGE

FRIDGE

Exploded View



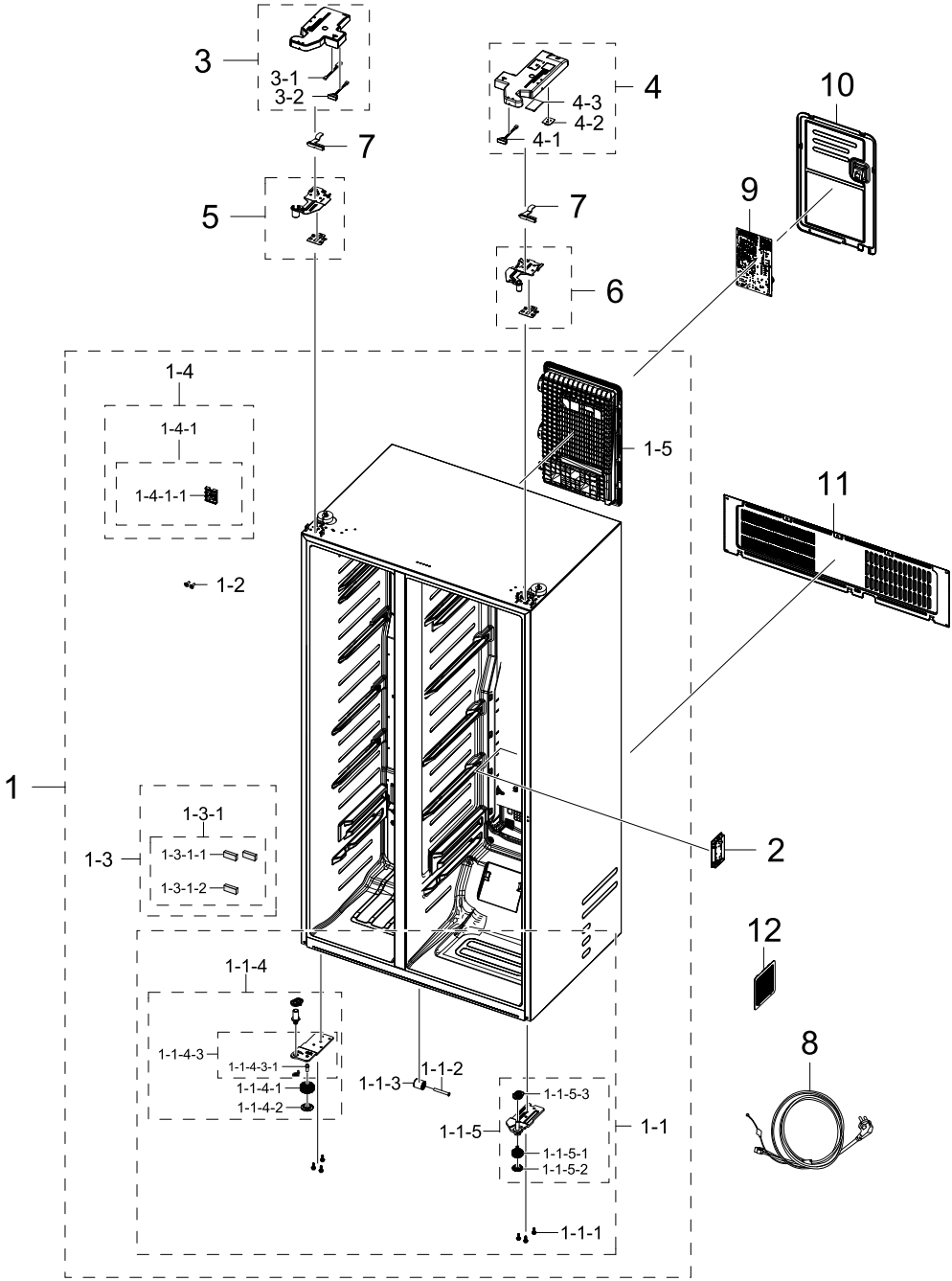
Parts List

| No. | Lvl. | Loc. | Material Code | Description & Specification | SNA | Qty. |
|--------|------|-------|---------------|--|-----|------|
| 1 | 2 | G0239 | DA97-19189C | ASSY COVER MULTI-REF; RS8000 Relaunch, Met | SA | 1 |
| 1-1 | 3 | G0239 | DA97-20247C | ASSY COVER MULTI-REF; RS8000NC, HIPS, T2.5, | SNA | 1 |
| 1-1-1 | 4 | A1018 | DA32-00070C | SENSOR TEMP; SC41200-021A, L250, 13.2kohm, 2 | SA | 1 |
| 2 | 2 | M0303 | DA97-19188A | ASSY COVER EVAP-REF COVER EVAP MODULE; RS | SA | 1 |
| 2-1 | 3 | | DA31-00334D | MOTOR BLDC FAN; 12035GE-12M-YT, 17757%, 1 | SA | 1 |
| 2-2 | 3 | | DA61-08437A | GUIDE AIR-REF; HM12, ABS, -, HB, HG-0760GP, EB | SA | 1 |
| 3 | 2 | | DA97-19116A | ASSY COVER WATER TANK; RS8000NC, 220V | SA | 1 |
| 4 | 2 | | DA97-19218C | ASSY COVER SLIDE; RS8000AC, REF, GPPS, TP | SA | 1 |
| 4-1 | 4 | | DA63-07113A | GROMMET-COVER SIDE; HM12, Si, -, -, - | SA | 2 |
| 5 | 2 | M0300 | DA97-19213C | ASSY CASE VEG-LOW; RS8000AC, TP GRAY, PLUM, | SA | 1 |
| 6 | 2 | T0093 | DA60-00258B | FITTING TUBE; PP, ID1/4, 1/4'- 1/4' | SA | 2 |
| 7 | 2 | | DA97-19214C | ASSY CASE VEG-UP; RS8000AC, TP GRAY, No Pri | SA | 1 |
| 8 | 2 | A0656 | DA67-40322A | TRAY EGG; SR-51.55.59, GPPS, TP BLUE | SA | 1 |
| 9 | 2 | | DA97-21569D | ASSY COVER LAMP; RS8000, WITH LAMP LED: DA | SNA | 1 |
| 9-1 | 3 | | DA97-21569A | ASSY COVER LAMP; RB7300T, COVER LAMP, ASSY | SA | 2 |
| 9-2 | 3 | | DA96-01119B | ASSY LAMP LED; 5, FR-4, 150*12, WHITE, SMAW25 | SA | 1 |
| 10 | 2 | | DA97-16363J | ASSY SHELF-REF LOW; RS8000AC, LUMINOUS TRI | SA | 2 |
| 11 | 2 | | DA97-21706A | ASSY SHELF WIRE; RS8000AC Re-Launch, TP BL | SA | 1 |
| 12 | 2 | | DA97-15662E | ASSY HOSE-REF; RS8000NC | SA | 1 |
| 12-1 | 3 | | DA63-04744A | COVER-CHECK VALVE; HM, PP, HB, INNER GRAY, CN | SA | 1 |
| 13 | 2 | | DA97-16362S | ASSY SHELF-REF UP; RS8000CC, LUMINOUS TRIM | SA | 1 |
| 13-1 | 3 | | DA97-24556A | ASSY RAIL; RS8000CC, TP GRAY | SA | 1 |
| 13-1-1 | 4 | | DA63-40305A | GROMMET-RAIL; CHILLED, PA6, INNER WHITE, -, 7 | SA | 4 |
| 13-1-2 | 4 | | DA63-07113A | GROMMET-COVER SIDE; HM12, Si, -, -, - | SA | 1 |
| 14 | 2 | | DA97-23449B | ASSY TRAY SUB; RR7000, TP GRAY | SNA | 1 |
| 14-1 | 3 | | DA63-08635C | TRAY-UP; RR7000, GPPS, -, -, TP GRAY, -, 147F | SA | 1 |
| 14-2 | 3 | A0974 | DA63-08634C | TRAY-REF; RR7000, GPPS, -, -, TP GRAY, -, 147F | SA | 1 |
| 15 | 2 | | DA97-16362K | ASSY SHELF-REF UP; RS8000AC, LUMINOUS TRIM | SA | 1 |

3. CABINET

CABINET

Exploded View



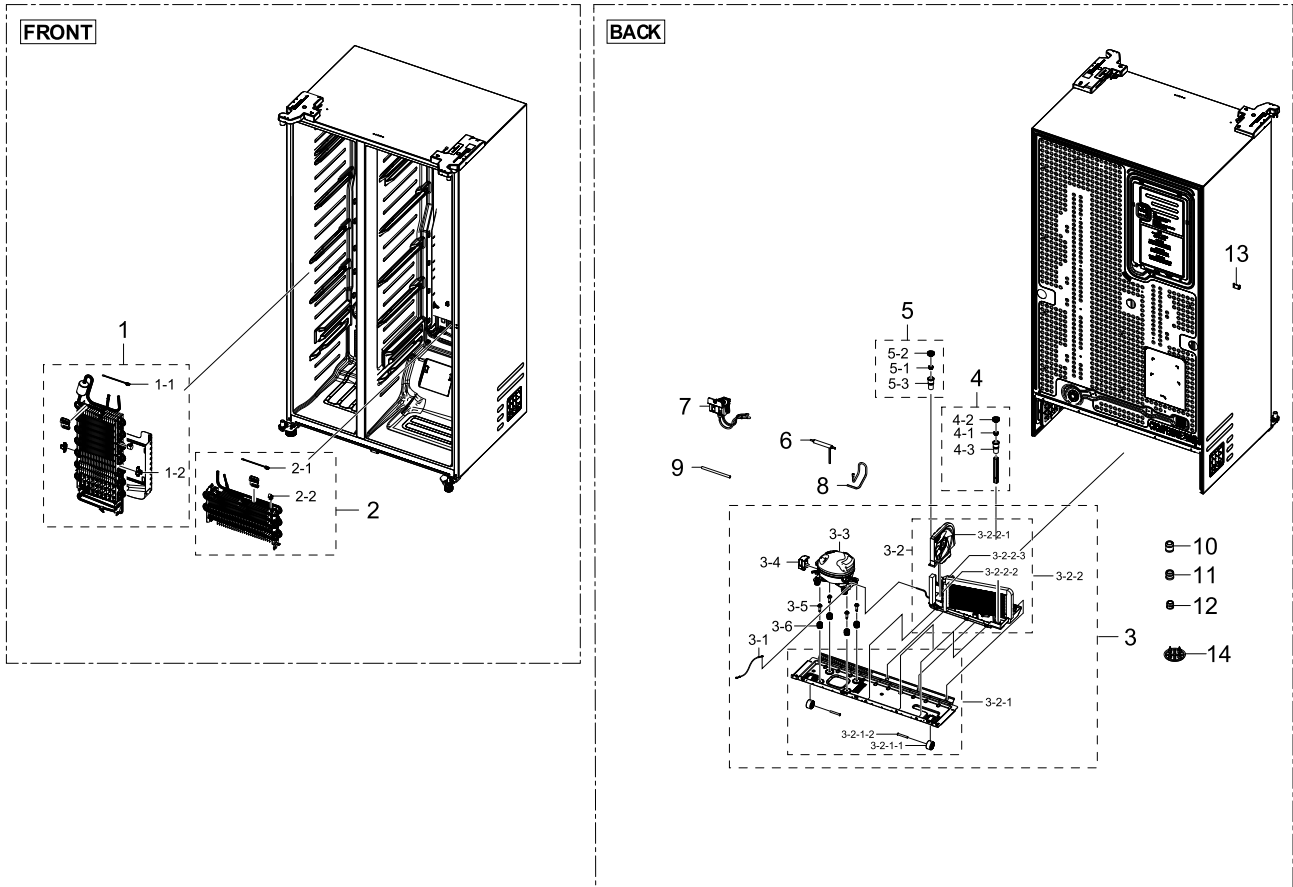
Parts List

| No. | Lvl. | Loc. | Material Code | Description & Specification | SNA | Qty. |
|-----------|------|-------|---------------|--|-----|------|
| 1 | 2 | | DA97-22142P | ASSY CABI FORM-CABI MODULE; RS8000CC,URBA | SNA | 1 |
| 1-1 | 3 | | DA97-19254A | ASSY CABI-BOTTOM; RS8000NC,PP SCRAP,SNOW | SNA | 1 |
| 1-1-1 | 4 | A0564 | DA60-10123C | BOLT-HEX; M6,L24,ZPC(WHT),HWH,SWRCH18A,HW | SA | 6 |
| 1-1-2 | 4 | M0146 | DA61-01920A | FIXER-CASTER; ZPC2,SWRCH10A,-,-,-,OD8.0 | SA | 1 |
| 1-1-3 | 4 | M0145 | DA61-04702A | CASTER-FRONT; AW-PJT,PP,BLACK | SA | 1 |
| 1-1-4 | 4 | | DA97-14046B | ASSY HINGE-LOW LEFT; FSR CD,DISPENSER | SA | 1 |
| 1-1-4-1 | 5 | A0577 | DA61-07972B | FOOT-FRONT; POLARIS,PP,BLACK,-,-,SSPP-640 | SA | 1 |
| 1-1-4-2 | 5 | A0863 | DA61-07973B | FOOT; POLARIS,PP,BLACK,-,-,SSPP-640,PP_S | SA | 1 |
| 1-1-4-3 | 5 | | DA61-09275B | HINGE-LOW LEFT; FSR CD,PO-SPHC,T5,-,-,-,- | SNA | 1 |
| 1-1-4-3-1 | 6 | A0517 | DA66-00793A | SHAFT-LEG FRONT; POLARIS,SWRCH10A,L27,-,B | SA | 1 |
| 1-1-5 | 4 | | DA97-19056A | ASSY HINGE-LOW RIGHT; RS8000NC,T7,2DOOR | SA | 1 |
| 1-1-5-1 | 5 | A0577 | DA61-09458A | FOOT-FRONT; RS8000CH,PP,BLACK,-,-,RM60 | SA | 1 |
| 1-1-5-2 | 5 | A0863 | DA61-09459A | FOOT; PP,I BLACK,-,BJ750 | SA | 1 |
| 1-1-5-3 | 5 | | DA66-00891A | CAM-HINGE RISER REF LOW; MONTES ALPHA,PA6 | SA | 1 |
| 1-2 | 3 | G0412 | 6002-001120 | SCREW-TAPPING; SWRCH18A,ZPC(WHT),L18,M4,F | SA | 2 |
| 1-3 | 3 | | DA97-21749B | ASSY PIPE SUCTION; RS8000NC F/L,A+++ , in- | SNA | 1 |
| 1-3-1 | 4 | | DA97-21749A | ASSY PIPE SUCTION; RS8000NC F/L,A+++ , OD7 | SNA | 1 |
| 1-3-1-1 | 5 | | DA62-01018A | SEAL CUTT-RUBBER; RR2500K,RUBBER,T5,W50,L | SA | 2 |
| 1-3-1-2 | 5 | | DA72-60040W | SEAL-CUTT RUBBER; TD-PJT,RUBBER,T5,W35,L3 | SA | 1 |
| 1-4 | 3 | | DA97-21717B | ASSY CABI-REAR; RS8000AC,PLUMBING, NO VIP | SNA | 1 |
| 1-4-1 | 4 | | DA97-21698D | ASSY CABI FRAME-REAR; RS8000A,LABEL, PLUM | SNA | 1 |
| 1-4-1-1 | 5 | | DA61-11296A | FIXER; AW3-14,HIPS,NATURAL,576H | SA | 1 |
| 1-5 | 4 | | DA61-14706A | CASE PBA; RS8000NC,PP,T2.5,BLACK,-,HFFR-1 | SA | 1 |
| 2 | 2 | A0626 | DA97-23190N | ASSY COVER CONTROL; RS5000C,AI Saving, PI | SA | 1 |
| 3 | 2 | | DA97-19247A | ASSY COVER HINGE-UP LEFT; RS8000NC,ABS,2. | SA | 1 |
| 3-1 | 3 | A1108 | DA32-00074A | SENSOR HUMIDITY; 5V,0~100%RH,REF | SA | 1 |
| 3-2 | 3 | | DA34-00043J | SWITCH REED; UL1007 AWG 22,50mm | SA | 1 |
| 4 | 2 | | DA97-21758E | ASSY COVER HINGE-UP RIGHT; RS8000CC,INOX | SA | 1 |
| 4-1 | 3 | | DA34-00043J | SWITCH REED; UL1007 AWG 22,50mm | SA | 1 |
| 4-2 | 3 | | DA92-00817A | ASSY MODULE; BUZZER PBA,RB6000K,Standard | SA | 1 |
| 4-3 | 3 | | 4709-003051 | W-LAN MODULE; CCAR210R,SDA8700CSM,IEEE802 | SA | 1 |
| 5 | 2 | | DA97-19227A | ASSY HINGE-UP LEFT; RS8000NC,BLK | SA | 1 |
| 6 | 2 | | DA97-19132A | ASSY HINGE-UP RIGHT; RS8000NC,BLK | SA | 1 |
| 7 | 2 | | DA61-04932B | FIXER-HINGE; RS76,RS78,PO-SPHC,T3,-,-,-,Z | SA | 2 |
| 8 | 2 | A0273 | 3903-001015 | POWER CORD-AT; H05VV-F 3x0.75mm2,BLK,EU3F | SA | 1 |
| 9 | 1 | | DA94-08843D | ASSY PCB EEPROM; 0xd6,D601,D603,D605,D607 | SA | 1 |
| 10 | 2 | | DA97-13181G | ASSY COVER PBA-MAIN; RS8000,T0.5 | SA | 1 |
| 11 | 2 | M0076 | DA97-19123A | ASSY COVER COMP; RS8000NC,GI-SGCC,T0.25 | SA | 1 |
| 12 | 2 | | DA63-08062A | COVER UNIT; BK,ABS,-,HB,INOX GRAY,-,HG-07 | SA | 1 |

4. CYCLE

CYCLE

Exploded View



Parts List

| No. | Lvl. | Loc. | Material Code | Description & Specification | SNA | Qty. |
|---------|------|-------|---------------|--|-----|------|
| 1 | 2 | A0163 | DA96-01316D | ASSY EVAP-FRE; RS8000NC F/L,FIN TUBE(GROO | SA | 1 |
| 1-1 | 3 | A1018 | DA32-00070Q | SENSOR TEMP; DOUBLE_INSULATION,L200,13.2k | SA | 1 |
| 1-2 | 3 | G0205 | DA61-04921B | FIXER-HEATER FRE; HERMES-PJT,PP,-,NATURAL | SA | 2 |
| 2 | 2 | A0184 | DA96-01318B | ASSY EVAP-REF; RS8000NC F/L,FIN TUBE(GROO | SA | 1 |
| 2-1 | 3 | A1018 | DA32-00070Q | SENSOR TEMP; DOUBLE_INSULATION,L200,13.2k | SA | 1 |
| 2-2 | 3 | | DA61-06013B | FIXER WIRE; AW3-PJT,PP,T2,NATURAL,-,BJ750 | SA | 1 |
| 3 | 2 | | DA97-22145E | ASSY COMP N CONDENSING; RS8000NC F/L,W908, | SNA | 1 |
| 3-1 | 3 | A0562 | DA39-20389L | ASSY WIRE HARNESS-EARTH; EARTH,ALL,FREE V | SA | 1 |
| 3-2 | 3 | | DA97-19448A | ASSY CHASSIS; RS8000NC | SNA | 1 |
| 3-2-1 | 4 | A0526 | DA97-19127A | ASSY CHASSIS COMP; RS8000NC,GI-SGCC,1.0 | SA | 1 |
| 3-2-1-1 | 5 | A0527 | DA61-04703A | CASTER-REAR; AW-PJT,PP,BLACK,M/B(0103-002 | SA | 2 |
| 3-2-1-2 | 5 | M0212 | DA66-00649B | SHAFT-CASTER; POLARIS,MSWR10,L44,OD11,-,- | SA | 2 |

| No. | Lvl. | Loc. | Material Code | Description & Specification | SNA | Qty. |
|---------|------|-------|---------------|--|-----|------|
| 3-2-2 | 4 | A0529 | DA97-19128A | ASSY TRAY DRAIN WATER; RS8000NC | SA | 1 |
| 3-2-2-1 | 5 | M0116 | DA97-20025B | ASSY SUPPORT-CIRCUIT MOTOR; RS5000RC,C160 | SA | 1 |
| 3-2-2-2 | 5 | | DA97-20131A | ASSY PIPE IMMERSING; RS8000NC,TSW,OD4.76, | SA | 1 |
| 3-2-2-3 | 5 | | DA97-20140A | ASSY PIPE IMMERSING; RS8000NC,TSW,OD4.76, | SA | 1 |
| 3-3 | 3 | | NO14C9151AKT | TEMP,COMP,REFRIGERATOR,R600A; CMP,COMP,REFRIGERATOR,R600A | | 1 |
| 3-4 | 3 | Z1032 | DA63-06122A | COVER RELAY; MSV,MPPE,T2,BLACK,N300X,V-0 | SA | 1 |
| 3-5 | 3 | A0564 | 6011-007289 | BOLT-HEX; M6,L43.6,ZPC(SILVER),HH,SOCKET, | SA | 4 |
| 3-6 | 3 | Z1112 | DA63-09336B | GROMMET COMP; REF,IIR,BLACK,-,L21.3, OD | SA | 4 |
| 4 | 2 | M0067 | DA97-04049D | ASSY CAP-DRAIN; AW,ASSY,-,L224.5,-,FIXE | SA | 1 |
| 4-1 | 3 | A0336 | DA61-05021A | FIXER-DRAIN; HAEMIL,PP,T0.6,CARMEN WINE,B | SA | 1 |
| 4-2 | 3 | | DA63-02761A | GROMMET-DRAIN; RS18RK,NBR,BLACK,- | SA | 1 |
| 4-3 | 3 | A0492 | DA67-01301A | CAP-DRAIN; AW4,HIPS,HB,576H,NATURAL | SA | 1 |
| 5 | 2 | | DA97-18856A | ASSY CAP DRAIN; RQ9500M | SA | 1 |
| 5-1 | 3 | A0336 | DA61-05021A | FIXER-DRAIN; HAEMIL,PP,T0.6,CARMEN WINE,B | SA | 1 |
| 5-2 | 3 | | DA63-02761A | GROMMET-DRAIN; RS18RK,NBR,BLACK,- | SA | 1 |
| 5-3 | 3 | A0492 | DA67-01301A | CAP-DRAIN; AW4,HIPS,HB,576H,NATURAL | SA | 1 |
| 6 | 2 | A0669 | DA62-04309A | DRYER; C1220T-H,L137,SINGLE MOUTH,OD15.8, | SA | 1 |
| 7 | 2 | | DA62-04678B | VALVE STEP; DC12V,MODULE,2WAY,RIGHT/RIGHT | SA | 1 |
| 8 | 2 | | DA62-05167A | PIPE CONNECT-SUCTION; RS8000NC,Cu,OD6.35, | SA | 1 |
| 9 | 2 | A0523 | DA73-10190U | PIPE-CONNECT DISC,B; ALL,C1220T,Cu,OD6.35 | SA | 1 |
| 10 | 2 | | DA60-00279A | FITTING LOCK RING; SUM23,-,SILVER,-,16, | SA | 1 |
| 11 | 2 | | DA60-00280A | FITTING-LOKRING 33; SUM23,ID3/16,33, 11SM | SA | 1 |
| 12 | 2 | | DA60-00281A | FITTING LOCK SLEEVE; SUM23,ID5.02,11SMnPb | SA | 1 |
| 13 | 2 | | DA61-12488A | FIXER COVER; AW3-14,HIPS,NATURAL,576H | SA | 1 |
| 14 | 2 | M0158 | DA63-09871A | COVER-URETHANE; RB7300T,PP,T2.5,5VA,BLACK | SA | 1 |

Parts List

| No. | Lvl. | Loc. | Material Code | Description & Specification | SNA | Qty. |
|-------------|------|-------|---------------|--|-----|------|
| 1 | 2 | | DA93-00955F | ASSY DOOR SUB-FRE DOOR MODULE; RS8000 F/L | SNA | 1 |
| 1-1 | 3 | M0063 | DA91-05447E | ASSY DOOR FOAM-FRE; RS8000NC,MATT DOI MET | SA | 1 |
| 1-1-1 | 4 | | DA97-21735E | ASSY PLATE DOOR-FRE; RS8000NC,8SERIES,REC | SNA | 1 |
| 1-1-1-1 | 5 | | DA97-19228M | ASSY CASE DISPENSER; RS8000NC,DARK GRAY,F | SNA | 1 |
| 1-1-1-1-1 | 6 | A0842 | 3405-001117 | SWITCH-MICRO; 125/250VAC,1A,80gf,SPST-NO | SA | 1 |
| 1-1-1-1-2 | 6 | G0407 | DA61-12998D | CASE DISPENSER; RS8000NC,ABS,T3,DARK GRAY | SNA | 1 |
| 1-1-1-1-3 | 6 | | DA97-19028A | ASSY CASE ICE ROUTE; RS8000NC,220V | SA | 1 |
| 1-1-1-1-3-1 | 7 | M0200 | DA31-00079A | MOTOR GEARED AC DISP; MVLA15AR11/MCFA182A | SA | 1 |
| 1-1-1-2 | 5 | A0047 | DA97-19263D | ASSY CAP DOOR-FRE LOW; RS8000NC,2DOOR, 3D | SNA | 1 |
| 1-1-1-2-1 | 6 | G0412 | 6002-000524 | SCREW-TAPPING; TH,+,2S,M4,L20,ZPC(WHT),SW | SA | 3 |
| 1-1-1-2-2 | 6 | | DA61-07527A | STOPPER-DOOR FRE LOW; POLARIS,PO-SPHC,T4, | SA | 1 |
| 1-1-1-2-3 | 6 | M0265 | DA66-00558B | CAM HINGE-RISER UPP L; POLARIS,PA66+GF15% | SA | 1 |
| 1-1-1-3 | 5 | | DA97-21732A | ASSY CAP DOOR-FRE UP; RS8000NC,INOX GRAY, | SNA | 1 |
| 1-1-1-3-1 | 6 | G0412 | 6002-001547 | SCREW-TAPPING; SWRCH18A,ZPC(WHT),L10,M4,F | SA | 1 |
| 1-1-1-3-2 | 6 | M0060 | DA63-04341A | COVER-CAP DOOR FRE; GUGGENHEIM,ABS,W61.3, | SA | 1 |
| 1-1-1-3-3 | 6 | | DA97-22139A | ASSY CAP DOOR-FRE UP; RS8000NC F/L,INOX G | SNA | 1 |
| 1-1-1-3-3-1 | 7 | | DA67-02795C | CAP-SHAFT HOLE; AW3,ABS,HG-0760GP,SNOW WH | SA | 1 |
| 1-2 | 3 | | DA97-19031J | ASSY COVER DISPENSER; RS8000 F/L,DARK GRA | SA | 1 |
| 1-2-1 | 4 | G0412 | 6002-000630 | SCREW-TAPPING; PH,+,2S,M3,L8,ZPC(WHT),SWR | SA | 7 |
| 1-3 | 3 | | DA97-21146A | ASSY LEVER DISPENSER; RS5300T,EBONY BLACK | SA | 1 |
| 1-4 | 3 | | DA97-19851G | ASSY GASKET-FRE; RS8000NC,L1642.5,W344.5, | SA | 1 |
| 2 | 2 | M0366 | DA63-09331C | GUARD-FRE UP; RS8000NC F/L,GPPS,T3.5,TP G | SA | 1 |
| 3 | 2 | | DA97-22143A | ASSY BUCKET N AUGER-BUCKET MODULE; RS8000 | SNA | 1 |
| 3-1 | 3 | A0105 | DA97-19033C | ASSY TRAY ICE; RS8000,INDOOR PP I/M | SA | 1 |
| 3-1-1 | 4 | G0412 | 6002-000473 | SCREW-TAPPING; STS304,PASS,L14,M4,TH,+,1 | SA | 5 |
| 3-1-2 | 4 | | DA64-05768A | WINDOW BUCKET; RS8000NC,PCTG,T4,W290,L175 | SA | 1 |
| 3-1-3 | 4 | | DA97-22941A | ASSY LEVER HANDLE; RS8000NC,COOL WHITE,LE | SNA | 1 |
| 3-1-3-1 | 5 | | DA66-00587A | LEVER-BUCKET L; GUGGENHEIM,ABS,-,W76.7,L1 | SC | 1 |

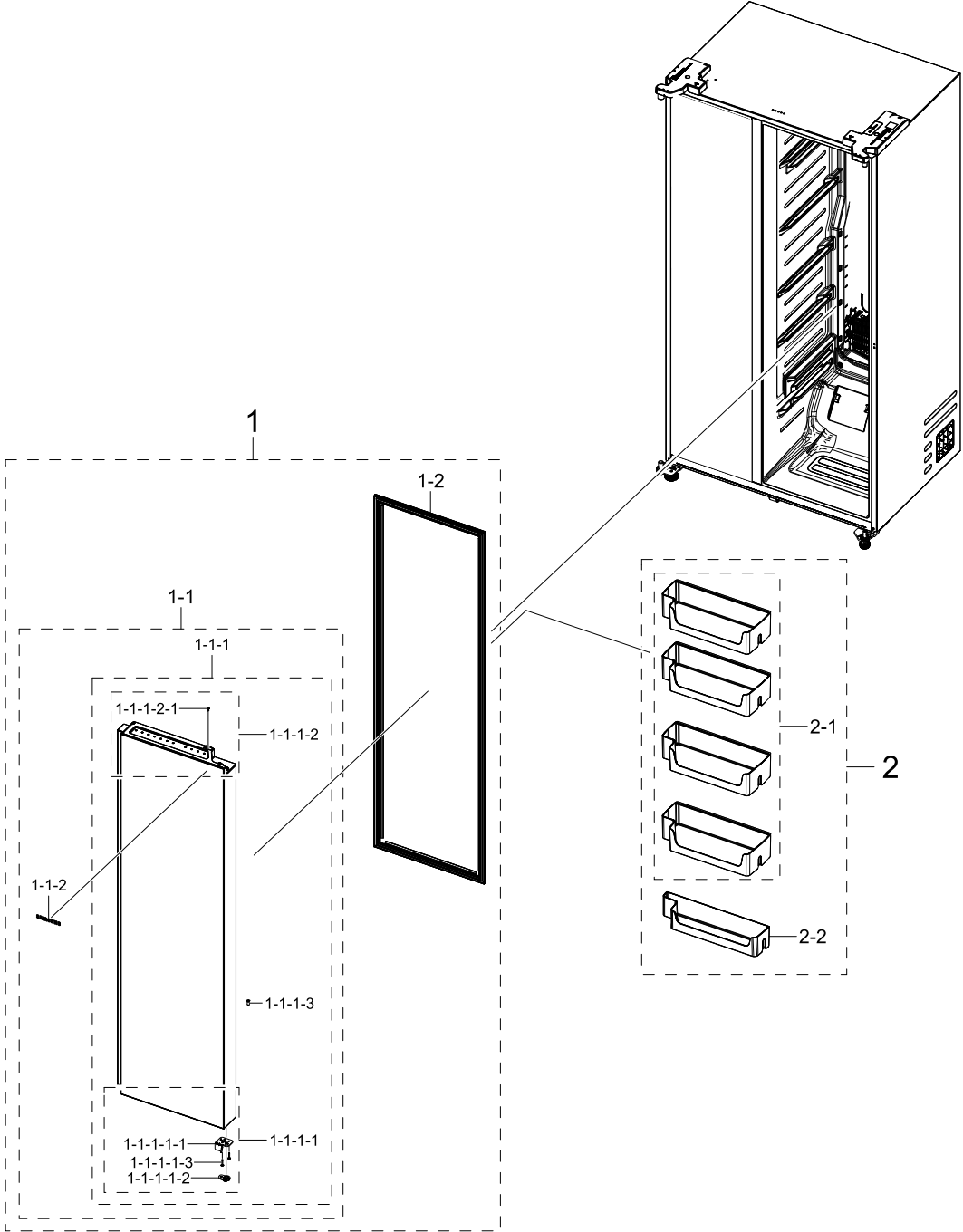
Exploded Views and Parts List

| No. | Lvl. | Loc. | Material Code | Description & Specification | SNA | Qty. |
|---------|------|-------|---------------|--|-----|------|
| 3-1-4 | 4 | | DA97-22938A | ASSY LEVER HANDLE; RS8000NC,COOL WHITE,LE | SNA | 1 |
| 3-1-4-1 | 5 | G0557 | DA66-00588A | LEVER-BUCKET R; GUGGENHEIM,ABS,-,W77.2,L7 | SA | 1 |
| 3-2 | 3 | M0299 | DA97-21751A | ASSY CASE AUGER MOTOR; RS8000,T2.5,COOL W | SA | 1 |
| 3-2-1 | 4 | | DA97-22937A | ASSY CASE SUB-UP; RS8000NC,T2.5,COOL WHIT | SNA | 1 |
| 3-2-1-1 | 5 | M0200 | DA31-00079A | MOTOR GEARED AC DISP; MVLA15AR11/MCFA182A | SA | 1 |
| 3-2-2 | 4 | | DA97-22936A | ASSY CASE SUB-LOW; RS8000NC,T2.5,COOL WHI | SNA | 1 |
| 3-2-2-1 | 5 | | DA63-05515A | COVER-MOTOR AUGER COIL; GGH,ABS,-,SNOW | SA | 1 |
| 3-2-2-2 | 5 | M0199 | DA31-00210E | MOTOR GEARED AC AUGER; ORG-450IP3,AC220-2 | SA | 1 |
| 3-2-3 | 4 | G0572 | DA97-11248A | ASSY-CAM LEVER CUBE; INDOOR | SA | 1 |
| 3-2-4 | 4 | | DA61-14393A | SUPPORT CASE AUGER; RS8000,HIPS,T2.5,576H | SA | 1 |
| 3-2-5 | 4 | | DA63-09324A | COVER CASE AUGER; RS8000NC,HIPS,T2.5,HB,N | SA | 1 |
| 3-2-6 | 4 | G0564 | DA97-00151B | SWITCH REED; UL1007 AWG 22,230,35151-0210 | SA | 1 |
| 3-3 | 3 | M0247 | DA97-21754A | ASSY ICE MAKER-MECH; RS8000,COOL WHITE | SA | 1 |
| 3-3-1 | 4 | | DA61-14395A | SUPPORT CASE AUGER-LEFT; RS8000,ABS,T2.5, | SA | 1 |
| 3-3-2 | 4 | A0104 | DA97-19010A | ASSY ICE MAKER; RS6500KC,12V,INDOOR | SA | 1 |
| 4 | 2 | M0365 | DA63-09332C | GUARD-FRE LOW; RS8000NC F/L,GPPS,T3.5,TP | SA | 1 |
| 5 | 2 | | DA63-11186A | COVER ICE-FRE; RS8000AC,HIPS,T2.5,COOL WH | SA | 1 |

6. DOOR REF

DOOR REF

Exploded View



Parts List

| No. | Lvl. | Loc. | Material Code | Description & Specification | SNA | Qty. |
|-----------|------|-------|---------------|---|-----|------|
| 1 | 2 | | DA93-00954B | ASSY DOOR SUB-REF DOOR MODULE; RS8000 F/L | SNA | 1 |
| 1-1 | 3 | Z1100 | DA91-05450A | ASSY DOOR FOAM-REF; RS8000NC,8SERIES, DEC | SA | 1 |
| 1-1-1 | 4 | | DA97-21739A | ASSY PLATE DOOR-REF; RS8000NC,8SERIES,LON | SNA | 1 |
| 1-1-1-1 | 5 | A0048 | DA97-19771A | ASSY CAP DOOR-REF LOW; RS8000NC,BLACK,2DO | SNA | 1 |
| 1-1-1-1-1 | 6 | A1017 | DA61-07526A | STOPPER DOOR-REF LOW; POLARIS,PO-SPHC,T4, | SA | 1 |
| 1-1-1-1-2 | 6 | G0554 | DA66-00557A | CAM HINGE-RISER UPP R; GUGGENHEIM,PA66+GF | SA | 1 |
| 1-1-1-1-3 | 6 | G0412 | 6002-000524 | SCREW-TAPPING; TH,+,2S,M4,L20,ZPC(WHT),SW | SA | 3 |
| 1-1-1-2 | 5 | | DA97-21731A | ASSY CAP DOOR-REF UP; RS8000NC,INOX GRAY, | SNA | 1 |
| 1-1-1-2-1 | 6 | | DA67-02795C | CAP-SHAFT HOLE; AW3,ABS,HG-0760GP,SNOW WH | SA | 1 |
| 1-1-1-3 | 5 | G0412 | 6002-001547 | SCREW-TAPPING; SWRCH18A,ZPC(WHT),L10,M4,F | SA | 1 |
| 1-1-2 | 4 | M0196 | DA64-04020C | MASCOT; ALL,Ni,-,T0.06,L80 | SA | 1 |
| 1-2 | 3 | | DA97-19851E | ASSY GASKET-REF; RS8000NC,L1642.5,W469.5, | SA | 1 |
| 2 | 1 | A0166 | DA90-12720A | ASSY GUARD; RS8000AC,IN DOOR I/M,GRAY | SNA | 1 |
| 2-1 | 2 | M0447 | DA63-09329C | GUARD-REF UP; RS8000NC F/L,GPPS,T3.5,TP G | SA | 4 |
| 2-2 | 2 | M0369 | DA63-09330C | GUARD-REF LOW; RS8000NC F/L,GPPS,T3.5,TP | SA | 1 |