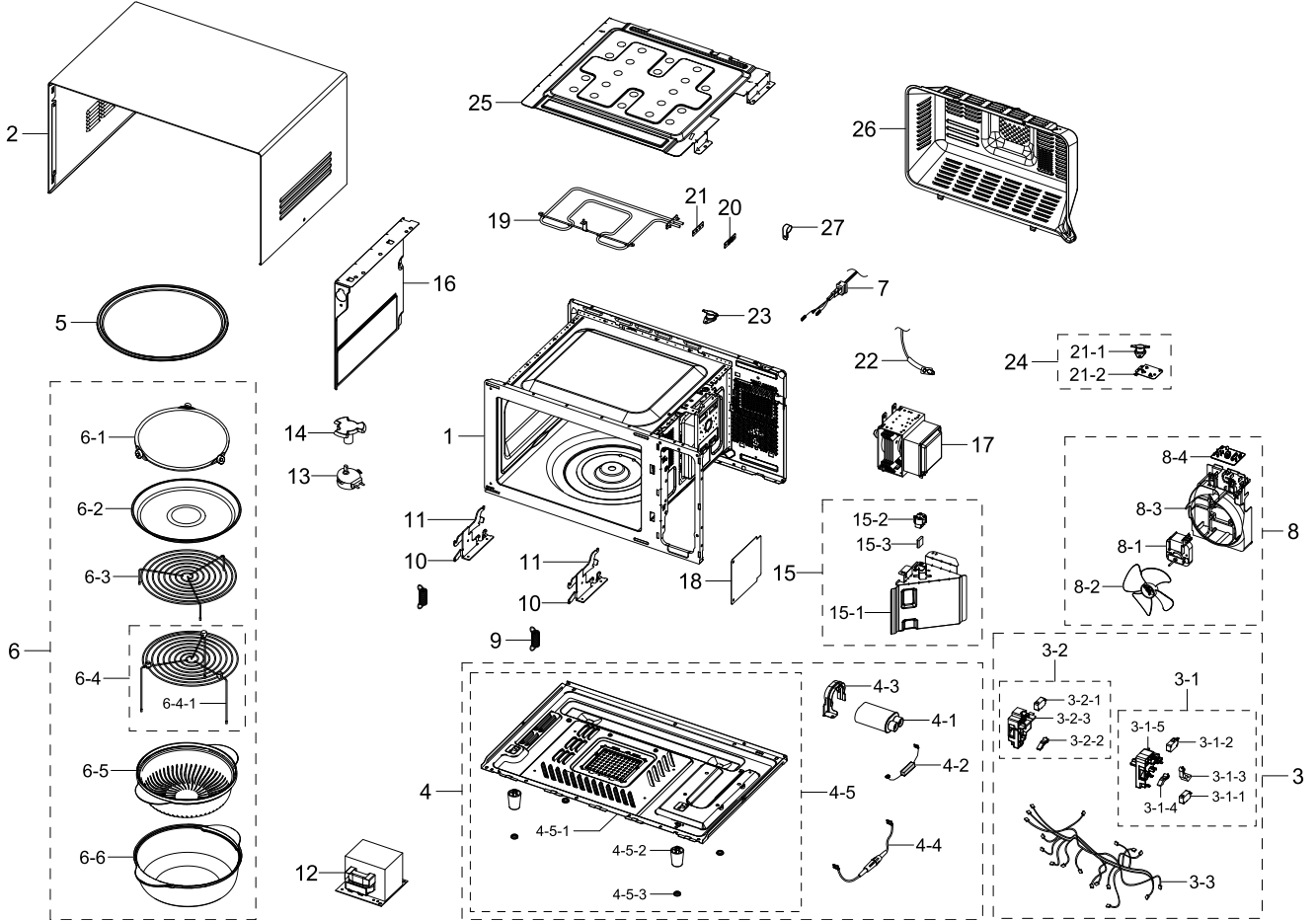


1. MAIN

MAIN

Exploded View



Parts List

No.	Lvl.	Loc.	Material Code	Description & Specification	SNA	Qty.
1	2	Z778	DE94-03025G	ASSY CAVITY-WELDING; MC32J7055CT/ET,32L,E	SNA	1
2	2	M001	DE64-02726C	PANEL OUTER; CE118PT-B1/*,EGI-SECC,T0.6,W	SA	1
3	2		DE94-03873J	ASSY HOLDER-WIRE; MC32J7035AK/EF,DE94-030	SA	1
3-1	3		DE94-03042A	ASSY BODY LATCH TOP-RIGHT; MC32F606T,1.1C	SA	1
3-1-1	4	B046	3405-001032	SWITCH-MICRO; 125/250VAC,16A,200gf,SPDT,T	SA	1
3-1-2	4	B048	3405-001034	SWITCH-MICRO; 125/250VAC,16A,200gf,SPST-N	SA	1
3-1-3	4		DE66-00246A	LEVER SWITCH-RIGHT A; 1.1 CELLO,PA66+GF15	SNA	1
3-1-4	4		DE66-00247A	LEVER SWITCH-RIGHT B; 1.1 CELLO,PA66+GF15	SNA	1
3-1-5	4	B043	DE66-00250A	LATCH BODY-RIGHT; 1.1 CELLO,PA66+GF15%,-,	SNA	1
3-2	3	B022	DE94-03043B	ASSY BODY LATCH; CELLO(CONV),1A DOOR SENS	SA	1
3-2-1	4	S0021	3405-001116	SWITCH-MICRO; 125/250VAC,1A,200gf,SPST-NO	SA	1
3-2-2	4		DE66-00245A	LEVER SWITCH-LEFT B; 1.1 CELLO,PA66+GF15%	SNA	1

Exploded Views and Parts List

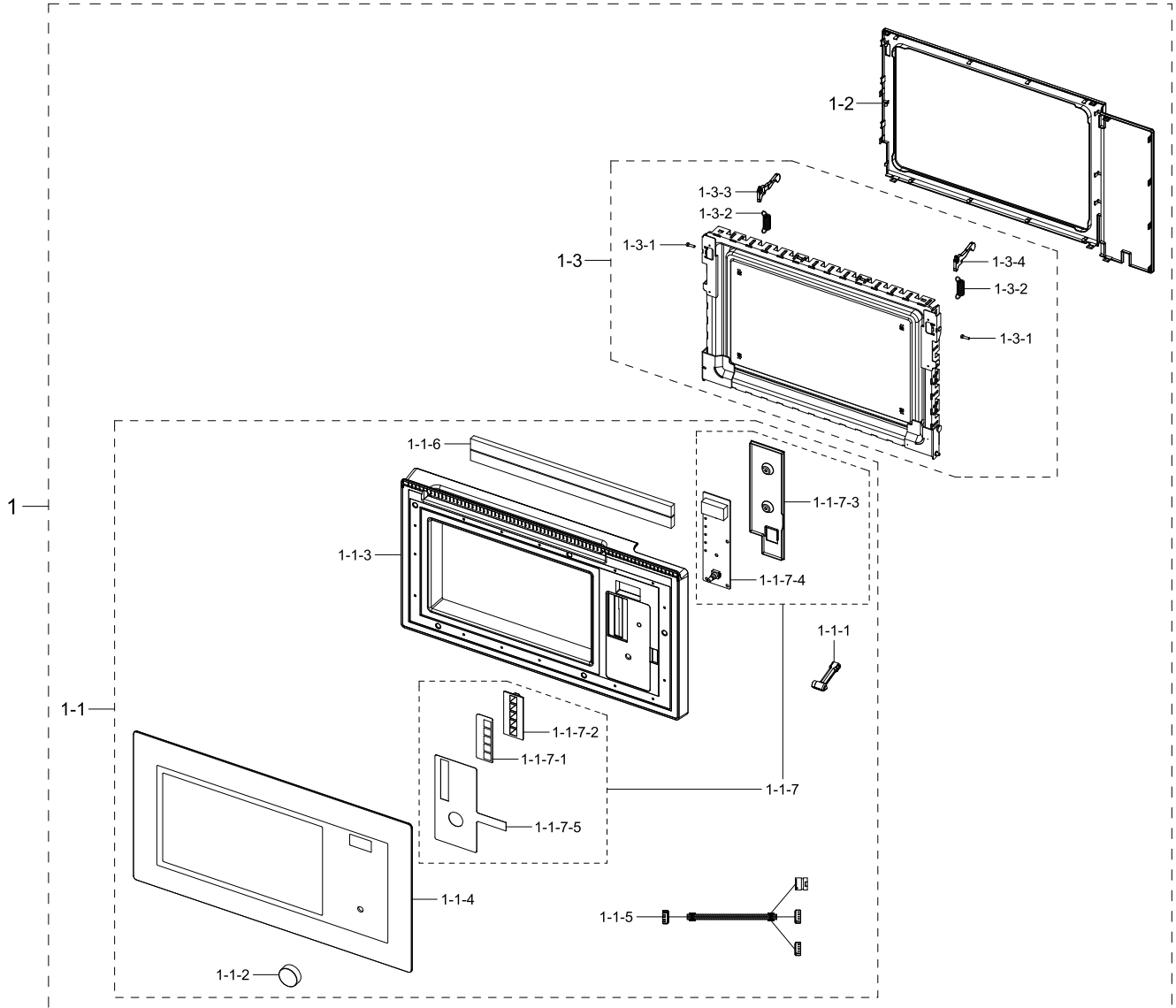
No.	Lvl.	Loc.	Material Code	Description & Specification	SNA	Qty.
3-2-3	4		DE66-00249A	LATCH BODY-LEFT; 1.1 CELLO,PA66+GF15%,BLA	SNA	1
3-3	3		DE96-01058K	ASSY WIRE HARNESS-MAIN; MC32K7055CK/EF,23	SA	1
4	1	M155	DE94-05409D	ASSY BASE PLATE; MC32DB7746KC,GI-SGCC,T0.	SA	1
4-1	2	M039	2501-001014	C-OIL HIGH VOLTAGE; 1050nF,2100V,BK,34x54	SA	1
4-2	2	M527	DE59-00002A	DIODE-H.V; MWO,2CL4512H/CL04-12A,500mA,12	SA	1
4-3	2	M040	DE61-50106A	BRACKET-HVC; EGI-SECC,T0.8	SA	1
4-4	2	M042	DE91-70061A	ASSY H.V.FUSE; THV060T,5KV,800,SCREW,WHT,	SA	1
4-5	2	M045	DE94-05408B	ASSY BASE PLATE SUB; MC32B7382QD/TL,MW730	SA	1
4-5-1	3	M048	DE61-01523B	BASE PLATE; MW7300B,GI-SGCC,T0.6,-,-,-	SNA	1
4-5-2	3	M047	DE61-01867B	FOOT;MW7300B,PP+TD30%,BLACK,-,-,SSPP-T30	SA	4
4-5-3	3	M047	DE61-00304B	FOOT; MW7300B,RUBBER,-,-,-,T3,D13.5	SA	4
5	2	T001	DE74-20016A	TRAY COOKING; MC32K7055CT/EN,GLASS,T5,L69	SA	1
6	2	Z056	DE98-02165A	ASSY CUSHION TRAY; MC32K7085KT/EF, MW7000	SNA	1
6-1	3	T150	DE92-90189S	ASSY GUIDE ROLLER; JES831,SPS(C832-V0),-	SA	1
6-2	3	T133	DE92-90534B	ASSY-TRAY BROILER; CE118KF,AL3004,1.0T	SA	1
6-3	3	T009	DE97-00136B	ASSY WIRE RACK; CK95,-,-,LOW-RACK	SA	1
6-4	3	T010	DE97-00136A	ASSY WIRE RACK; CK95,-,-,-	SA	1
6-4-1	4	T138	DE61-40022A	FOOT-RACK; NQ9300M,Si,BLACK,-,H15.7	SA	3
6-5	3		DE75-00071A	BOWL-INNER; MW7000K,PP,BLUE,HB,HI828,BL00	SA	1
6-6	3		DE75-00070A	MIX BOWL; MW7000K,PP,BLUE,HB,HI828,BL0007	SA	1
7	2	M015	DE96-00252A	POWER CORD-AT; H05VV-F 3x1.5mm2,GRY,EU3F,	SA	1
8	2	M020	DE96-01013D	ASSY MOTOR FAN; MC32DB7746KCE1,SMF-3RDEA1	SNA	1
8-1	3	M023	DE31-10185A	MOTOR AC FAN; SMF-3RDEA1,2,230V,50Hz,20W,	SA	1
8-2	3	H096	DE31-90051A	BLADE-FAN; CE10**,PP+TD40%,NATURAL,MT44	SA	1
8-3	3		DE63-00757C	COVER BLOWER; MC32A7035CT/TL,PP+TD30%,-,-	SA	1
8-4	3	M017	DE96-00399P	ASSY NOISE FILTER; -,250V/20A,250V/15A,1.	SA	1
9	2		DE61-01579B	SPRING HINGE; MC32B7388LE,HSWR,OD15.2,L52	SNA	2
10	2		DE94-03306A	ASSY BRACKET SLIDER; MC32J7055CT,CR-SPCC	SA	2
11	2		DE66-00260A	ARM SLIDER; CR-SPCC,T2,-,-,MW7000J/ZN PLA	SA	2
12	2	M038	DE26-00152A	TRANS H.V; SHV-EPT10A,230V,2385V/3.45V,AL	SA	1
13	2	M495	DE31-10170B	MOTOR AC DRIVE; -,SM16FHK36P1AW3,8Pole,22	SA	1
14	2	M034	DE67-60081A	COUPLER; PPS+GF40%,E1040SEW,NATURAL,-,MWO	SA	1
15	2	M144	DE94-05210A	ASSY COVER AIR; 28 MWO SOLO_GRILL,GI-SGCC	SA	1
15-1	3		DE63-00943A	COVER AIR; 28L MWO SOLO_GRILL,GI-SGCC,T0.	SA	1
15-2	3		DE47-00041B	LAMP HOLDER HALOGEN; G9,1ea,SNAP IN FX,25	SA	1
15-3	3	U013	4713-002365	LAMP-HALOGEN; 230V,25W,2500K,170Lm,13x42x	SA	1
16	2	M053	DE94-03571G	ASSY GUIDE AIR; MC32B7388LE,EGI-SECC	SNA	1
17	2	M035	OM75P(31)ESGN	ASSY-MGT; ASSY-MGT		1
18	2	M051	DE71-00015A	COVER-CEILING; CE2933,MICA SHEET,T0.3,-,-	SA	1
19	2	H071	DE47-00063A	HEATER SHEATH-GRILL; AC230V,1500W,SUS309S	SA	1

No.	Lvl.	Loc.	Material Code	Description & Specification	SNA	Qty.
20	2	M094	DE63-00048A	GASKET-STOPPER; CE2613N,EGI-SECC,-,T1,W53	SA	1
21	2	M008	DE63-00049A	GASKET-HEATER; CE2613N,BRASS,T1,W53,L15	SA	1
21-1	3	M436	DE47-20009A	THERMOSTAT; AC125/250V,15/10A,150C,60C,No	SA	1
21-2	3	H012	DE61-01371A	BRACKET-TCO; SMH9151B/XAA,EGI-SECC,T0.6,-	SA	1
22	2	M054	DE32-10013A	SENSOR TEMP; 1.0Kohm	SA	1
23	2	M436	DE47-20009A	THERMOSTAT; AC125/250V,15/10A,150C,60C,No	SA	1
24	2		DE96-00912C	ASSY THERMOSTAT; GE614ST/ZAM,(1.3CU.FT/1.	SA	1
25	2	P214	DE94-03586A	ASSY BRACKET UPPER; MC32K7055CT/ET,EGI-SE	SNA	1
26	2		DE94-04279A	ASSY COVER BACK; MW5000H,NATURAL,T0.5,CON	SNA	1
27	2	M483	DE65-20014A	CABLE CLAMP; DA-6N,NY-66	SNA	1

2. ASSY DOOR

ASSY DOOR

Exploded View



Parts List

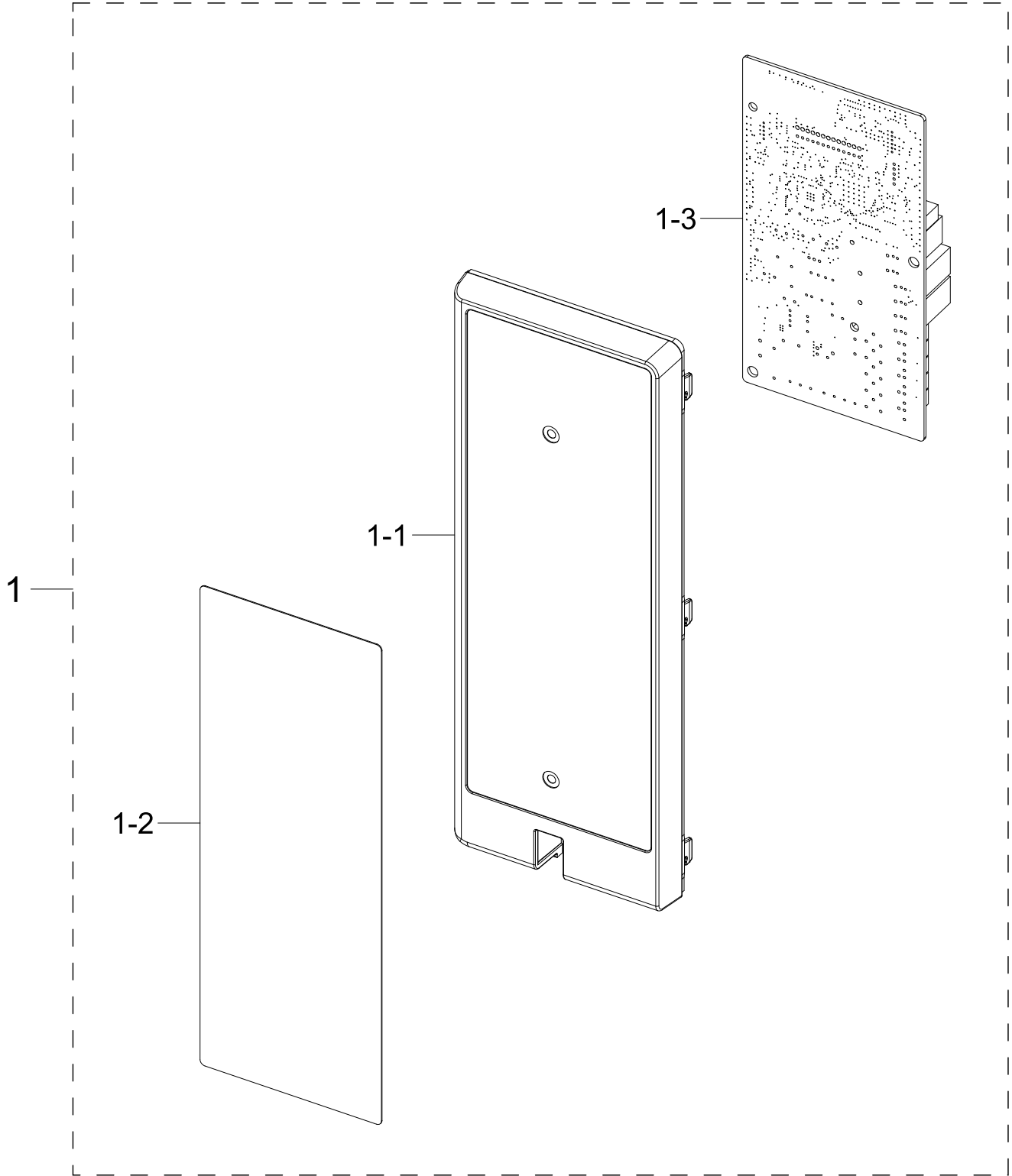
No.	Lvl.	Loc.	Material Code	Description & Specification	SNA	Qty.
1	1	D049	DE94-05407W	ASSY DOOR; MC32DB7746KEE1,PC,PORCELAIN,GE	SA	1
1-1	2	D037	DE94-05412W	ASSY DOOR A; MC32DB7746KEE1,PC,PORCELAIN,	SA	1
1-1-1	3		DE63-00963A	COVER WIRE; MW7500AM,PP,-,V-0,BLACK,-,FH4	SNA	1
1-1-2	3	C025	DE64-03114A	KNOB; MC35A8599LC,ABS,-,HB,GE BLACK,-,HG-	SA	1
1-1-3	3	D002	DE64-03147A	DOOR A; MW7300B,PC,-,W230,L500,HB,141R,GE	SNA	1
1-1-4	3		DE64-03150W	SCREEN DOOR-B; MC32DB7746KEE1,GLASS,T3.2,	SNA	1
1-1-5	3		DE96-01150A	ASSY WIRE HARNESS-SUB; MC32B7388LE,230VAC	SA	1

No.	Lvl.	Loc.	Material Code	Description & Specification	SNA	Qty.
1-1-6	3		DG63-00351A	CUSHION SPONGE; PU FOAM,T10,W20,L1000	SNA	1
1-1-7	3	C082	DE94-05415A	ASSY CONTROL BOX; MC32B7388LE,MW7300B BES	SNA	1
1-1-7-1	4		DE01-00318A	FILM DIFFUSION; PET,T0.01,W30,L85,-,Y,SMO	SNA	1
1-1-7-2	4		DE61-01868A	HOLDER PCB; MW7300B,PC,T1,INNER WHITE,-,H	SNA	1
1-1-7-3	4		DE63-00973A	COVER PCB; MW7300B,PP+TD30%,T1,-,BLACK,-,	SNA	1
1-1-7-4	4		DE92-04609A	ASSY PBA MODULE-TOUCH; HW,MW7300B DISPLAY	SA	1
1-1-7-5	4	M372	DE96-01151A	ASSY TOUCH; MW7300B_Touch Film,MW7300B_To	SNA	1
1-2	2		DE64-03148A	DOOR C; MW7300B,PBT+GF15%,-,W230,L500,HB,	SA	1
1-3	2		DE94-03024C	ASSY DOOR E SUB; MC32B7388LE,CR-SPCC,BLAC	SNA	1
1-3-1	3	D017	DE60-60008A	PIN HINGE; MSW,MSW10,MSW	SNA	2
1-3-2	3	D007	DE64-02344E	SPRING KEY; MC32B7388LE,HSWR,I1.0mm,ID5.8	SNA	2
1-3-3	3		DE64-02721A	KEY DOOR-LEFT; 1.1 CELLO,ZN-DIECASTING,W1	SA	1
1-3-4	3		DE64-02722A	KEY DOOR-RIGHT; 1.1 CELLO,ZN-DIECASTING,W	SA	1

3. ASSY CONTROL BOX

ASSY CONTROL BOX

Exploded View



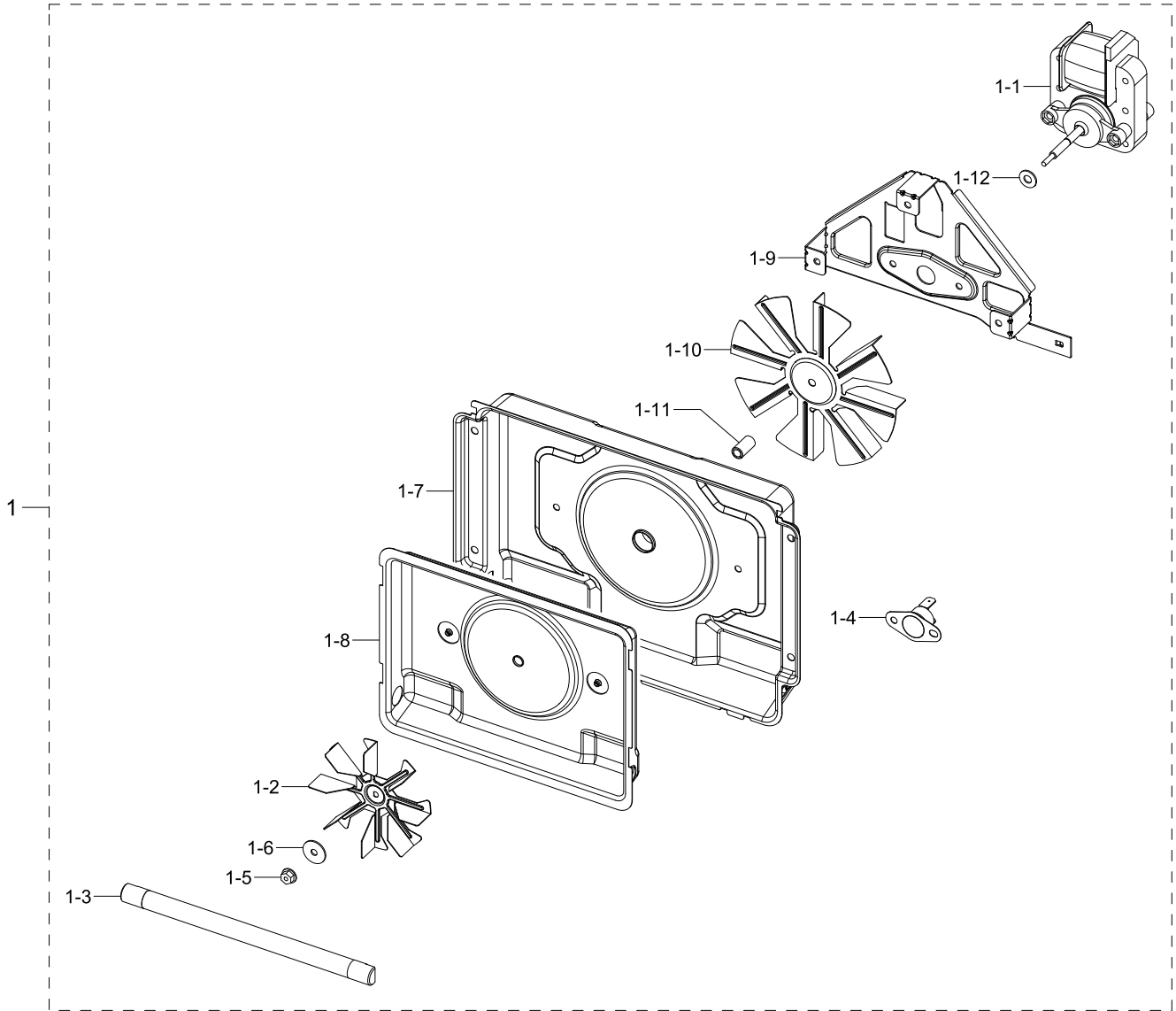
Parts List

No.	Lvl.	Loc.	Material Code	Description & Specification	SNA	Qty.
1	1	C165	DE94-05416G	ASSY COVER PANEL; MC32DG7636KKE4,PC,MW730	SNA	1
1-1	2		DE64-03149A	PANEL CONTROL; MW73000B,PC,-,W230,L350,HB	SNA	1
1-2	2		DE68-04725D	LABEL COOKING GUIDE; MC32DB7746KCE1,E1,PE	SNA	1
1-3	2		DE94-05626C	ASSY PCB EEPROM; 3,DE92-04767A,MW7300D(MW	SA	1

4. ASSY CASING

ASSY CASING

Exploded View



Parts List

No.	Lvl.	Loc.	Material Code	Description & Specification	SNA	Qty.
1	2	H067	DE94-02938F	ASSY CASING; MC32B7382QD/TL,600W,MW7300B	SNA	1
1-1	3		DE31-00050D	MOTOR AC CONVECTION; Contrabass,SMC-105DA	SA	1
1-2	3	H098	DE31-00060A	BLADE-FAN; 1.0value convec,ALCOAT-SA1C,T0	SA	1
1-3	3	M295	DE47-00048A	HEATER QUARTZ-CONVECTION; AC230V,600W,QUA	SA	1
1-4	3	M436	DE47-20009A	THERMOSTAT; AC125/250V,15/10A,150C,60C,No	SA	1
1-5	3	H024	DE60-30016A	NUT FLANGE; MSWR-SWRM,MSWR10	SNA	1
1-6	3	H011	DE60-40014B	WASHER-C MOTOR; EGI-SECC,T1.0,ZNC3	SNA	1

No.	Lvl.	Loc.	Material Code	Description & Specification	SNA	Qty.
1-7	3	H014	DE61-01188A	BRACKET CASING; 1.0 VALUE CONVECTION,ALCO	SNA	1
1-8	3	H015	DE63-00618A	COVER CASING; 1.0value convec,EGI-SECC,T0	SA	1
1-9	3		DE61-01744A	BRACKET MOTOR; MW5000,EGI-SECC,T1,W150,L1	SNA	1
1-10	3		DE67-00307A	FAN COOLING; MW5000,GI-SGCC,T0.6,1.0, 1.1	SA	1
1-11	3	M141	DE61-01746A	BUSH; MSWR,ID5.6,OD8,L15,-,-,-,MSWR, MW50	SNA	1
1-12	3	H009	DE60-40026B	WASHER PLAIN; ZNC,OD12,T1.0,SBC1	SNA	2