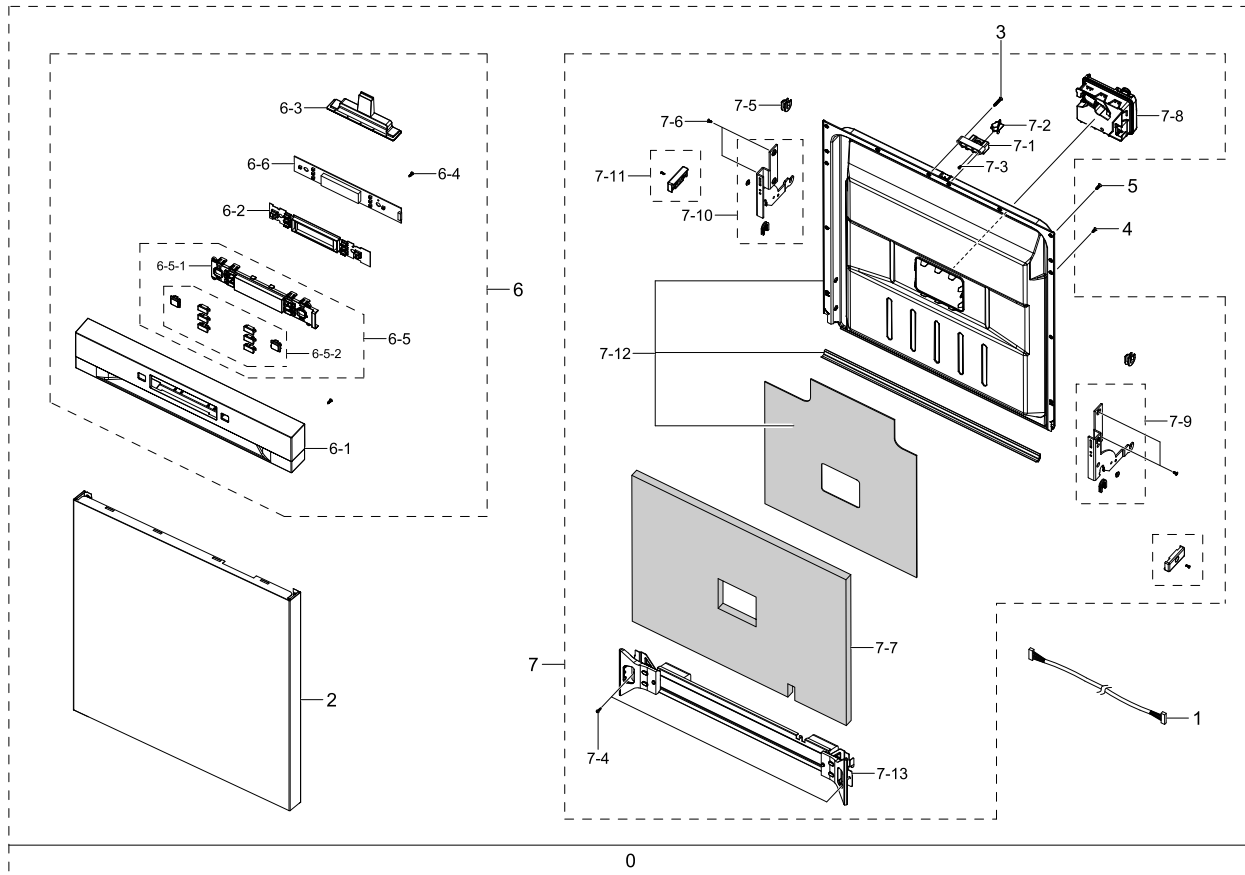


# 1. Assy Door

Assy Door

## Exploded View



## Parts List

No.	Lvl.	Loc.	Material Code	Description & Specification	SNA	Qty.
0	1		DD82-01937D	SVC ASSY DOOR; DW6500AM,DW60A609*FS, DW60	SNA	1
1	2		DD81-02460A	SVC-SUB WIRE HARNESS; DW5500MM	SA	1
2	2		DD81-02521A	SVC-DOOR OUTER; STS	SA	1
3	2		DD81-02756A	SVC-SCREW-SPECIAL T20; DW2900RM,113032040	SA	2
4	2		DD81-02757A	SVC-SCREW-SPECIAL T15 S; DW2900RM,1130320	SA	6
5	2		DD81-02758A	SVC-SCREW-SPECIAL T15 L; DW2900RM,1130320	SA	6
6	2		DD82-01649N	SVC ASSY-CONTROL PANEL; DW6500AM,DW60A609	SNA	1
6-1	3		DD81-02516A	SVC-CONTROL PANEL; DW5500MM	SA	1
6-2	3		DD81-02519A	SVC-BUTTON SILICON; DW5500MM	SA	1

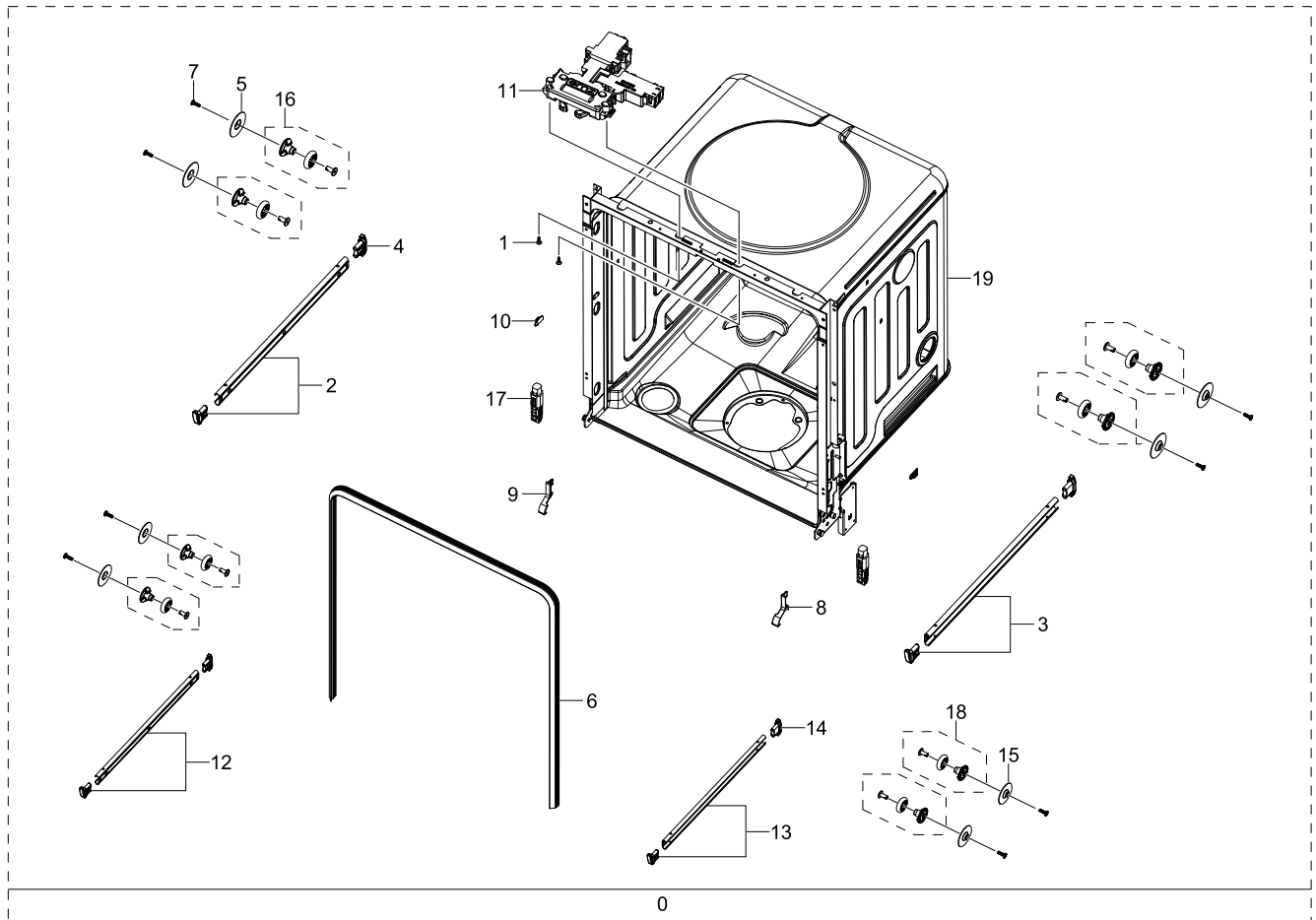
## Exploded Views and Parts List

No.	Lvl.	Loc.	Material Code	Description & Specification	SNA	Qty.
6-3	3		DD81-02520A	SVC-COVER RETAINING; DW5500MM	SA	1
6-4	3		DD81-02695A	SVC ASSY PBA-SCREW SUB; DW5500MM,ODM,FS,B	SA	6
6-5	3		DD82-01933D	SVC ASSY-WINDOW PANEL; DW6500AM,DW60A609*	SA	1
6-5-1	4		DD81-02518A	SVC-WINDOW PANEL; DW5500MM	SA	1
6-5-2	4		DD82-01520A	SVC ASSY-BUTTON; SILVER	SA	1
6-6	3		DD82-01941B	SVC ASSY PBA-SUB; DW6500AM,DW60A609*F*, D	SA	1
7	2		DD82-01792G	SVC ASSY DOOR-INNER; DW6500AM,DW60A609*F*	SNA	1
7-1	3		DD81-02447A	SVC-HOLDER-DOOR LOCK; DW5500MM	SA	1
7-2	3		DD81-02492A	SVC-DOOR LOCK HOOK; DW5500MM	SA	1
7-3	3		DD81-02694A	SVC-SCREW HOUSING; DW5500MM	SA	1
7-4	3		DD81-02728A	SVC-SCREW-MACHINE; DW2900RM,1130113200011	SA	2
7-5	3		DD81-02763A	SVC-HOLDER HINGE; DW2900RM,12176000003629	SA	2
7-6	3		DD81-02764A	SVC-SCREW-MACHINE HINGE; DW2900RM,1130112	SA	4
7-7	3		DD81-03101A	SVC-ABSORBER DOOR INNER; DW7500RM,FS mode	SA	1
7-8	3		DD81-02654A	SVC-DISPENSER RINSE AID; DW5500MM	SA	1
7-9	3		DD82-01675A	SVC ASSY-HINGE-RIGHT; ODM,12276000001778	SA	1
7-10	3		DD82-01676A	SVC ASSY-HINGE-LEFT; ODM,12276000001731	SA	1
7-11	3		DD82-01727A	SVC ASSY-HOUSING SUPPORT; ODM,4055FS	SA	2
7-12	3		DD82-01779A	SVC ASSY DOOR-INNER SUB; ODM,7070UG	SNA	1
7-13	3		DD82-01811B	SVC-ASSY-BRACKET DOOR FRAME; DW7500RM,707	SA	1

## 2. Assy Tub

Assy Tub

### Exploded View



### Parts List

No.	Lvl.	Loc.	Material Code	Description & Specification	SNA	Qty.
0	1		DD82-01793C	SVC ASSY-TUB; DW6500AM,3RD RACK, EU	SNA	1
1	2		DD81-02693A	SVC-SCREW TRIM SIDE; DW5500MM	SA	2
2	2		DD81-02766A	SVC-RAIL MID-LEFT; DW2900RM,1227600000135	SA	1
3	2		DD81-02767A	SVC-RAIL MID-RIGHT; DW2900RM,122760000013	SA	1
4	2		DD81-02768A	SVC-HOLDER-RAIL MIDDLE REAR; DW2900RM,121	SA	2
5	2		DD81-02769A	SVC-BRACKET RAIL; DW2900RM,12176000008573	SA	4
6	2		DD81-02770A	SVC-SEAL TUB PACKING; DW2900RM,1267600000	SA	1
7	2		DD81-02771A	SVC-SCREW-BRACKET RAIL; DW2900RM,11303223	SA	4
8	2		DD81-02774A	SVC-COVER TUB EDGE-RIGHT; DW2900RM,121760	SA	1

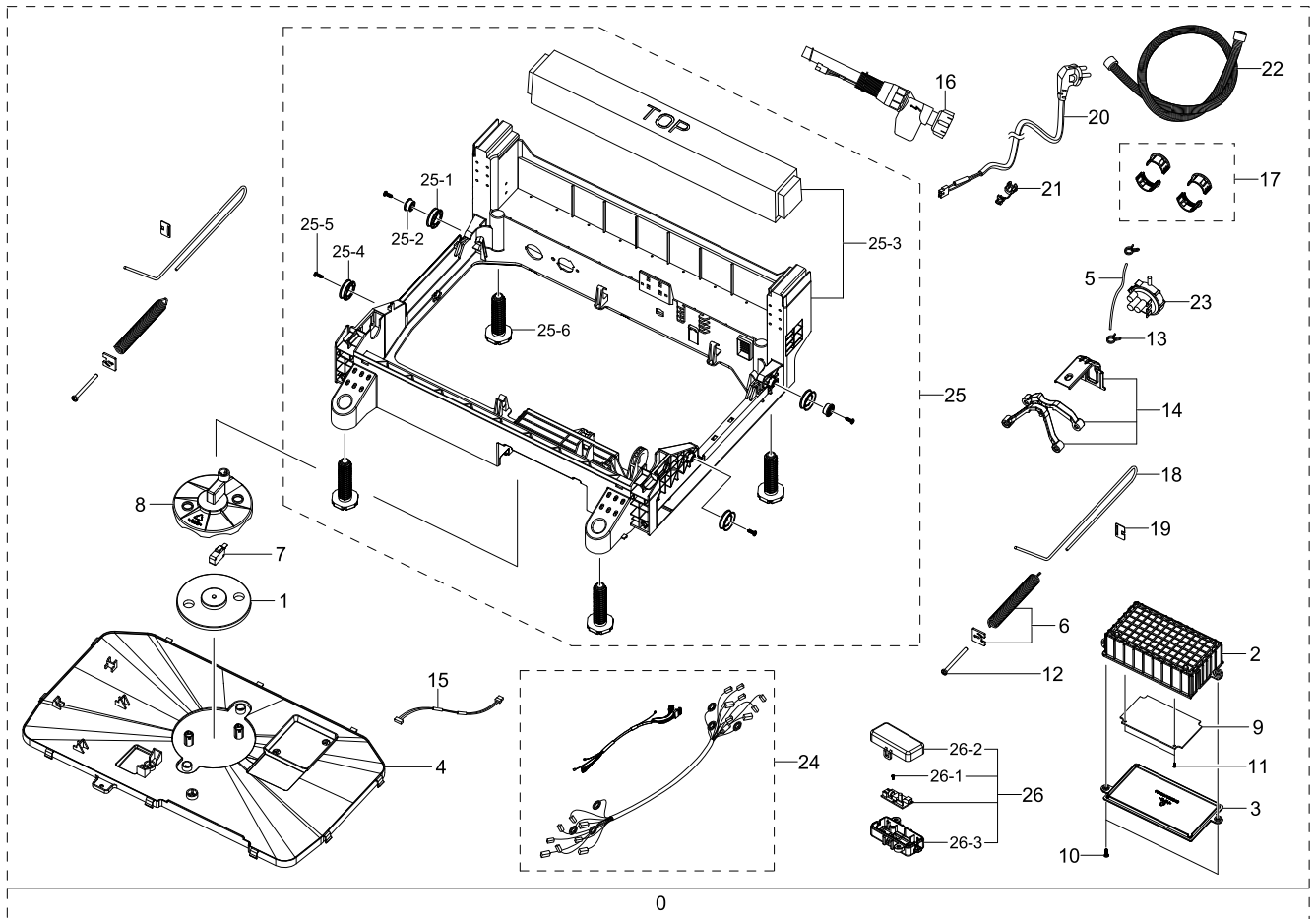
## Exploded Views and Parts List

No.	Lvl.	Loc.	Material Code	Description & Specification	SNA	Qty.
9	2		DD81-02775A	SVC-COVER TUB EDGE-LEFT; DW2900RM,1217600	SA	1
10	2		DD81-02782A	SVC-CAP DOOR GUIDE; DW2900RM,12176000035	SA	2
11	2		DD81-02897A	SVC-DOOR SWITCH; DW4000RM	SA	1
12	2		DD81-02958A	SVC-RAIL 3RD-LEFT; DW4000RM	SA	1
13	2		DD81-02959A	SVC-RAIL 3RD-RIGHT; DW4000RM	SA	1
14	2		DD81-02960A	SVC-HOLDER-RAIL 3RD REAR; DW4000RM	SA	2
15	2		DD81-02961A	SVC-BRACKET RAIL-3RD; DW4000RM	SA	4
16	2		DD82-01677A	SVC ASSY-ROLLER; ODM,12176000026011	SA	4
17	2		DD82-01728A	SVC ASSY-DAMPER DOOR; ODM,4055FS,12176000	SA	2
18	2		DD82-01771A	SVC ASSY-ROLLER RAIL 3RD; ODM,4050BB,1217	SA	4
19	2		DD82-01794A	SVC ASSY-TUB SUB; 7070	SNA	1

### 3. Assy Base

Assy Base

#### Exploded View



#### Parts List

No.	Lvl.	Loc.	Material Code	Description & Specification	SNA	Qty.
0	1		DD82-01833F	SVC ASSY-BASE; DW6500AM,Free standing,/EF	SNA	1
1	2		DD81-02288A	SVC-CUSION SENSOR LEAKAGE; ODM, DW3000MM	SA	1
2	2		DD81-02354B	SVC-COVER PCB; DW7500RM	SA	1
3	2		DD81-02355B	SVC-GUIDE COVER PCB; DW7500RM	SA	1
4	2		DD81-02357B	SVC-COVER BASE; DW7500RM	SA	1
5	2		DD81-02448A	SVC-HOSE PRESSURE SWITCH; DW5500MM	SA	1
6	2		DD81-02494B	SVC-DOOR SPRING; ODM, DW5500MM,FS,BU	SA	2
7	2		DD81-02495A	SVC-MICRO SWITCH; DW5500MM	SA	1
8	2		DD81-02496A	SVC-COVER SENSOR LEAKAGE; DW5500MM	SA	1
9	2		DD81-02658C	SVC ASSY PBA-MAIN; DW6500AM	SA	1
10	2		DD81-02692A	SVC-SCREW TOP PANEL; DW5500MM	SA	2

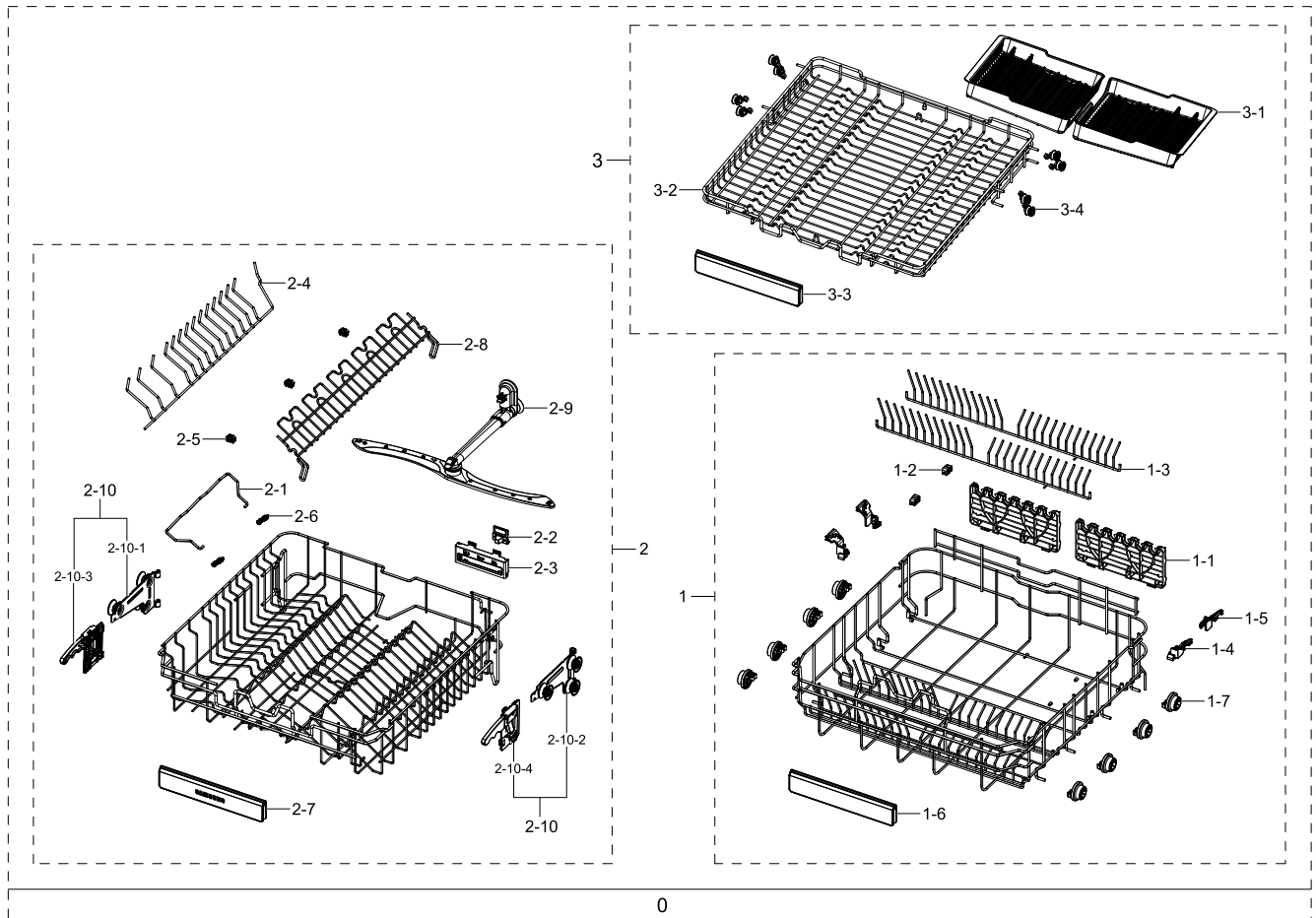
Exploded Views and Parts List

No.	Lvl.	Loc.	Material Code	Description & Specification	SNA	Qty.
11	2		DD81-02695A	SVC ASSY PBA-SCREW SUB; DW5500MM,ODM,FS,B	SA	2
12	2		DD81-02796A	SVC-SHAFT SPRING; DW2900RM,12976000001001	SA	2
13	2		DD81-02806A	SVC-CLAMPER HOSE PRESSURE; DW2900RM,12976	SA	2
14	2		DD81-02808A	SVC-DAMPER PUMP; DW2900RM,12276000008925	SA	1
15	2		DD81-02815A	SVC-WIRE HARNESS-SUB TURBIDIT; DW2900RM,1	SA	1
16	2		DD81-02855A	SVC-VALVE WATER-SAFETY; DW4000RM	SA	1
17	2		DD81-02856A	SVC-HOLDER HOSE DRAIN; DW4000RM	SA	2
18	2		DD81-02857A	SVC-HOLDER ROPE DOOR; DW4000RM	SA	2
19	2		DD81-02858A	SVC-STOPPER ROPE DOOR; DW4000RM	SA	2
20	2		DD81-02861A	SVC POWER CORD; DW4000RM,ODM,4055FS,17476	SA	1
21	2		DD81-02862A	SVC-HOLDER POWER CORD; DW4000RM	SA	1
22	2		DD81-02863A	SVC-HOSE DRAIN; DW4000RM	SA	1
23	2		DD81-02864A	SVC-PRESSURE SENSOR; DW4000RM	SA	1
24	2		DD81-04049B	SVC-WIRE HARNESS-MAIN; DW6500AM, EU	SA	1
25	2		DD82-01782G	SVC ASSY-BASE SUB; DW6500AM,Free standing	SNA	1
25-1	3		DD81-02358A	SVC-ROLLER; 5500MM, ODM	SA	2
25-2	3		DD81-02498A	SVC-ROLLER SUB; DW5500MM	SA	2
25-3	3		DD81-02554A	SVC-BASE; DW5500MM, Free Standing	SA	1
25-4	3		DD81-02868A	SVC-ROLLER FIXED; DW4000RM	SA	2
25-5	3		DD81-02869A	SVC-ROLLER SCREW; DW4000RM	SA	4
25-6	3		DD81-03010A	SVC-FOOT; DW7500RM	SA	4
26	2		DD82-01948A	SVC ASSY PBA-AUTO DOOR; DW5500MM,ODM,KOR,	SA	1
26-1	3		DD81-02695A	SVC ASSY PBA-SCREW SUB; DW5500MM,ODM,FS,B	SA	1
26-2	3		DD81-02954A	SVC ASSY PBA-COVER-AUTO; DW4000RM,ODM,AUT	SA	1
26-3	3		DD81-02955A	SVC ASSY PBA-GUIDE COVER-AUTO; DW4000RM,O	SA	1

## 4. Assy Basket

Assy Basket

### Exploded View



### Parts List

No.	Lvl.	Loc.	Material Code	Description & Specification	SNA	Qty.
0	1		DD82-01883B	SVC ASSY-BASKET PARTS; DW8500AM	SNA	1
1	2		DD82-01886B	SVC ASSY-BASKET LOWER; DW8500AM	SA	1
1-1	3		DD81-02987A	SVC-GLASS SUPPORT; DW7500RM	SA	2
1-2	3		DD81-03180A	SVC-HOLDER TINE-LOW; DW8500AM	SA	2
1-3	3		DD81-03181A	SVC-WIRE TINE; DW8500AM	SA	2
1-4	3		DD81-03183A	SVC-HOLDER WIRE RIGHT; DW8500AM	SA	2
1-5	3		DD81-03184A	SVC-HOLDER WIRE LEFT; DW8500AM	SA	2
1-6	3		DD81-03221C	SVC-HANDLE BASKET; DW8500AM, LOGO-None	SA	1
1-7	3		DD82-01669A	SVC ASSY-ROLLER-LOW; ODM,12176000008775	SA	8
2	2		DD82-01887B	SVC ASSY-BASKET UPPER; DW8500AM	SA	1
2-1	3		DD81-03173A	SVC-WIRE FOLDING; DW8500AM	SA	1
2-2	3		DD81-03174A	SVC-GUIDE BUTTON; DW8500AM	SA	1

Exploded Views and Parts List

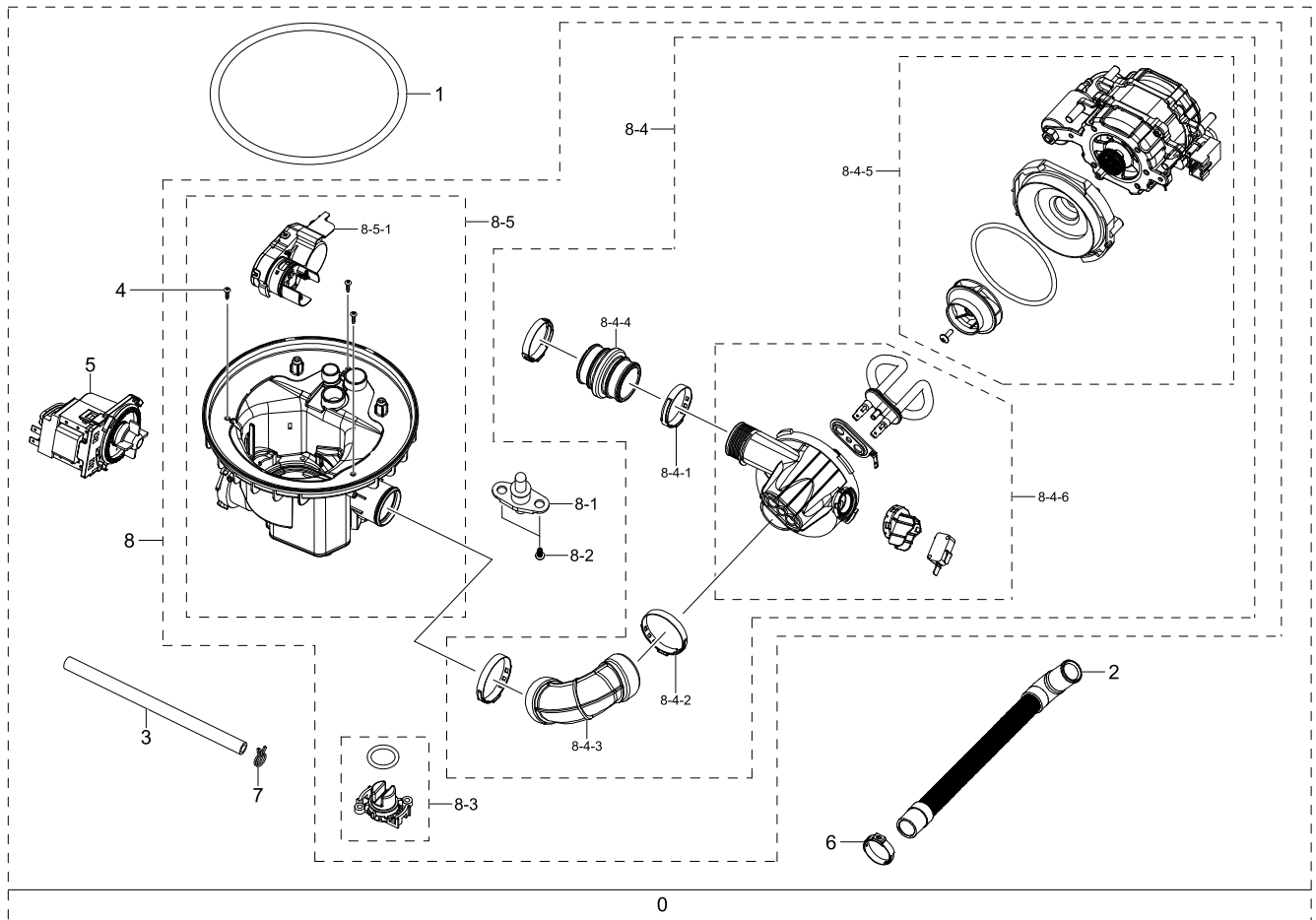
No.	Lvl.	Loc.	Material Code	Description & Specification	SNA	Qty.
2-3	3		DD81-03175A	SVC-HOLDER GUIDE TINE; DW8500AM	SA	1
2-4	3		DD81-03176A	SVC-WIRE GUIDE TINE; DW8500AM	SA	1
2-5	3		DD81-03177A	SVC-HOLDER GUIDE TINE-UP; DW8500AM	SA	3
2-6	3		DD81-03186A	SVC-HOLDER TINE-UP; DW8500AM	SA	2
2-7	3		DD81-03221B	SVC-HANDLE BASKET; DW8500AM	SA	1
2-8	3		DD81-03249A	SVC-WINE-RACK; DW8500AM	SA	1
2-9	3		DD82-01894A	SVC ASSY-ROTOR MIDDLE; DW8500AM	SA	1
2-10	3		DD82-01895A	SVC ASSY-BASKET MIDDLE SUB; DW8500AM	SNA	1
2-10-1	4		DD82-01896A	SVC ASSY-BRACKET ADJUSTER - LEFT; DW8500A	SA	1
2-10-2	4		DD82-01897A	SVC ASSY-BRACKET ADJUSTER - RIGHT; DW8500	SA	1
2-10-3	4		DD82-01958A	SVC ASSY-ADJUSTER-L; DW8500AM,Height adju	SA	1
2-10-4	4		DD82-01959A	SVC ASSY-ADJUSTER-R; DW8500AM,Height adju	SA	1
3	2		DD82-01893B	SVC ASSY-BASKET 3RD; DW8500AM,DECO None	SA	1
3-1	3		DD81-03160A	SVC-BASKET 3RD TRAY; DW8500AM	SA	2
3-2	3		DD81-03161A	SVC-WIRE FRAME 3RD; DW8500AM	SA	1
3-3	3		DD81-03221C	SVC-HANDLE BASKET; DW8500AM, LOGO-None	SA	1
3-4	3		DD82-01957A	SVC ASSY-ROLLER 3RD; DW8500AM	SA	8



## 5. Assy Sump

### Assy Sump

### Exploded View



### Parts List

No.	Lvl.	Loc.	Material Code	Description & Specification	SNA	Qty.
0	1		DD82-01940B	SVC ASSY-SUMP PARTS; DW6500AM,EU	SNA	1
1	2		DD81-02449A	SVC-SEAL SUMP; DW5500MM	SA	1
2	2		DD81-02450A	SVC-HOSE-DRAIN IN; DW5500MM	SA	1
3	2		DD81-02508A	SVC-PVC HOSE; DW5500MM	SA	1
4	2		DD81-02718A	SVC-SCREW SUMP; DW2900RM,11303125000152	SA	3
5	2		DD81-02451A	SVC PUMP-DRAIN; DW5500MM	SA	1
6	2		DD81-02910A	SVC-CLAMPER HOSE DRAIN; DW4000RM	SA	1
7	2		DD81-02911A	SVC-CLAMPER HOSE INLET; DW4000RM	SA	1
8	2		DD82-01732A	SVC ASSY-SUMP; ODM,4060BB	SA	1
8-1	3		DD81-02737A	SVC-THERMISTOR; DW2900RM,17176000000297	SA	1
8-2	3		DD81-02738A	SVC-SCREW-THERISTOR; DW2900RM,11303122000	SA	2

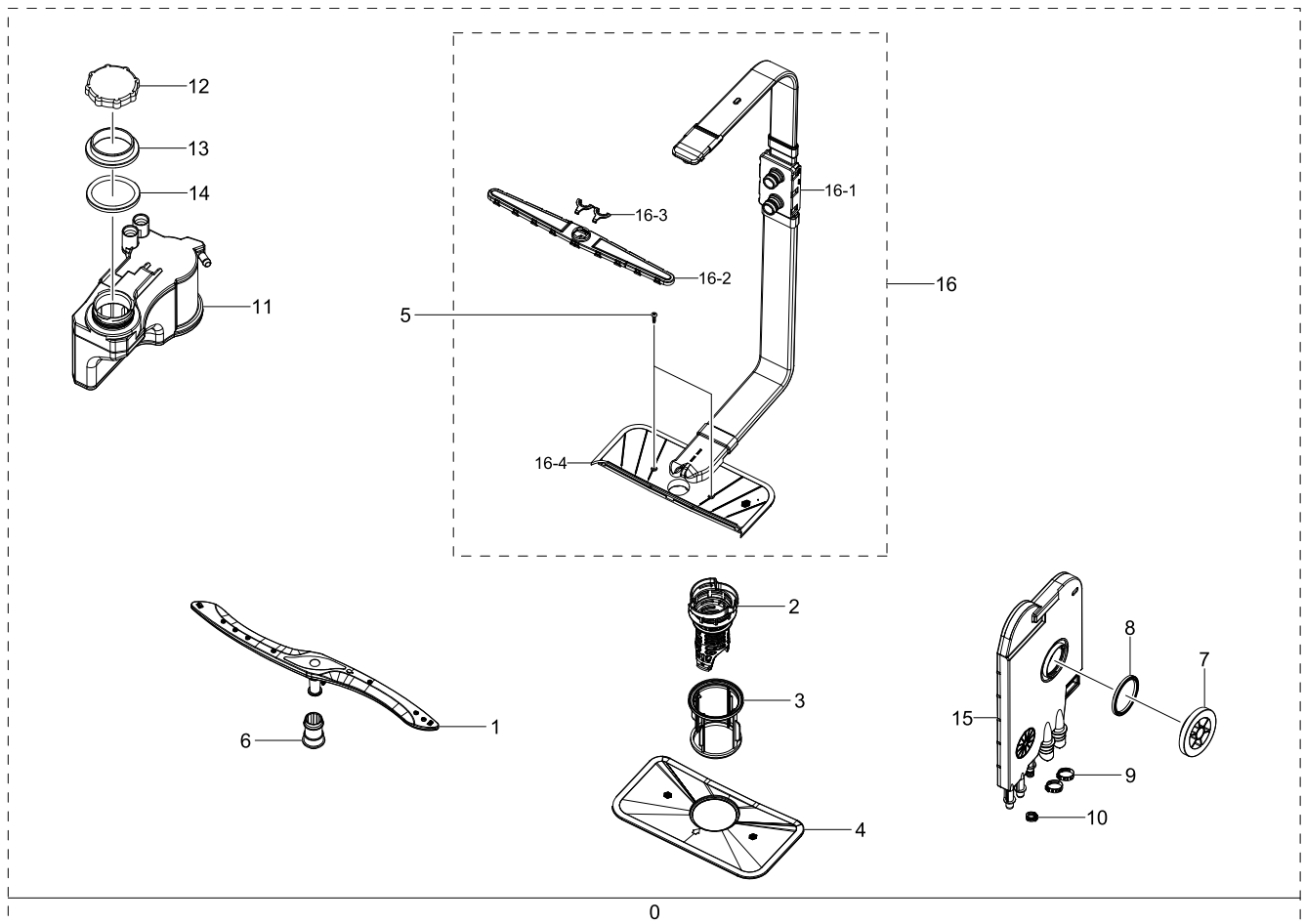
## Exploded Views and Parts List

No.	Lvl.	Loc.	Material Code	Description & Specification	SNA	Qty.
8-3	3		DD81-02889A	SVC-SENSOR-TURBIDITY; DW4000RM	SA	1
8-4	3		DD82-01733A	SVC MOTOR-PUMP; ODM,EU	SA	1
8-4-1	4		DD81-02481A	SVC-CLAMPER HOSE OUT; DW5500MM	SA	2
8-4-2	4		DD81-02482A	SVC-CLAMPER HOSE IN; DW5500MM	SA	2
8-4-3	4		DD81-02747A	SVC-HOSE PUMP-IN; DW2900RM,1267600000162	SA	1
8-4-4	4		DD81-02748A	SVC-HOSE PUMP-OUT; DW2900RM,126760000013	SA	1
8-4-5	4		DD81-02940A	A/S-MOTOR PUMP; DW4000RM,ODM,EU,17476000A	SNA	1
8-4-6	4		DD82-01705B	A/S ASSY-HEATER PUMP; DW4000RM,ODM,EU	SNA	1
8-5	3		DD82-01734A	SVC ASSY-SUMP SUB; ODM,4060BB,12176000016	SA	1
8-5-1	4		DD81-02575A	SVC MOTOR-GEARED; DW5500MM	SA	1

## 6. Assy Inner

Assy Inner

### Exploded View



### Parts List

No.	Lvl.	Loc.	Material Code	Description & Specification	SNA	Qty.
0	1		DD82-01938B	SVC ASSY-INNER PARTS; DW6500AM,DW60A609*F	SNA	1
1	2		DD81-01847A	SVC-NOZZLE LOWER; DW5000H	SA	1
2	2		DD81-02452A	SVC-FILTER COARSE; DW5500MM	SA	1
3	2		DD81-02453A	SVC-FILTER MICRO; DW5500MM	SA	1
4	2		DD81-02454A	SVC-FILTER FINE; DW5500MM	SA	1
5	2		DD81-02718A	SVC-SCREW SUMP; DW2900RM,11303125000152	SA	2
6	2		DD81-02719A	SVC-HOLDER ROTOR LOWER; DW2900RM,12176000	SA	1
7	2		DD81-02725A	SVC-CAP CASE BRAKE; DW2900RM,121760000136	SA	1
8	2		DD81-02726A	SVC-GASKET-BRAKE; DW2900RM,12676000000713	SA	1

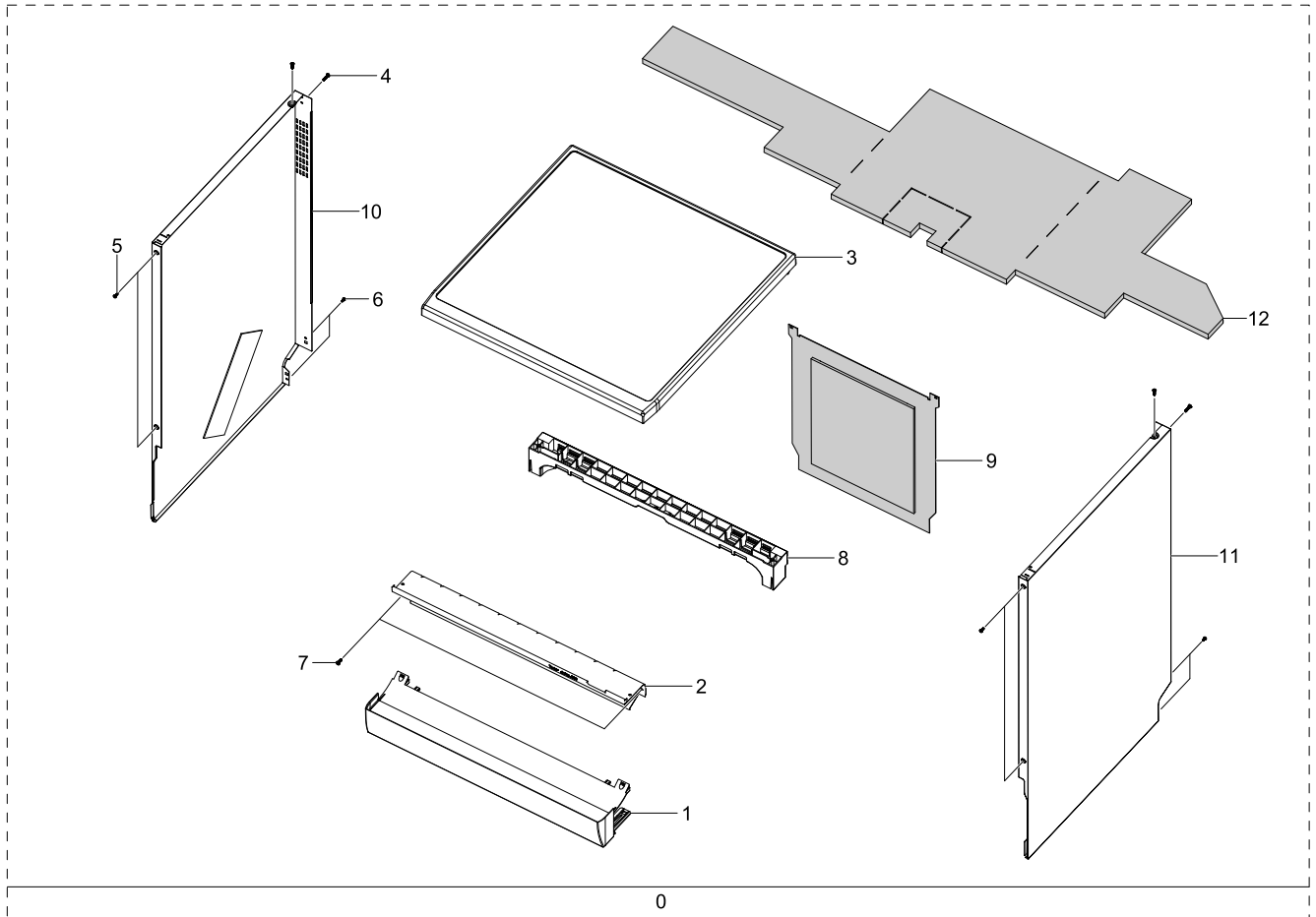
## Exploded Views and Parts List

No.	Lvl.	Loc.	Material Code	Description & Specification	SNA	Qty.
9	2		DD81-02910A	SVC-CLAMPER HOSE DRAIN; DW4000RM	SA	2
10	2		DD81-02911A	SVC-CLAMPER HOSE INLET; DW4000RM	SA	1
11	2		DD81-02917A	SVC-TANK WATER-SOFTENER; DW4000RM	SA	1
12	2		DD81-02918A	SVC-TANK WATER-SOFTENER-CAP; DW4000RM	SA	1
13	2		DD81-02919A	SVC-TANK WATER-SOFTENER-HOLDER; DW4000RM	SA	1
14	2		DD81-02920A	SVC-TANK WATER-SOFTENER SEAL; DW4000RM	SA	1
15	2		DD82-01446A	SVC ASSY-CASE BRAKE; 5500MM,ODM	SA	1
16	2		DD82-01501A	SVC ASSY-DUCT NOZZLE; DW5500MM	SA	1
16-1	3		DD81-02470A	SVC-COVER DUCT NOZZLE; DW5500MM	SA	1
16-2	3		DD81-02509A	SVC-NOZZLE TOP; DW5500MM	SA	1
16-3	3		DD81-02510A	SVC-NOZZLE TOP RING; DW5500MM	SA	1
16-4	3		DD81-02511A	SVC-MAIN DUCT; DW5500MM	SNA	1

## 7. Assy Case Parts

### Assy Case Parts

#### Exploded View



#### Parts List

No.	Lvl.	Loc.	Material Code	Description & Specification	SNA	Qty.
0	1		DD82-01787H	SVC ASSY-CASE PARTS; DW6500AM,DW60A609*FS	SNA	1
1	2		DD81-01650B	SVC-COVER PLINTH; DW5500MM,DW7500RM,12176	SA	1
2	2		DD81-02446C	SVC-FRAME FRONT; DW7500RM	SA	1
3	2		DD81-02552A	SVC-TOP PANEL; DW5000MM. FS	SA	1
4	2		DD81-02692A	SVC-SCREW TOP PANEL; DW5500MM	SA	2
5	2		DD81-02693A	SVC-SCREW TRIM SIDE; DW5500MM	SA	4
6	2		DD81-02694A	SVC-SCREW HOUSING; DW5500MM	SA	10
7	2		DD81-02728A	SVC-SCREW-MACHINE; DW2900RM,1130113200011	SA	2
8	2		DD81-02733A	SVC-GUIDE TUB TOP; DW2900RM,1217600000386	SA	1

Exploded Views and Parts List

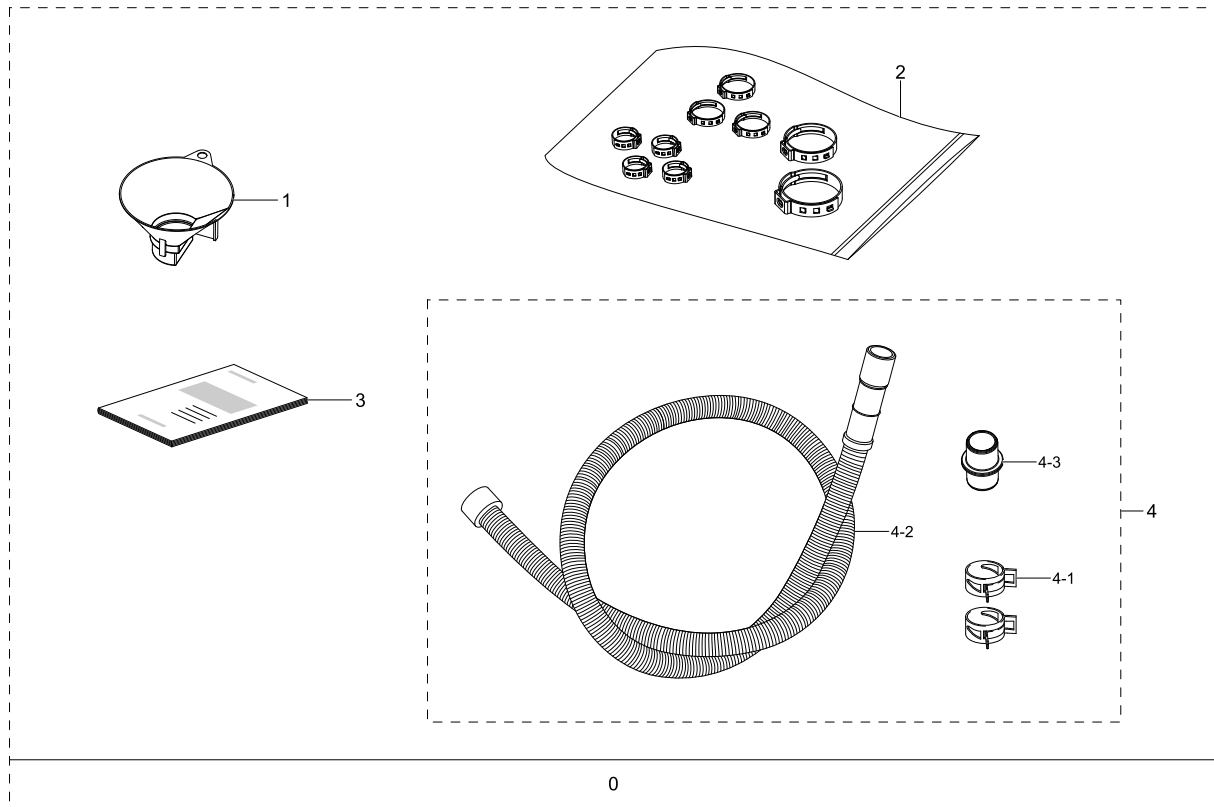
---

No.	Lvl.	Loc.	Material Code	Description & Specification	SNA	Qty.
9	2		DD81-02734A	SVC-COVER TUB REAR; DW5500MM,121760000102	SA	1
10	2		DD81-02880A	SVC-HOUSING-LEFT; DW4000RM	SA	1
11	2		DD81-02881A	SVC-HOUSING-RIGHT; DW4000RM	SA	1
12	2		DD81-02988A	SVC-ABSORBER-TOP; DW7500RM	SA	1

## 8. Assy Buyer Parts

Assy Buyer Parts

### Exploded View



### Parts List

No.	Lvl.	Loc.	Material Code	Description & Specification	SNA	Qty.
0	1		DD82-01934L	SVC ASSY-BUYER PARTS; DW6500AM,FS,/ET	SNA	1
1	2		DD81-02921A	SVC-GUIDE SALT; DW4000RM	SA	1
2	2		DD81-02922A	SVC-CLAMPER KIT; DW4000RM	SA	1
3	2		DD81-04050D	SVC-MANUAL USER; /ET,GERMAN, ITALIAN, FRE	SNA	1
4	2		DD82-01712B	SVC ASSY-HOSE CONNECTOR KIT; DW4000RM,ODM	SA	1
4-1	3		DD81-02739A	SVC-CLAMPER HOSE DRAIN; DW2900RM,12976000	SA	2
4-2	3		DD81-02863A	SVC-HOSE DRAIN; DW4000RM	SA	1
4-3	3		DD81-02871A	SVC-HOSE CONNECTOR; DW4000RM	SA	1