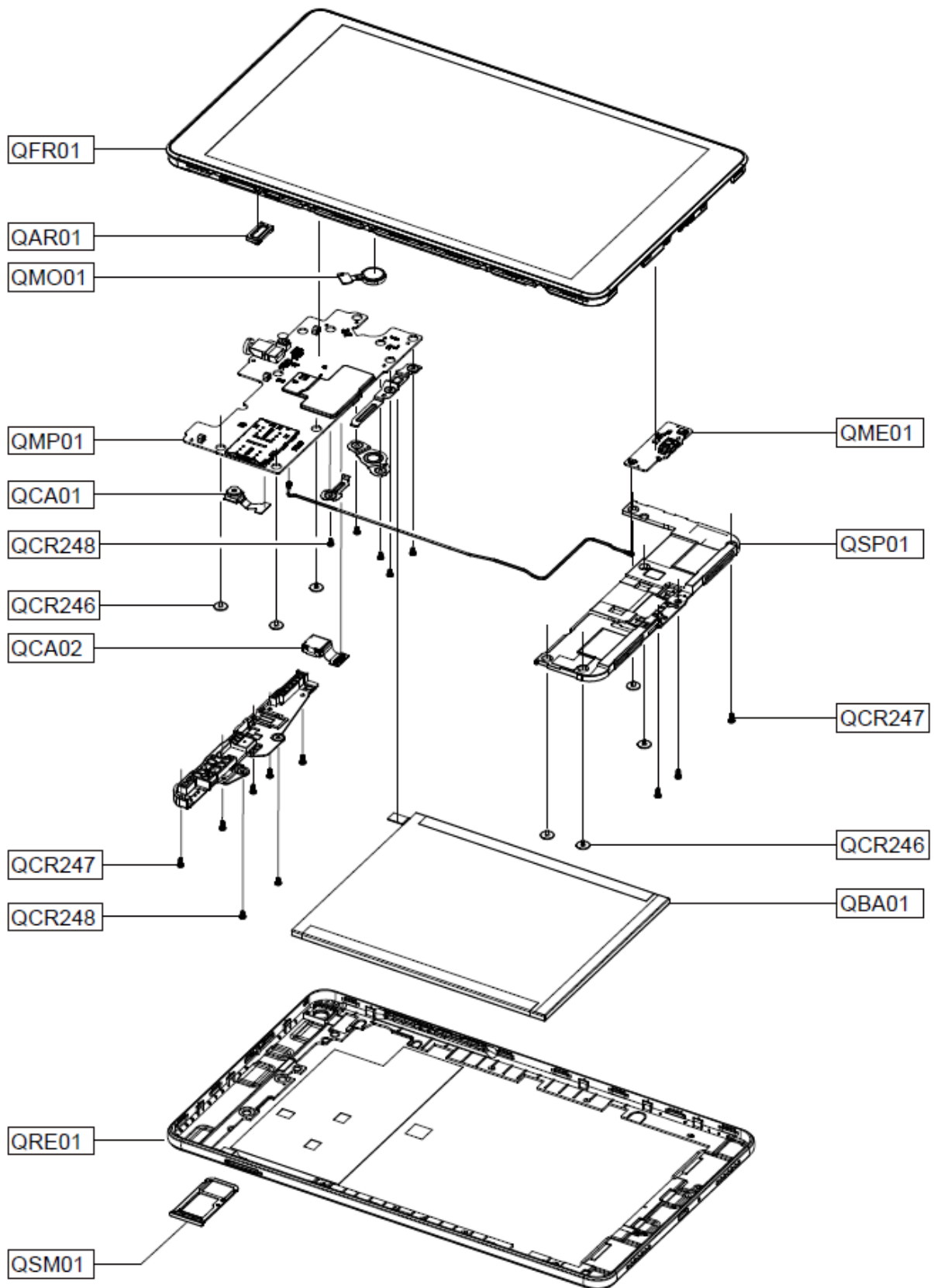

4. Exploded View and Parts List

4-1. Cellular phone Exploded View (SM-T295)



Confidential and proprietary-the contents in this service guide subject to change without prior notice

Distribution, transmission, or infringement of any content or data from this document without Samsung's written authorization is strictly prohibited.

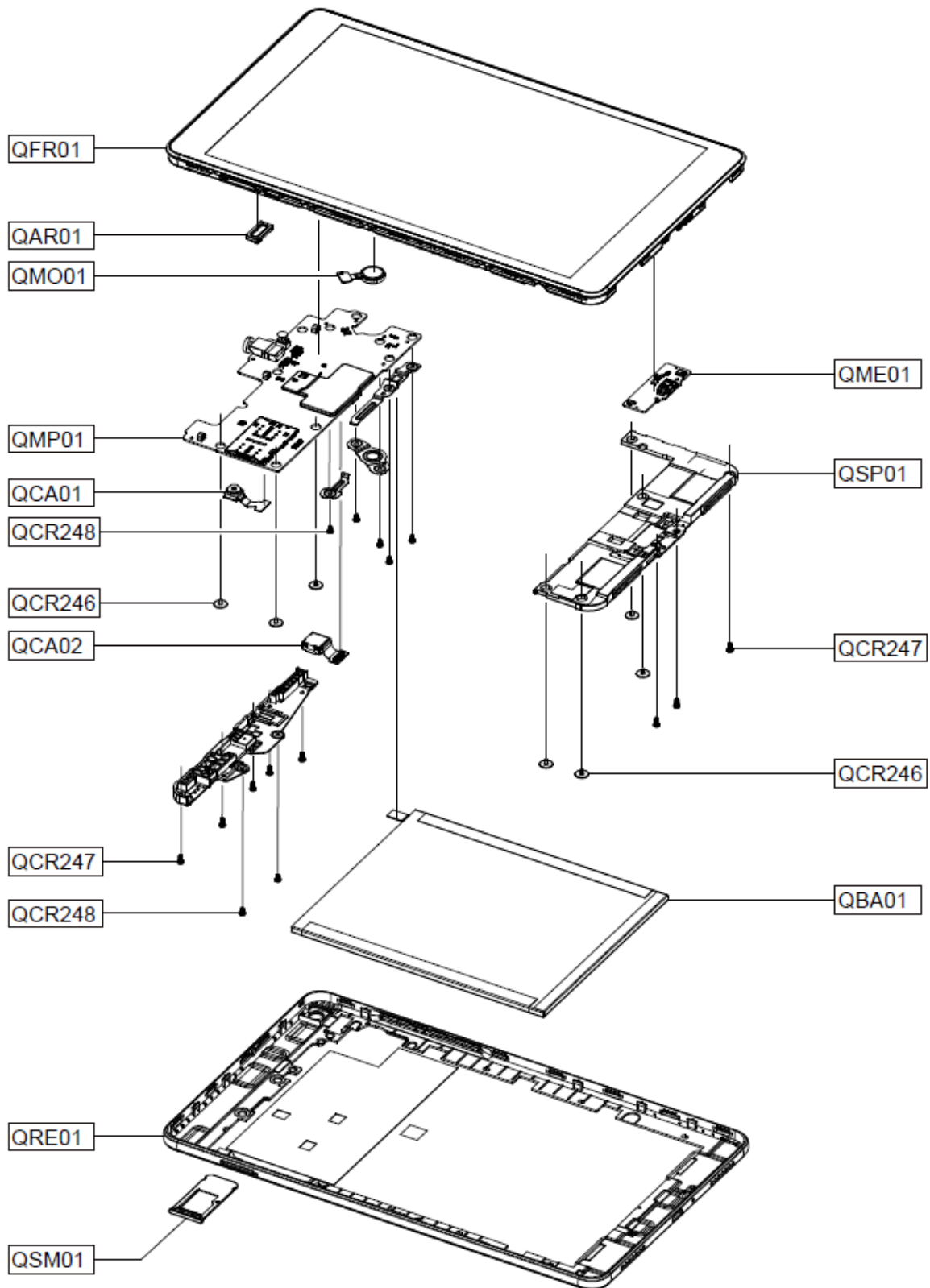
4. Exploded View and Parts List

4-2. Cellular phone Parts list(SM-T295)

Design LOC		Description	SEC CODE
QSP01		A/S-SPEAKER ASSY_SVC;SM-T295,ALLOY,71030	GH81-17127A
QSM01		A/S-SIM_TRAY_(BLK)_SVC;SM-T295,PLASTIC,7	GH81-17147A
QRE01		A/S-SVC REAR_ZK_SM-T295_TAIWAN ONLY;SM-T	GH81-17342A
QMP01		A/S-SVC PBA MAIN(COMM/LTE),ROW,SVC;SM-T2	GH81-17184A
QMO01		A/S-VIBRATOR_MOTOR_SVC;SM-T295,ALLOY,710	GH81-17128A
QME01		A/S-SVC SUB PBA_SM-T295,SVC;SM-T295,7152	GH81-17188A
QFR01		A/S-OCTA ASSY(E/BLK);SM-T295,SVC	GH81-17178A
QCR248		A/S-SCREW_M1.4X2.0X2.5X0.5.0.3PTH_SVC;SM	GH81-17137A
QCR247		A/S-SCREW_M1.4X3.0X2.5X0.5.0.3PTH_SVC;SM	GH81-17136A
QCR246		A/S-SCREW_M1.4X2.0X5.5X0.5.0.3PTH_SVC;SM	GH81-17135A
QCB01		A/S-COXIAL_CABLE_SVC;SM-T295,ALLOY,71530	GH81-17146A
QCA02		A/S-CAMERA REAR_SVC;SM-T295,ALLOY,710200	GH81-17124A
QCA01		A/S-CAMERA_FRONT_SVC;SM-T295,ALLOY,71020	GH81-17125A
QBA01		A/S-BATTERY ATL2798B7_SVC;SM-T295,LI-ION	GH81-17145A
QAR01		A/S-RECEIVER_SVC;SM-T295,ALLOY,710422100	GH81-17126A

4. Exploded View and Parts List

4-1. Cellular phone Exploded View (SM-T290)



4. Exploded View and Parts List

4-2. Cellular phone Parts list (SM-T290)

Design LOC	Description	SEC CODE
QSP01	A/S-SPEAKER ASSY_SIFI;SM-T290,7103020000	GH81-17230A
QSM01	A/S-A/S-SIM TRAY (SIL) WIFI;SM-T290,7153	GH81-17233A
QRE01	A/S-SVC REAR_ZS_SM-T290_CHINA ONLY;SM-T2	GH81-17316A
QMP01	A/S-PBA MAIN(WIFI)SM-T290/3 32,CHN,SVC;S	GH81-17281A
QMO01	A/S-VIBRATOR MOTOR SVC;SM-T295,ALLOY,710	GH81-17128A
QME01	A/S-SVC SUB PBA SM-T290,WIFI;SM-T290,715	GH81-17229A
QFR01	A/S-OCTA ASSY(E/SIL);SM-T290,WIFI;SM-T29	GH81-17228A
QCR248	A/S-SCREW M1.4X2.0X2.5X0.5.0.3PTH SVC;SM	GH81-17137A
QCR247	A/S-SCREW M1.4X3.0X2.5X0.5.0.3PTH SVC;SM	GH81-17136A
QCR246	A/S-SCREW M1.4X2.0X5.5X0.5.0.3PTH SVC;SM	GH81-17135A
QCA02	A/S-CAMERA REAR SVC;SM-T295,ALLOY,710200	GH81-17124A
QCA01	A/S-CAMERA FRONT SVC;SM-T295,ALLOY,71020	GH81-17125A
QBA01	A/S-BATTERY ATL2798B7 SVC;SM-T295,LI-ION	GH81-17145A
QAR01	A/S-RECEIVER SVC;SM-T295,ALLOY,710422100	GH81-17126A