
[WD5000T] WD10T534DBW/EY EXPLODED VIEWS AND PARTS LIST

[MATERIAL CODE STANDARDS]

Material codes and names and their respective naming rules are managed in accordance with the prescribed standards. Please refer to these standards when requesting a material.

1. Material Code Type

● : Number

■ : Letter (Alphabet)

Type 1	● ● ● ● - ● ● ● ● ● ● ex) 0204-000418 FREON	Enterprise-wide parts Type 1 materials can be used for all Samsung Electronics products. (Most electrical parts belong to this type.)
Type 2	■ ■ ● ● - ● ● ● ● ● ■ ex) DC96-01390A ASSY-CONTROL	Division-wide parts (DC**-Washing machine) Type 2 materials can be used for specific products. (Most instruments and tools belong to this type.)

2. Ass'y Materials

All ass'y material codes start with DC9*.

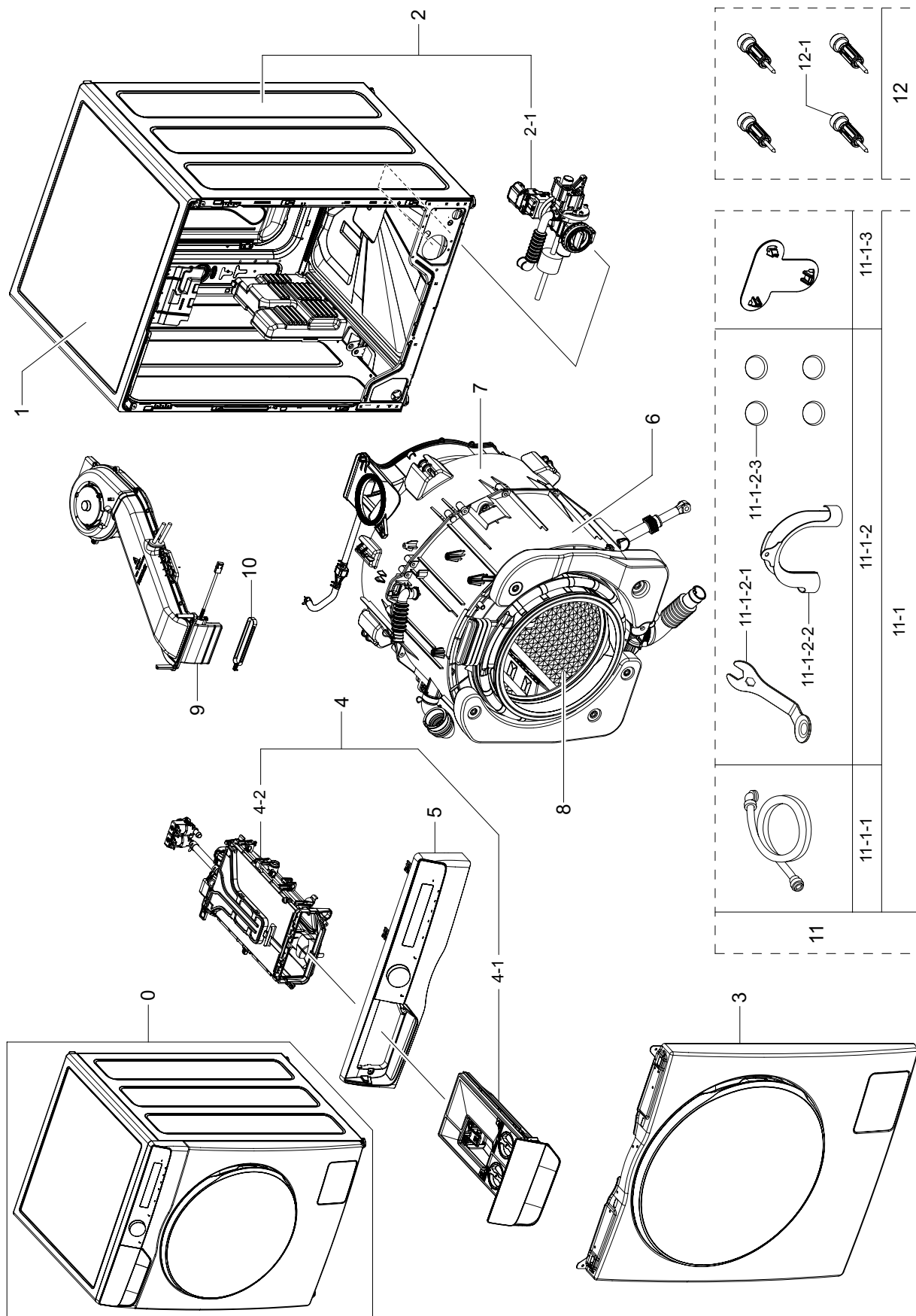
An ass'y material is created by combining more than two materials. If a requested material cannot be provided, you can request an ass'y material that contains that material.

3. For information about purchasing parts and tool, please visit <http://www.samsung.com/support>

4. The part that is assigned as SA (service available) will be able to purchase.

The part that is assigned as SNA (service not available) will not supply, in result, not available in the market.

1. MAIN (WD10T534DBW/EY)

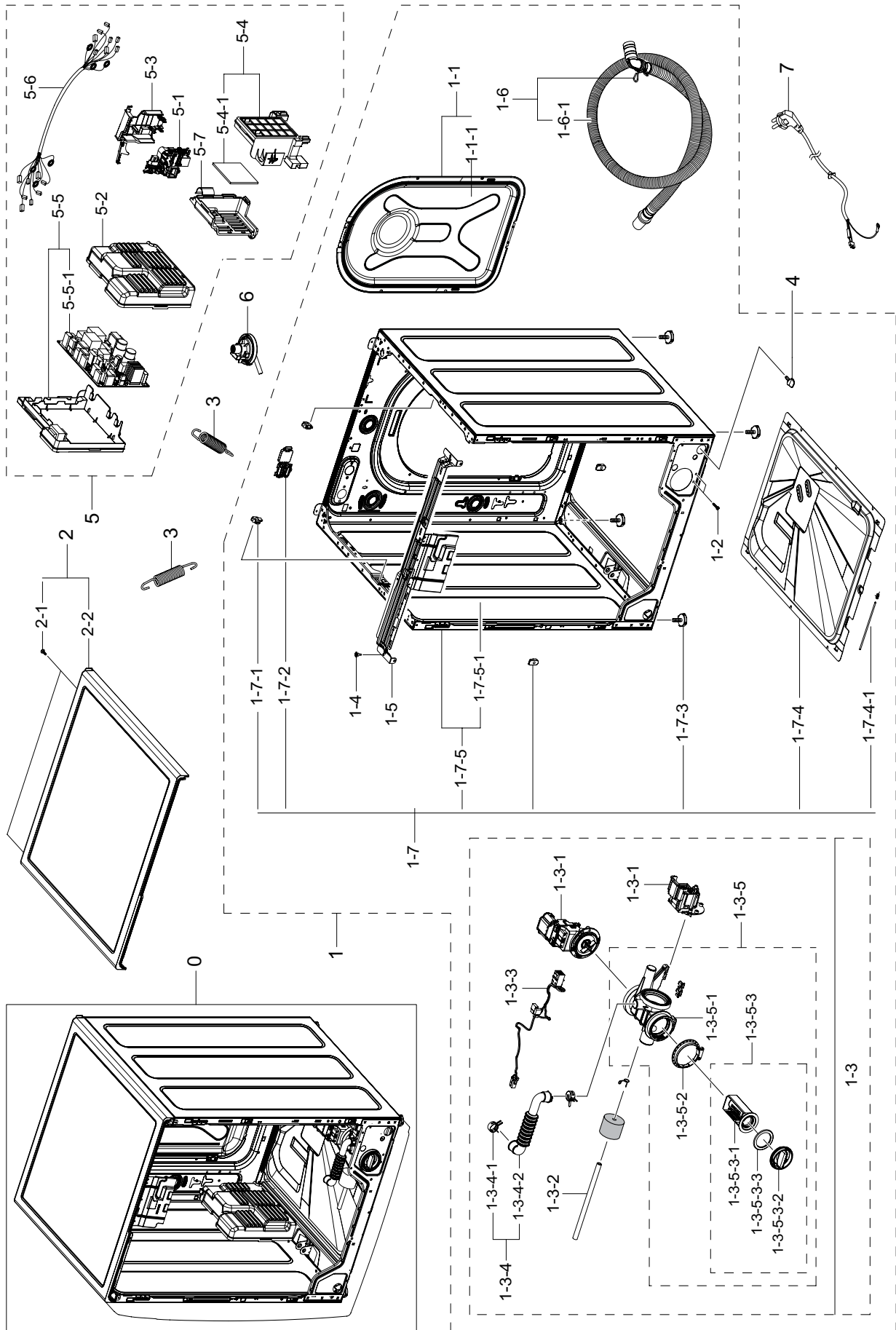


MODEL CODE (WD10T534DBW/EY)

Service Bom (SA: SERVICE AVAILABLE, SNA: SERVICE NOT AVAILABLE)

Drawing No.	Code No.	Description	Specification	QTY	Un	SA/SNA
0	WD90T534DBN/S1	ASSY-WASHING MACHINE	WD5000T			
1	DC90-28603D	ASSY COVER TOP PARTS	WD90T654DBH/S1	1	PC	SNA
2	DC90-28603C	ASSY FRAME PARTS	WD90T654DBH/S1	1	PC	SNA
2-1	DC97-15696R	ASSY PUMP DRAIN	WW6000T,WD90T654DBH/S1,2	1	PC	SNA
3	DC90-28637R	ASSY FRONT PARTS	WD90T634DBH/S3	1	PC	SNA
4	DC90-28637V	ASSY DRAWER PARTS	WD90T534DBW/S1	1	PC	SNA
4-1	DC97-22235B	ASSY DRAWER-MODULE	WW7000T AOW,WHITE- WH	1	PC	SNA
4-2	DC97-22238J	ASSY HOUSING DRAWER-MODULE	WW5000T,WD90T	1	PC	SNA
5	DC90-29614J	ASSY PANEL CONTROL PARTS	WD5000T,WD10T53	1	PC	SNA
6	DC90-28637X	ASSY TUB FRONT PARTS	WD90T534DBW/S1	1	PC	SNA
7	DC90-28603G	ASSY TUB BACK PARTS	WD90T654DBH/S1	1	PC	SNA
8	DC90-30962A	ASSY DRUM PARTS	WD4000T,WD11T4046BX/AX	1	PC	SNA
9	DC93-00341C	ASSY DUCT SCROLL	WD7000J,9KG,220V	1	PC	SA
10	DC66-00782A	JOINT DIAPHRAGM	EGI-SECC,T1.0	1	PC	SA
11	DC90-28637Q	ASSY ACCESSORY PARTS	WD90T634DBH/S3	1	PC	SNA
11-1	DC98-04384G	ASSY ACCESSORY	WD90T634DBH/S3	1	PC	SNA
11-1-1	DC97-16921A	ASSY HOSE WATER	WA5700J	1	PC	SC
11-1-2	DC98-04384B	ASSY ACCESSORY	U-PJT HEBA 63,WD90T654DBH	1	PC	SNA
11-1-2-1	DC60-00104A	FASTENER-BOLT	ALL,CR-SPCC,T2,L113.5	1	PC	SA
11-1-2-2	DC62-10278A	HOSE HANGER	PUMP MODEL,PP,ID27,T1.5,HS95	1	PC	SA
11-1-2-3	DC67-00307A	CAP-FIXER	WF438AAC/XAA,PP,T1.5,-,RM60,BL	5	PC	SA
11-1-3	DC67-00208B	CAP-FIXER	WF8602NHS/XFA,PP,T1.5,COPO,BLA	1	PC	SA
12	DC97-14794C	ASSY FIXER TUB	-,SCOUT,-,-,-,-	5	PC	SA
12-1	DC60-60044B	WASHER PLAIN	WW65R20GLSW/TL,SWRCH18A,T2	5	PC	SA

2. ASSY FRAME & COVER PARTS (WD10T534DBW/EY)



MODEL CODE (WD10T534DBW/EY)

Service Bom (SA: SERVICE AVAILABLE, SNA: SERVICE NOT AVAILABLE)

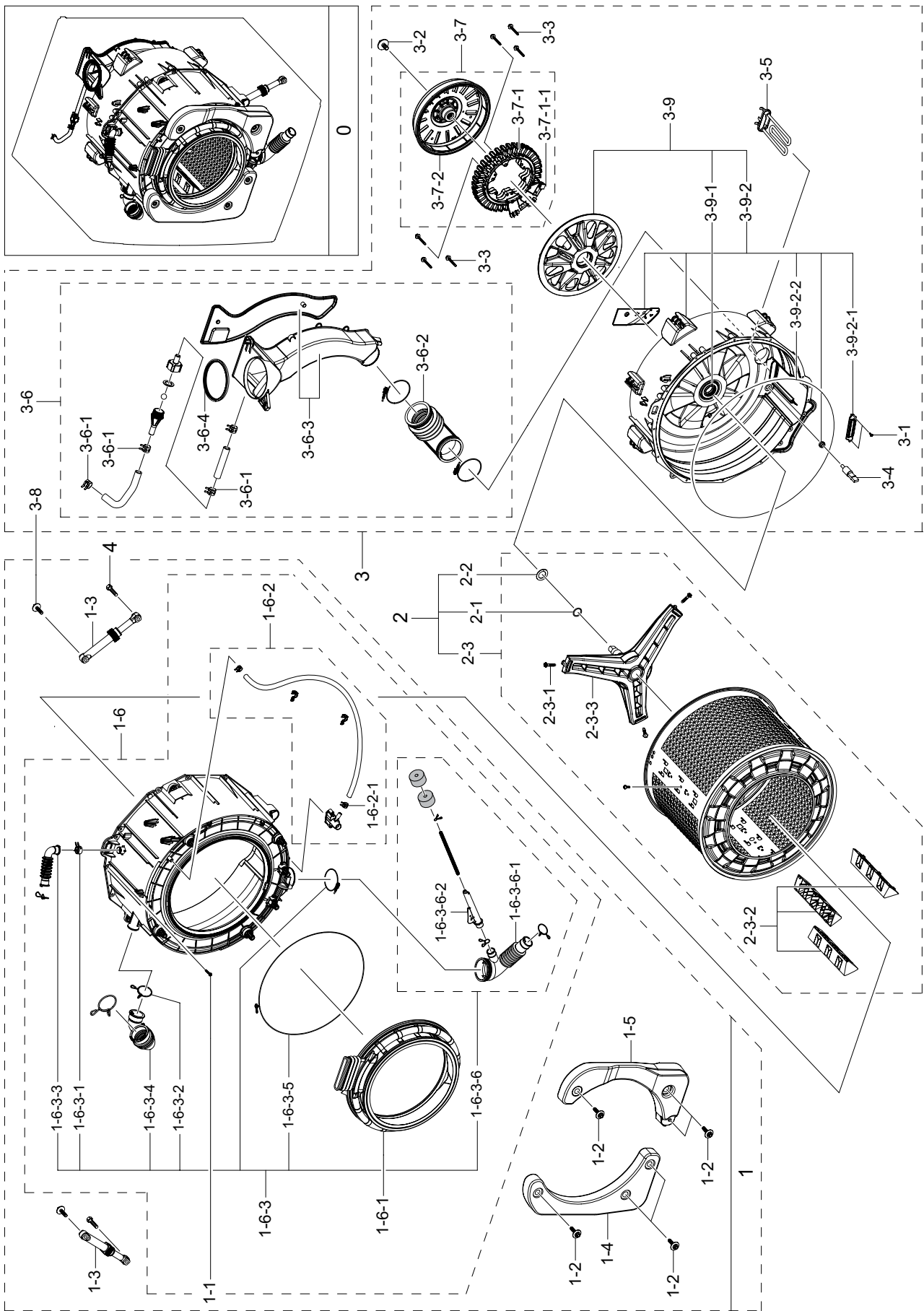
Drawing No.	Code No.	Description	Specification	QTY	Un	SA/SNA
0		ASSY FRAME & INNER PARTS	WD5000T	1		
1	DC90-28603C	ASSY FRAME PARTS	WD90T654DBH/S1	1	PC	SNA
1-1	DC97-17948B	ASSY COVER BACK	AEGIS	1	PC	SA
1-1-1	DC63-00862C	COVER BACK	WF8600NMW,GI-SGCC,T0.35,W352,L558.7,NATURAL	1	PC	SA
1-2	DC97-14006C	ASSY SCREW	GRIFFIN-PJT,WF9904RWE,SWRCH18A,M4*L16	2	PC	SNA
1-3	DC97-15696R	ASSY PUMP DRAIN	WW6000T,WD90T654DBH/S1,2	1	PC	SNA
1-3-1	DC31-00181A	MOTOR AC PUMP	Drum&Auto,B15-6A/S3019/S30	2	PC	SA
1-3-2	DC67-00244C	HOSE DRAIN	WF0804Y8E,EPDM,ID6,OD11,T2.5,	1	PC	SA
1-3-3	DC96-01567C	ASSY WIRE HARNESS	"AEGIS 3- PJT,WF0702WKN/XSC,220V,50Hz,7kg,1200RPM,PUMP WIRE"	1	PC	SA
1-3-4	DC97-19905A	ASSY HOSE PUMP	DRUM	1	PC	SA
1-3-4-1	DC61-00158A	CLAMPER HOSE	SW65ASP,SK5,ID23,T0.8,-,-,-,-	2	PC	SA
1-3-4-2	DC67-00461A	HOSE AIR TUB	SCOUT- PJT,EPDM,T1.5,BLACK	1	PC	SA
1-3-5	DC97-19914A	ASSY CASE FILTER	BUBBLE	1	PC	SA
1-3-5-1	DC61-02271B	CASE PUMP	"WF0804Y8E/XEF,PP,T2.5,W153.6,L133.2,WHITE,2WAY"	1	PC	SA
1-3-5-2	DC69-01128A	PACKING-PUMP	WF8804DP,IIR,BUTYL,T2.5,HEBA-PJT,BLK	1	PC	SA
1-3-5-3	DC97-15695C	ASSY FILTER	Heba,WF9904CWN1	1	PC	SA
1-3-5-3-1	DC63-00998A	FILTER PUMP	SCOUT-PJT,PP,W52.8,L93.1,NEAT WHITE,BUBBLE	1	PC	SA
1-3-5-3-2	DC64-02783A	HANDLE FILTER	WF350ANW/XAA,PP,T2.3,W63.8,NATURAL,BIG_HANDLE-FILTER	1	PC	SA
1-3-5-3-3	DC73-00022A	SEAL PACKING	SEW-HVR149ATA,EPDM,BLK,-	1	PC	SA
1-4	DC97-15858A	ASSY SCREW	trumph-PJT,WF-F1061/YLP,SWRCH18A	2	PC	SNA
1-5	DC97-22408A	ASSY FRAME PLATE-UP	WD5000T,T1.4,HEBA	1	PC	SA
1-6	DC97-20913A	ASSY HOSE DRAIN(O)	WW7800M 1600RPM,WW90M	1	PC	SA
1-6-1	DC62-10022G	HOSE PUMP	SWF-P12,PP,LIGHT GRAY	1	PC	SNA
1-7	DC97-22333A	ASSY FRAME-MODULE	WW6000T,-WD90T654DBH/S	1	PC	SA
1-7-1	DC61-02065A	GUIDE SPRING	WF448AAG/XXA,POM,T4,W24,L36.8,WHITE	2	PC	SA
1-7-2	DC63-02181B	COVER CONNECTOR	PP,T2,HB,BLACK,RECYCLE PP,BLACK	1	PC	SA
1-7-3	DC97-00920W	ASSY LEG	WW6000T,WD90T654DBH/S1,48.5,M10,1.5,BUTYL	4	PC	SA
1-7-4	DC97-17247A	ASSY COVER BOTTOM	SEINE COMBO,WD906U4SAG	1	PC	SA
1-7-4-1	DC64-00564A	HANDLE PIN	WF602U2BKWQ/SC,STS304	2	PC	SA
1-7-5	DC97-17253K	ASSY FRAME	WW6000T,WD90T654DBH/S1,GA-SGC	1	PC	SNA
1-7-5-1	DC61-03419F	FRAME	WD90T654DBH/S1,GA-SGCC,T0.7	1	PC	SNA

MODEL CODE (WD10T534DBW/EY)

Service Bom (SA: SERVICE AVAILABLE, SNA: SERVICE NOT AVAILABLE)

Drawing No.	Code No.	Description	Specification	QTY	Un	SA/SNA
2	DC90-28603D	ASSY COVER TOP PARTS	WD90T654DBH/S1	1	PC	SNA
2-1	6002-001438	SCREW-TAPPING	HWH,+,NO,1,M5,L12,ZPC(WHT),SWR CH18A,SEPERATOR	2	PC	SNA
2-2	DC97-18679N	ASSY COVER TOP-MODULE	WD7000T(HEBA-63),D	1	PC	SA
3	DC61-02029B	SPRING ETC-HANGER	HEBA 7kg,HSWR,CD3.5,OD26.2,L159,RED	2	PC	SA
4	DC61-10673C	CAP DRAIN	WF1802XEY/XSC,PP,NATURAL	1	PC	SA
5	DC92-03058E	ASSY COVER PCB W/ HARNESS	WD10T534DBW/EY	1	PC	SNA
5-1	DC34-00028B	SWITCH DOOR LOCK	AC250V,16A,SOLENOID,DOO	1	PC	SA
5-2	DC63-02598A	COVER PBA	WW6000T(F500E-SSEC),ABS,T2.5,5VA, NATURAL,VE-0858	1	PC	SA
5-3	DC63-02602A	COVER DOOR SWITCH	WW6000,PP,T2.5,5VA,NATURAL,FH4 4N	1	PC	SA
5-4	DC92-02665A	ASSY PCB KIT	FWM_INV,COMBO MODULE, 121x80mm, Free voltage,24Vdc,60W,motor direction UWV,Y,SMPS,Standard	1	PC	SA
5-4-1	DC92-02664A	ASSY PCB MAIN	FWM_INV,COMBO MODULE,121x80mm, Free voltage,24Vdc,60W,Motor direction UWV,Y,SMPS,Standard	1	PC	SNA
5-5	DC92-02700G	ASSY HOLDER PCB	U-PJT,WD5000T,D3+9B4D,Y,	1	PC	SA
5-5-1	DC94-12010A	ASSY PCB EEPROM	D3+954D,U-PJT,WD10T534D	1	PC	SNA
5-6	DC93-00894J	ASSY WIRE HARNESS-MAIN	DRUM-M,WD90T534DB	1	PC	SA
5-7	DC63-02624A	COVER PBA	WW6000T(24" DRUM COMBO PLATFOR	1	PC	SA
6	DC96-01703G	SENSOR PRESSURE	Air,5V,L0,400mmH2O	1	PC	SA
7	DC39-00070A	POWER CORD-AT	H05VV-F 3x1.5mm2,GRY,IT3S-	1	PC	SA

3. ASSY TUB & DRUM PARTS (WD10T534DBW/EY)



MODEL CODE (WD10T534DBW/EY)

Service Bom (SA: SERVICE AVAILABLE, SNA: SERVICE NOT AVAILABLE)

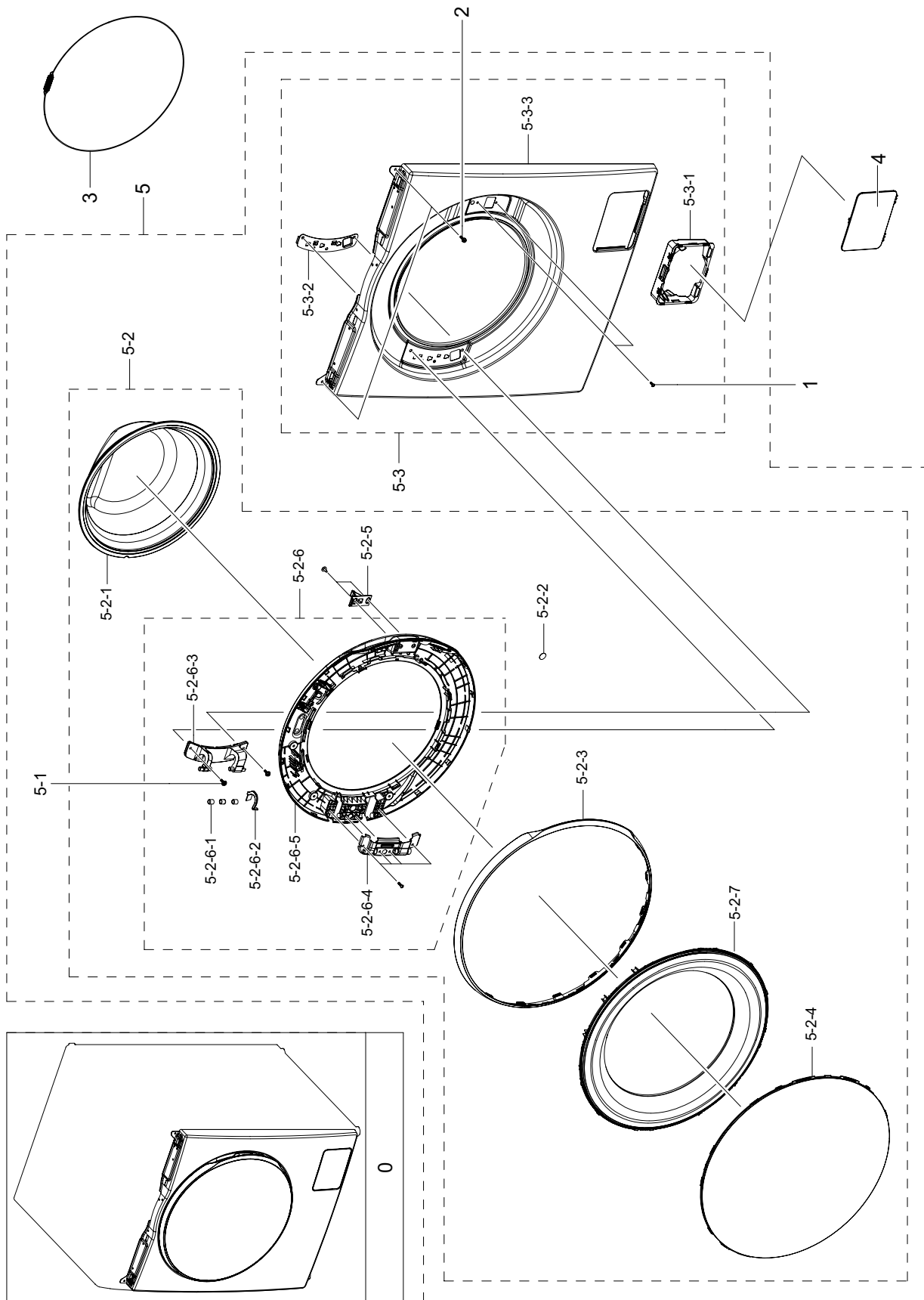
Drawing No.	Code No.	Description	Specification	QTY	Un	SA/ SNA
0		ASSY TUB & DRUM PARTS	WD5000T	1		
1	DC90-28637X	ASSY TUB FRONT PARTS	WD90T534DBW/S1	1	PC	SNA
1-1	6009-001367	BOLT-HEX	M6.5,L32,ZPC(WHT),SWRCH18A,HWH Head	16	PC	SNA
1-2	6011-003934	BOLT-HEX	M7.6,L48,ZPC(WHT),SCM 35,WASHER	3	PC	SA
1-2	6011-003934	BOLT-HEX	M7.6,L48,ZPC(WHT),SCM 435,WASHER	3	PC	SA
1-3	DC66-00343K	DAMPER SHOCK	GE24"-PJT,PP,60N,W24,BLACK,1-BUSH	2	PC	SA
1-4	DC97-16008B	ASSY WEIGHT BALANCER-LEFT	WW6500K,WW85K5	1	PC	SA
1-5	DC97-18524B	ASSY WEIGHT BALANCER-RIGHT	WW6500K,WW85K	1	PC	SA
1-6	DC97-18841K	ASSY SEMI TUB FRONT	WD5500K,WD90K5410OW/	1	PC	SA
1-6-1	DC64-03235B	DOOR DIAPHRAGM	WD5000J,EPDM,T1.5,LIGHT GRAY,without nozzle	1	PC	SA
1-6-2	DC97-15993A	ASSY HOSE CIRCULATION	"SCOUT,WF0804Y8E,EPDM,L703,OD 14.5,BLACK"	1	PC	SA
1-6-2-1	DC65-00008B	CLAMPER HOSE	SSEC-GE,SK5,Dacromet,T1.0	2	PC	SA
1-6-3	DC97-16478J	ASSY TUB FRONT	SEINE COMBO,WD856UHSASD	1	PC	SNA
1-6-3-1	DC61-00158A	CLAMPER HOSE	SW65ASP,SK5,ID23,T0.8,-,-,-,-	1	PC	SA
1-6-3-2	DC65-60118R	CLIP RING	AEGIS-PJT,HSWR-SWRH,T3.0,ID37	1	PC	SA
1-6-3-3	DC67-00298A	HOSE AIR	HEBA PJT,EPDM,T2.5,BLACK	1	PC	SA
1-6-3-4	DC67-00674A	HOSE DRAWER TUB	"SEINE COMBO,EPDM,ID34.9,OD48.0 ,T2.0,BLACK,SEINE COMBO"	1	PC	SA
1-6-3-5	DC91-12077G	ASSY CLAMP DIAPHRAGM	AEGIS,WF8500NHW/YLP	1	PC	SA
1-6-3-6	DC97-14637G	ASSY HOSE PRESSURE	SCOUT COMBO,WD0804W8N1	1	PC	SA
1-6-3-6-1	DC67-00293A	HOSE FILTER TUB	HEBA-PJT,EPDM,T2.5,BLACK	1	PC	SA
1-6-3-6-2	DC67-00598A	HOSE JOINT AIR	WD0804W8N1/YAH,PP,ID36.2,OD50, T2.5,L131,DARK HOLDER GRAY,PP1205	1	PC	SA
1-6-4	DC61-01932D	TUB FRONT	HEBA PJT,FRPP,NATURAL,8KG/AIR-	1	PC	SA
2	DC90-30962A	ASSY DRUM PARTS	WD4000T,WD11T4046BX/AX	1	PC	SNA
2-1	6044-001172	RING-OG	ID28,OD33,T2.5,BLK,NBR	1	PC	SNA
2-2	DC60-00069A	SPACER	WR-HA139WA,STS304	1	PC	SNA
2-3	DC97-23926A	ASSY DRUM-MODULE	HEBA63-C-WD10T504DBX/BG	1	PC	SA
2-3-1	DC60-40137A	BOLT HEX	MARS-PJT,STS430,M8,P1.25, L30,HEX/ KNURING	3	PC	SA
2-3-2	DC66-00493A	DRUM LIFTER	HEBA PJT,PP,L247.5,TI42,GRAY,7/8KG	3	PC	SA

MODEL CODE (WD10T534DBW/EY)

Service Bom (SA: SERVICE AVAILABLE, SNA: SERVICE NOT AVAILABLE)

Drawing No.	Code No.	Description	Specification	QTY	Un	SA/ SNA
2-3-3	DC97-14370H	ASSY FLANGE SHAFT	WD0804W8N1/YAH	1	PC	SC
3	DC90-28603G	ASSY TUB BACK PARTS	WD90T654DBH/S1	1	PC	SNA
3-1	6002-000445	SCREW-TAPPING	TH,+,NO,2,M4,L18,PASS,STS430	2	PC	SNA
3-2	6011-003728	BOLT-ETC	M12,L32,ZPC2,SWRCH10AK,WSP WASHER, SEAL LOCK	1	PC	SNA
3-3	6011-004528	BOLT-ETC	"M6,L45,ZPC(WHT),HH,SOCKET,SCM 435,P1.0/HEX/WSP"	6	PC	SA
3-4	DC32-00010C	THERMISTOR	WASHER,-10~100,5,5,3.243k ± 2%(60□)	1	PC	SA
3-5	DC47-00033B	HEATER WASH	AC230V,2000W,SUS316L,728mm,N	1	PC	SA
3-6	DC93-00993J	ASSY DUCT CONDENSER	U-PJT COMBO	1	PC	SA
3-6-1	DC65-00008B	CLAMPER HOSE	SSEC-GE,SK5,Dacromet,T1.0	4	PC	SA
3-6-2	DC67-00443A	HOSE CONDENSER	"AEGIS-COMBO,EPDM,ID59,OD73,T2. 5,L155.5,BLACK"	1	PC	SA
3-6-3	DC93-00129B	ASSY S.DUCT CONDENSER	BAIKAL-COMBO,WD702	1	PC	SA
3-6-4	DC62-00859A	SEAL CONDENSER	COMBO,EPDM,-,-,-,-,-,cond	1	PC	SA
3-7	DC93-00751A	ASSY DD BLDC MOTOR	WD6500K,COM800,F,DC310V PWM,Free	1	PC	SNA
3-7-1	DC97-20738A	ASSY STATOR	CDD800	1	PC	SA
3-7-1-1	DC31-00098A	MOTOR BLDC-ASSY HALL SENSOR	COM1300,1200	1	PC	SA
3-7-2	DC97-20739A	ASSY ROTOR	CDD800,GI-SGCD	1	PC	SA
3-8	DC97-14263A	ASSY BOLT	MOTOR/ BOLT(M8)+WASHER(OD27.5),,,,,,	2	PC	SA
3-9	DC97-16462C	ASSY SEMI TUB BACK	Heba PJT,WD0804W8N1/YAH	1	PC	SA
3-9-1	DC62-00008A	SEAL OIL	NBR,-,-,BLACK,-,NBU	1	PC	SNA
3-9-2	DC97-16461C	ASSY TUB BACK	Heba PJT,WD0804W8N1/YAH	1	PC	SNA
3-9-2-1	DC61-02664B	BRACKET HEATER	HEBA,STS430,T0.5	1	PC	SA
3-9-2-2	DC69-01154A	PACKING-TUB	WF8804DP,EPDM,-,-,L1650	1	PC	SA
4	DC60-40144A	BOLT HEX	F500,SM10C,T10,L35,DAMPER	2	PC	SA

4. ASSY FRAME PARTS (WD10T534DBW/EY)

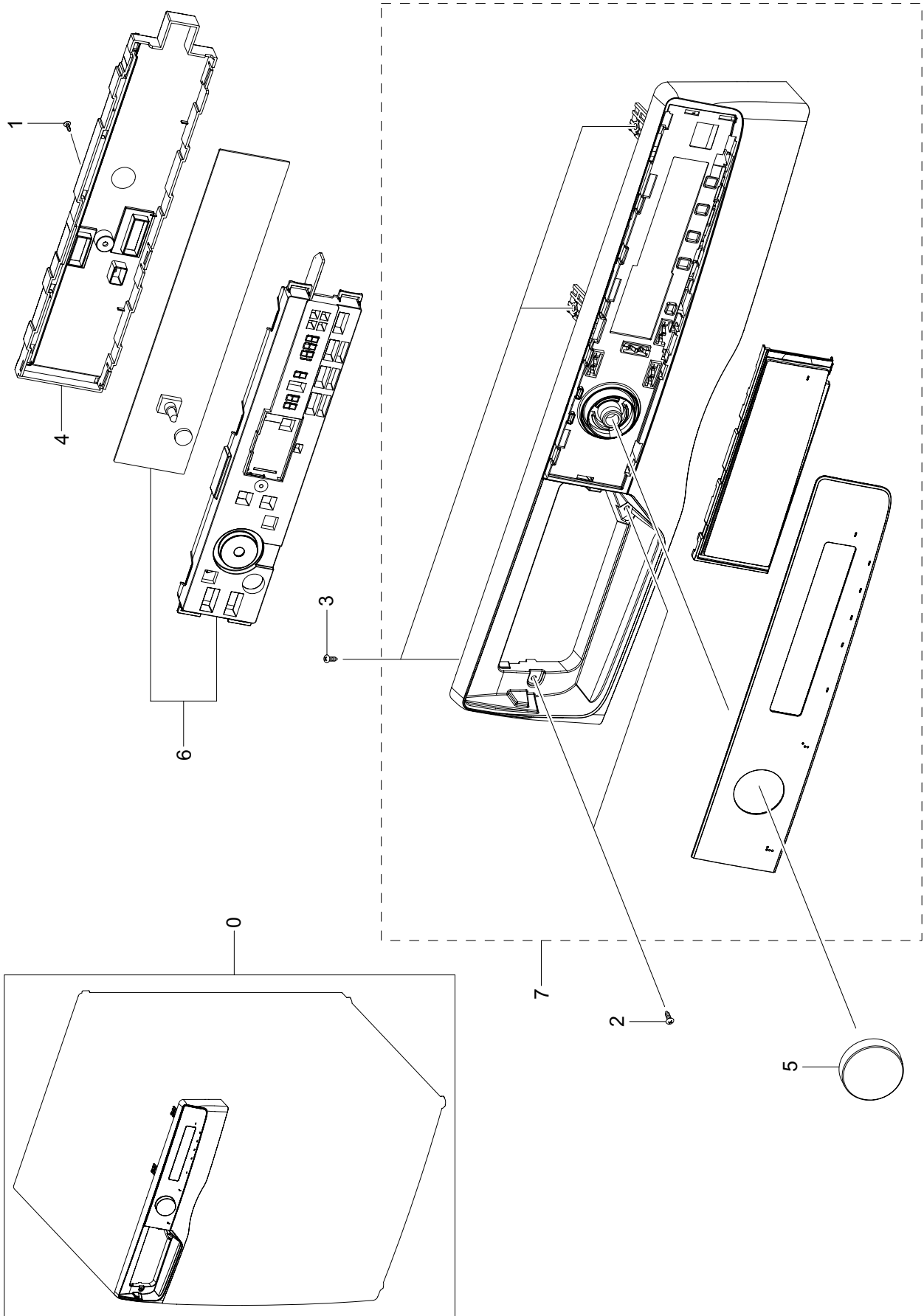


MODEL CODE (WD10T534DBW/EY)

Service Bom (SA: SERVICE AVAILABLE, SNA: SERVICE NOT AVAILABLE)

Drawing No	Code No.	Description	Specification	QTY	Un	SA/SNA
0	DC90-28637R	ASSY FRONT PARTS	WD90T634DBH/S3	1	PC	SNA
1	6002-001554	SCREW-TAPPING	BH,+,No,1,M4,L12,STS430,HEAD SIZE OD8.0	2	PC	SNA
2	6006-001174	SCREW-TAPPING	TH,+,WT,2S,M4,L12,ZPC(WHT),SWRCH 18A	3	PC	SNA
3	DC91-12078E	ASSY WIRE DIAPHRAGM	AEGIS,WF8500NHW/YLP,-,-,-,-	1	PC	SA
4	DC63-02831A	COVER FILTER	U-PJT,ABS,T2.5,DA WHITE,HG-	1	PC	SA
5	DC97-22329F	ASSY FRAME FRONT	WD90T634DBH/S3,WHITE,NO	1	PC	SNA
5-1	6009-001522	SCREW-HEX	HWH,+,M5,L16,PASS,STS430,FP,SEA L- LOCK	2	PC	SA
5-2	DC97-22269E	ASSY DOOR	SU PJT,WW6100A,NON ADD WASHER,	1	PC	SA
5-2-1	DC64-01790A	DOOR GLASS	AEGIS,GLASS,T5,W353.0	1	PC	SA
5-2-2	DC64-03303A	INLAY-DOOR	WD9500J,PET,T0.3,VERSAILLES GRAY,10.8mm	1	PC	SA
5-2-3	DC64-03949A	DECORATION COVER DOOR	DV90T5740BV,ABS,T2.5,EBONY BLACK,EBONY BLACK,BK0018, Hair Line	1	PC	SA
5-2-4	DC64-03953A	DOOR SAFETY	"DV90T5740BV,ABS,T2.5,HB,TX-0510,Grand Blue,TP0107"	1	PC	SA
5-2-5	DC66-00375A	LEVER DOOR	10KG DRUM,ZNDC,T2.5,-,-,-,-,NI COATING	1	PC	SC
5-2-6	DC97-22277C	ASSY HOLDER GLASS	SU PJT,WW6100A,Versail	1	PC	SA
5-2-6-1	DC61-00891A	GUIDE HINGE	HAUZEN(DOM),POM,B,white,HINGE	3	PC	SA
5-2-6-2	DC61-02197A	GUIDE WIRE	WD9500JK,POM,T1,M90-44,NATURAL	1	PC	SA
5-2-6-3	DC61-04131A	HINGE DOOR	WW6/5500K,ALDC,T5	1	PC	SA
5-2-6-4	DC61-04134A	BRACKET HOLDER	WW6/5500K,GI-SGCC,T1.2	1	PC	SA
5-2-6-5	DC61-05193E	HOLDER GLASS	WW6300A,PP+TD30%,T3,VERSAIL	1	PC	SNA
5-2-7	DC63-02608A	COVER GLASS	U-PJT,ABS,T2.5,BLACK CAVIAR,	1	PC	SA
5-3	DC97-22283C	ASSY FRAME FRONT-MODULE	WW8000T,WW90T654	1	PC	SA
5-3-1	DC61-05452A	GUIDE FILTER	WW90T754DBX/S6,PP,T2.5,RM60	1	PC	SA
5-3-2	DC61-01919B	BRACKET HINGE	WW6500K,GI-SGCC,T1.4,N/A	1	PC	SA
5-3-3	DC61-05186A	FRAME FRONT	WW6000,GI-SGCD,DA WHITE,T0.7	1	PC	SA

5. ASSY PANEL CONTROL PARTS (WD10T534DBW/EY)

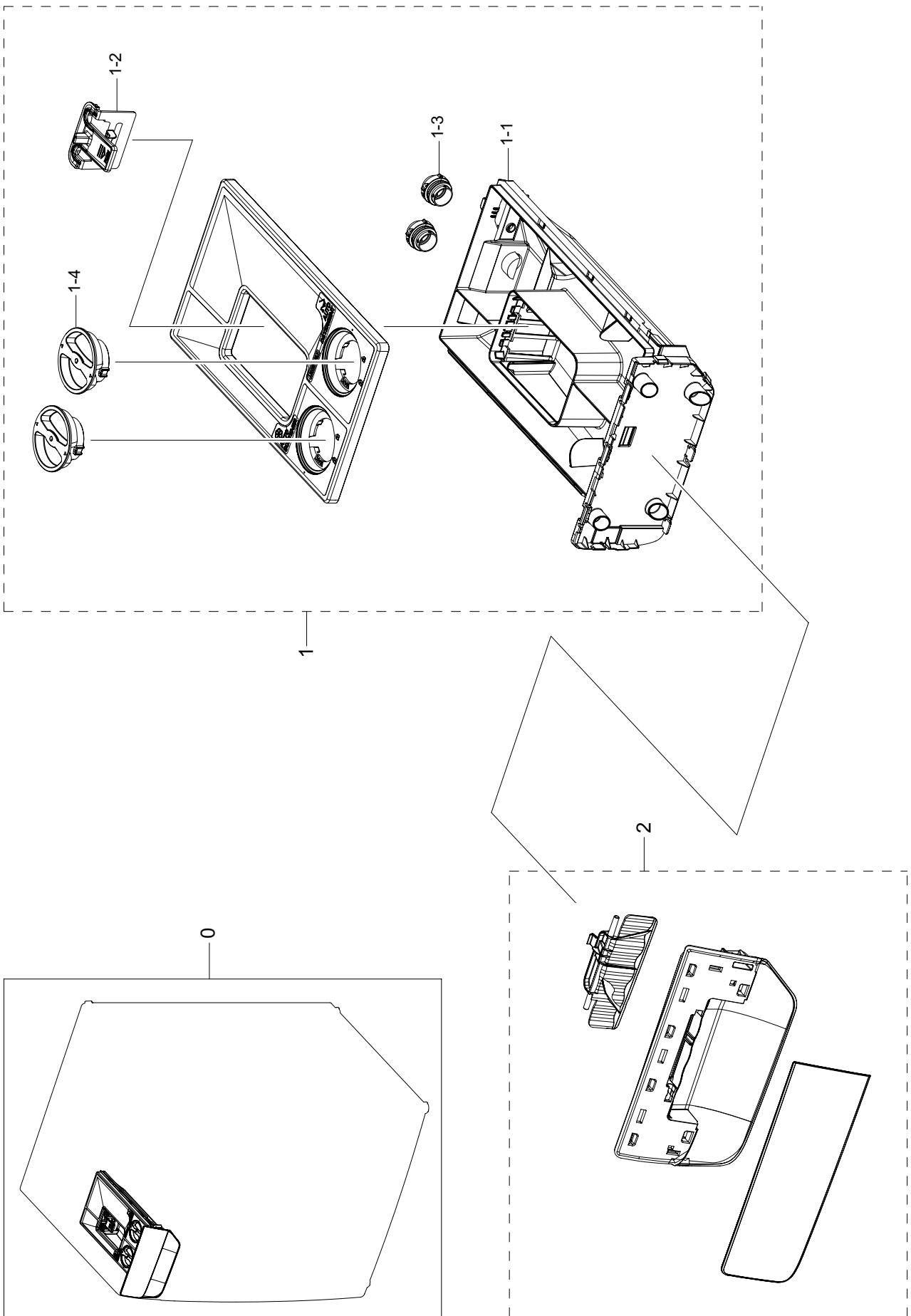


MODEL CODE (WD10T534DBW/EY)

Service Bom (**SA**: SERVICE AVAILABLE, **SNA**: SERVICE NOT AVAILABLE)

Drawing No	Code No.	Description	Specification	QTY	Un	SA/SNA
0	DC90-29614J	ASSY PANEL CONTROL PARTS	WD5000T,WD10T53	1	PC	SNA
1	6002-000213	SCREW-TAPPING	TH,+,1,M4,L12,ZPC(WHT),SWRCH18A	1	PC	SNA
2	6002-000445	SCREW-TAPPING	TH,+,NO,2,M4,L18,PASS,STS430	2	PC	SNA
3	6006-001174	SCREW-TAPPING	TH,+,WT,2S,M4,L12,ZPC(WHT),SW RCH18A	3	PC	SNA
4	DC63-02571A	COVER PCB-SUB	DV90T5740BV,PP,T2,HB	1	PC	SA
5	DC64-03921A	KNOB ENCODER	A1 SIMPLE,ABS,HB,NATURAL, CHROME,MP-0160R,NC0001	1	PC	SA
6	DC92-02642M	ASSY MODULE	FWM_Touch Display,WW5500T,8k	1	PC	SA
7	DC97-22137Y	ASSY PANEL CONTROL-MODULE	U-5000T,WD10T5	1	PC	SA

6.ASSY DRAWER PARTS (WD10T534DBW/EY)

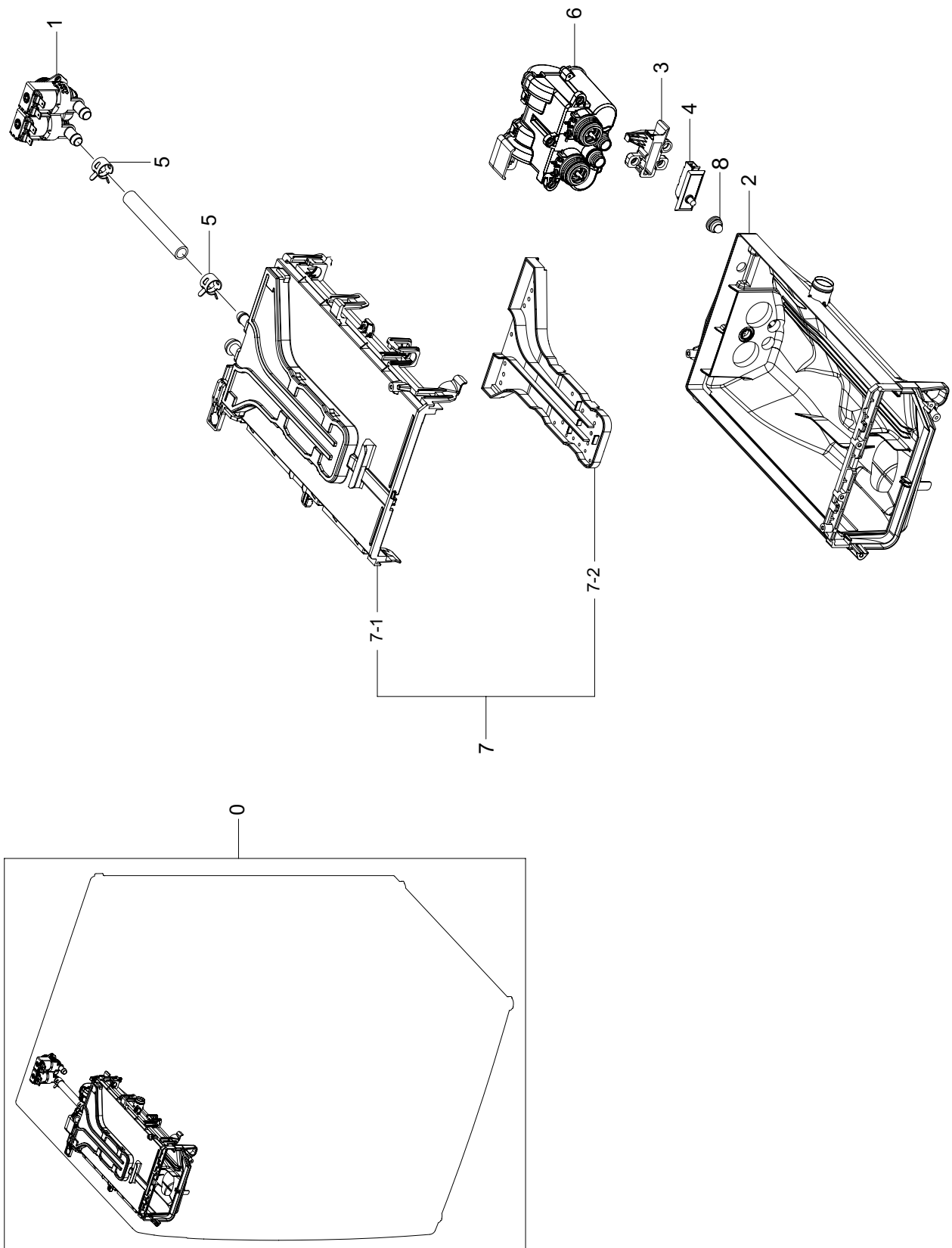


MODEL CODE (WD10T534DBW/EY)

Service Bom (SA: SERVICE AVAILABLE, SNA: SERVICE NOT AVAILABLE)

Drawing No.	Code No.	Description	Specification	QTY	Un	SA/SNA
0	DC97-22235B	ASSY DRAWER-MODULE	WW7000T AOW,WHITE- WH	1	PC	SNA
1	DC97-22236A	ASSY DRAWER	U-PJT,WW7000T,24inch	1	PC	SA
1-1	DC61-05188A	BODY DRAWER	WW8000T,PP,DA WHITE,FC2305	1	PC	SA
1-2	DC67-00928A	CAP GUIDE WATER	"WW8800M,PP,MT43,Honesty Blue Light,BL0141"	1	PC	SA
1-3	DC97-22023B	ASSY CAP V.W	WF65000T	2	PC	SA
1-4	DC67-01107A	CAP	WW8000T,PP,T2,BJ750,COOL WHITE,MASTE	2	PC	SA
2	DC97-22237A	ASSY PANEL DRAWER	U-PJT,WW7000T,AOW (ASD	1	PC	SA

7. ASSY HOUSING DRAWER (WD10T534DBW/EY)

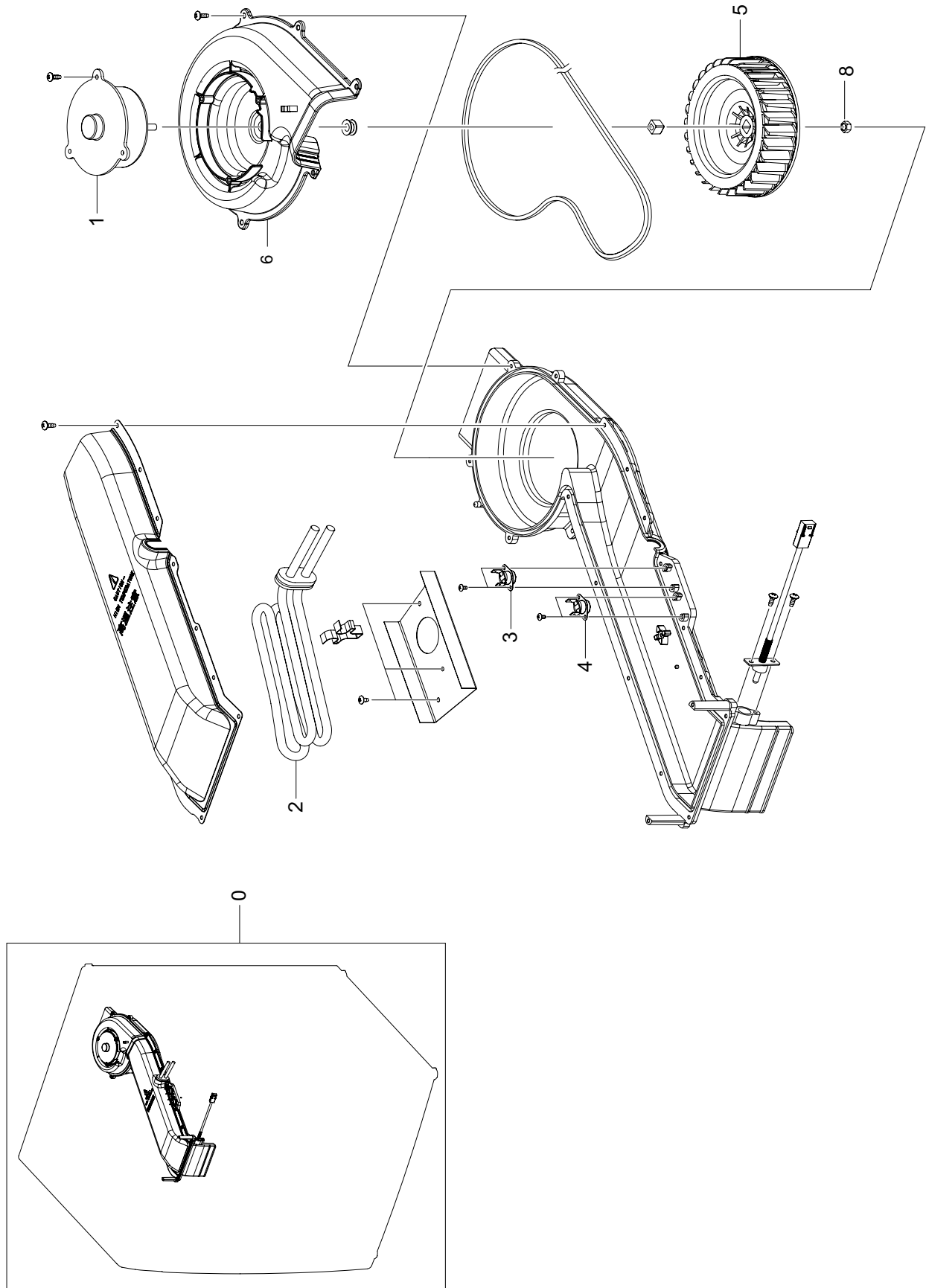


MODEL CODE (WD10T534DBW/EY)

Service Bom (**SA**: SERVICE AVAILABLE, **SNA**: SERVICE NOT AVAILABLE)

Drawing No.	Code No.	Description	Specification	QTY	Un	SA/SNA
0	DC97-22238J	ASSY HOUSING DRAWER	WW5000T,WD90T534DBW/	1	PC	SNA
1	DC33-01010B	VALVE WATER	DC12V,BRACKET,mm,#250,1,2,0.35- 11L/ min	1	PC	SA
2	DC61-05190A	HOUSING DRAWER-LOW	WW8000T,PP,T2,NATURAL,FC2305	1	PC	SA
3	DC63-02160A	COVER DOOR SWITCH	WW10M86DQOO/ EU,PP,NATURAL,NC0001, FC2305	1	PC	SA
4	DC64-00828H	SWITCH DOOR	AC125-250V,0.75-1.5A,1BUTTON	1	PC	SA
5	DC65-00008B	CLAMPER HOSE	SSEC-GE,SK5,Dacromet,T1.0	2	PC	SA
6	DC97-19821C	ASSY PUMP DRAIN	WD9500M,ASD,12V,DC	1	PC	SA
7	DC97-22239A	ASSY S.HOUSING DRAWER	U-PJT,WW7000T,PP,24inch	1	PC	SA
7-1	DC61-05189A	HOUSING DRAWER-UP	WW8000T,PP,T2,NATURAL,FC2305	1	PC	SNA
7-2	DC61-05191A	HOUSING DRAWER-MIDDLE	WW8000T,PP,T1.8,NATURAL,FC2305	1	PC	SNA
8	DC62-00559A	SEAL RUBBER	WW10M86DQOO/EU,Si,-,-,-,-,-,	1	PC	SA

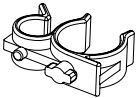

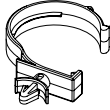
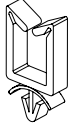
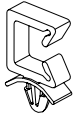
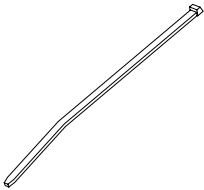
8. ASSY DUCT SCROLL (WD10T534DBW/EY)



MODEL CODE: WD10T534DBW/EYService Bom (**SA**: SERVICE AVAILABLE, **SNA**: SERVICE NOT AVAILABLE)

NO.	Code No.	Description	Specification	QTY	Un	SA/SNA
0	DC93-00341C	ASSY DUCT SCROLL	WD7000J,9KG,220V	1	PC	SA
1	DC31-00032D	MOTOR BLDC FAN	DL-7806SSWC,2700rpm,24V,1.5A,15W	1	PC	SA
2	DC47-00008F	HEATER DRY	AC230V,1600W,INCOLOY800,897mm	1	PC	SA
3	DC47-00016B	THERMOSTAT	AC125/250V,25A,125,- 35,S.O.D,250,PPS,24.5mm	1	PC	SA
4	DC47-00016C	THERMOSTAT	AC125/250V,16A,125,- 35,MANUAL,250,PPS,24.5mm	1	PC	SA
5	DC67-00904A	FAN DRY	PA66,T2.0,AEGIS-COMBO,PA66,PI133,28 TURNS,T2.0	1	PC	SA
6	DC61-02527A	HOUSING FAN-UP REAR	AEGIS-COMBO,PA,T3.0,W185,L195	1	PC	SA
7-1	DC61-02527A	HOUSING FAN-UP REAR	AEGIS-COMBO,PA,T3.0,W185,L195	1	PC	SA
8	6021-001868	NUT-HEXAGON	LEFT HAND SCREW,M6,STS304	1	PC	SA

9. SMALL PARTS (WD10T534DBW/EY)

				
1	2	3	4	5
				
6				

MODEL CODE: WD10T534DBW/EY

Service Bom (SA: SERVICE AVAILABLE, SNA: SERVICE NOT AVAILABLE)

Drawing No.	Code No.	Description	Specification	InstPoint	QTY	Un	SA/SNA
1	DC61-00133A	CLAMPER HOSE-FIX	P1291,PP,HOSE+PLUG,BJ-750	FRM+H- DRAIN+P-CODE	3	PC	SA
2	DC61-00118A	CLAMP-CABLE	P1291,PA66,ID27,OD30,NATURAL,-,-,NC0001	H-DRAIN(O)+ FRAME	1	PC	SA
3	DC61-02879A	HOLDER WIRE	WF8804CPA,PA,L58.6,NATURAL,2110R	FRAME+HOSE(O)	1	PC	SNA
4	DC61-00553B	CABLE CLAMP	DAWS-3NE,PA66,NTR	ASSY PAINT FRAME	1	PC	SNA
5	DC61-00553C	CABLE CLAMP	-,PA66,NTR	ASSY PANEL CONTROL	1	PC	SNA
6	DC65-10001A	CABLE TIE	CT-140,T1.1,W3.5,L145,NTR,NYLON66	HEATER-DRY HARNESS	1	PC	SNA
6	DC65-10001A	CABLE TIE	CT-140,T1.1,W3.5,L145,NTR,NYLON66	C/HEATER+W/HARNESS	1	PC	SNA

8. PARTS LIST (SCREW TYPE)

MODEL CODE (WD10T534DBW/EY)

Service Bom (SA: SERVICE AVAILABLE, SNA: SERVICE NOT AVAILABLE)

Code No.	Description	Specification	QTY	Un	SA/SNA
6001-000115	SCREW-MACHINE	BH,+,M3,L10,ZPC(WHT),SWRCH18A,2S	4	PC	SNA
6002-000213	SCREW-TAPPING	TH,+,1,M4,L12,ZPC(WHT),SWRCH18A	7	PC	SNA
6002-000444	SCREW-TAPPING	TH,+,2,M4,L14,PASS,STS430	11	PC	SNA
6002-000445	SCREW-TAPPING	TH,+,NO,2,M4,L18,PASS,STS430	17	PC	SNA
6002-000520	SCREW-TAPPING	TH,+,2,M4,L12,ZPC(WHT),SWRCH18A	1	PC	SNA
6002-001006	SCREW-TAPPING	TH,+,-,2S,M4,L12,PASS,STS430,-	3	PC	SNA
6002-001279	SCREW-TAPPING	PWH,+,1,M4,L12,PASS,STS430	2	PC	SNA
6002-001320	SCREW-TAPPING	TH,+,NO,2S,M4,L8,PASS,STS304	4	PC	SNA
6002-001327	SCREW-TAPPING	PWH,+,1,M4,L12,ZPC(WHT),SWRCH18A	4	PC	SNA
6002-001436	SCREW-TAPPING	PH,+,2,M4,L18,ZPC(WHT),SWRCH18A	6	PC	SNA
6002-001438	SCREW-TAPPING	HWH,+,NO,1,M5,L12,ZPC(WHT),SWRCH18A,SE PERATOR	2	PC	SNA
6002-001554	SCREW-TAPPING	BH,+,No,1,M4,L12,STS430,HEAD SIZE OD8.0	4	PC	SNA
6003-000226	SCREW-TAPTYPE	TH,+,S,M4,L8,ZPC(WHT),SWRCH18A,-	2	PC	SNA
6003-001768	SCREW-TAPTYPE	TH,+,WT,S,M4,L10,ZPC(WHT),SWRCH18A	3	PC	SNA
6006-001174	SCREW-TAPPING	TH,+,WT,2S,M4,L12,ZPC(WHT),SWRCH18A	40	PC	SNA
6009-001343	SCREW-SPECIAL	PH,TORX,M4,L12,ZPC(WHT),SWRCH18A,1,2B ODY	2	PC	SNA
6009-001522	SCREW-HEX	HWH,+,M5,L16,PASS,STS430,FP,SEAL-LOCK	2	PC	SA
DC97-14006C	ASSY SCREW	GRIFFIN-PJT,WF9904RWE,SWRCH18A,M4*L16	2	PC	SNA
DC97-15858A	ASSY SCREW	trumph-PJT,WF-F1061/YLP,SWRCH18A	2	PC	SNA
DE60-10080A	SCREW-TAPPING	PWH,+,2S,M5,L9,ZPC(WHT),SWRCH18A	2	PC	SNA