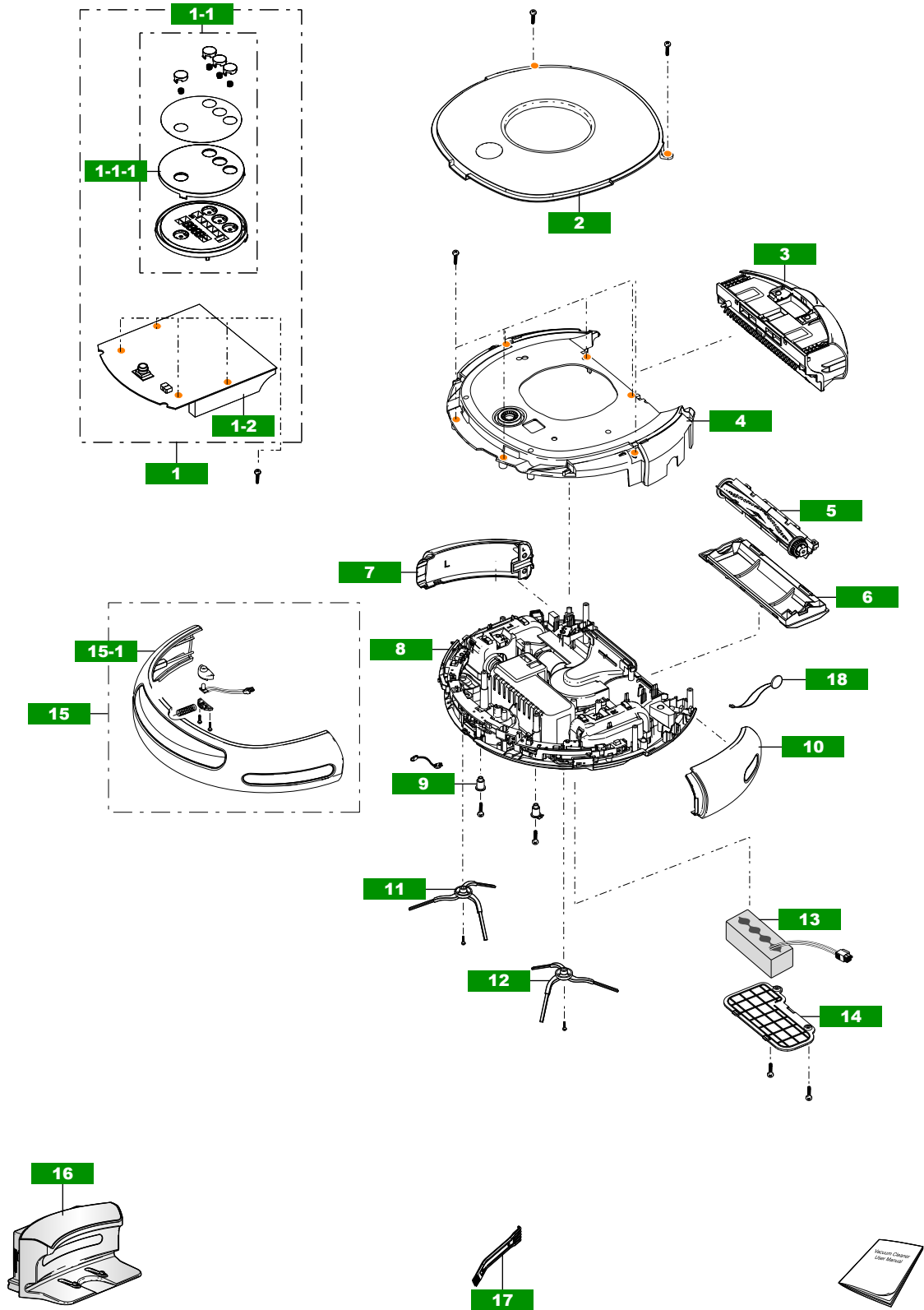


# BODY



"●" is the location of the assembly of the screw (M4-L16).

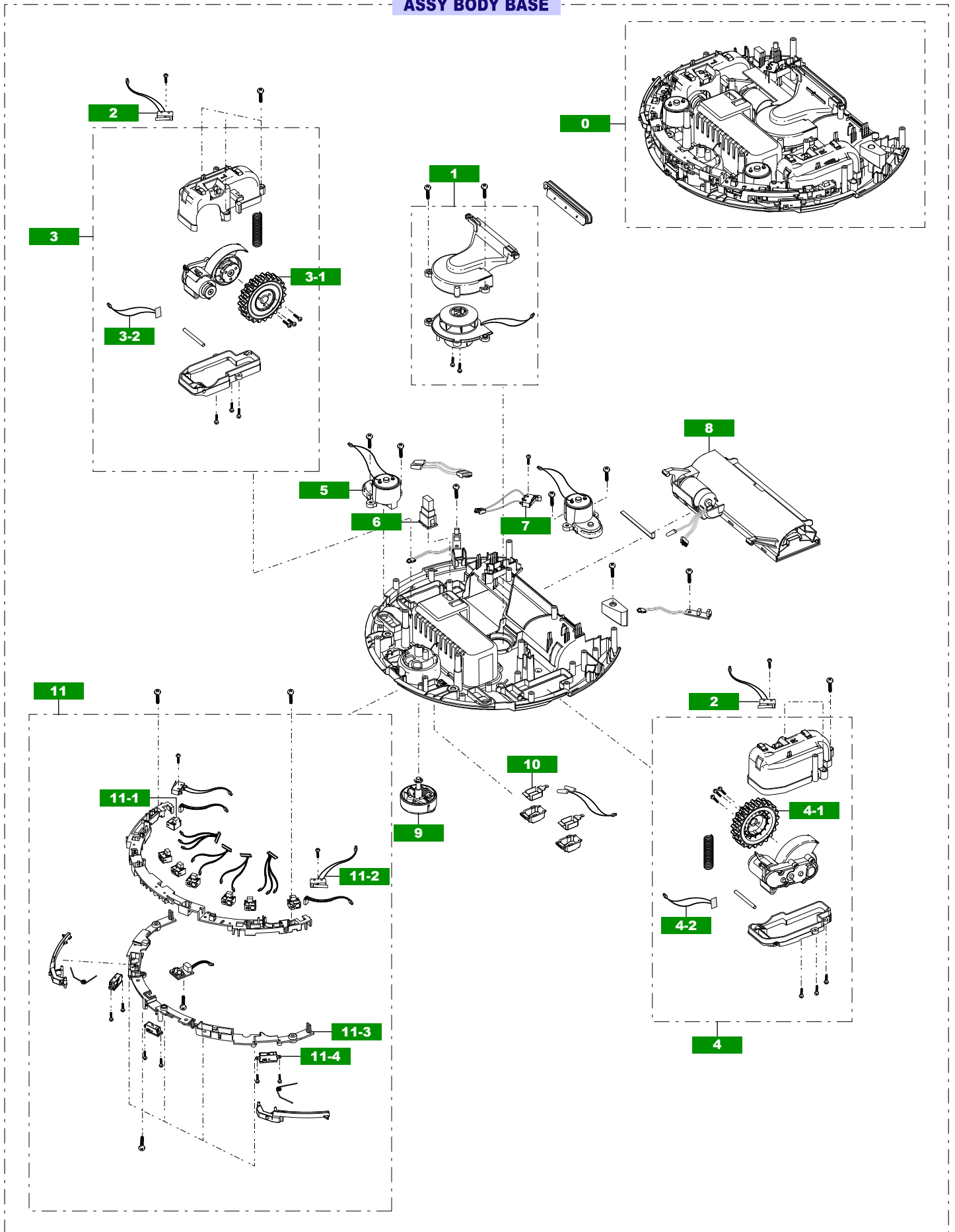
## Model code : VCR8825T3B/XET Parts List

-SA : SERVICE AVAILABLE / SNA : SERVICE not AVAILABLE

### Assembly BODY Parts List

Loc No.	Part Code	Description	Specification	Q'TY	Service	Remarks
1	DJ92-00019E	ASSY PBA MAIN	SR8840,W190/L180,14.4V	1	SA	
1-1	DJ97-01508D	ASSY COVER DISPLAY	SR8840,BUTTON,EXP,ONE	1	SA	
1-1-1	DJ63-00919B	COVER DISPLAY	VCR8845,ABS,TRP-BLK,UV-PLA	1	SA	
1-2	DJ41-00534D	PBA MAIN	VCR8840,REMOCON X,FR-4,W197XL17	1	SA	
2	DJ97-01301J	ASSY PANEL CONTROL	SR8825,SILKY BLUE,2CO	1	SA	
3	DJ97-01287A	ASSY CASE BASKET	AUTOBOT,No,Bagfree	1	SA	
4	DJ97-01291A	ASSY BODY MID	AUTOBOT,-,-,ASSY	1	SA	
5	DJ97-01303A	ASSY DRUM BRUSH	AUTOBOT,ASSY	1	SA	
6	DJ97-01299B	ASSY BASE BRUSH	VC-RA84V,YEL,ASSY	1	SA	
7	DJ97-01327D	ASSY COVER-SIDE L	VC-RA50V,DEEP GRY,ASSY	1	SA	
8	DJ97-01319G	ASSY BODY BASE	VCR8855,DEEP GRY,-,-,LOW-	1	SA	
9	DJ67-00571A	CAP-SCREW	VC-RA84V,ABS,DEEP GRY	2	SA	
10	DJ97-01328D	ASSY COVER-SIDE R	VC-RA50V,DEEP GRY,ASSY	1	SA	
11	DJ97-01329A	ASSY BRUSH-CORNER L	AUTOBOT,-,CORNER BRU	1	SA	
12	DJ97-01330A	ASSY BRUSH-CORNER R	AUTOBOT,-,CORNER BRU	1	SA	
13	DJ96-00113C	ASSY BATTERY	VCR8855,14V,NI-MH,2000mAH,1	1	SA	
14	DJ63-00929A	COVER BATTERY	VC-RA84V,ABS,DEEP GRY	1	SA	
15	DJ97-01307B	ASSY BODY BUMPER	VC-RA50V,DEEP GRY,CIRCL	1	SA	
15-1	DJ97-01306B	ASSY BODY BUMPER-SUB	VC-RA50V,DEEP GRY,I	1	SA	
16	DJ96-00115G	ASSY CHARGER	VCR8855,URBAN GRAPHITE,EXP,	1	SA	
17	DJ98-01002A	ASSY ACCESSORY BROOM	VC-RE70V,BROOM,BLK,	1	SA	
18	DJ97-01427A	ASSY-BUZZER	VCR8840,BUZZER,100mm,12507-0	1	SA	

ASSY BODY BASE



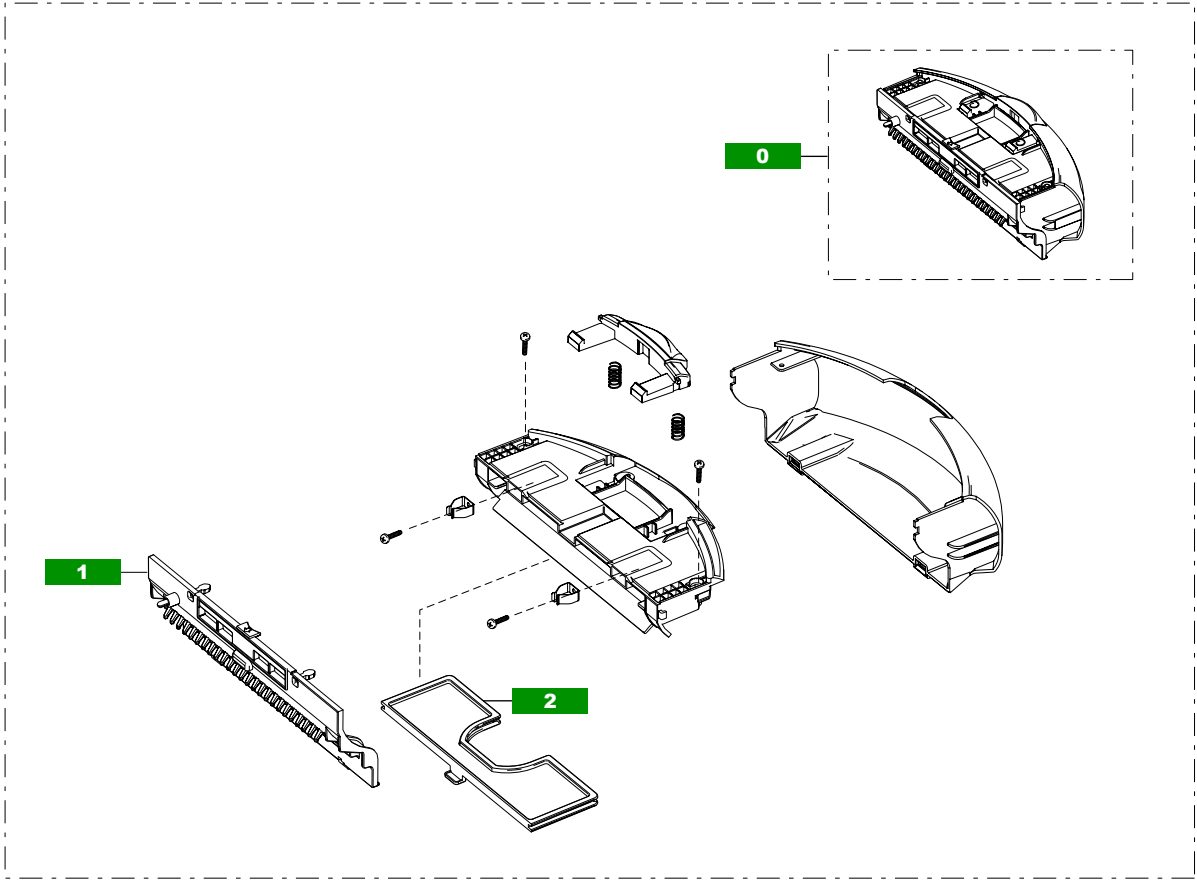
## Model code : VCR8825T3B/XET Parts List

-SA : SERVICE AVAILABLE / SNA : SERVICE not AVAILABLE

### Assembly ASSY BODY BASE Parts List

Loc No.	Part Code	Description	Specification	Q'TY	Service	Remarks
0	DJ97-01319G	ASSY BODY BASE	VCR8855,DEEP GRY,-,-,LOW-	1	SA	
1	DJ96-00117A	ASSY MOTOR-FAN	VCU-RA84V,14.4V,ASSY MOTO	1	SA	
2	DJ91-00004E	ASSY SWITCH MICRO	VC-RA84V,WHEEL LIFT L,	2	SA	
3	DJ97-01314C	ASSY WHEEL DRIVING L	WHEEL,VC-RL84V,DEEP	1	SA	
3-1	DJ97-01311A	ASSY WHEEL	WHEEL,VC-RA84V,DEEP GRY,ROYAL	1	SA	
3-2	DJ39-00202A	WIRE HARNESS-WHEEL MOTOR	VC-RL84V,6,WHT,	1	SA	
4	DJ97-01317C	ASSY WHEEL DRIVING R	WHEEL,VC-RL84V,DEEP	1	SA	
4-1	DJ97-01311A	ASSY WHEEL	WHEEL,VC-RA84V,DEEP GRY,ROYAL	1	SA	
4-2	DJ39-00202A	WIRE HARNESS-WHEEL MOTOR	VC-RL84V,6,WHT,	1	SA	
5	DJ97-01320B	ASSY CASE MOTOR-CORNER	VC-RL84V,DEEP GRY	2	SA	
6	3402-001040	SWITCH-ROCKER	250VAC,6A,2,DPST,ON-OFF	1	SA	
7	DJ91-00004D	ASSY SWITCH MICRO	VC-RA84V,DUSTBOX	1	SA	
8	DJ97-01318B	ASSY CASE-DRUM	VC-RL84V,MICRO SIL,No,-,L	1	SA	
9	DJ97-01313A	ASSY ROLLER FRONT	FRONT,VC-84V,BLK,OD47.	1	SA	
10	DJ65-00063A	TERMINAL-PIN	VC-RA84V,BRASS	2	SA	
11	DJ97-01316A	ASSY CASE-SENSOR	VC-RA84V,DEEP GRY,No,-	1	SA	
11-1	DJ32-00013A	SENSOR-DISTANCE	KIR5005C,VC-RA84V,5.0V,5	7	SA	
11-2	DJ91-00004B	ASSY SWITCH MICRO	VC-RA84V,WHEEL LIFT L,	2	SA	
11-3	DJ63-00928A	COVER SENSOR	VC-RA84V,ABS,BLK	1	SA	
11-4	DJ32-00014A	SENSOR-DISTANCE	KIR5006C,VC-RA84V,5.0V,5	3	SA	

**ASSY CASE BASKET**



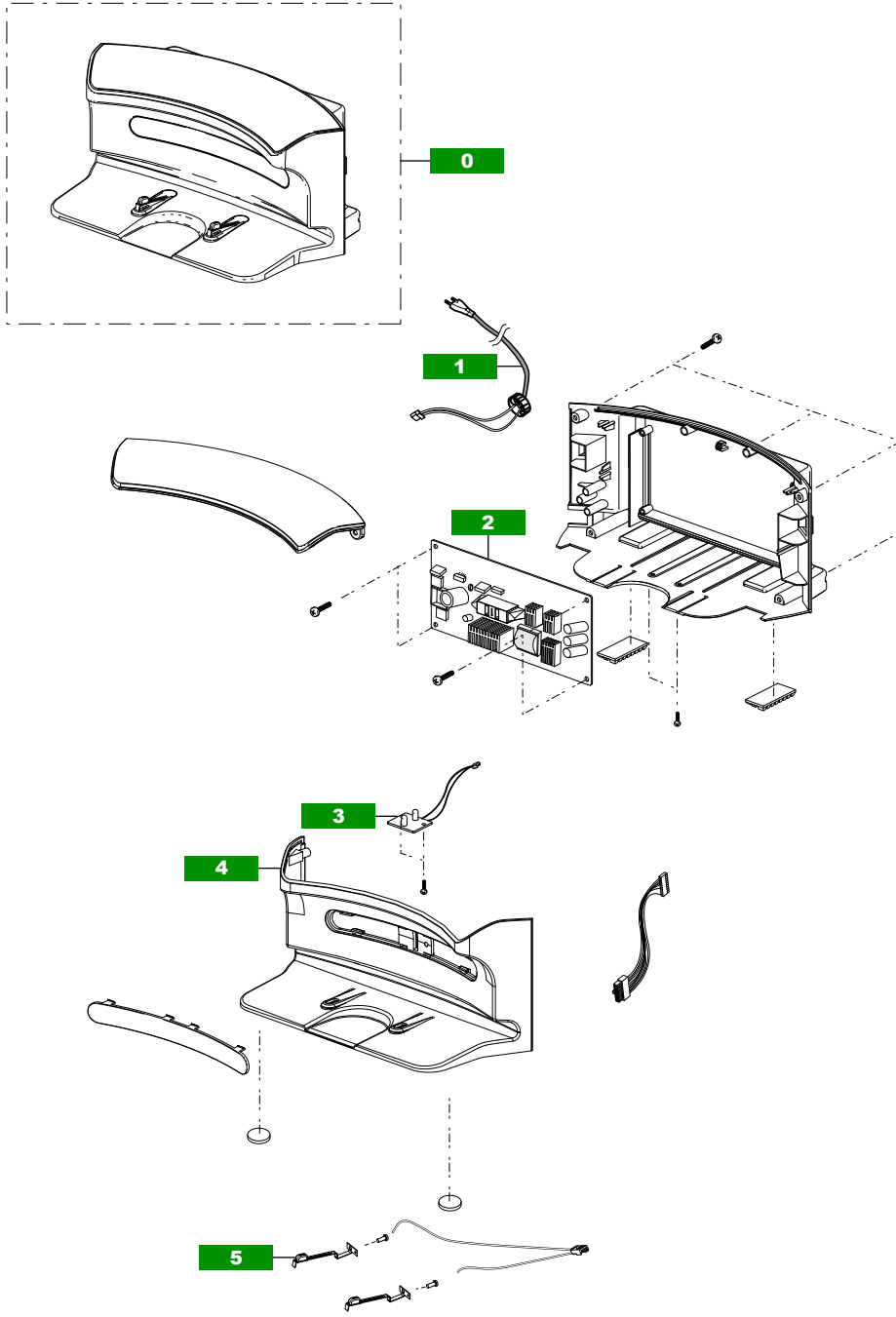
## Model code : VCR8825T3B/XET Parts List

-SA : SERVICE AVAILABLE / SNA : SERVICE not AVAILABLE

### Assembly ASSY CASE BASKET Parts List

Loc No.	Part Code	Description	Specification	Q'TY	Service	Remarks
0	DJ97-01287A	ASSY CASE BASKET	AUTOBOT.No.Bagfree	1	SA	
1	DJ97-01285A	ASSY GRILLE FILTER	AUTOBOT,WHT,H11	1	SA	
2	DJ97-01324A	ASSY COVER DUST SUB	VC-RA84V,VISTA BLU	1	SA	

# ASSY CHARGER



## Model code : VCR8825T3B/XET Parts List

-SA : SERVICE AVAILABLE / SNA : SERVICE not AVAILABLE

### Assembly ASSY CHARGER Parts List

Loc No.	Part Code	Description	Specification	Q'TY	Service	Remarks
0	DJ96-00115G	ASSY CHARGER	VCR8855,URBAN GRAPHITE,EXP,	1	SA	
1	DJ95-00021E	ASSY POWER CORD	AUTOBOT-PJT,CP2 4.8,L200	1	SA	
2	DJ41-00459A	PBA SMPS	VC-RA84V,CEM-1,180X85,100~240V,	1	SA	
3	DJ41-00470A	PBA-SMPS LED	VC-RA84V,FRL,W30XL20,DC5V,N	1	SA	
4	DJ63-00940E	COVER-CHARGER FRONT	VCR-8830,PC+ABS,URBA	1	SA	
5	DJ65-00062A	TERMINAL-PLATE	VC-RA84V,BRASS	2	SA	