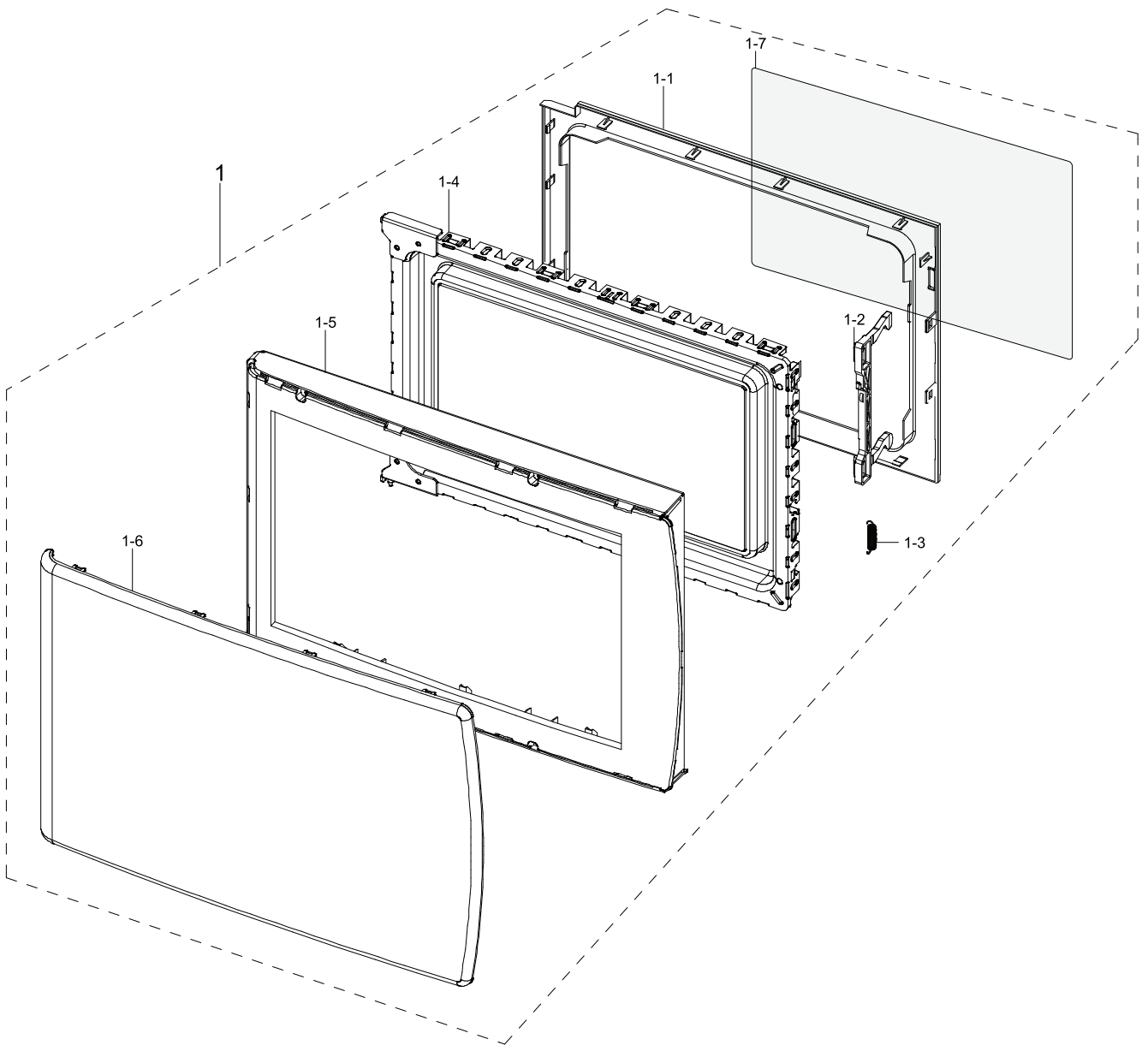


# 1. Main

## Exploded View



## Parts List

No.	Parent	Lvl.	Loc.	Material Code	Description & Specification	SNA	Qty.
1	GE711K/XEC	1	D049	DE94-02426F	ASSY DOOR; GE731K/XEC,WHITE, SOFT1	SNA	1
1-1	DE94-02426F	2	D006	DE64-02354A	DOOR-C; 0.7ECO PLATFORM,PP,BLACK	SA	1
1-2	DE94-02426F	2	D011	DE64-02355A	KEY-DOOR; 0.7ECO PLATFORM,POM,BLACK	SA	1
1-3	DE94-02426F	2	D007	DE61-00198A	SPRING-KEY; M1877,HSWR,PI0.7,D6,24 1/4,BL	SA	1

Exploded Views and Parts List

---

No.	Parent	Lvl.	Loc.	Material Code	Description & Specification	SNA	Qty.
1-4	DE94-02426F	2	D004	DE94-02262C	ASSY DOOR E-COATING; MW73B/XEF,SCP T0.4,B	SA	1
1-5	DE94-02413A	3	D002	DE64-02485A	DOOR-A; MW731R,ABS,WHITE,SOFT1	SNA	1
1-6	DE94-02413A	3	D024	DE64-02483A	SCREEN-DOOR(B); MW731R,SAN,BLACK,SOFT1	SNA	1
1-7	DE94-02426F	2	D005	DE64-00221E	FILM-DOOR; -,CE2877N,PET,T0.15,W143,L264,	SA	1

## **1.1. Assy Door**

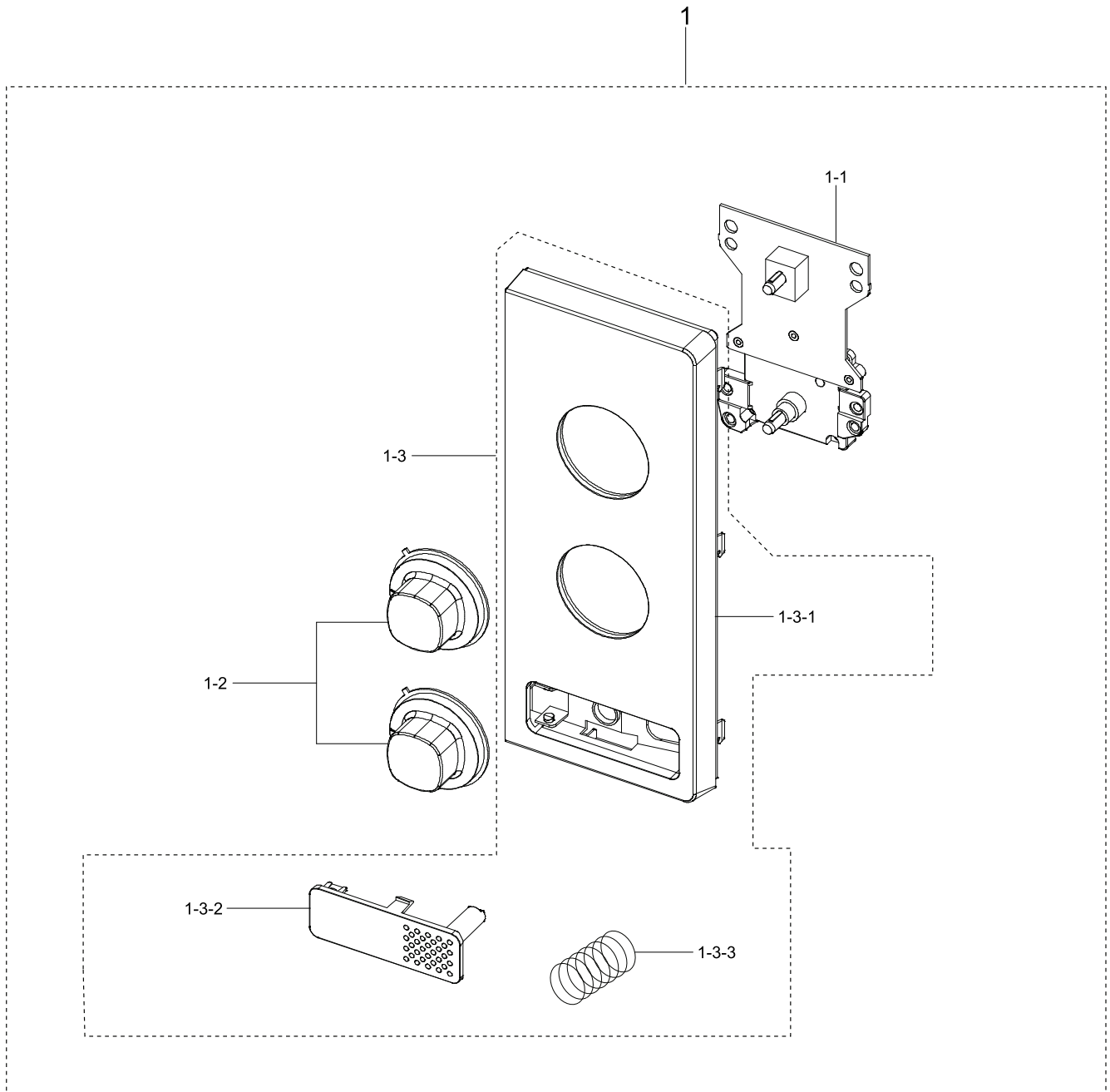
---

**Exploded View**

**Parts List**

## 1.2. Assy Control

### Exploded View



### Parts List

No.	Parent	Lvl.	Loc.	Material Code	Description & Specification	SNA	Qty.
1	GE711K/XEC	1	C082	DE94-02465D	ASSY CONTROL BOX; GW71K/XEC,WHITE,ABS(HG0	SNA	1
1-1	DE94-02465D	2	F002	DE96-00739A	ASSY-TIMER CONTROL; GW71E,DAM-TCM2-00,-,W	SA	1
1-2	DE94-02465D	2	C025	DE64-02479B	KNOB; GW711KR,ABS,WHITE,SOFT1	SA	2

No.	Parent	Lvl.	Loc.	Material Code	Description & Specification	SNA	Qty.
1-3	DE94-02465D	2		DE94-02463D	ASSY CONTROL PANEL-(MECH); GE711K/XEC,WHI	SA	1
1-3-1	DE94-02463D	3	C375	DE64-02480H	CONTROL-PANEL(MECH); GE711K/XEC,ABS,SOFT1	SNA	1
1-3-2	DE94-02463D	3	C007	DE64-02482A	BUTTON-PUSH; MW731R,ABS,WHITE,SOFT1, SING	SNA	1
1-3-3	DE94-02463D	3	R014	DE61-70076A	SPRING-BUTTON; -,HSWR,PI0.6,-,OD19,L23,5T	SA	1