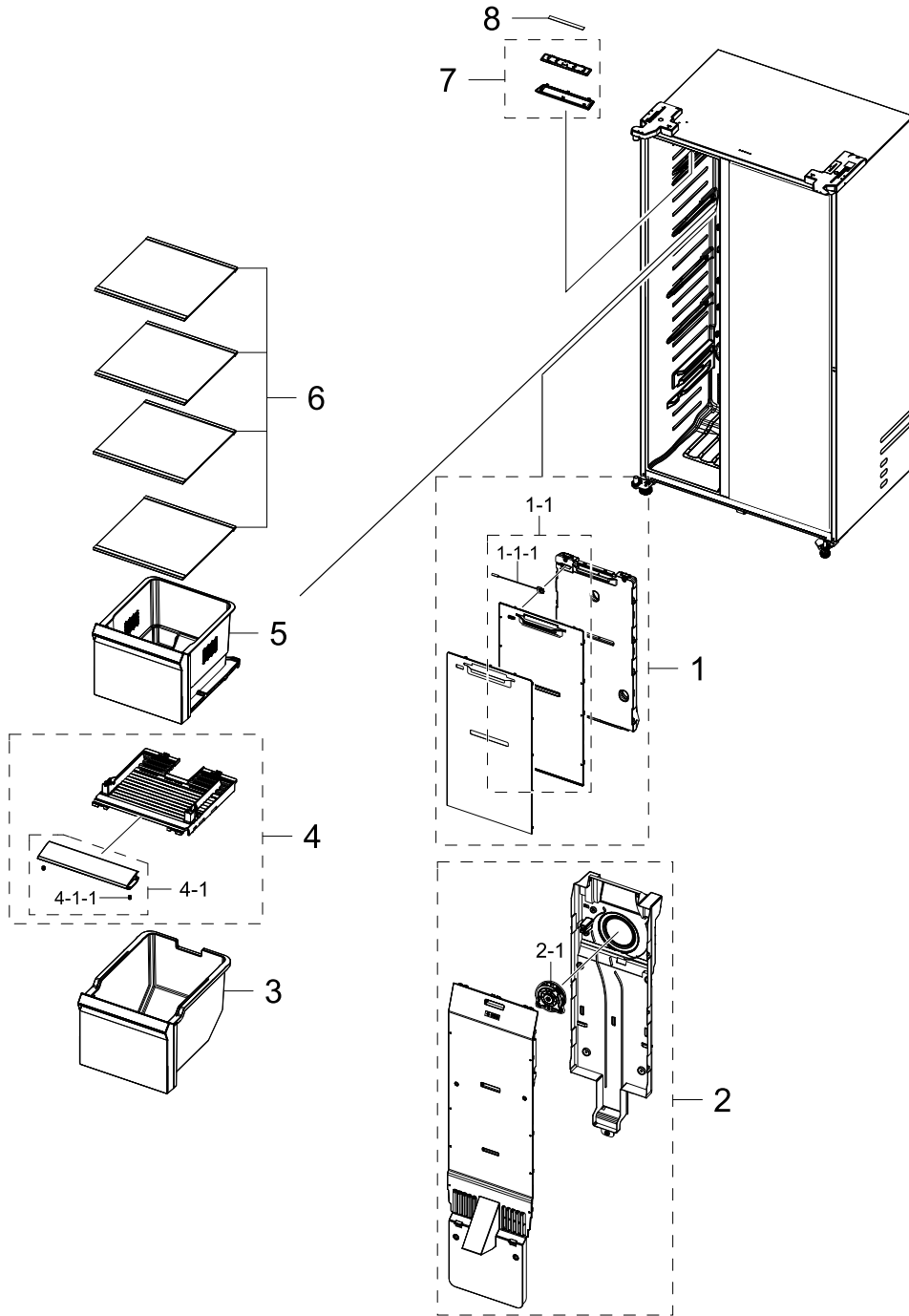


# 1. FREEZER

---

FREEZER

### Exploded View



**Parts List**

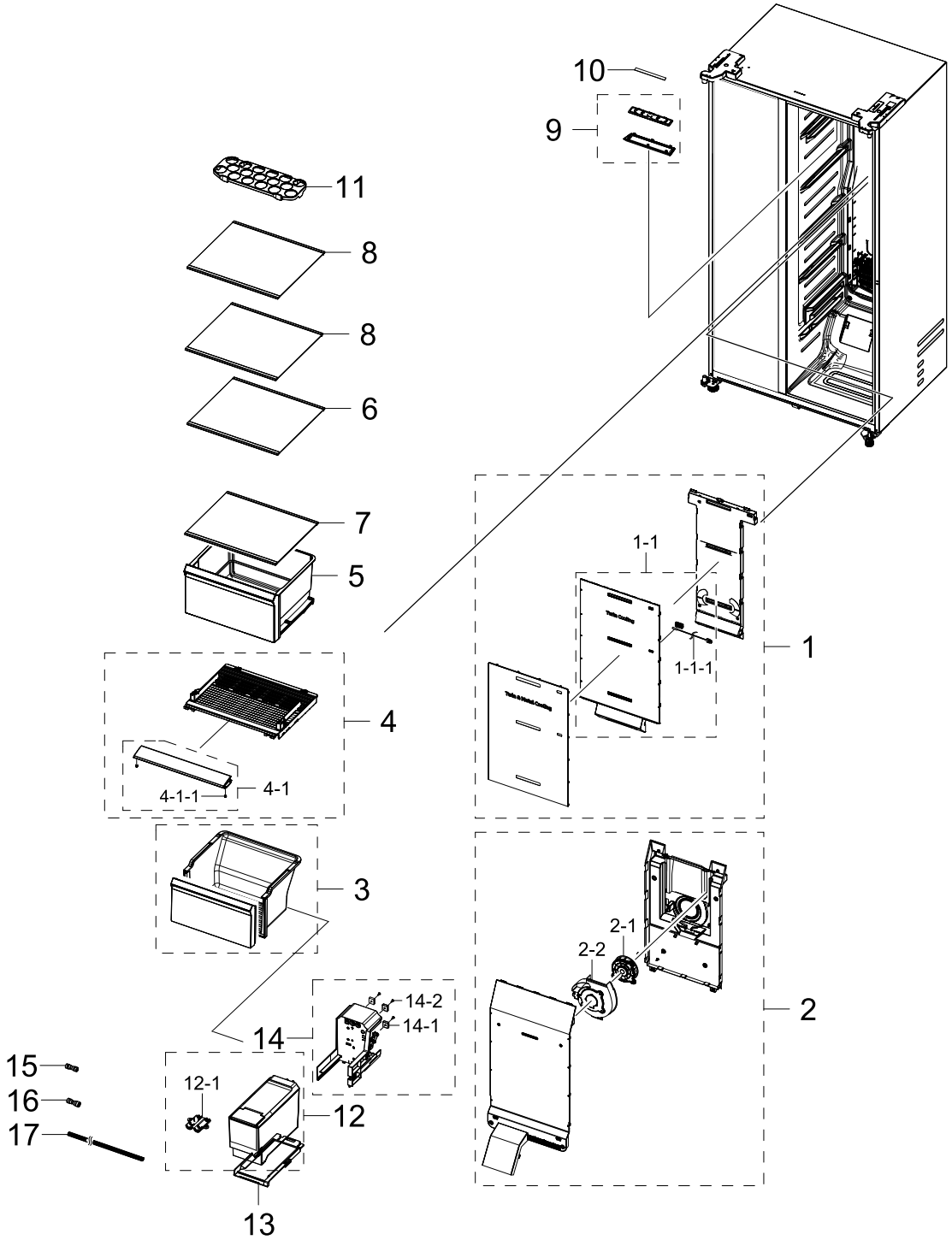
No.	Lvl.	Loc.	Material Code	Description & Specification	SNA	Qty.
1	2	M0304	DA97-21679B	ASSY COVER MULTI-FRE; RS8000 Relaunch,No	SA	1
1-1	3	M0240	DA97-21678A	ASSY COVER MULTI-FRE FRONT; RS8000 Relaunch	SNA	1
1-1-1	4	A1018	DA32-00070C	SENSOR TEMP; SC41200-021A,L250,13.2kohm,2	SA	1
2	2	M0303	DA97-21681A	ASSY COVER EVAP-FRE; RS8000 Relaunch	SA	1
2-1	3		DA31-00334D	MOTOR BLDC FAN;12035GE-12M-YT,1775±7%,12	SA	1
3	2	A1186	DA97-19211C	ASSY CASE BASKET-LOW; RS8000AC,TP GRAY,No	SA	1
4	2		DA97-19217C	ASSY COVER SLIDE; RS8000AC,FRE, GPPS, TP	SA	1
4-1	3		DA97-19505C	ASSY COVER SLIDE; RS8000AC,FRE, GPPS, TP	SNA	1
4-1-1	4		DA63-07113A	GROMMET-COVER SIDE; HM12,Si,-,-,-	SA	2
5	2		DA97-19210C	ASSY CASE BASKET-UP; RS8000AC,TP GRAY,No	SA	1
6	2		DA97-16364K	ASSY SHELF-FRE LOW; RS8000AC,LUMINOUS TRI	SA	4
7	3		DA97-21569A	ASSY COVER LAMP; RB7300T,COVER LAMP, ASSY	SA	1
8	3		DA96-01119A	ASSY LAMP LED; 3EA,FR-4,150*12,WHITE,SMAW	SA	1

## 2. FRIDGE

---

FRIDGE

Exploded View



**Parts List**

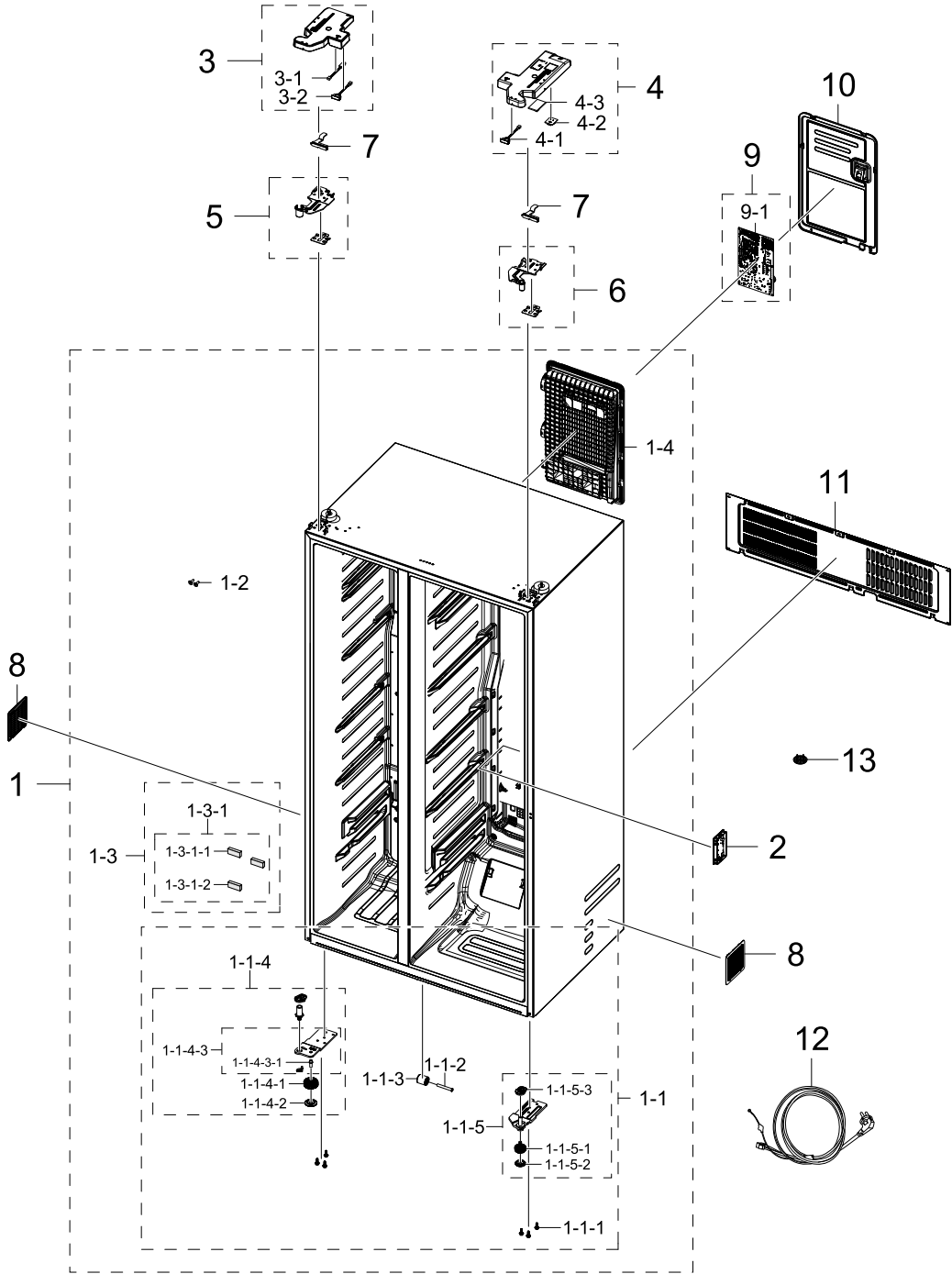
No.	Lvl.	Loc.	Material Code	Description & Specification	SNA	Qty.
1	2	G0239	DA97-19189D	ASSY COVER MULTI-REF; RS8000 Relaunch,No	SA	1
1-1	3	G0239	DA97-20247D	ASSY COVER MULTI-REF; RS8000NC,HIPS,T2.5,	SNA	1
1-1-1	4	A1018	DA32-00070C	SENSOR TEMP; SC41200-021A,L250,13.2kohm,2	SA	1
2	2	M0303	DA97-19188A	ASSY COVER EVAP-REF COVER EVAP MODULE; RS	SA	1
2-1	3		DA31-00334D	MOTOR BLDC FAN;12035GE-12M-YT,1775±7%,12	SA	1
2-2	3		DA61-08437A	GUIDE AIR-REF; HM12,ABS,-,HB,HG-0760GP,EB	SA	1
3	2	M0300	DA97-19212C	ASSY CASE VEG-LOW; RS8000AC,TP GRAY,Non P	SA	1
4	2		DA97-19218C	ASSY COVER SLIDE; RS8000AC,REF, GPPS, TP	SA	1
4-1	3		DA97-19504C	ASSY COVER SLIDE; RS8000AC,REF, GPPS, TP	SNA	1
4-1-1	4		DA63-07113A	GROMMET-COVER SIDE; HM12,Si,-,-,-	SA	2
5	2		DA97-19214C	ASSY CASE VEG-UP; RS8000AC,TP GRAY,No Pri	SA	1
6	2		DA97-16363J	ASSY SHELF-REF LOW; RS8000AC,LUMINOUS TRI	SA	1
7	2		DA97-16363K	ASSY SHELF-REF LOW; RS8000AC,NON-PLUMBING	SA	1
8	2		DA97-16362K	ASSY SHELF-REF UP; RS8000AC,LUMINOUS TRIM	SA	2
9	3		DA97-21569A	ASSY COVER LAMP; RB7300T,COVER LAMP, ASSY	SA	1
10	3		DA96-01119B	ASSY LAMP LED; 5,FR-4,150*12,WHITE,SMAW25	SA	1
11	2	A0656	DA67-40322A	TRAY EGG; SR-51.55.59,GPPS,TP BLUE	SA	1
12	2	M0042	DA97-15758A	ASSY TANK WATER; FSR	SA	1
12-1	3		DA63-04744A	COVER-CHECK VALVE; HM,PP,HB,INNER GRAY,CN	SA	1
13	2		DA61-13117A	GUIDE RAIL; RS8000NC,HIPS,-,COOL WHITE,-,	SA	1
14	2	A0662	DA97-19119A	ASSY CASE MOTOR; RS8000NC,Non-Plumbing	SA	1
14-1	3		DA67-05362A	RUBBER BUMPER; RF9000A,Si,T3,40,WATER PUM	SA	4
14-2	3	G0412	6002-000473	SCREW-TAPPING; STS304,PASS,L14,M4,TH,+,1	SA	4
15	2	T0093	DA60-00258B	FITTING TUBE; PP,ID1/4,1/4'- 1/4'	SA	1
16	2	T0094	DA60-00259B	FITTING TUBE; PP,ID1/4,TRANSPARENT,-,OD5/	SA	1
17	2		DA62-00160F	PIPE WATER-LINE OUT; RS8000,PP,OD13.5,T0.	SNA	2

## 3. CABINET

---

CABINET

### Exploded View





## Parts List

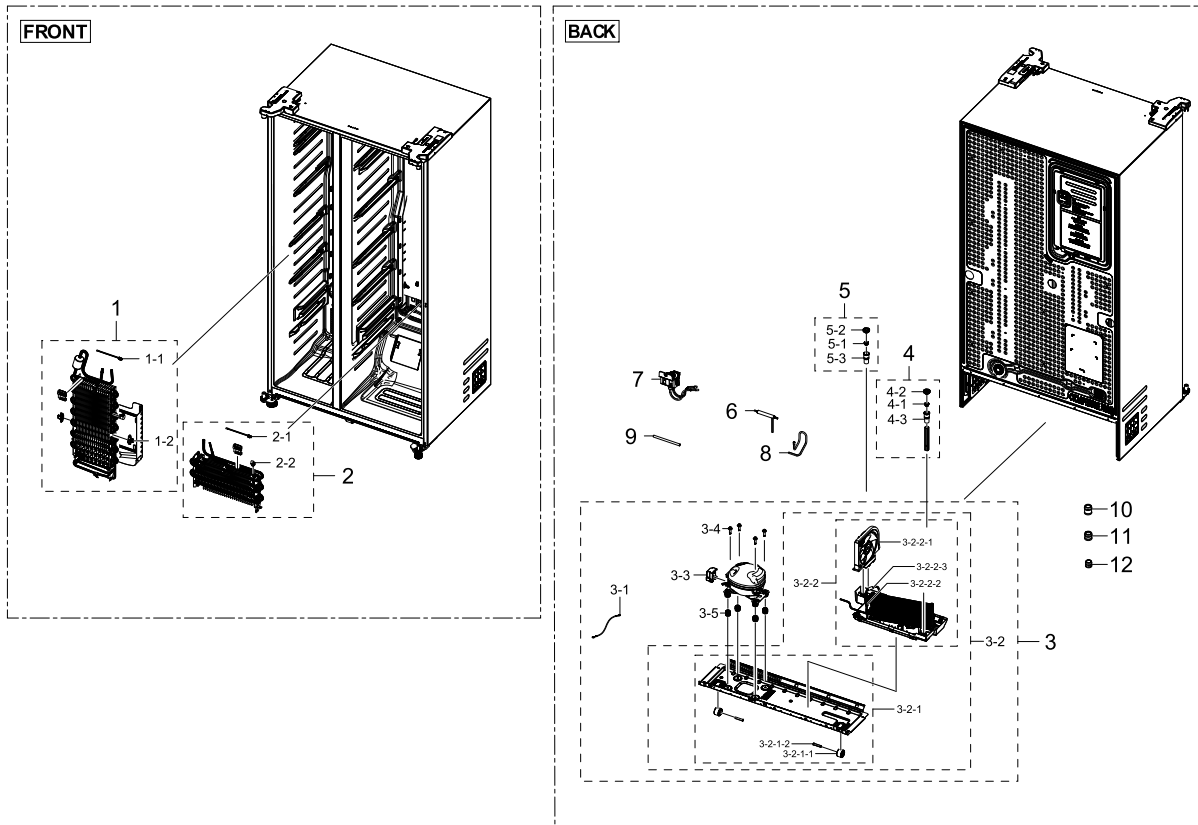
No.	Lvl.	Loc.	Material Code	Description & Specification	SNA	Qty.
1	2		DA97-22142N	ASSY CABI FORM-CABI MODULE; RS8000CC,URBA	SNA	1
1-1	3		DA97-19254B	ASSY CABI-BOTTOM; RS8000NC,PP SCRAP,SNOW	SNA	1
1-1-1	4	A0564	DA60-10123C	BOLT-HEX; M6,L24,ZPC(WHT),HWH,SWRCH18A,HW	SA	6
1-1-2	4	M0146	DA61-01920A	FIXER-CASTER; ZPC2,SWRCH10A,-,-,-,OD8.0	SA	1
1-1-3	4	M0145	DA61-04702A	CASTER-FRONT; AW-PJT,PP,BLACK	SA	1
1-1-4	4		DA97-14046B	ASSY HINGE-LOW LEFT; FSR CD,DISPENSER	SA	1
1-1-4-1	5	A0577	DA61-07972B	FOOT-FRONT; POLARIS,PP,BLACK,-,-,SSPP-640	SA	1
1-1-4-2	5	A0863	DA61-07973B	FOOT; POLARIS,PP,BLACK,-,-,SSPP-640,PP_S	SA	1
1-1-4-3	5		DA61-09275B	HINGE-LOW LEFT; FSR CD,PO-SPHC,T5,-,-,-,-	SNA	1
1-1-4-3-1	6	A0517	DA66-00793A	SHAFT-LEG FRONT; POLARIS,SWRCH10A,L27,-,B	SA	1
1-1-5	4		DA97-19056A	ASSY HINGE-LOW RIGHT; RS8000NC,T7,2DOOR	SA	1
1-1-5-1	5	A0577	DA61-09458A	FOOT-FRONT; RS8000CH,PP,BLACK,-,-,RM60	SA	1
1-1-5-2	5	A0863	DA61-09459A	FOOT; PPI BLACK,-,BJ750	SA	1
1-1-5-3	5		DA66-00891A	CAM-HINGE RISER REF LOW; MONTES ALPHA,PA6	SA	1
1-2	3	G0412	6002-001120	SCREW-TAPPING; SWRCH18A,ZPC(WHT),L18,M4,F	SA	4
1-3	3		DA97-21749B	ASSY PIPE SUCTION; RS8000NC F/L,A+++ , in-	SNA	1
1-3-1	4		DA97-21749A	ASSY PIPE SUCTION; RS8000NC F/L,A+++ , OD7	SNA	1
1-3-1-1	5		DA62-01018A	SEAL CUTT-RUBBER; RR2500K,RUBBER,T5,W50,L	SA	2
1-3-1-2	5		DA72-60040W	SEAL-CUTT RUBBER; TD-PJT,RUBBER,T5,W35,L3	SA	1
1-4	4		DA61-14706A	CASE PBA; RS8000NC,PP,T2.5,BLACK,-,HFFR-1	SA	1
2	2	A0626	DA97-23190W	ASSY COVER CONTROL; RS8000C,AI Energy, No	SA	1
3	2		DA97-19247A	ASSY COVER HINGE-UP LEFT; RS8000NC,ABS,2.	SA	1
3-1	3	A1108	DA32-00074A	SENSOR HUMIDITY; 5V,0~100%RH,REF	SA	1
3-2	3		DA34-00043J	SWITCH REED; UL1007 AWG 22,50mm	SA	1
4	2		DA97-21758E	ASSY COVER HINGE-UP RIGHT; RS8000CC,INOX	SA	1
4-1	3		DA34-00043J	SWITCH REED; UL1007 AWG 22,50mm	SA	1
4-2	3		DA92-00817A	ASSY MODULE; BUZZER PBA,RB6000K,Standard	SA	1
4-3	3		4709-003051	W-LAN MODULE; CCAR210R,SDA8700CSM,IEEE802	SA	1
5	2		DA97-19227A	ASSY HINGE-UP LEFT; RS8000NC,BLK	SA	1
6	2		DA97-19132A	ASSY HINGE-UP RIGHT; RS8000NC,BLK	SA	1
7	2		DA61-04932B	FIXER-HINGE; RS76,RS78,PO-SPHC,T3,-,-,-,Z	SA	2
8	2		DA63-08062A	COVER UNIT; BK,ABS,-,HB,INOX GRAY,-,HG-07	SA	1
9	1		DA94-08843A	ASSY PCB EEPROM; 0x16,D601, D603, D605,RS	SA	1
9-1	2	A0952	DA92-01753K	ASSY PCB MAIN; R_PF01_23,RS8000CC,165*242	SNA	1
10	2		DA97-13181G	ASSY COVER PBA-MAIN; RS8000,T0.5	SA	1
11	2	M0076	DA97-19123A	ASSY COVER COMP; RS8000NC,GI-SGCC,T0.25	SA	1
12	2	A0273	3903-001015	POWER CORD-AT; H05VV-F 3x0.75mm2,BLK,EU3F	SA	1
13	2	M0158	DA63-09871A	COVER-URETHANE; RB7300T,PP,T2.5,5VA,BLACK	SA	1



# 4. CYCLE

## CYCLE

### Exploded View



### Parts List

No.	Lvl.	Loc.	Material Code	Description & Specification	SNA	Qty.
1	2	A0163	DA96-01316D	ASSY EVAP-FRE; RS8000NC F/L,FIN TUBE(GROO	SA	1
1-1	3	A1018	DA32-00070Q	SENSOR TEMP; DOUBLE_INSULATION,L200,13.2k	SA	1
1-2	3	G0205	DA61-04921B	FIXER-HEATER FRE; HERMES-PJT,PP,-,NATURAL	SA	2
2	2	A0184	DA96-01318B	ASSY EVAP-REF; RS8000NC F/L,FIN TUBE(GROO	SA	1
2-1	3	A1018	DA32-00070Q	SENSOR TEMP; DOUBLE_INSULATION,L200,13.2k	SA	1
2-2	3		DA61-06013B	FIXER WIRE; AW3-PJT,PP,T2,NATURAL,-,BJ750	SA	1
3	2		DA97-22145E	ASSY COMP N CONDENSING; RS800NC F/L,W908,	SNA	1
3-1	3	A0562	DA39-20389L	ASSY WIRE HARNESS-EARTH; EARTH,ALL,FREE V	SA	1
3-2	3		DA97-19448A	ASSY CHASSIS; RS8000NC	SNA	1
3-2-1	4	A0526	DA97-19127A	ASSY CHASSIS COMP; RS8000NC,GI-SGCC,1.0	SA	1
3-2-1-1	5	A0527	DA61-04703A	CASTER-REAR; AW-PJT,PP,BLACK,M/B(0103-002	SA	2
3-2-1-2	5	M0212	DA66-00649B	SHAFT-CASTER; POLARIS,MSWR10,L44,OD11,-,-	SA	2

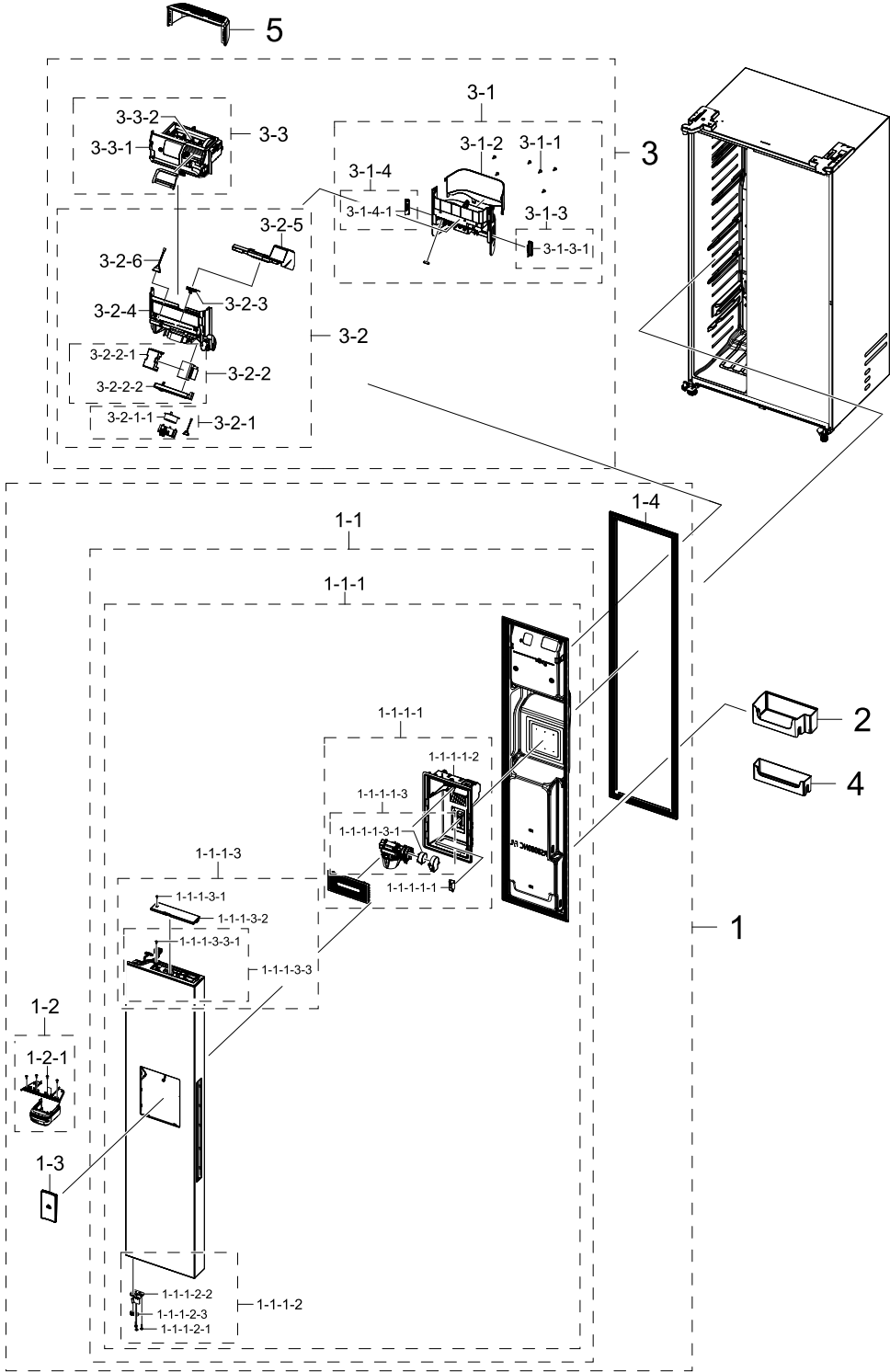
Exploded Views and Parts List

No.	Lvl.	Loc.	Material Code	Description & Specification	SNA	Qty.
3-2-2	4	A0529	DA97-19128A	ASSY TRAY DRAIN WATER; RS8000NC	SA	1
3-2-2-1	5	M0116	DA97-20025B	ASSY SUPPORT-CIRCUIT MOTOR; RS5000RC,C160	SA	1
3-2-2-2	5		DA97-20131A	ASSY PIPE IMMERSING; RS8000NC,TSW,OD4.76,	SA	1
3-2-2-3	5		DA97-20140A	ASSY PIPE IMMERSING; RS8000NC,TSW,OD4.76,	SA	1
3-3	3	Z1032	DA63-06122A	COVER RELAY; MSV,MPPE,T2,BLACK,N300X,V-0	SA	1
3-4	3	A0564	6011-007289	BOLT-HEX; M6,L43.6,ZPC(SILVER),HH,SOCKET,	SA	4
3-5	3	Z1112	DA63-09336B	GROMMET COMP; REF,IIR,BLACK,-,L21.3, OD	SA	4
4	2	M0067	DA97-04049D	ASSY CAP-DRAIN; AW,ASSY,-,L224.5,-,FIXE	SA	1
4-1	3	A0336	DA61-05021A	FIXER-DRAIN; HAEMIL,PP,T0.6,CARMEN WINE,B	SA	1
4-2	3		DA63-02761A	GROMMET-DRAIN; RS18RK,NBR,BLACK,-	SA	1
4-3	3	A0492	DA67-01301A	CAP-DRAIN; AW4,HIPS,HB,576H,NATURAL	SA	1
5	2		DA97-18856A	ASSY CAP DRAIN; RQ9500M	SA	1
5-1	3	A0336	DA61-05021A	FIXER-DRAIN; HAEMIL,PP,T0.6,CARMEN WINE,B	SA	1
5-2	3		DA63-02761A	GROMMET-DRAIN; RS18RK,NBR,BLACK,-	SA	1
5-3	3	A0492	DA67-01301A	CAP-DRAIN; AW4,HIPS,HB,576H,NATURAL	SA	1
6	2	A0669	DA62-04309A	DRYER; C1220T-H,L137,SINGLE MOUTH,OD15.8,	SA	1
7	2		DA62-04678B	VALVE STEP; DC12V,MODULE,2WAY,RIGHT/RIGHT	SA	1
8	2		DA62-05167A	PIPE CONNECT-SUCTION; RS8000NC,Cu,OD6.35,	SA	1
9	2	A0523	DA73-10190U	PIPE-CONNECT DISC,B; ALL,C1220T,Cu,OD6.35	SA	1
10	2		DA60-00279A	FITTING LOCK RING; SUM23,-,SILVER,-,16,	SA	1
11	2		DA60-00280A	FITTING-LOKRING 33; SUM23,ID3/16,33, 11SM	SA	1
12	2		DA60-00281A	FITTING LOCK SLEEVE; SUM23,ID5.02,11SMnPb	SA	1

# 5. DOOR FRE

## DOOR FRE

### Exploded View



**Parts List**

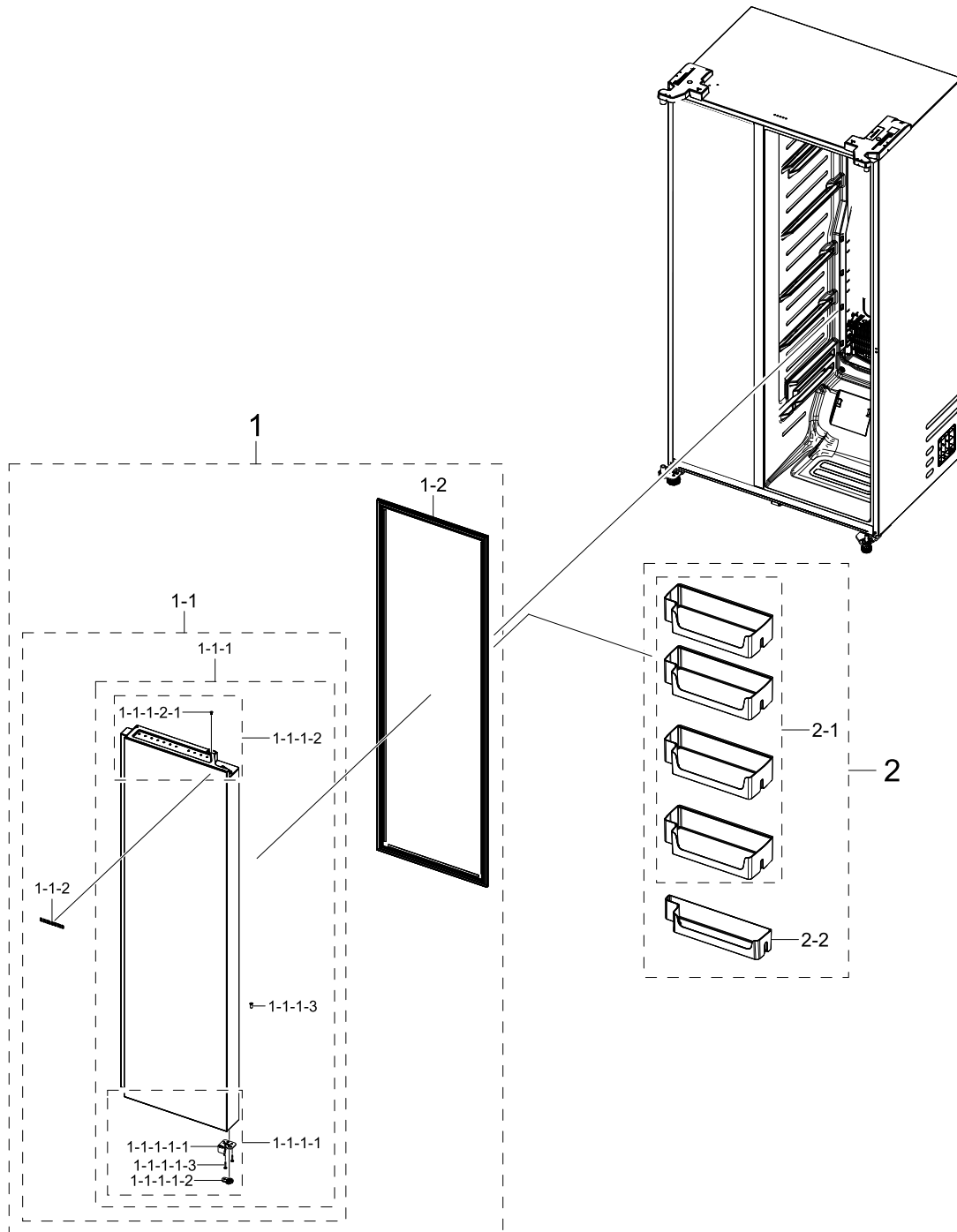
No.	Lvl.	Loc.	Material Code	Description & Specification	SNA	Qty.
1	2		DA93-00955F	ASSY DOOR SUB-FRE DOOR MODULE; RS8000 F/L	SNA	1
1-1	3	M0063	DA91-05447E	ASSY DOOR FOAM-FRE; RS8000NC,MATT DOI MET	SA	1
1-1-1	4		DA97-21735E	ASSY PLATE DOOR-FRE; RS8000NC,8SERIES,REC	SNA	1
1-1-1-1	5		DA97-19228M	ASSY CASE DISPENSER; RS8000NC,DARK GRAY,F	SNA	1
1-1-1-1-1	6	A0842	3405-001117	SWITCH-MICRO; 125/250VAC,1A,80gf,SPST-NO	SA	1
1-1-1-1-2	6	G0407	DA61-12998D	CASE DISPENSER; RS8000NC,ABS,T3,DARK GRAY	SNA	1
1-1-1-1-3	6		DA97-19028A	ASSY CASE ICE ROUTE; RS8000NC,220V	SA	1
1-1-1-1-3-1	7	M0200	DA31-00079A	MOTOR GEARED AC DISP; MVLA15AR11/MCFA182A	SA	1
1-1-1-2	5	A0047	DA97-19263D	ASSY CAP DOOR-FRE LOW; RS8000NC,2DOOR, 3D	SNA	1
1-1-1-2-1	6	G0412	6002-000524	SCREW-TAPPING; SWRCH18A,ZPC(WHT),L20,M4,T	SA	3
1-1-1-2-2	6		DA61-07527A	STOPPER-DOOR FRE LOW; POLARIS,PO-SPHC,T4,	SA	1
1-1-1-2-3	6	M0265	DA66-00558B	CAM HINGE-RISER UPP L; POLARIS,PA66+GF15%	SA	1
1-1-1-3	5		DA97-21732A	ASSY CAP DOOR-FRE UP; RS8000NC,INOX GRAY,	SNA	1
1-1-1-3-1	6	G0412	6002-001547	SCREW-TAPPING; SWRCH18A,ZPC(WHT),L10,M4,F	SA	1
1-1-1-3-2	6	M0060	DA63-04341A	COVER-CAP DOOR FRE; GUGGENHEIM,ABS,W61.3,	SA	1
1-1-1-3-3	6		DA97-22139A	ASSY CAP DOOR-FRE UP; RS8000NC F/L,INOX G	SNA	1
1-1-1-3-3-1	7		DA67-02795C	CAP-SHAFT HOLE; AW3,ABS,HG-0760GP,SNOW WH	SA	1
1-2	3		DA97-19031J	ASSY COVER DISPENSER; RS8000 F/L,DARK GRA	SA	1
1-2-1	4	G0412	6002-000630	SCREW-TAPPING; SWRCH18A,ZPC(WHT),L8,M3,PH	SA	7
1-3	3		DA97-21146A	ASSY LEVER DISPENSER; RS5300T,EBONY BLACK	SA	1
1-4	3		DA97-19851G	ASSY GASKET-FRE; RS8000NC,L1642.5,W344.5,	SA	1
2	2	M0366	DA63-09331C	GUARD-FRE UP; RS8000NC F/L,GPPS,T3.5,TP G	SA	1
3	2		DA97-22143A	ASSY BUCKET N AUGER-BUCKET MODULE; RS8000	SNA	1
3-1	3	A0105	DA97-19033C	ASSY TRAY ICE; RS8000,INDOOR PP I/M	SA	1
3-1-1	4	G0412	6002-000473	SCREW-TAPPING; STS304,PASS,L14,M4,TH,+,1	SA	5
3-1-2	4		DA64-05768A	WINDOW BUCKET; RS8000NC,PCTG,T4,W290,L175	SA	1
3-1-3	4		DA97-22941A	ASSY LEVER HANDLE; RS8000NC,COOL WHITE,LE	SNA	1
3-1-3-1	5		DA66-00587A	LEVER-BUCKET L; GUGGENHEIM,ABS,-,W76.7,L1	SC	1
3-1-4	4		DA97-22938A	ASSY LEVER HANDLE; RS8000NC,COOL WHITE,LE	SNA	1
3-1-4-1	5	G0557	DA66-00588A	LEVER-BUCKET R; GUGGENHEIM,ABS,-,W77.2,L7	SA	1
3-2	3	M0299	DA97-21751A	ASSY CASE AUGER MOTOR; RS8000,T2.5,COOL W	SA	1
3-2-1	4		DA97-22937A	ASSY CASE SUB-UP; RS8000NC,T2.5,COOL WHIT	SNA	1
3-2-1-1	5	M0200	DA31-00079A	MOTOR GEARED AC DISP; MVLA15AR11/MCFA182A	SA	1

No.	Lvl.	Loc.	Material Code	Description & Specification	SNA	Qty.
3-2-2	4		DA97-22936A	ASSY CASE SUB-LOW; RS8000NC,T2.5,COOL WHI	SNA	1
3-2-2-1	5		DA63-05515A	COVER-MOTOR AUGER COIL; GGH,ABS,-,-,NATUR	SA	1
3-2-2-2	5	M0199	DA31-00210E	MOTOR GEARED AC AUGER; ORG-4501P3,AC220-2	SA	1
3-2-3	4	G0572	DA97-11248A	ASSY-CAM LEVER CUBE; INDOOR	SA	1
3-2-4	4		DA61-14393A	SUPPORT CASE AUGER; RS8000,HIPS,T2.5,576H	SA	1
3-2-5	4		DA63-09324A	COVER CASE AUGER; RS8000NC,HIPS,T2.5,HB,N	SA	1
3-2-6	4	G0564	DA97-00151B	SWITCH REED; UL1007 AWG 22,230,35151-0210	SA	1
3-3	3	M0247	DA97-21754A	ASSY ICE MAKER-MECH; RS8000,COOL WHITE	SA	1
3-3-1	4		DA61-14395A	SUPPORT CASE AUGER-LEFT; RS8000,ABS,T2.5,	SA	1
3-3-2	4	A0104	DA97-19010A	ASSY ICE MAKER; RS6500KC,12V,INDOOR	SA	1
4	2	M0365	DA63-09332C	GUARD-FRE LOW; RS8000NC F/L,GPPS,T3.5,TP	SA	1
5	2		DA63-11186A	COVER ICE-FRE; RS8000AC,HIPS,T2.5,COOL WH	SA	1

# 6. DOOR REF

DOOR REF

Exploded View





## Parts List

No.	Lvl.	Loc.	Material Code	Description & Specification	SNA	Qty.
1	2		DA93-00954B	ASSY DOOR SUB-REF DOOR MODULE; RS8000 F/L	SNA	1
1-1	3	Z1100	DA91-05450A	ASSY DOOR FOAM-REF; RS8000NC,8SERIES, DEC	SA	1
1-1-1	4		DA97-21739A	ASSY PLATE DOOR-REF; RS8000NC,8SERIES,LON	SNA	1
1-1-1-1	5	A0048	DA97-19771A	ASSY CAP DOOR-REF LOW; RS8000NC,BLACK,2DO	SNA	1
1-1-1-1-1	6	A1017	DA61-07526A	STOPPER DOOR-REF LOW; POLARIS,PO-SPHC,T4,	SA	1
1-1-1-1-2	6	G0554	DA66-00557A	CAM HINGE-RISER UPP R; GUGGENHEIM,PA66+GF	SA	1
1-1-1-1-3	6	G0412	6002-000524	SCREW-TAPPING; SWRCH18A,ZPC(WHT),L20,M4,T	SA	3
1-1-1-2	5		DA97-21731A	ASSY CAP DOOR-REF UP; RS8000NC,INOX GRAY,	SNA	1
1-1-1-2-1	6		DA67-02795C	CAP-SHAFT HOLE; AW3,ABS,HG-0760GP,SNOW WH	SA	1
1-1-1-3	5	G0412	6002-001547	SCREW-TAPPING; SWRCH18A,ZPC(WHT),L10,M4,F	SA	1
1-1-2	4	M0196	DA64-04020C	MASCOT; ALL,Ni,-,T0.06,L80	SA	1
1-2	3		DA97-19851E	ASSY GASKET-REF; RS8000NC,L1642.5,W469.5,	SA	1
2	1	A0166	DA90-12720A	ASSY GUARD; RS8000AC,IN DOOR I/M,GRAY	SNA	1
2-1	2	M0447	DA63-09329C	GUARD-REF UP; RS8000NC F/L,GPPS,T3.5,TP G	SA	4
2-2	2	M0369	DA63-09330C	GUARD-REF LOW; RS8000NC F/L,GPPS,T3.5,TP	SA	1