

# 1. AC100JXSCGH/EU

AC100JXSCGH/EU

## Exploded View

### Parts List

No.	Lvl.	Loc.	Material Code	Description & Specification	SNA	Qty.
1	1		DB90-12443A	ASSY CABI OUT PARTS; AC125JXSCGH/EU,NORDI	SNA	1
1-1	2		DB64-02525C	CABINET-INSTALL BACK; RC160MHXEA,EGI-SECC	SA	1
1-2	2		DB64-02526C	CABINET-INSTALL FRONT; RC100PHXEA,EGI-SEC	SA	1
1-3	2	A2620	DB90-06030E	ASSY CABI FRONT-LF; AC125JXSCGH/EU,NORDIC	SNA	1
1-3-1	3	G0153	DB63-02728C	GUARD FAN; UB CHASSIS,PP+TD20%,T2.5,EARTH	SA	2
1-3-2	3		DB64-02533D	CABINET FRONT-LF; AC125JXSCGH/EU,EGI-SECC	SA	1
1-4	2	A0212	DB90-05902E	ASSY CABINET-TOP; RC090MHXEA,EHS MONO	SA	1
1-5	2	A0092	DB90-05873L	ASSY BASE OUT; AC125JXSCGH/EU,NORDIC	SA	1
1-6	2	A2609	DB90-05905E	ASSY CABI BACK-RH; CAC,UB3	SA	1
1-7	2	A0173	DB90-05906E	ASSY CABI FRONT RH; CAC,UB3	SA	1
1-8	2	A1748	DB94-02721D	ASSY PARTITION; AC145JX4PHH1	SNA	1
1-9	2		DB63-02729E	GUARD COND; AC125JXSCGH/EU,MSWR,EARTH BRO	SA	1
2	1		DB93-17586A	ASSY CONTROL OUT PARTS; AC125JXSCGH/EU,NO	SNA	1
2-1	2	S0242	DB81-00635A	SPRING ETC-SENSOR; DVM-SYSTEM,STS304,ID2.	SA	2
2-2	2	A0630	DB93-08235H	ASSY CONNECTOR WIRE-COMP; 3,3343,14,YEL,H	SA	1
2-3	2		DB92-05261A	ASSY PBA KIT-OUT MODULE; INVERTER,CAC_Nor	SNA	1
2-4	2		DB95-04871E	ASSY THERMISTOR OUT-SUB OUT; SMH250-08L/W	SA	1
2-5	2		DB61-05376A	HOLDER-HEATER; RC160MHXEA,STS316L,W15,L26	SA	4
2-6	2	A1301	DB95-04647A	ASSY HEATER; EHS GEN3 Mono,230V 150W	SA	1

Exploded Views and Parts List

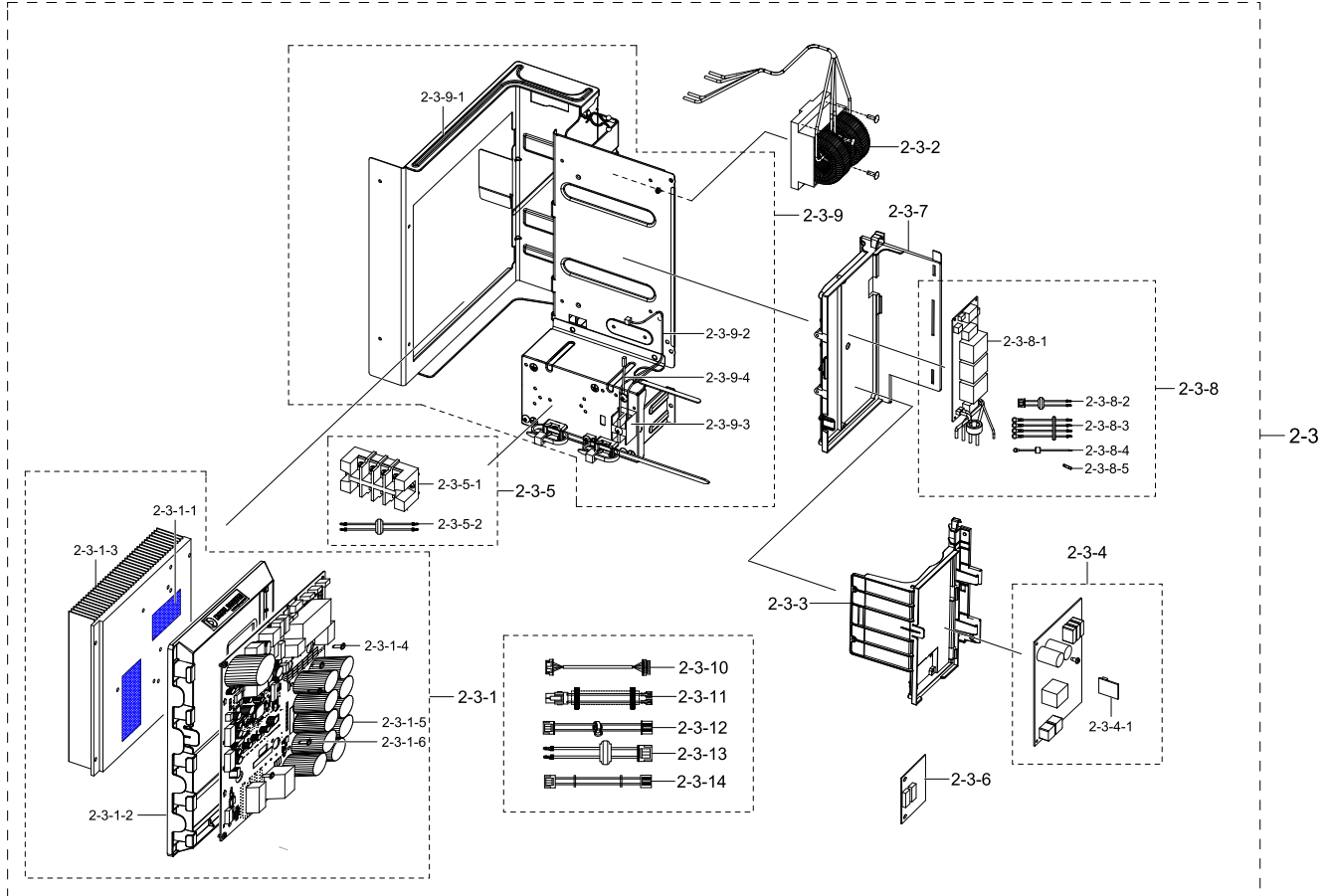
No.	Lvl.	Loc.	Material Code	Description & Specification	SNA	Qty.
3	1		DB94-05635A	ASSY FAN OUT PARTS; AC125JXSCGH/EU,NORDIC	SNA	1
3-1	2	M0039	DB31-00579A	MOTOR FAN; 125W,DC310V,CLASS E	SA	2
3-2	2		DB60-00405A	FASTENER-WASHER; RC100ZHxEA,SWRCH10A,M8	SA	2
3-3	2	A2803	DB90-05970D	ASSY BRACKET MOTOR; AC140HCAPKH/EU	SA	1
3-4	2		DB94-05673A	ASSY FAN PROPELLER-TOTAL; AC125JXSCGH/EU,	SA	2
3-4-1	3		DB94-03277B	ASSY FAN PROPELLER; MAN-U,520 PI, NATURAL	SC	2
3-5	2	S0019	DB60-00150A	SCREW-SPECIAL; HWH,M4,L26,ZPC(WHT),SWRCH1	SA	8
4	1		DB95-04742A	ASSY COMP PARTS; RC140PHxEA,Global 4W-CST	SNA	1
4-1	2		DB63-03166A	FELT-COMP TOP IN; -,EVAR/FELT,T11.5,W169,	SA	1
4-2	2		DB63-03167A	FELT-COMP SIDE; -,EVAR/FELT,T11.5,W400,L7	SA	1
4-3	2		UG5T450FXAJXSG	RCP,COMP,RCP,,R410A; RCP,COMP,RCP,,R410A		1
4-4	2	S0018	DB60-30028A	NUT-FLANGE; HWH,M8,ZPC(WHT),SWRCH18A,P1.2	SA	3
5	1		DB96-20032A	ASSY COND PARTS; AC100HCAPKH/EU	SNA	1
5-1	2		DB96-20037A	ASSY COND-MODULE; AC140HCAPKH/EU,UB3	SA	1
5-1-1	3		DB90-08238B	ASSY SUPPORT; AC140HCAPKH/EU	SA	1
6	1		DB96-21332A	ASSY TUBE OUT PARTS; AC125JXSCGH/EU,NORDI	SNA	1
6-1	2	A0081	DB96-19979E	ASSY TUBE-VALVE; AC125JXSCGH/EU	SNA	1
6-1-1	3		DB96-19972D	ASSY TUBE 4WAY; AC125JXSCGH/EU	SA	1
6-1-1-1	4	V0010	DB62-02834A	VALVE 4WAY; ,-,Common,5	SA	1
6-1-1-2	4	S0247	DB33-00002K	SOLENOID-COIL ASSY; 220V	SA	1
6-1-1-3	4		DB62-09658C	VALVE SERVICE-SPINDLE; R410A,15.88	SA	1
6-1-1-4	4	A0316	DB96-14716A	ASSY-ACCUMULATOR; RC100PHxEA,1600CC	SA	1
6-1-1-5	4		DB67-70011C	WEIGHT-RUBBER; NR,T22,W32,BLACK	SA	1
6-1-2	3		DB96-19975C	ASSY TUBE EEV; AC125JXSCGH/EU	SA	1
6-1-2-1	4		DB62-09654C	VALVE SERVICE-SPINDLE; R410A,9.52	SA	1
6-1-2-2	4	V0001	DB62-04421A	VALVE EXPAN; STS304,2.4mm,500	SA	1
6-1-2-3	4	V0048	DB62-11206A	VALVE COIL EXPAN; DC12V,COIL,1000,18.95,M	SA	1
6-1-3	3		DB90-05874C	ASSY BRACKET-VALVE; RC100DHxEA,T1.2, UB	SA	1
7	1		DB97-27862B	ASSY ACCESSORY OUT PARTS; Bio. N	SNA	1

No.	Lvl.	Loc.	Material Code	Description & Specification	SNA	Qty.
7-1	2		DB97-25096B	ASSY PACKING; Bio. N	SNA	1
7-1-1	3	Z0166	DB73-20134A	RUBBER-LEG; V2-MD,NBR,T10,BLACK	SA	4

## 2. ASSY KIT-OUT

### ASSY KIT-OUT

#### Exploded View



#### Parts List

No.	Lvl.	Loc.	Material Code	Description & Specification	SNA	Qty.
2-3	2		DB92-05261A	ASSY PBA KIT-OUT MODULE; INVERTER,CAC_Nor	SNA	1
2-3-1	3		DB92-05266A	ASSY PBA KIT-INVERTER; OUTDOOR,PF#6_SAFET	SNA	1
2-3-1-1	4		0205-000178	GREASE-SILICON; YG6111,WHITE, for assembl	SA	0.007
2-3-1-2	4		DB61-06473A	CASE PCB; AC145JX4PHH1,ABS,L269.4,NATURAL	SA	1
2-3-1-3	4	H0034	DB62-12095A	HEAT SINK; NEW PLATFORM #6,Al,15.58,200,1	SA	1
2-3-1-4	4	A2876	DB91-00307A	ASSY-SCREW MACHINE; WW-INV,M4*16,WSP,PH,+	SA	2
2-3-1-5	4		DB92-04537C	ASSY PCB INVERTER; INVERTER,PF#6_SAFETY,2	SA	1

No.	Lvl.	Loc.	Material Code	Description & Specification	SNA	Qty.
2-3-1-6	4	A2876	DB91-00306A	ASSY-SCREW MACHINE; BLDC INV. CONTROLLER,	SA	2
2-3-2	3		DB27-00100A	COIL HARMONIC; 5mH,86.0x94.5xTmm,20A,-	SA	1
2-3-3	3		DB61-05743A	CASE-PCB; AM053FXMDCH/AA,HIPS,T2,L243.3,N	SA	1
2-3-4	3	A0743	DB92-03310H	ASSY PCB MAIN-OUT; OUTDOOR MAIN,CPAC NASA	SA	1
2-3-4-1	4		DB93-12483A	ASSY PCB SUB-EEPROM; SUB,DVMPLUS4 UP,20*2	SA	1
2-3-5	3	A0675	DB93-13571A	ASSY CONNECTOR WIRE-TERMINAL; 2,1015,18,S	SA	1
2-3-5-1	4	T0174	DB65-00185C	TERMINAL BLOCK; CAC INVERTER,DATB-S,600V,	SA	1
2-3-5-2	4		DB93-05434C	ASSY CONNECTOR WIRE-SN; 2,1015,18,BRN,ST7	SA	1
2-3-6	3		DB93-13218A	ASSY PCB SUB-HEATER; SUB,EHS_GEN3,42*60,2	SA	1
2-3-7	3		DB61-04502D	CASE-EMI; RC090MHXEA,HIPS,L0,NATURAL,VE-1	SA	1
2-3-8	3	A0694	DB92-03542A	ASSY PCB SUB; SUB,GLOBAL 4WAY,230X130,380	SA	1
2-3-8-1	4		DB41-01304A	PCB SUB; FR-4,2Layer,T1.6,230X130,1,3PHAS	SNA	1
2-3-8-2	4	A0664	DB93-10871A	ASSY CONNECTOR WIRE-POWER; 2,1015,18,BRN,	SA	1
2-3-8-3	4		DB93-10811A	ASSY CONNECTOR WIRE-EMI TO TERMINAL POWE; ASSY CONNECTOR WIRE-EMI TO TERMINAL POWE	SA	1
2-3-8-4	4	A0646	DB93-05379F	ASSY CONNECTOR WIRE-EARTH; 1,1015,16,YEL/	SA	1
2-3-8-5	4	F0178	3601-001426	FUSE-ETC; 500V,25A,SLOW-BLOW,FIBER,10.3x3	SA	3
2-3-9	3	A3096	DB93-10966L	ASSY CONTROL OUT; HP,Inv,14.0kW,AC140HCAD	SNA	1
2-3-9-1	4		DB90-05889A	ASSY CASE CONTROL; RC100PHXEA,ManU	SA	1
2-3-9-2	4	A2934	DB93-10808J	ASSY CONNECTOR WIRE-COMM; 2,1015,22,RED,Y	SA	1
2-3-9-3	4	T0179	DB65-00274A	TERMINAL BLOCK; TERMINAL BLOCK,Polycarbon	SA	1
2-3-9-4	4	A0646	DB93-08805B	ASSY CONNECTOR WIRE-EARTH; 1,1015,18,YEL/	SA	1
2-3-10	3	A2934	DB93-04273B	ASSY CONNECTOR WIRE-COMM; 6,2095,26,BLU,S	SA	1
2-3-11	3		DB93-10864B	ASSY CONNECTOR WIRE-POWER RST; 3,1015,14,	SA	1

Exploded Views and Parts List

---

No.	Lvl.	Loc.	Material Code	Description & Specification	SNA	Qty.
2-3-12	3	Z0154	DB93-10809A	ASSY CONNECTOR WIRE-EMI TO MAIN POWER; 2	SA	1
2-3-13	3	A2610	DB93-11241A	ASSY CONNECTOR WIRE-REACTOR; 2,1015,12,WH	SC	1
2-3-14	3		DB93-13262A	ASSY CONNECTOR WIRE-HEATER; 2,1015,18,BRN	SA	1