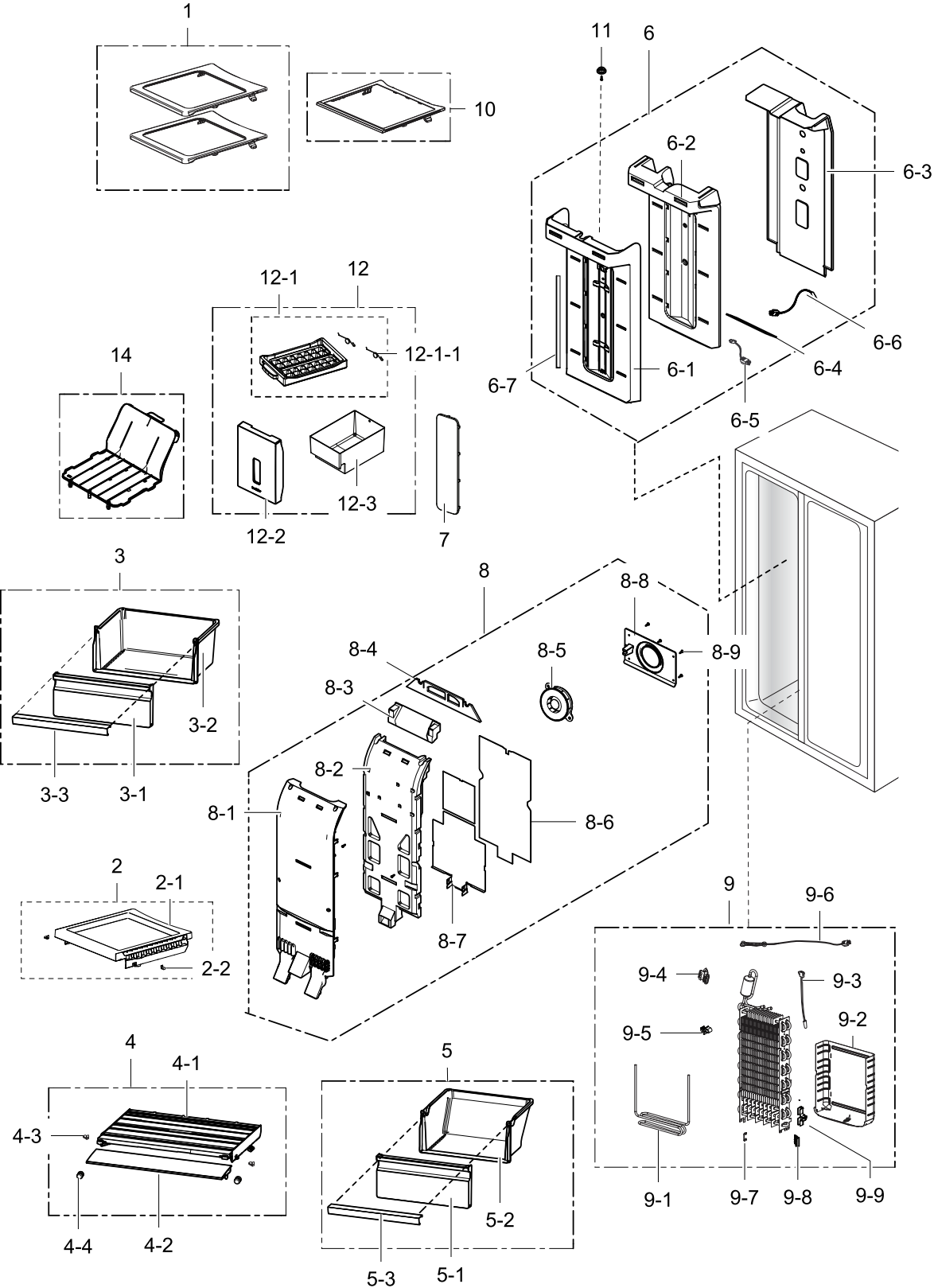


1. Freezer

Exploded View



Parts List

| No. | Lvl. | Loc. | Material Code | Description & Specification | SNA | Qty. |
|-----|------|-------|---------------|--|-----|------|
| 1 | 2 | | DA97-12994A | ASSY SHELF-FRE TOP; HM12-PJT(BASIC) | SA | 2 |
| 2 | 2 | M0310 | DA97-12766A | ASSY SHELF FRE-LOW; HM10-SEPM,RAIL TWO-PI | SA | 1 |
| 2-1 | 3 | Z1179 | DA67-03384A | SHELF FRE-LOW; HERMES,ABS,COOL WHITE,HB,H | SNA | 1 |
| 2-2 | 3 | G0587 | DA63-00202C | GROMMET-RAIL; TD-PJT,PA66,W10.7,COOL WHIT | SA | 6 |
| 3 | 2 | Z1189 | DA97-12803B | ASSY CASE-BASKET HIGH; HM12-PJT | SA | 1 |
| 3-1 | 3 | A1183 | DA63-07072A | COVER VEG-HIGH; HM12,GPPS,HB,TP BLUE,165N | SNA | 1 |
| 3-2 | 3 | A0677 | DA61-08432A | CASE VEG-HIGH; HM12,GPPS,TP BLUE,HB,165N, | SNA | 1 |
| 3-3 | 3 | | DA64-03862L | TRIM-TRAY FRE; HERMES-12,HIPS,S834S1,COOL | SA | 2 |
| 4 | 2 | | DA97-12807A | ASSY COVER-SLIDE BASKET; HM12-PJT | SA | 1 |
| 4-1 | 3 | M0272 | DA63-07017A | COVER VEG-LOW; HM10,ABS,HB,COOL WHITE,HG- | SNA | 1 |
| 4-2 | 3 | | DA63-07076A | COVER SLIDE-VEG; HM12,PETG,HB,NATURAL,T90 | SNA | 1 |
| 4-3 | 3 | G0587 | DA63-00202C | GROMMET-RAIL; TD-PJT,PA66,W10.7,COOL WHIT | SA | 6 |
| 4-4 | 3 | | DA63-07113A | GROMMET-COVER SIDE; HM12,SI,Transparency | SA | 4 |
| 5 | 2 | A0496 | DA97-12804B | ASSY CASE-BASKET LOW; HM12-PJT | SA | 1 |
| 5-1 | 3 | M0272 | DA63-07073A | COVER VEG-LOW; HM12,GPPS,HB,TP BLUE,HI-IM | SNA | 1 |
| 5-2 | 3 | M0268 | DA61-08433A | CASE VEG-LOW; HM12,GPPS,TP BLUE,HB,165N,H | SNA | 1 |
| 5-3 | 3 | | DA64-03862L | TRIM-TRAY FRE; HERMES-12,HIPS,S834S1,COOL | SA | 2 |
| 6 | 2 | M0304 | DA97-12821A | ASSY COVER MULTI-FRE; HM12,IN-DOOR,NOMAL | SA | 1 |
| 6-1 | 3 | | DA63-07061A | COVER MULTI-FRE; HM12,PP,HB,COOL WHITE,EP | SNA | 1 |
| 6-2 | 3 | | DA62-03721A | INSULATION-MULTI FRE; HM12,PS FOAM,WHITE | SNA | 1 |
| 6-3 | 3 | | DA61-08424A | PLATE-INS MULTI FRE; HM12,PP,T2,BLACK,HB, | SNA | 1 |
| 6-4 | 3 | | DA62-03766A | SEAL-MULTI FRE LOW; HM12,OJC-3000,WHITIE,T | SNA | 1 |
| 6-5 | 3 | | DA96-00768M | ASSY WIRE HARNESS-LED; ALL,12VDC,ALL,UL,A | SA | 1 |
| 6-6 | 3 | A1018 | DA32-00006D | SENSOR TEMP; PX-41C,502AT,DKST1329GW,EXPO | SA | 1 |

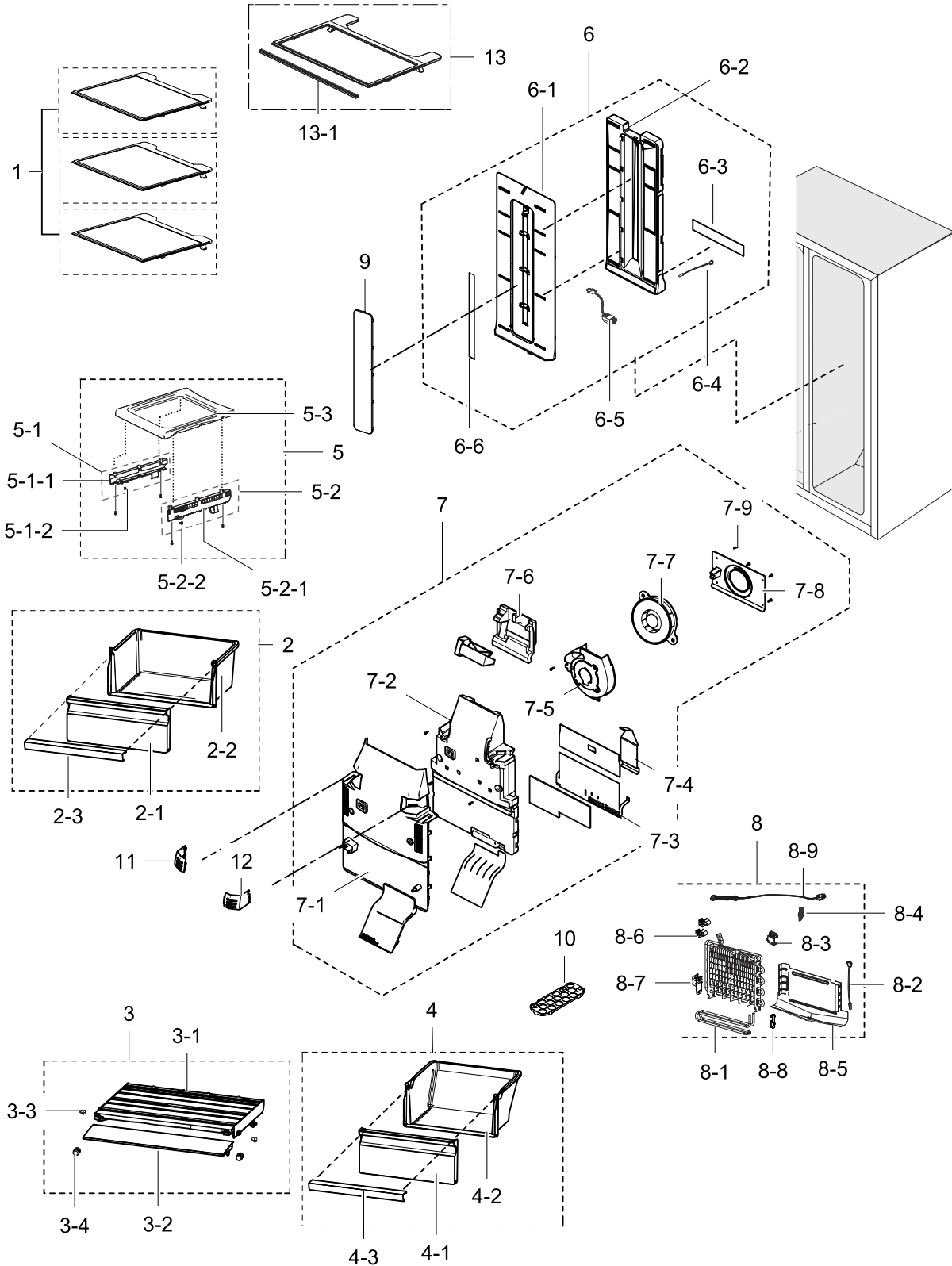
| No. | Lvl. | Loc. | Material Code | Description & Specification | SNA | Qty. |
|------|------|-------|---------------|--|-----|------|
| 6-7 | 3 | G0090 | DA41-00749C | ASSY LAMP LED; 8ea,CEM-1,335*20,WHITE,SMA | SA | 1 |
| 7 | 2 | M0152 | DA63-05297A | COVER LAMP-FRE; TWIN-K,PP,HB,Natural,BJ75 | SA | 1 |
| 8 | 2 | M0303 | DA97-12820A | ASSY COVER EVAP-FRE; HM12,BASIC, AIO Slim | SA | 1 |
| 8-1 | 3 | | DA63-07060A | COVER EVAP-FRE; HM12,PP,HB,COOL WHITE,EP4 | SNA | 1 |
| 8-2 | 3 | | DA62-03720A | INSULATION-EVAP FRE A; HM12,PS FOAM,WHITE | SNA | 1 |
| 8-3 | 3 | | DA62-03722A | INSULATION-EVAP FRE B; HM12,PS FOAM,WHITE | SNA | 1 |
| 8-4 | 3 | | DA62-03765A | SEAL-COVER EVAP FRE HIGH; HM12,PE FOAM,WH | SNA | 1 |
| 8-5 | 3 | | DA31-00334C | MOTOR BLDC FAN; 12035GE-12M-YT-F1,17757 | SA | 2 |
| 8-6 | 3 | | DA62-03764A | SEAL-COVER EVAP FRE REAR; HM12,FOAM-PE+AL | SA | 1 |
| 8-7 | 3 | | DA61-05991C | PLATE-EVAP HEATER FRE; HERMES,GL-SAZCC,T0 | SA | 1 |
| 8-8 | 3 | M0143 | DA61-08425A | CASE-MOTOR FRE; HM12,ABS,LIGHT GRAY,CNTK | SA | 1 |
| 8-9 | 3 | G0412 | 6002-001204 | SCREW-TAPPING; TH,+,-,1,M4,L16,PASS,STS43 | SNA | 8 |
| 9 | 2 | A0163 | DA96-00675U | ASSY EVAP-FRE; HM12,FIN TUBE,A1070,230V,2 | SA | 1 |
| 9-1 | 3 | G0515 | DA47-00320L | HEATER METAL SHEATH; AC230V,HM10 FRE, 264 | SNA | 1 |
| 9-2 | 3 | | DA61-05989B | PLATE-DRAIN EVAP FRE; HERMES,GL-SAZCC,T0. | SNA | 1 |
| 9-3 | 3 | A1018 | DA32-00029N | SENSOR TEMP; DTN-C502G6X,DKST1329GW,NEXT- | SNA | 1 |
| 9-4 | 3 | T0066 | DA61-00603A | FIXER SENSOR; n-PJT,PP,T2.0,NATURAL,HB,BJ | SNA | 1 |
| 9-5 | 3 | M0475 | DA61-06013A | FIXER-WIRE; AW3-PJT,PP,NTR | SNA | 3 |
| 9-6 | 3 | A1008 | DA47-00301F | THERMO FUSE-ASSY; AC250V,10A,109~110??S | SNA | 1 |
| 9-7 | 3 | M0475 | DA61-06013A | FIXER-WIRE; AW3-PJT,PP,NTR | SNA | 3 |
| 9-8 | 3 | A0744 | DA61-05160A | FIXER FUSE; CULLI_09,PP,T2.0,NATURAL,HB,B | SNA | 2 |
| 9-9 | 3 | G0521 | DA61-06691A | FIXER-WIRE FRE SUB; HM/GGH/HAEMIL,PP,NATU | SNA | 1 |
| 10 | 2 | | DA97-16729A | ASSY SHELF-FRE MIDDLE; RS4000K | SA | 1 |
| 11 | 2 | G0200 | DA61-01797A | FIXER GROMMET-DOOR; T3-PJT,PP,T2.5,COOL W | SA | 1 |
| 12 | 1 | A0104 | DA90-07591D | ASSY ICE MAKER; RS7528*/RS7527*,BASIC | SA | 1 |
| 12-1 | 2 | A0105 | DA97-13263A | ASSY TRAY ICE; ROSSO,SBS,TWIST | SA | 1 |

Exploded Views and Parts List

| No. | Lvl. | Loc. | Material Code | Description & Specification | SNA | Qty. |
|--------|------|-------|---------------|--|-----|------|
| 12-1-1 | 3 | | DA61-20136A | SPRING ETC-ICE MAKER; SR-53EA,STS304,COIL | SNA | 2 |
| 12-2 | 2 | M0431 | DA63-07150A | COVER TRAY-ICE; HM12,GPPS,HB,TP BLUE,165N | SC | 1 |
| 12-3 | 2 | A0718 | DA61-08540A | CASE-TRAY ICE; HM12,SAN,NATURAL,HF-5661 | SA | 1 |
| 14 | 2 | | DA97-14635A | ASSY SHELF-FRE BOTTOM; HM A+++ | SA | 1 |

2. Fridge

Exploded View



Parts List

| No. | Lvl. | Loc. | Material Code | Description & Specification | SNA | Qty. |
|-------|------|-------|---------------|---|-----|------|
| 1 | 2 | M0293 | DA67-04253A | SHELF-REF UP; RS4000K,PP,COOL WHITE,EP448 | SA | 3 |
| 2 | 2 | Z1188 | DA97-12801B | ASSY CASE-VEG HIGH; HM12-PJT | SA | 1 |
| 2-1 | 3 | A1182 | DA63-07075A | COVER BASKET-HIGH; HM12,GPPS,HB,165N,TP B | SA | 1 |
| 2-2 | 3 | | DA61-08435A | CASE BASKET-HIGH; HM12,GPPS,TP BLUE,HB,16 | SA | 1 |
| 2-3 | 3 | | DA64-03862K | TRIM-TRAY FRE; HERMES-12,HIPS,S834S1,COOL | SA | 2 |
| 3 | 2 | | DA97-12806A | ASSY COVER-SLIDE VEG; HM12-PJT | SA | 1 |
| 3-1 | 3 | G0408 | DA63-07054A | COVER BASKET-LOW; HM10,ABS,HB,COOL WHITE, | SNA | 1 |
| 3-2 | 3 | | DA63-07077A | COVER SLIDE-BASKET; HM12,PETG,HB,NATURAL, | SNA | 1 |
| 3-3 | 3 | G0587 | DA63-00202C | GROMMET-RAIL; TD-PJT,PA66,W10.7,COOL WHIT | SA | 6 |
| 3-4 | 3 | | DA63-07113A | GROMMET-COVER SIDE; HM12,SI,Transparency | SA | 4 |
| 4 | 2 | M0236 | DA97-12802B | ASSY CASE-VEG LOW; HM12-PJT | SA | 1 |
| 4-1 | 3 | G0408 | DA63-07074A | COVER BASKET-LOW; HM12,GPPS,HB,165N,TP, B | SNA | 1 |
| 4-2 | 3 | G0407 | DA61-08434A | CASE BASKET-LOW; HM12,GPPS,TP BLUE,HB,165 | SNA | 1 |
| 4-3 | 3 | | DA64-03862K | TRIM-TRAY FRE; HERMES-12,HIPS,S834S1,COOL | SA | 2 |
| 5 | 2 | G0284 | DA97-12764A | ASSY SHELF REF-LOW; HM10-SEPM,RAIL-TWO PI | SA | 1 |
| 5-1 | 3 | G0565 | DA97-05233B | ASSY RAIL-BOX L; HERMES-PJT,T2.0,W17,L260 | SA | 1 |
| 5-1-1 | 4 | | DA61-03413B | RAIL-BOX L; HERMES-PJT,TALC PP,-,-,NATU | SNA | 1 |
| 5-1-2 | 4 | G0587 | DA63-00202C | GROMMET-RAIL; TD-PJT,PA66,W10.7,COOL WHIT | SA | 2 |
| 5-2 | 3 | G0566 | DA97-05234B | ASSY RAIL-BOX R; HERMES-PJT,T2.0,W17,L260 | SA | 1 |
| 5-2-1 | 4 | | DA61-03412B | RAIL-BOX R; HERMES-PJT,TALC PP,-,-,NATU | SNA | 1 |
| 5-2-2 | 4 | G0587 | DA63-00202C | GROMMET-RAIL; TD-PJT,PA66,W10.7,COOL WHIT | SA | 2 |
| 5-3 | 3 | A0682 | DA67-03385A | SHELF REF-LOW; HM10,ABS,COOL WHITE,HG-076 | SNA | 1 |
| 6 | 2 | G0239 | DA97-12823A | ASSY COVER MULTI-REF; HM12,COOL WHITE,LED | SA | 1 |
| 6-1 | 3 | A0689 | DA63-07081A | COVER MULTI-REF; HM12,PP,HB,COOL WHITE,EP | SNA | 1 |
| 6-2 | 3 | A0695 | DA62-03726A | INSULATION-MULTI REF; HM12,PS FOAM,WHITE, | SNA | 1 |

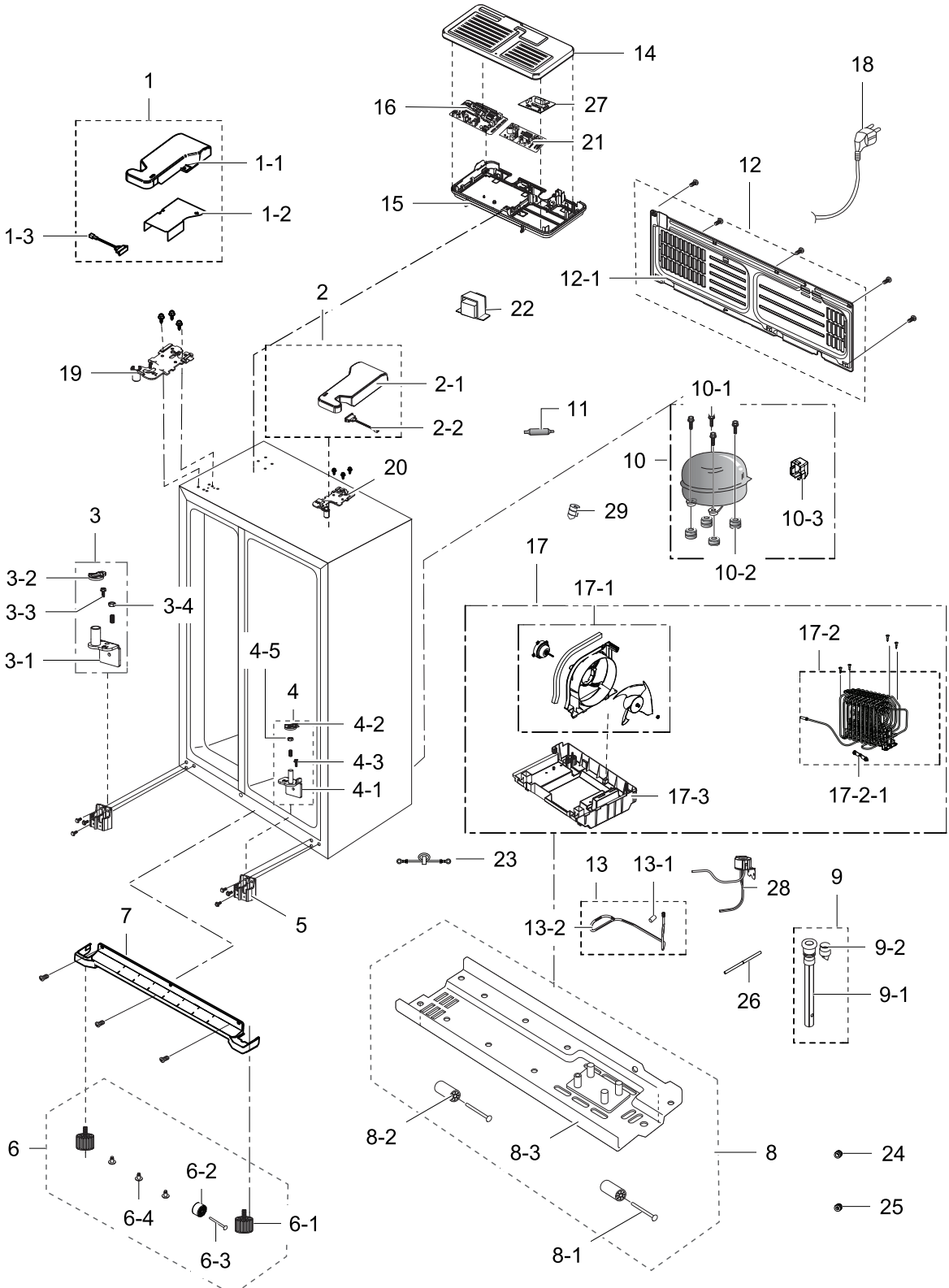
| No. | Lvl. | Loc. | Material Code | Description & Specification | SNA | Qty. |
|-----|------|-------|---------------|--|-----|------|
| 6-3 | 3 | | DA61-03361A | PLATE-MULTI REF REAR; HERMES,PP,T0.6,-,-, | SNA | 1 |
| 6-4 | 3 | A1018 | DA32-10105U | SENSOR TEMP; 502AT,A-TOP,-50~50,5V,-,-,RO | SA | 1 |
| 6-5 | 3 | G0563 | DA96-00424F | ASSY WIRE HARNESS-LED; ALL,12VDC,ALL,UL,A | SA | 1 |
| 6-6 | 3 | T0096 | DA41-00519Y | ASSY LAMP LED; 9ea,FR-4,490*20,WHITE,SMAW | SA | 1 |
| 7 | 2 | Z1177 | DA97-12824C | ASSY COVER EVAP-REF; HM12,COOL WHITE,BASI | SA | 1 |
| 7-1 | 3 | | DA63-07079A | COVER EVAP-REF; HM12,PP,HB,COOL WHITE,EP4 | SNA | 1 |
| 7-2 | 3 | | DA62-03727A | INSULATION EVAP-REF A; HM12,PS FOAM,WHITE | SNA | 1 |
| 7-3 | 3 | | DA61-05993B | PLATE-EVAP HEATER REF; HERMES,Al,T0.3 | SA | 1 |
| 7-4 | 3 | | DA61-06244A | PLATE-DRAIN INS EVAP REF; HERMES,A1100,T0 | SA | 1 |
| 7-5 | 3 | | DA61-08437A | GUIDE AIR-REF; HM12,HIPS,HB,454N,NATURAL, | SA | 1 |
| 7-6 | 3 | | DA62-03734A | INSULATION EVAP-REF B; HM12,PS FOAM,WHITE | SNA | 1 |
| 7-7 | 3 | | DA31-00334C | MOTOR BLDC FAN; 12035GE-12M-YT-F1,17757 | SA | 2 |
| 7-8 | 3 | | DA61-08438A | PLATE-MOTOR REF; HM12,ABS,T2,NATURAL,AIO | SA | 1 |
| 7-9 | 3 | G0412 | 6002-001204 | SCREW-TAPPING; TH,+,-,1,M4,L16,PASS,STS43 | SNA | 8 |
| 8 | 2 | A0184 | DA96-00676K | ASSY EVAP-REF; HERMES,FIN PIPE,A1070S-H14 | SA | 1 |
| 8-1 | 3 | A0921 | DA47-00321L | HEATER METAL SHEATH; AC230V,HM10 REF, 377 | SA | 1 |
| 8-2 | 3 | A1018 | DA32-00029R | SENSOR TEMP; DTN-C502G6X, DKST1329GW,SSED | SA | 1 |
| 8-3 | 3 | | DA61-03683A | FIXER-SENSOR; AW-PJT,PP,NATURAL,V-0 | SNA | 1 |
| 8-4 | 3 | A0744 | DA61-05160A | FIXER FUSE; CULLI_09,PP,T2.0,NATURAL,HB,B | SNA | 2 |
| 8-5 | 3 | M0404 | DA61-05702B | PLATE-DRAIN EVAP REF; HERMES, GUGGENHEIM, | SNA | 1 |
| 8-6 | 3 | M0475 | DA61-06013A | FIXER-WIRE; AW3-PJT,PP,NTR | SNA | 3 |
| 8-7 | 3 | G0519 | DA61-06062A | PLATE-EVAP BRACKET REF; HERMES/GUGGENHEIM | SA | 1 |
| 8-8 | 3 | G0522 | DA61-06700A | FIXER-HEATER WIRE REF; HM/GGH/HAEMIL,PP,N | SNA | 2 |
| 8-9 | 3 | A1008 | DA47-00301B | THERMO FUSE-ASSY; AC250V,10A,109~110??S | SA | 1 |
| 9 | 2 | A0710 | DA63-07034A | COVER-LAMP REF; HM10-SEPM,PP,HB,NATURAL,E | SA | 1 |
| 10 | 2 | Z1106 | DA67-40322A | TRAY-EGG; SR-51.55.59,GPPS,-,-,-,-,- | SA | 1 |
| 11 | 2 | | DA63-07080A | COVER DEODORIZER-L; HM12,PP,HB,COOL WHITE | SA | 1 |

Exploded Views and Parts List

| No. | Lvl. | Loc. | Material Code | Description & Specification | SNA | Qty. |
|------|------|-------|---------------|--|-----|------|
| 12 | 2 | | DA63-07083A | COVER DEODORIZER-R; HM12,PP,HB,COOL WHITE | SA | 1 |
| 13 | 2 | A0909 | DA97-12797B | ASSY SHELF-REF MID; HM12-PJT,WHITE TRIM | SA | 1 |
| 13-1 | 3 | | DA64-03760E | TRIM SHELF-REAR; HERMES-12,ABS,HG-06601,L | SA | 1 |

3. Cabinet

Exploded View



Parts List

| No. | Lvl. | Loc. | Material Code | Description & Specification | SNA | Qty. |
|-----|------|-------|---------------|--|-----|------|
| 1 | 2 | A0241 | DA97-12758C | ASSY COVER HINGE-UPP L; HM10-SEPM,T2.5,W1 | SA | 1 |
| 1-1 | 3 | A0913 | DA63-07032C | COVER-HINGE UPP L; HM10-SEPM,ABS,T2.5,156 | SA | 1 |
| 1-2 | 3 | M0289 | DA61-08395A | PLATE-COVER HINGE; HM10-SEPM,GI-SGCC,T0.3 | SA | 1 |
| 1-3 | 3 | G0068 | DA34-00043C | SWITCH REED; 13mm,UL1007 AWG 22,100,HOOK | SA | 2 |
| 2 | 2 | A0243 | DA97-06159F | ASSY COVER HINGE-UPP R; GUGGENHEIM(EXP),S | SA | 1 |
| 2-1 | 3 | A0244 | DA63-04180F | COVER HINGE-UPP R; GUGGENHEIM(EXP),ABS,HB | SA | 1 |
| 2-2 | 3 | G0068 | DA34-00043C | SWITCH REED; 13mm,UL1007 AWG 22,100,HOOK | SA | 2 |
| 3 | 2 | M0245 | DA97-06158B | ASSY HINGE LOW-L; GUGGENHEIM,BLK | SA | 1 |
| 3-1 | 3 | A0947 | DA61-04191A | HINGE-LOW LEFT; GUGGENHEIM,PO-SPHC,T4.5 | SNA | 1 |
| 3-2 | 3 | G0556 | DA66-00560B | CAM HINGE-RISER LOW L; GUGGENHEIM,PA66,BL | SNA | 1 |
| 3-3 | 3 | | 6011-001442 | BOLT-SOCKET; M8,L13.4,ZPC(BLK),SCM435,4mm | SNA | 2 |
| 3-4 | 3 | A0837 | 6021-001125 | NUT-HEXAGON; 3,M8,ZPC(WHT),SWCH10A | SNA | 2 |
| 4 | 2 | M0246 | DA97-06157B | ASSY HINGE LOW-R; GUGGENHEIM,BLK | SA | 1 |
| 4-1 | 3 | | DA61-04190A | HINGE-LOW R; GUGGENHEIM,PO-SPHC,T4.5 | SNA | 1 |
| 4-2 | 3 | G0555 | DA66-00559A | CAM HINGE-RISER LOW R; GUGGENHEIM,PA66,BL | SNA | 1 |
| 4-3 | 3 | | 6011-001442 | BOLT-SOCKET; M8,L13.4,ZPC(BLK),SCM435,4mm | SNA | 2 |
| 4-5 | 3 | A0837 | 6021-001125 | NUT-HEXAGON; 3,M8,ZPC(WHT),SWCH10A | SNA | 2 |
| 5 | 2 | G0520 | DA61-06104B | BRACKET HINGE-LOW; HM10,Al | SA | 2 |
| 6 | 2 | | DA97-12691C | ASSY CABINET-BOTTOM FRAME; HM10-SEPM,BASI | SNA | 1 |
| 6-1 | 3 | A0577 | DA61-00805F | FOOT-FRONT; REF-ALL,PP,BLACK,PP_S | SA | 2 |
| 6-2 | 3 | M0145 | DA61-04702A | CASTER-FRONT; AW-PJT,PP,BLACK,PP(M/B 0103 | SA | 1 |
| 6-3 | 3 | M0146 | DA61-01920A | FIXER-CASTER; ZPC2,SWRCH10A,OD8.0,L58 | SA | 3 |
| 6-4 | 3 | G0412 | 6002-000239 | SCREW-TAPPING; TH,+,NO,2S,M4,L8,ZPC(WHT), | SA | 3 |
| 7 | 2 | A0807 | DA63-05292B | COVER LEG-FRONT; HM10,PP,HB,SNOW WHITE,EP | SNA | 1 |
| 8 | 2 | A0738 | DA97-12777A | ASSY CHASSIS-COMP; HM10,IN_DOOR | SNA | 1 |
| 8-1 | 3 | M0146 | DA61-01920A | FIXER-CASTER; ZPC2,SWRCH10A,OD8.0,L58 | SA | 3 |
| 8-2 | 3 | A0527 | DA61-04703A | CASTER-REAR; AW-PJT,PP,BLACK,PP M/B(0103- | SA | 2 |

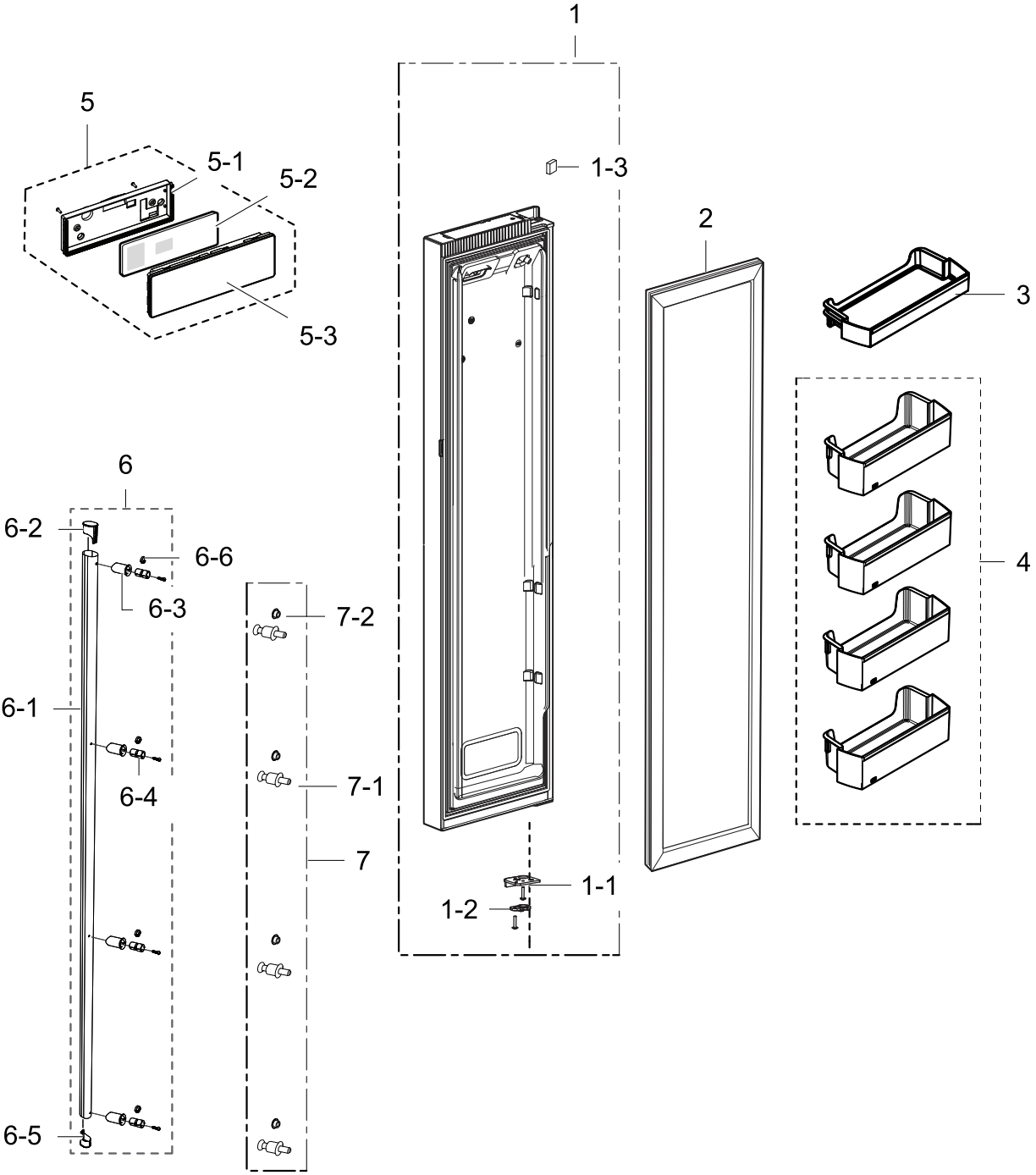
| No. | Lvl. | Loc. | Material Code | Description & Specification | SNA | Qty. |
|--------|------|-------|----------------|---|-----|------|
| 8-3 | 3 | G0580 | DA97-12818A | ASSY CHASSIS-COMP SUB; HM10,IN_DOOR | SA | 1 |
| 9 | 2 | A1100 | DA97-04045A | ASSY TUBE-DRAIN; ET-PJT,SOFT-PVC | SA | 2 |
| 9-1 | 3 | G0070 | DA62-01268A | TUBE-PVC; A-TOP,SF-PVC,T0.7,OD19.4,L215,- | SNA | 2 |
| 9-2 | 3 | G0202 | DA63-00951C | GROMMET-DRAIN HOSE; V2-PJT,NBR,BLACK | SNA | 2 |
| 10 | 2 | | NC4EVA5ALM/AK3 | CMP,COMP,REFRIGERATOR,R-600A; CMP,COMP,REFRIGERATOR,R-600A | | 1 |
| 10-1 | 3 | A0564 | 6011-004061 | BOLT-HEX; M6,L43.6,SWRCH10A | SNA | 4 |
| 10-2 | 3 | Z1112 | DA63-02617A | GROMMET COMP; USP05,EPDM,OD27.0,BLACK | SA | 4 |
| 10-3 | 3 | Z1032 | DA63-06122A | COVER RELAY; MSV,MPPO,T2,BLACK,V-0 | SA | 1 |
| 11 | 2 | A0669 | DA62-04309A | DRYER; C1220T-H,137,SINGLE MOUTH,15.8,9g | SA | 1 |
| 12 | 2 | M0076 | DA97-12759A | ASSY COVER COMP; HM10-SEPM,SGCC,T0.3 | SA | 1 |
| 12-1 | 3 | Z1131 | DA63-07209A | COVER COMP; HM12,GI-SGCC,T0.3 | SNA | 1 |
| 13 | 2 | | DA97-12874A | ASSY PIPE CONNECT; HERMES PJT | SA | 1 |
| 13-1 | 3 | M0334 | DA63-40171D | GROMMET-SUCT PIPE B; RAIL L20,NBR,-,ID5.5 | SA | 1 |
| 13-2 | 3 | M0016 | DA62-03691A | PIPE CONNECT-SUCTION; C1220T-O,OD6.35,T0. | SA | 1 |
| 14 | 2 | G0089 | DA63-05419A | COVER PCB-PANEL; HAEMIL_CULLI,GI-SGCC,T0. | SA | 1 |
| 15 | 2 | | DA61-10737A | CASE PBA-MAIN; ABS,SNOW WHITE | SNA | 1 |
| 16 | 1 | A0952 | DA92-00813G | ASSY PCB MAIN; HM12,247*197,A++, BASIC, T | SA | 1 |
| 17 | 2 | A0529 | DA97-12869B | ASSY TRAY DRAIN WATER; HM14 A+,C160,SPIRA | SA | 1 |
| 17-1 | 3 | M0116 | DA97-15765C | ASSY SUPPORT-CIRCUIT MOTOR; RH9000K | SA | 1 |
| 17-2 | 3 | M0349 | DA97-03962E | ASSY PIPE-SPIRAL COND; HERMES-PJT,VE | SC | 1 |
| 17-2-1 | 4 | M0181 | DA63-40128A | GROMMET-SUB COND; -,NBR,-,-,-,-,-,DARK- | SA | 2 |
| 17-3 | 3 | | DA97-13057B | ASSY TRAY DRAIN WATER-SUB; HM12 SEPM | SA | 1 |
| 18 | 2 | A0273 | 3903-001015 | CBF-POWER CORD; AT,EU,EU3F,3C,250V,16A,BI | SA | 1 |
| 19 | 2 | M0286 | DA61-04188B | HINGE-UPP L; GUGGENHEIM(EXP),PO-SPHC,T3.0 | SA | 1 |
| 20 | 2 | A0813 | DA61-04189B | HINGE-UPP R; GUGGENHEIM(EXP),SHP1,T3.0,-, | SA | 1 |
| 21 | 2 | | DA92-00763E | ASSY PCB INVERTER; INVERTER,HM12,163*98.5 | SA | 1 |
| 22 | 2 | M0489 | DA27-00041B | COIL FILTER; 14.0mH,60*82mm,AC 5A,0.68uF | SA | 1 |
| 23 | 2 | A0562 | DA39-20389L | ASSY WIRE HARNESS-EARTH; ALL,FREE VOLT,UL | SA | 1 |
| 24 | 2 | | DA60-00280A | FITTING-LOKRING 33; SUM23,33, 11SMnPb30K | SA | 1 |
| 25 | 2 | | DA60-00281A | FITTING LOKRING; SUM23,ID5.02,11SMnPb30K, | SA | 1 |

Exploded Views and Parts List

| No. | Lvl. | Loc. | Material Code | Description & Specification | SNA | Qty. |
|-----|------|-------|---------------|--|-----|------|
| 26 | 2 | A0523 | DA73-10190U | PIPE-CONNECT DISC,B; ALL,Cu,C1220T,OD6.35 | SA | 1 |
| 27 | 1 | | DA92-00530A | ASSY MODULE; STD #7 SMPS,FOOD SHOWCASE,32 | SA | 1 |
| 28 | 2 | | DA97-07070C | VALVE STEP; DC12V,MODULE,2WAY | SA | 1 |
| 29 | 2 | | DA63-08943A | GROMMET; BRR9000M,NBR,CAPI GROMMET | SA | 1 |

4. Freezer Door

Exploded View

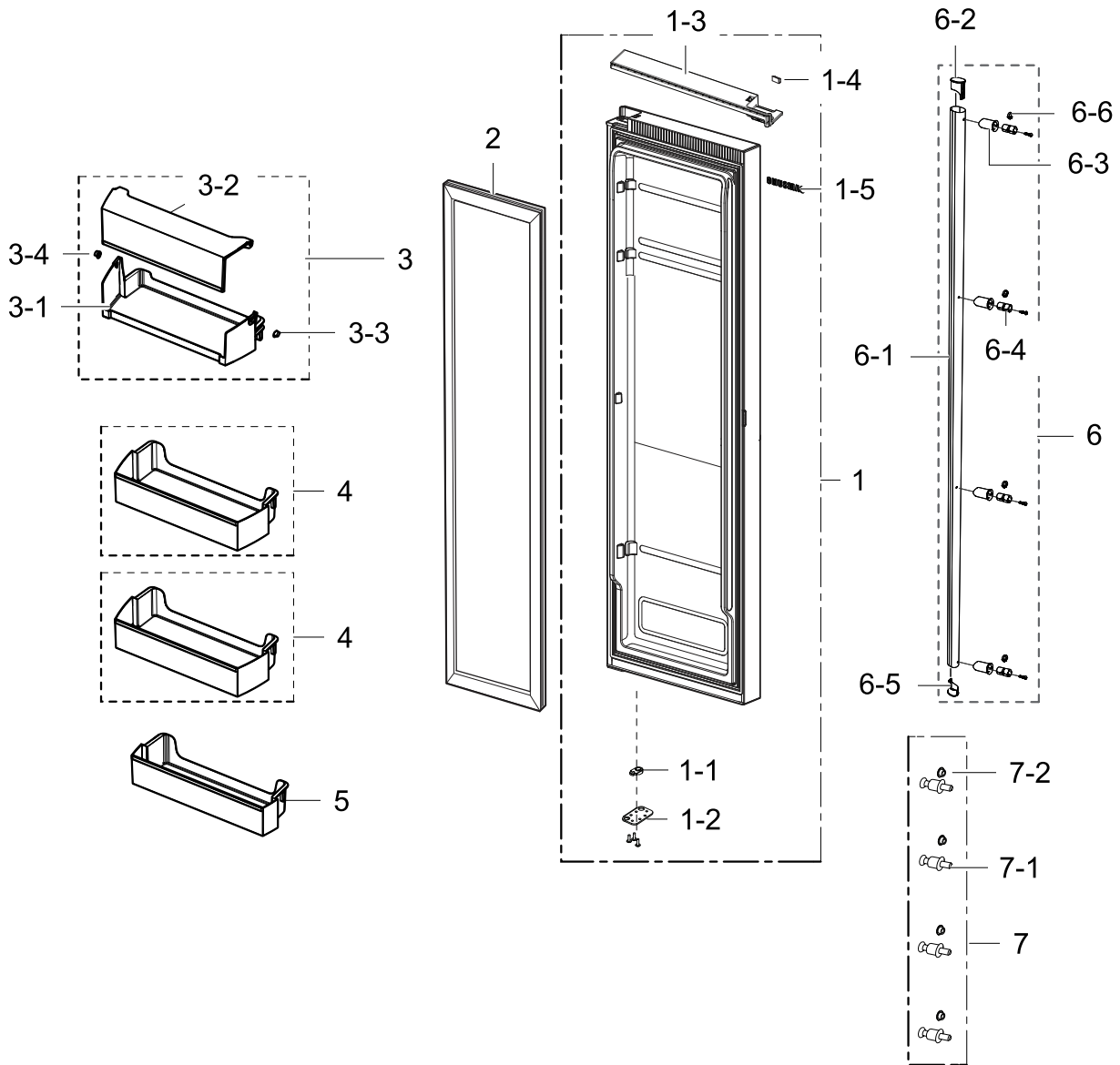


Parts List

| No. | Lvl. | Loc. | Material Code | Description & Specification | SNA | Qty. |
|-----|------|-------|---------------|--|-----|------|
| 1 | 2 | | DA91-03832R | ASSY DOOR-FOAM FRE; 752*(L,S OPTION),BASI | SA | 1 |
| 1-1 | 5 | M0221 | DA61-04195A | STOPPER-DOOR L; GUGGENHEIM,SHP1,T3.0 | SA | 1 |
| 1-2 | 5 | M0265 | DA66-00558B | CAM HINGE-RISER UPP L; POLARIS,PA66,BLACK | SA | 1 |
| 1-3 | 5 | A0534 | DA61-03769A | MAGNET-A; HERMES,FERRITE,1600Gauss | SNA | 2 |
| 2 | 2 | G0573 | DA97-12398F | ASSY-GASKET DOOR; FRE, HM10,GRAY,L1587,W3 | SA | 1 |
| 3 | 2 | | DA63-07069A | GUARD-FRE TOP; HM12,GPPS,TP BLUE,HB,165N, | SA | 1 |
| 4 | 2 | M0365 | DA63-07068A | GUARD-FRE LOW; HM12,GPPS,TP BLUE,HB,165N, | SA | 4 |
| 5 | 2 | A0626 | DA97-12828C | ASSY COVER CONTROL; HM12,240.8,84.8,Snow | SA | 1 |
| 5-1 | 3 | | DA63-05074A | COVER-PBA PANEL; HERMES09,ABS,NTR,BASIC | SNA | 1 |
| 5-2 | 3 | G0069 | DA92-00403A | ASSY PCB KIT LED; LED DISPLAY,HERMES12,BA | SNA | 1 |
| 5-3 | 3 | | DA97-12827C | ASSY COVER CONTROL-SUB; HM12,ACRYL+ABS,24 | SNA | 1 |
| 6 | 2 | | DA97-05073U | ASSY-HANDLE BAR REF; HERMES-PJT,SW,-,- | SA | 2 |
| 6-1 | 3 | A0556 | DA64-02442A | HANDLE-BAR; HERMES,A1,1633,SNOW-WHITE | SNA | 2 |
| 6-2 | 3 | M0062 | DA67-01913A | CAP-HANDLE; HERMES,ABS,-,W20.8,L37.3,NEO | SNA | 2 |
| 6-3 | 3 | A0819 | DA67-01810A | CAP-SUPT HANDLE; HERMES,ABS,-,-,SC-9752 | SNA | 8 |
| 6-4 | 3 | | DA61-03726A | SUPPORT-HANDLE; HERMES,PA66,-,NTR | SNA | 8 |
| 6-5 | 3 | M0062 | DA67-01913B | CAP-HANDLE; HERMES,ABS,-,W20.8,L37.3,SILV | SNA | 2 |
| 6-6 | 3 | | DA61-03636A | STOPPER-HANDLE; CULLINAN,SK5,T0.5 | SNA | 8 |
| 7 | 2 | | DA97-05529C | ASSY-BRACKET HANDLE; HREMES-PJT,SWCH10A,- | SA | 8 |
| 7-1 | 3 | | DA61-03725B | BRACKET-HANDLE; HERMES,SWCH10A,-,L31,-, | SNA | 8 |
| 7-2 | 3 | | DA63-03840A | GROMMET-HANDLE; HERMES,SI,T1,NTR,DISP, 40 | SNA | 8 |

5. Fridge Door

Exploded View



Parts List

| No. | Lvl. | Loc. | Material Code | Description & Specification | SNA | Qty. |
|-----|------|-------|---------------|--|-----|------|
| 1 | 2 | | DA91-03843M | ASSY DOOR-FOAM REF; 756*/752*(V,L,U,S),SN | SA | 1 |
| 1-1 | 5 | G0554 | DA66-00557A | CAM HINGE-RISER UPP R; GUGGENHEIM,PA66,BL | SA | 1 |
| 1-2 | 5 | M0222 | DA61-04196A | STOPPER-DOOR R; GUGGENHEIM,SHP1,T3.0 | SA | 1 |
| 1-3 | 4 | | DA97-12789F | ASSY CAP DOOR REF-UPP; HM10-SEPM,ABS,T2.5 | SNA | 1 |
| 1-4 | 5 | A0534 | DA61-03769A | MAGNET-A; HERMES,FERRITE,1600Gauss | SNA | 2 |
| 1-5 | 3 | M0196 | DA64-04021C | MASCOT; ALL,Ni,T0.06,L90 | SA | 1 |

Exploded Views and Parts List

| No. | Lvl. | Loc. | Material Code | Description & Specification | SNA | Qty. |
|-----|------|-------|---------------|--|-----|------|
| 2 | 2 | G0574 | DA97-12398G | ASSY-GASKET DOOR; REF,HM10,GRAY,L1587,W46 | SA | 1 |
| 3 | 2 | M0094 | DA97-12780B | ASSY GUARD-DAIRY; HM12,GPPS,NTR | SA | 1 |
| 3-1 | 3 | A0155 | DA63-07063A | GUARD-DAIRY; HM12,GPPS,TP BLUE,HB,147F,HI | SA | 1 |
| 3-2 | 3 | A0660 | DA63-07070B | COVER GUARD-DAIRY; HM12,GPPS,HB,165N,TP B | SA | 1 |
| 3-3 | 3 | | DA67-02920A | CAP-HINGE DAIRY R; HERMES,POM,NTR | SA | 1 |
| 3-4 | 3 | | DA67-02921A | CAP-HINGE DAIRY L; HERMES,POM,NTR | SA | 1 |
| 4 | 2 | | DA63-07067A | GUARD-REF TOP; HM12,GPPS,TP BLUE,HB,165N, | SA | 2 |
| 5 | 2 | M0369 | DA63-07062A | GUARD-REF LOW; HM12,GPPS,TP BLUE,HB,165N, | SA | 1 |
| 6 | 2 | | DA97-05073U | ASSY-HANDLE BAR REF; HERMES-PJT,SW,-,- | SA | 2 |
| 6-1 | 3 | A0556 | DA64-02442A | HANDLE-BAR; HERMES,AI,1633,SNOW-WHITE | SNA | 2 |
| 6-2 | 3 | M0062 | DA67-01913A | CAP-HANDLE; HERMES,ABS,-,W20.8,L37.3,NEO | SNA | 2 |
| 6-3 | 3 | A0819 | DA67-01810A | CAP-SUPT HANDLE; HERMES,ABS,-,-,SC-9752 | SNA | 8 |
| 6-4 | 3 | | DA61-03726A | SUPPORT-HANDLE; HERMES,PA66,-,NTR | SNA | 8 |
| 6-5 | 3 | M0062 | DA67-01913B | CAP-HANDLE; HERMES,ABS,-,W20.8,L37.3,SILV | SNA | 2 |
| 6-6 | 3 | | DA61-03636A | STOPPER-HANDLE; CULLINAN,SK5,T0.5 | SNA | 8 |
| 7 | 2 | | DA97-05529C | ASSY-BRACKET HANDLE; HREMES-PJT,SWCH10A,- | SA | 8 |
| 7-1 | 3 | | DA61-03725B | BRACKET-HANDLE; HERMES,SWCH10A,-,L31,-, | SNA | 8 |
| 7-2 | 3 | | DA63-03840A | GROMMET-HANDLE; HERMES,SI,T1,NTR,DISP, 40 | SNA | 8 |