

---

# [WD5000T] WD90T534DBW/S3 EXPLODED VIEWS AND PARTS LIST

---

## [MATERIAL CODE STANDARDS]

Material codes and names and their respective naming rules are managed in accordance with the prescribed standards. Please refer to these standards when requesting a material.

### 1. Material Code Type

● : Number

■ : Letter (Alphabet)

<b>Type 1</b>	● ● ● ● - ● ● ● ● ● ● ex) 0204-000418 FREON	<b>Enterprise-wide parts</b> Type 1 materials can be used for all Samsung Electronics products. (Most electrical parts belong to this type.)
<b>Type 2</b>	■ ■ ● ● - ● ● ● ● ● ■ ex) DC96-01390A ASSY-CONTROL	<b>Division-wide parts (DC**-Washing machine)</b> Type 2 materials can be used for specific products. (Most instruments and tools belong to this type.)

### 2. Ass'y Materials

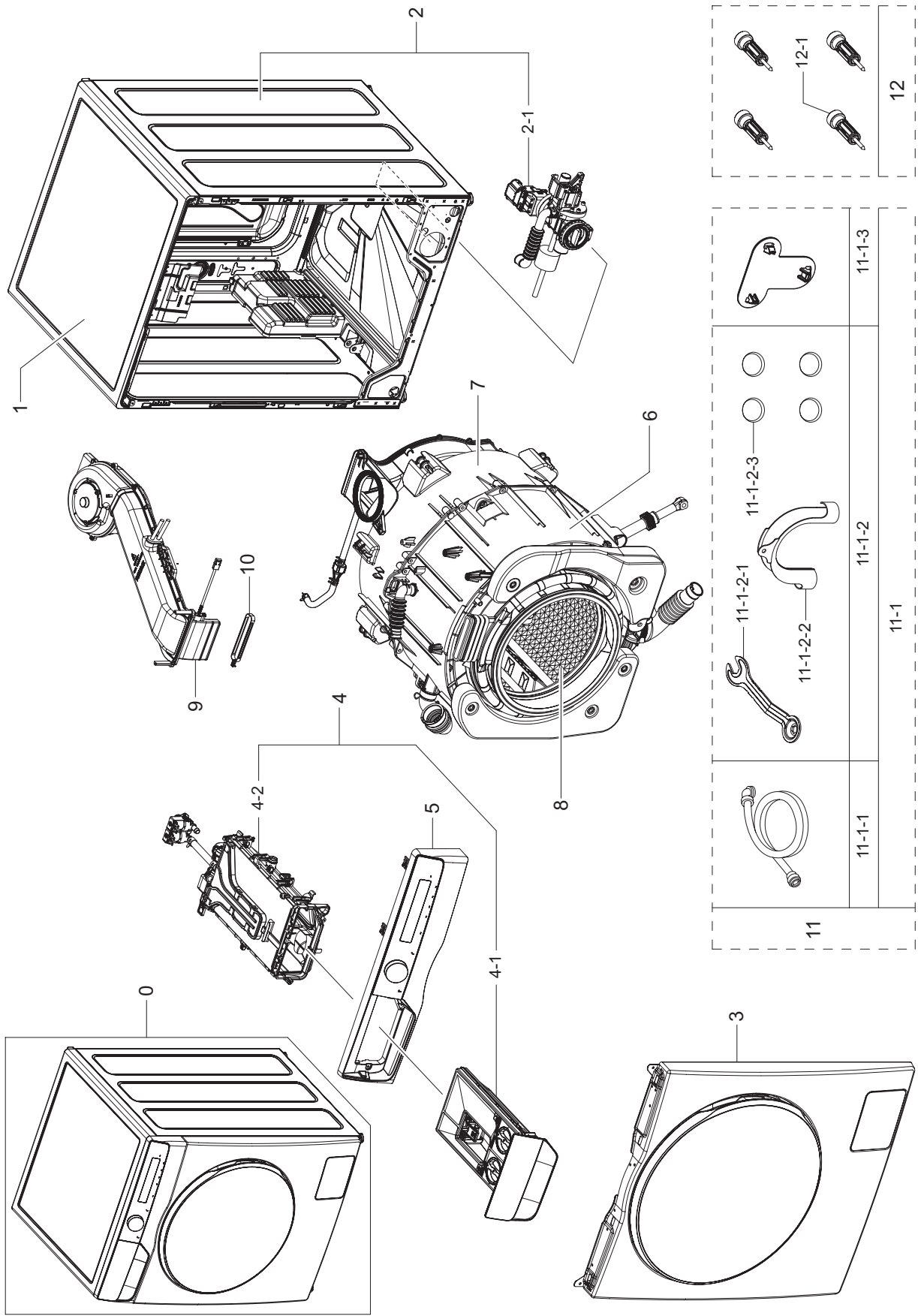
All ass'y material codes start with DC9\*.

An ass'y material is created by combining more than two materials. If a requested material cannot be provided, you can request an ass'y material that contains that material.

### 3. Listed parts and jig can be purchased at below website.

- <http://samsungparts.eu/> (Pan Euro Disty Site)

# 1. MAIN (WD90T534DBW/S3)

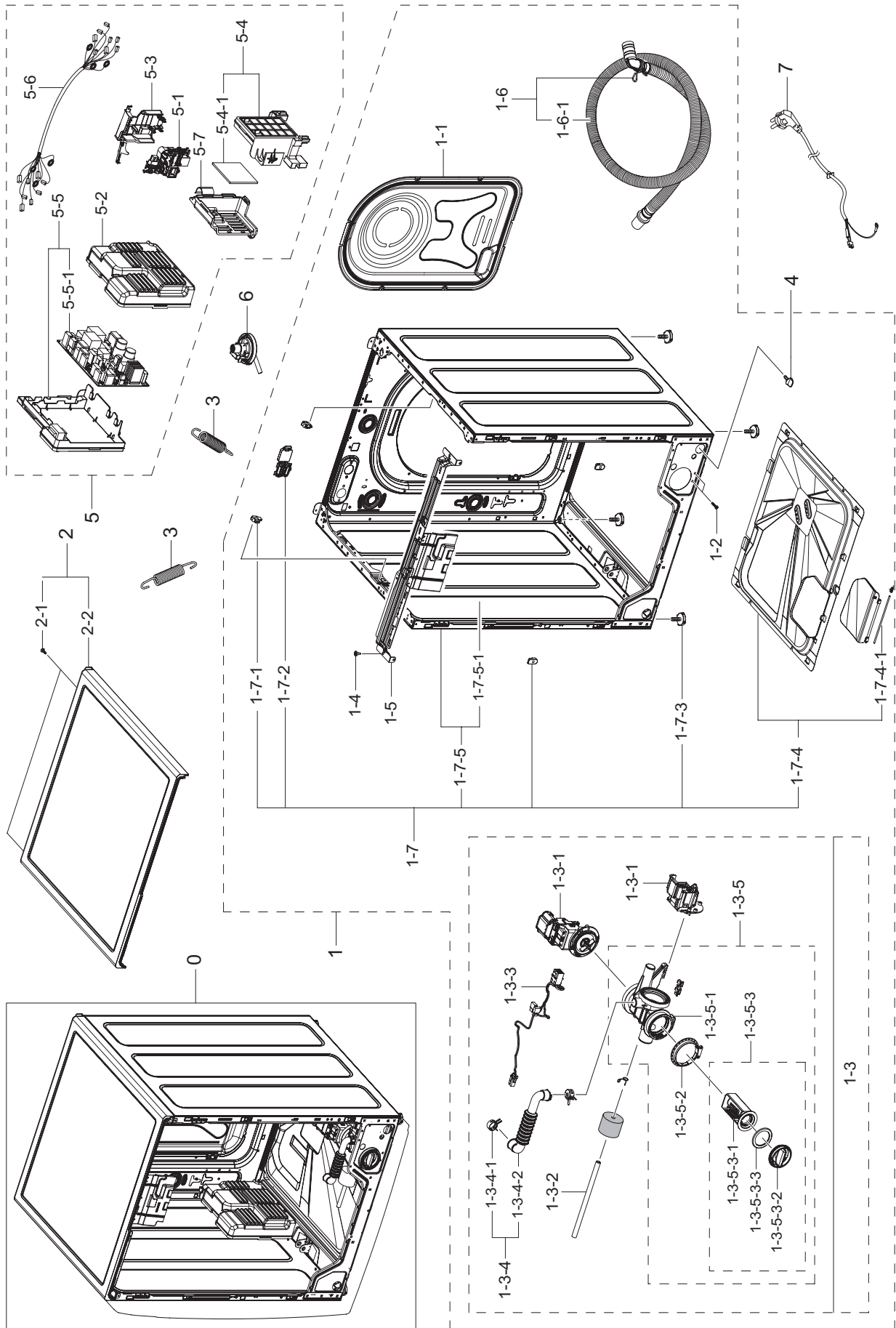


## MODEL CODE (WD90T534DBW/S3)

Service Bom (SA: SERVICE AVAILABLE, SNA: SERVICE NOT AVAILABLE)

Drawing No.	Code No.	Description	Specification	QTY	Un	SA/SNA
0	WD80T534DBN/S1	ASSY-WASHING MACHINE	WD5000T			
1	DC90-28603D	ASSY COVER TOP PARTS	WD90T654DBH/S1	1	PC	SNA
2	DC90-28603C	ASSY FRAME PARTS	WD90T654DBH/S1	1	PC	SNA
2-1	DC97-15696R	ASSY PUMP DRAIN	WW6000T,WD90T654DBH/S1,220~230V	1	PC	SNA
3	DC90-28637R	ASSY FRONT PARTS	WD90T634DBH/S3	1	PC	SNA
4	DC90-28637V	ASSY DRAWER PARTS	WD90T534DBW/S1	1	PC	SNA
4-1	DC97-22236A	ASSY DRAWER	U-PJT,WW7000T,24inch	1	PC	SA
4-2	DC97-22238J	ASSY HOUSING DRAWER	WW5000T,WD90T534DBW/	1	PC	SNA
5	DC90-28637T	ASSY PANEL CONTROL PARTS	WD90T534DBW/S1	1	PC	SNA
6	DC90-28637X	ASSY TUB FRONT PARTS	WD90T534DBW/S3	1	PC	SNA
7	DC90-28603G	ASSY TUB BACK PARTS	WD90T654DBH/S1	1	PC	SNA
8	DC90-28603H	ASSY DRUM PARTS	WD90T654DBH/S1	1	PC	SNA
9	DC93-00341C	ASSY DUCT SCROLL	WD7000J,9KG,220V	1	PC	SA
10	DC66-00782A	JOINT DIAPHRAGM	EGI-SECC,T1.0	1	PC	SA
11	DC90-28637Q	ASSY ACCESSORY PARTS	WD90T634DBH/S3	1	PC	SNA
11-1	DC98-04384G	ASSY ACCESSORY	WD90T634DBH/S3	1	PC	SNA
11-1-1	DC97-16921A	ASSY HOSE WATER	WA5700J	1	PC	SC
11-1-2	DC98-04384B	ASSY ACCESSORY	U-PJT HEBA 63,WD90T654DBH	1	PC	SNA
11-1-2-1	DC60-00104A	FASTENER-BOLT	ALL,CR-SPCC,2.0,L113.5	1	PC	SA
11-1-2-2	DC62-10278A	HOSE HANGER	PUMP MODEL,PP,ID27,T1.5,HS95,BLACK	1	PC	SA
11-1-2-3	DC67-00307A	CAP-FIXER	WF438AAC/ XAA,PP,T1.5,RECYCLE,BLACK,RM60	4	PC	SA
11-1-3	DC67-00208B	CAP-FIXER	WF8602NHS/XFA,PP,T1.5,COPO,BLA	1	PC	SA
12	DC97-14794C	ASSY FIXER TUB	SCOUT,WF0704L7W/XEF	4	PC	SA
12-1	DC60-60044B	WASHER PLAIN	WW65R20GLSW/TL,PO-SPHC,T2	1	PC	SA

## 2. ASSY FRAME & COVER PARTS (WD90T534DBW/S3)



## MODEL CODE (WD90T534DBW/S3)

Service Bom (SA: SERVICE AVAILABLE, SNA: SERVICE NOT AVAILABLE)

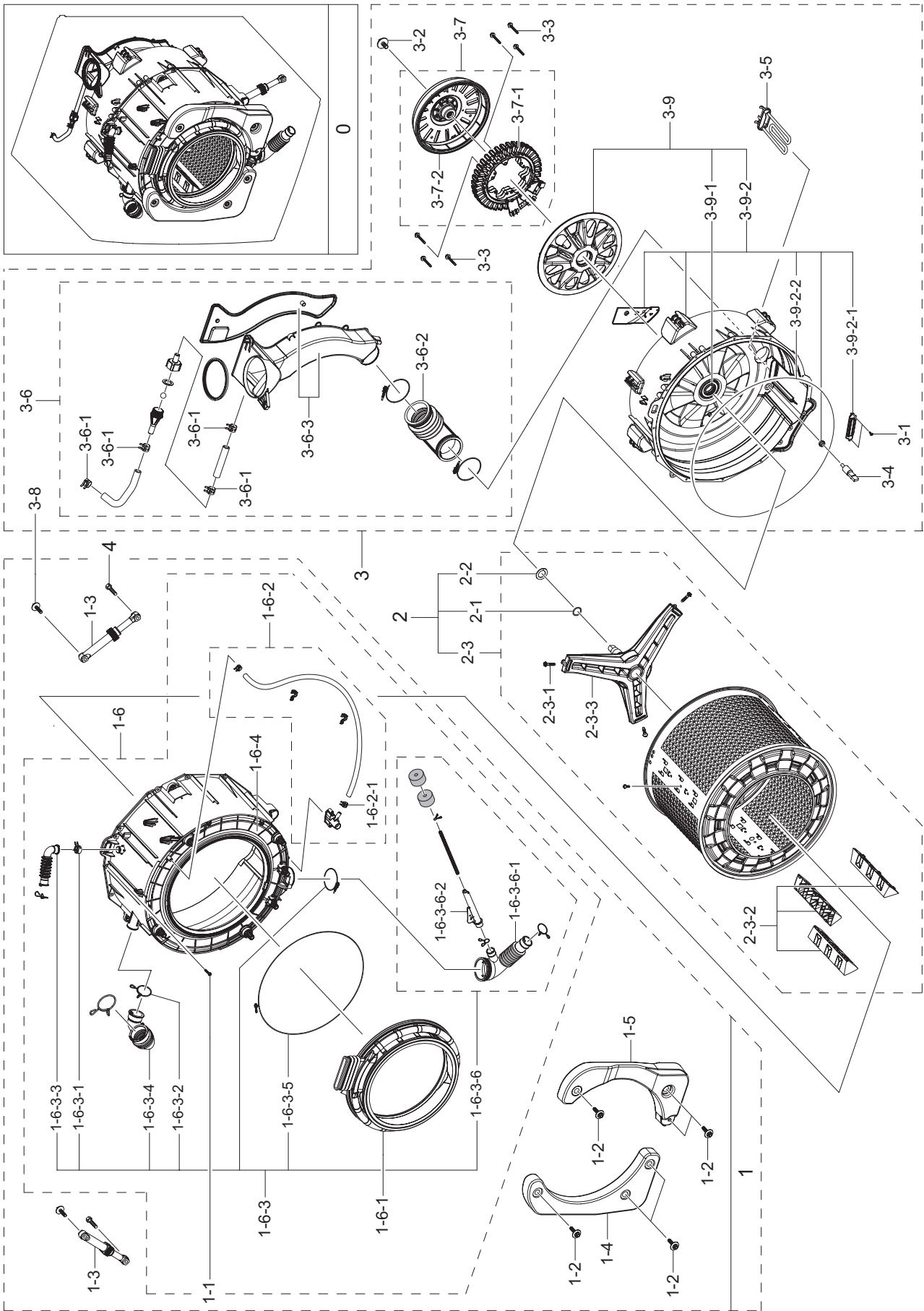
Drawing No.	Code No.	Description	Specification	QTY	Un	SA/SNA
0		ASSY FRAME & INNER PARTS	WD5000T	1		
1	DC90-28603C	ASSY FRAME PARTS	WD90T654DBH/S1	1	PC	SNA
1-1	DC63-00862C	COVER BACK	WF8600NMW,GI-SGCC,T0.35,W352,L558.7,NATURAL	1	PC	SA
1-2	DC97-14006C	ASSY SCREW	GRIFFIN-PJT,WF9904RWE,SWRCH18A,M4*L16	2	PC	SNA
1-3	DC97-15696R	ASSY PUMP DRAIN	WW6000T,WD90T654DBH/S1,220~230V	1	PC	SNA
1-3-1	DC31-00181A	MOTOR AC PUMP	"Drum&Auto,B15-6A/S3019/S3032/ PX2025-1,2Pole,220-240V,50Hz,0.33A,35W,5to+60C,3000rpm,130~145C,0.64C FM"	2	PC	SA
1-3-2	DC67-00244C	HOSE DRAIN	WF0804Y8E,EPDM,ID6,OD11,T2.5,	1	PC	SA
1-3-3	DC96-01567C	ASSY WIRE HARNESS	"AEGIS 3- PJT,WF0702WKN/XSC,220V,50Hz,7kg,1200RPM,PUMP WIRE"	1	PC	SA
1-3-4	DC97-19905A	ASSY HOSE PUMP	DRUM	1	PC	SA
1-3-4-1	DC61-00158A	CLAMPER HOSE	SW65ASP,SK5,ID23,T0.8,-,-,-,-	2	PC	SA
1-3-4-2	DC67-00461A	HOSE AIR TUB	SCOUT- PJT,EPDM,T1.5,BLACK	1	PC	SA
1-3-5	DC97-19914A	ASSY CASE FILTER	BUBBLE	1	PC	SA
1-3-5-1	DC61-02271B	CASE PUMP	"WF0804Y8E/XEF,PP,T2.5,W153.6,L13 3.2,WHITE,2WAY"	1	PC	SA
1-3-5-2	DC69-01128A	PACKING-PUMP	WF8804DP,IIR,BUTYL,T2.5,HEBA-PJT,BLK	1	PC	SA
1-3-5-3	DC97-15695C	ASSY FILTER	Heba,WF9904CWN1	1	PC	SA
1-3-5-3-1	DC63-00998A	FILTER PUMP	SCOUT-PJT,PP,W52.8,L93.1,NEAT WHITE,BUBBLE	1	PC	SA
1-3-5-3-2	DC64-02783A	HANDLE FILTER	WF350ANW/XAA,PP,T2.3,W63.8,NATURAL,BIG_HANDLE-FILTER	1	PC	SA
1-3-5-3-3	DC73-00022A	SEAL PACKING	SEW-HVR149ATA,EPDM,BLK,-	1	PC	SA
1-4	DC97-15858A	ASSY SCREW	trumph-PJT,WF-F1061/YLP,SWRCH18A	2	PC	SNA
1-5	DC97-22408A	ASSY FRAME PLATE-UP	WD5000T,T1.4,HEBA	1	PC	SA
1-6	DC97-20913A	ASSY HOSE DRAIN(O)	WW7800M 1600RPM,WW90M	1	PC	SA
1-6-1	DC62-10022G	HOSE PUMP	SWF-P12,PP,LIGHT GRAY	1	PC	SNA
1-7	DC97-22333A	ASSY FRAME-MODULE	WW6000T,-WD90T654DBH/S	1	PC	SA
1-7-1	DC61-02065A	GUIDE SPRING	WF448AAG/XXA,POM,T4,W24,L36.8,WHITE	2	PC	SA
1-7-2	DC63-02181B	COVER CONNECTOR	PP,T2,HB,BLACK,RECYCLE PP,BLACK	1	PC	SA
1-7-3	DC97-00920W	ASSY LEG	WW6000T,WD90T654DBH/S1,48.5,M10,1.5,BUTYL	4	PC	SA
1-7-4	DC97-17247A	ASSY COVER BOTTOM	SEINE COMBO,WD906U4SAG	1	PC	SA
1-7-4-1	DC64-00564A	HANDLE PIN	WF602U2BKWQ/SC,STS304	2	PC	SA
1-7-5	DC97-17253K	ASSY FRAME	WW6000T,WD90T654DBH/S1,GA-SGC	1	PC	SNA

## MODEL CODE (WD90T534DBW/S3)

Service Bom (SA: SERVICE AVAILABLE, SNA: SERVICE NOT AVAILABLE)

Drawing No.	Code No.	Description	Specification	QTY	Un	SA/SNA
1-7-5-1	DC61-03419F	FRAME	WD90T654DBH/S1,GA-SGCC,T0.7	1	PC	SNA
2	DC90-28603D	ASSY COVER TOP PARTS	WD90T654DBH/S1	1	PC	SNA
2-1	6002-001438	SCREW-TAPPING	HWH,+,NO,1,M5,L12,ZPC(WHT),SWR CH18A,SEPERATOR	2	PC	SNA
2-2	DC97-18679N	ASSY COVER TOP	WD7000T(HEBA-63),DA WHTIE	1	PC	SA
3	DC61-02029B	SPRING ETC-HANGER	HEBA 7kg,HSWR,CD3.5,OD26.2,L159,RED	2	PC	SA
4	DC61-10673C	CAP DRAIN	WF1802XEY/XSC,PP,NATURAL	1	PC	SA
5	DC92-02705F	ASSY COVER PCB W/ HARNESS	WD90T534DBW/S1	1	PC	SNA
5-1	DC34-00028B	SWITCH DOOR LOCK	AC250V,16A,SOLENOID, DOOR SENSING, CAM	1	PC	SA
5-2	DC63-02598A	COVER PBA	WW6000T(F500E-SSEC),ABS,T2.5,5VA, NATURAL,VE-0858	1	PC	SA
5-3	DC63-02602A	COVER DOOR SWITCH	WW6000,PP,T2.5,5VA,NATURAL,FH4 4N	1	PC	SA
5-4	DC92-02665A	ASSY PCB KIT	FWM_INV,COMBO MODULE, 121x80mm, Free voltage,24Vdc,60W,motor direction UWV,Y,SMPS,Standard	1	PC	SA
5-4-1	DC92-02664A	ASSY PCB MAIN	FWM_INV,COMBO MODULE,121x80mm, Free voltage,24Vdc,60W,Motor direction UWV,Y,SMPS,Standard	1	PC	SNA
5-5	DC92-02700F	ASSY HOLDER PCB	WW5000T,DC94-10818A,Y,SM	1	PC	SA
5-5-1	DC94-10818A	ASSY PCB EEPROM	904D,WD5300T,Micom_D3+22	1	PC	SNA
5-6	DC93-00894J	ASSY WIRE HARNESS- MAIN	DRUM-M,WD90T534DB	1	PC	SA
5-7	DC63-02624A	COVER PBA	WW6000T(24" DRUM COMBO PLATFOR	1	PC	SA
6	DC96-01703G	SENSOR PRESSURE	Air,5V,L0,400mmH2O	1	PC	SA
7	DC39-00067B	POWER CORD-AT	H05VV-F 3x1.0mm2,GRY,EU3F,	1	PC	SA

### 3. ASSY TUB & DRUM PARTS (WD90T534DBW/S3)



## MODEL CODE (WD90T534DBW/S3)

Service Bom (SA: SERVICE AVAILABLE, SNA: SERVICE NOT AVAILABLE)

Drawing No.	Code No.	Description	Specification	QTY	Un	SA/ SNA
0		ASSY TUB & DRUM PARTS	WD5000T	1		
1	DC90-28637X	ASSY TUB FRONT PARTS	WD90T534DBW/S3	1	PC	SNA
1-1	6009-001367	BOLT-HEX	M6.5,L32,ZPC(WHT),SWRCH18A,HWH Head	16	PC	SNA
1-2	6011-003934	BOLT-HEX	M7.6,L48,ZPC(WHT),SCM 35,WASHER	3	PC	SA
1-2	6011-003934	BOLT-HEX	M7.6,L48,ZPC(WHT),SCM 435,WASHER	3	PC	SA
1-3	DC66-00343K	DAMPER SHOCK	GE24"-PJT,PP,60N,W24,BLACK,1-BUSH	2	PC	SA
1-4	DC97-16008B	ASSY WEIGHT BALANCER-LEFT	WW6500K,WW85K5	1	PC	SA
1-5	DC97-18524B	ASSY WEIGHT BALANCER-RIGHT	WW6500K,WW85K	1	PC	SA
1-6	DC97-18841K	ASSY SEMI TUB FRONT	WD5500K,WD90K5410OW/	1	PC	SA
1-6-1	DC64-03235B	DOOR DIAPHRAGM	WD5000J,EPDM,T1.5,LIGHT GRAY,without nozzle	1	PC	SA
1-6-2	DC97-15993A	ASSY HOSE CIRCULATION	"SCOUT,WFO804Y8E,EPDM,L703,OD 14.5,BLACK"	1	PC	SA
1-6-2-1	DC65-00008B	CLAMPER HOSE	SSEC-GE,SK5,Dacromet,T1.0	2	PC	SA
1-6-3	DC97-16478J	ASSY TUB FRONT	SEINE COMBO,WD856UHSASD	1	PC	SNA
1-6-3-1	DC61-00158A	CLAMPER HOSE	SW65ASP,SK5,ID23,T0.8,-,-,-,-	1	PC	SA
1-6-3-2	DC65-60118R	CLIP RING	AEGIS-PJT,HSWR-SWRH,T3.0,ID37	1	PC	SA
1-6-3-3	DC67-00298A	HOSE AIR	HEBA PJT,EPDM,T2.5,BLACK	1	PC	SA
1-6-3-4	DC67-00674A	HOSE DRAWER TUB	"SEINE COMBO,EPDM,ID34.9,OD48.0 ,T2.0,BLACK,SEINE COMBO"	1	PC	SA
1-6-3-5	DC91-12077G	ASSY CLAMP DIAPHRAGM	AEGIS,WF8500NHW/YLP	1	PC	SA
1-6-3-6	DC97-14637G	ASSY HOSE PRESSURE	SCOUT COMBO,WD0804W8N1	1	PC	SA
1-6-3-6-1	DC67-00293A	HOSE FILTER TUB	HEBA-PJT,EPDM,T2.5,BLACK	1	PC	SA
1-6-3-6-2	DC67-00598A	HOSE JOINT AIR	WD0804W8N1/YAH,PP,ID36.2,OD50, T2.5,L131,DARK HOLDER GRAY,PP1205	1	PC	SA
1-6-4	DC61-01932D	TUB FRONT	HEBA PJT,FRPP,NATURAL,8KG/AIR-	1	PC	SA
2	DC90-28603H	ASSY DRUM PARTS	WD90T654DBH/S1	1	PC	SNA
2-1	6044-001172	RING-OG	ID28,OD33,T2.5,BLK,NBR	1	PC	SNA
2-2	DC60-00069A	SPACER	WR-HA139WA,STS304	1	PC	SNA
2-3	DC97-22366A	ASSY DRUM	HEBA63-C-WD6000T,1400RPM,H	1	PC	SA
2-3-1	DC60-40137A	BOLT HEX	MARS-PJT,STS430,M8,P1.25, L30,HEX/ KNURING	3	PC	SA
2-3-2	DC66-00493A	DRUM LIFTER	HEBA PJT,PP,L247.5,TI42,GRAY,7/8KG	3	PC	SA

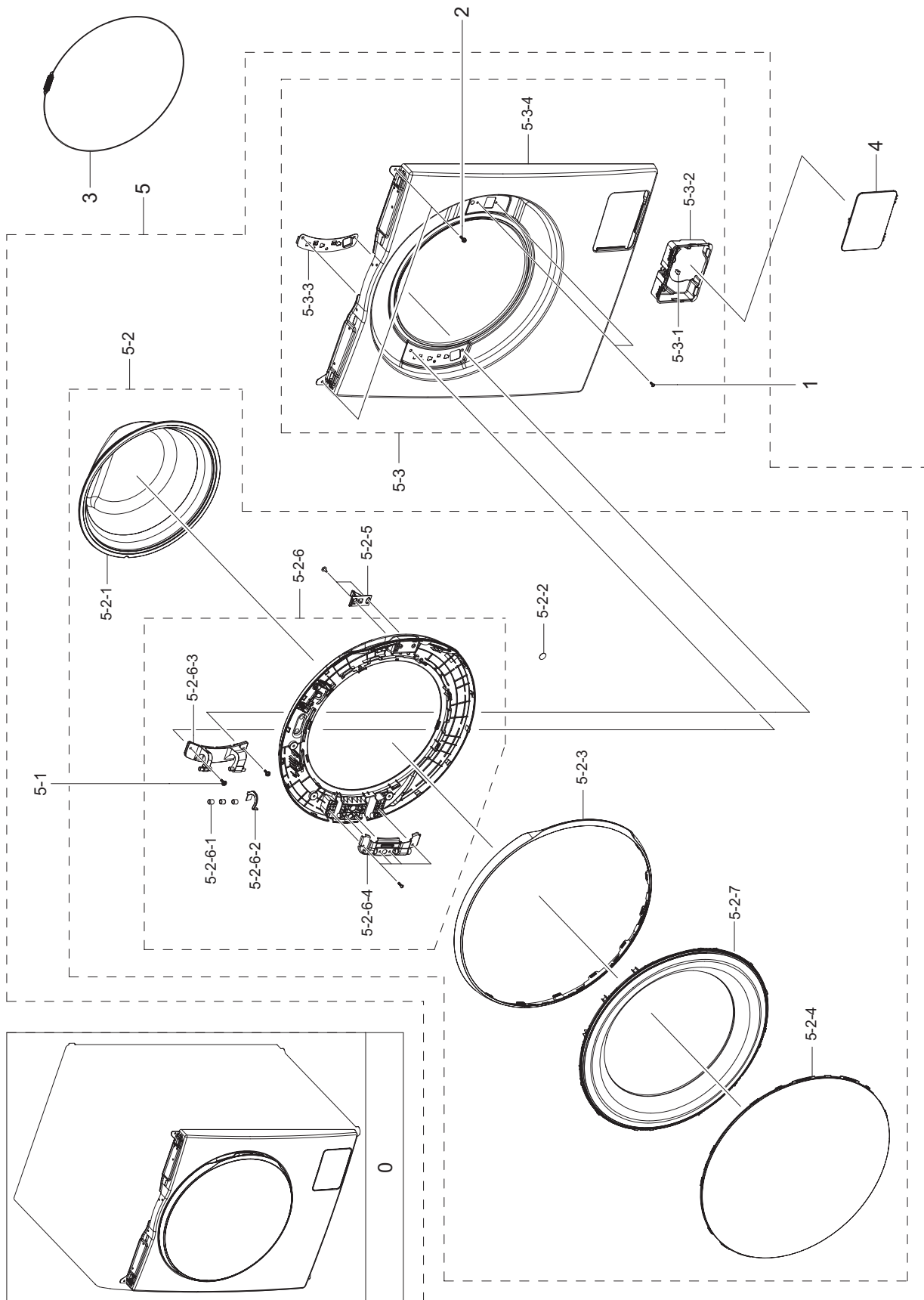


## MODEL CODE (WD90T534DBW/S3)

Service Bom (SA: SERVICE AVAILABLE, SNA: SERVICE NOT AVAILABLE)

Drawing No.	Code No.	Description	Specification	QTY	Un	SA/ SNA
2-3-3	DC97-14370H	ASSY FLANGE SHAFT	WD0804W8N1/YAH	1	PC	SC
3	DC90-28603G	ASSY TUB BACK PARTS	WD90T654DBH/S1	1	PC	SNA
3-1	6002-000445	SCREW-TAPPING	TH,+,NO,2,M4,L18,PASS,STS430	2	PC	SNA
3-2	6011-003728	BOLT-ETC	M12,L32,ZPC2,SWRCH10AK,WSP WASHER, SEAL LOCK	1	PC	SNA
3-3	6011-004528	BOLT-ETC	"M6,L45,ZPC(WHT),HH,SOCKET,SCM 435,P1.0/HEX/WSP"	6	PC	SA
3-4	DC32-00010C	THERMISTOR	WASHER,-10~100,5,5,3.243k ± 2%(60□)	1	PC	SA
3-5	DC47-00033B	HEATER WASH	AC230V,2000W,SUS316L,728mm,NO N,#250,MgO	1	PC	SA
3-6	DC93-00128M	ASSY DUCT CONDENSER	U-PJT COMBO,9KG	1	PC	SA
3-6-1	DC65-00008B	CLAMPER HOSE	SSEC-GE,SK5,Dacromet,T1.0	4	PC	SA
3-6-2	DC67-00443A	HOSE CONDENSER	"AEGIS-COMBO,EPDM,ID59,OD73,T2. 5,L155.5,BLACK"	1	PC	SA
3-6-3	DC93-00129B	ASSY S.DUCT CONDENSER	BAIKAL-COMBO,WD702	1	PC	SA
3-7	DC93-00751A	ASSY DD BLDC MOTOR	WD6500K,COM800,F,DC310V PWM,Free	1	PC	SNA
3-7-1	DC97-20738A	ASSY STATOR	CDD800	1	PC	SA
3-7-2	DC97-20739A	ASSY ROTOR	CDD800,GI-SGCD	1	PC	SA
3-8	DC97-14263A	ASSY BOLT	MOTOR/ BOLT(M8)+WASHER(OD27.5),,,,,,	2	PC	SA
3-9	DC97-16462C	ASSY SEMI TUB BACK	Heba PJT,WD0804W8N1/YAH	1	PC	SA
3-9-1	DC62-00008A	SEAL OIL	NBR,BLACK,-,NBU	1	PC	SA
3-9-2	DC97-16461C	ASSY TUB BACK	Heba PJT,WD0804W8N1/YAH	1	PC	SNA
3-9-2-1	DC61-02664B	BRACKET HEATER	HEBA,STS430,T0.5	1	PC	SA
3-9-2-2	DC69-01154A	PACKING-TUB	WF8804DP,EPDM,-,-,L1650	1	PC	SA
4	DC60-40144A	BOLT HEX	F500,SM10C,T10,L35,DAMPER	2	PC	SA

# 4. ASSY FRAME PARTS (WD90T534DBW/S3)

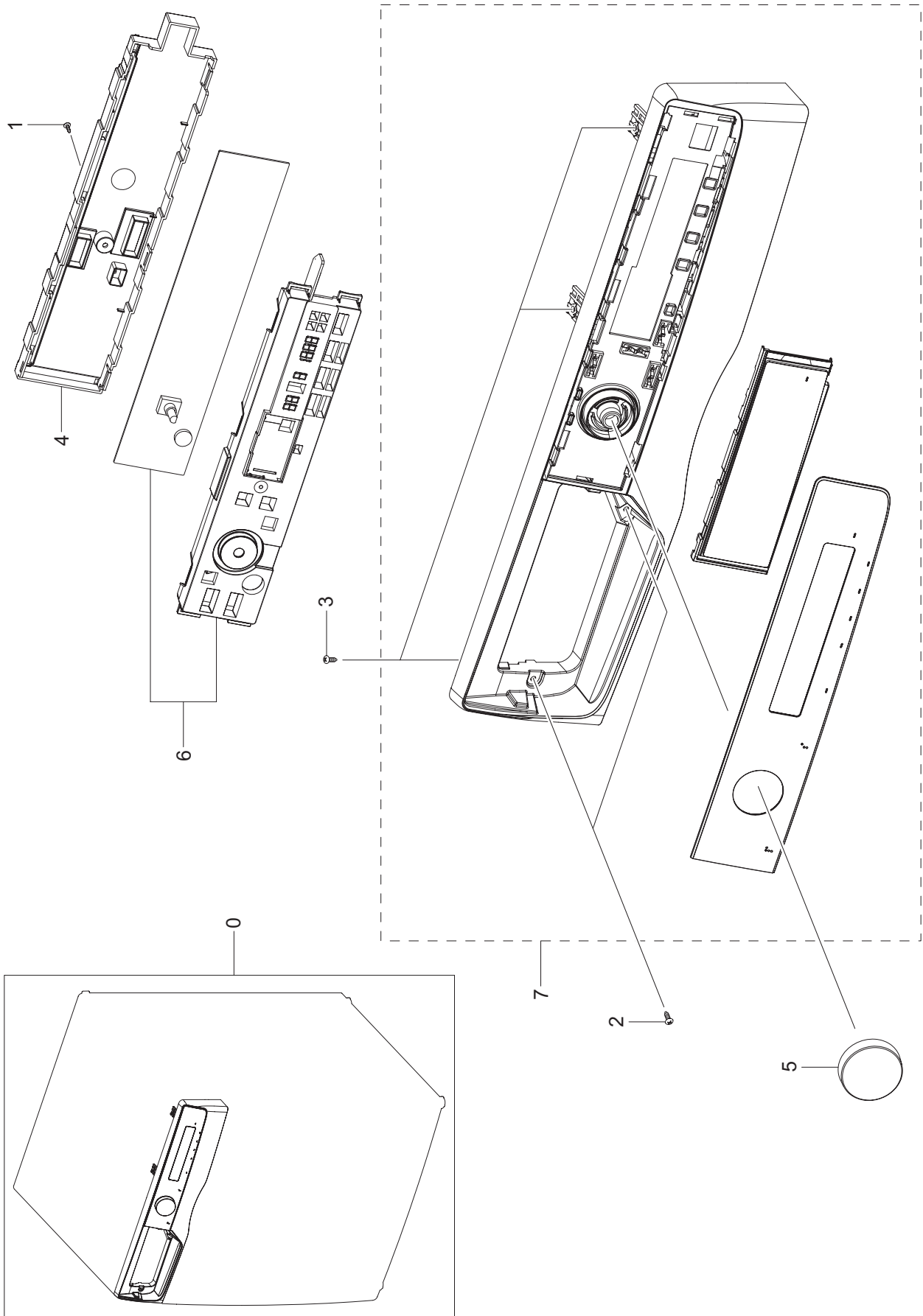


## MODEL CODE (WD90T534DBW/S3)

Service Bom (SA: SERVICE AVAILABLE, SNA: SERVICE NOT AVAILABLE)

Drawing No	Code No.	Description	Specification	QTY	Un	SA/SNA
0	DC90-28637R	ASSY FRONT PARTS	WD90T634DBH/S3	1	PC	SNA
1	6002-001554	SCREW-TAPPING	BH,+,No,1,M4,L12,STS430,HEAD SIZE OD8.0	2	PC	SNA
2	6006-001174	SCREW-TAPPING	TH,+,WT,2S,M4,L12,ZPC(WHT),SWRCH 18A	3	PC	SNA
3	DC91-12078E	ASSY WIRE DIAPHRAGM	AEGIS,WF8500NHW/YLP,-,-,-,-	1	PC	SA
4	DC63-00920M	COVER FILTER	ADD WASH,ABS,T2.5,DA WHITE,	1	PC	SA
5	DC97-22329F	ASSY FRAME FRONT	WD90T634DBH/S3,WHITE,NO	1	PC	SNA
5-1	6009-001522	SCREW-HEX	HWH,+,M5,L16,PASS,STS430,FP,SEA L- LOCK	2	PC	SA
5-2	DC97-22269A	ASSY DOOR	WW8000T,NON ADD WASHER,GRAND BLUE	1	PC	SA
5-2-1	DC64-01790A	DOOR GLASS	AEGIS,GLASS,T5,W353.0	1	PC	SA
5-2-2	DC64-03303A	INLAY-DOOR	WD9500J,PET,T0.3,VERSAILLES GRAY,10.8mm	1	PC	SA
5-2-3	DC64-03949A	DECORATION COVER DOOR	DV90T5740BV,ABS,T2.5,EBONY BLACK,EBONY BLACK,BK0018, Hair Line	1	PC	SA
5-2-4	DC64-03953A	DOOR SAFETY	"DV90T5740BV,ABS,T2.5,HB,TX-0510,Grand Blue,TP0107"	1	PC	SA
5-2-5	DC66-00375A	LEVER DOOR	10KG DRUM,ZNDC,T2.5,-,-,-,-,NI COATING	1	PC	SC
5-2-6	DC97-22277A	ASSY HOLDER GLASS	WW8000T,NON ADD WASHER,Versailles Gray	1	PC	SA
5-2-6-1	DC61-00891A	GUIDE HINGE	HAUZEN(DOM),POM,B,white,HINGE	3	PC	SA
5-2-6-2	DC61-02197A	GUIDE WIRE	WD9500JK,POM,T1,M90-44,NATURAL	1	PC	SA
5-2-6-3	DC61-04131A	HINGE DOOR	WW6/5500K,ALDC,T5	1	PC	SA
5-2-6-4	DC61-04134A	BRACKET HOLDER	WW6/5500K,GI-SGCC,T1.2	1	PC	SA
5-2-7	DC63-02608A	COVER GLASS	U-PJT,ABS,T2.5,BLACK CAVIAR,	1	PC	SA
5-3	DC97-22283C	ASSY FRAME FRONT	WW8000T,WW90T654DLH/S6,	1	PC	SA
5-3-1	DA66-01072A	LATCH	LATOUR,POM,NATURAL,DC LATCH	1	PC	SA
5-3-2	DC61-01917G	GUIDE FILTER	WW90T754DBX/S6,PP,T2.5,BLACK	1	PC	SNA
5-3-3	DC61-01919B	BRACKET HINGE	WW6500K,GI-SGCC,T1.4,N/A	1	PC	SA
5-3-4	DC61-05186A	FRAME FRONT	WW6000,GI-SGCD,DA WHITE,T0.7	1	PC	SNA

## 5. ASSY PANEL CONTROL PARTS (WD90T534DBW/S3)

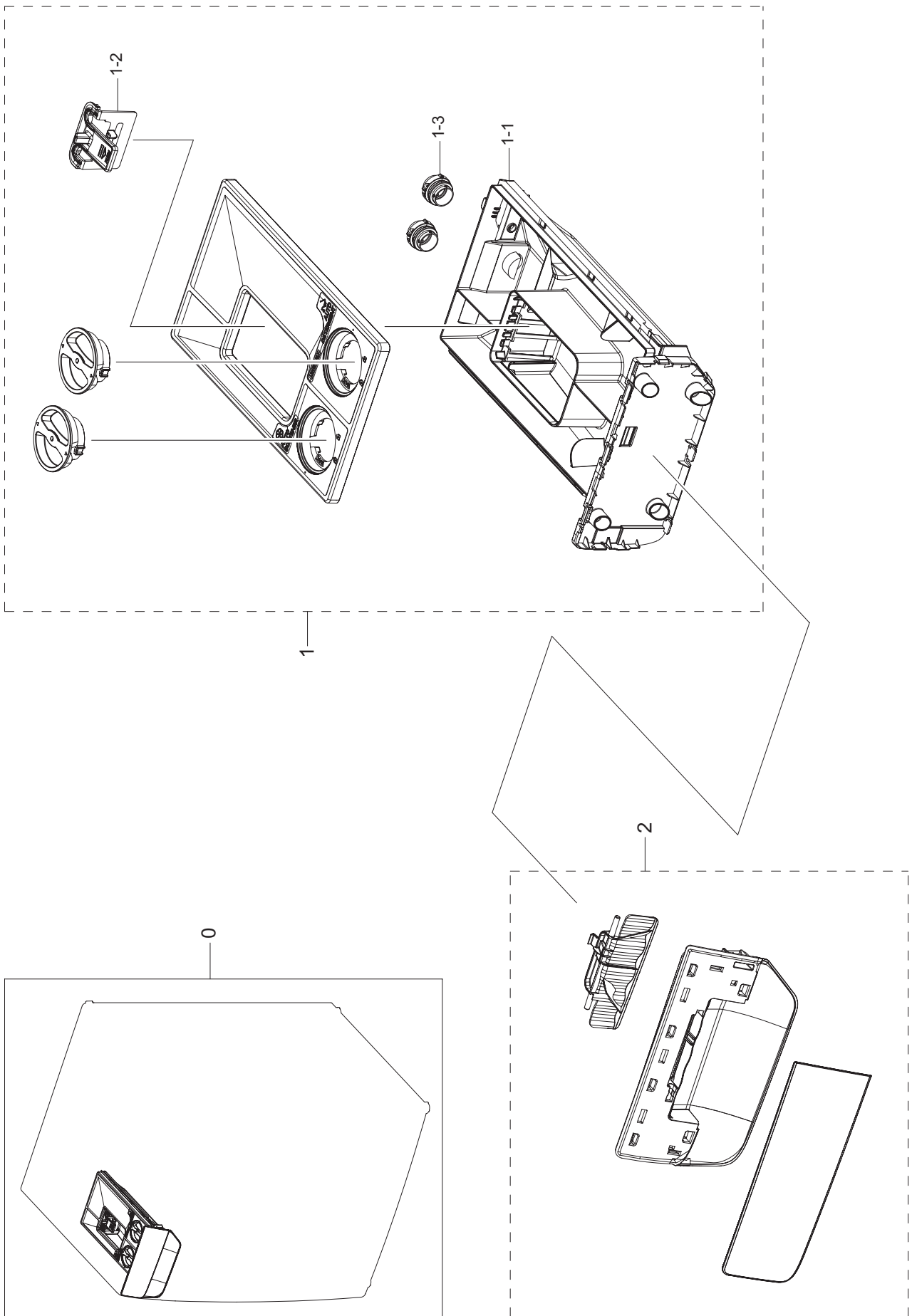


## MODEL CODE (WD90T534DBW/S3)

Service Bom (SA: SERVICE AVAILABLE, SNA: SERVICE NOT AVAILABLE)

Drawing No	Code No.	Description	Specification	QTY	Un	SA/SNA
0	DC90-28637T	ASSY PANEL CONTROL PARTS	WD90T534DBW/S1	1	PC	SNA
1	6002-000213	SCREW-TAPPING	TH,+,1,M4,L12,ZPC(WHT),SWRCH18A	1	PC	SNA
2	6002-000445	SCREW-TAPPING	TH,+,NO,2,M4,L18,PASS,STS430	2	PC	SNA
3	6006-001174	SCREW-TAPPING	TH,+,WT,2S,M4,L12,ZPC(WHT),SW RCH18A	3	PC	SNA
4	DC63-02571A	COVER PCB-SUB	DV90T5740BV,PP,T2,HB	1	PC	SA
5	DC64-03921A	KNOB ENCODER	A1 SIMPLE,ABS,HB,NATURAL, CHROME,MP-0160R,NC0001	1	PC	SA
6	DC92-02642N	ASSY MODULE	FWM_Touch Display,WW5500T,8key, WIFI(TP2X), S4,Standard	1	PC	SA
7	DC97-22137B	ASSY PANEL CONTROL-MODULE	WW5300T,WD80T5	1	PC	SA

## 6.ASSY DRAWER PARTS (WD90T534DBW/S3)



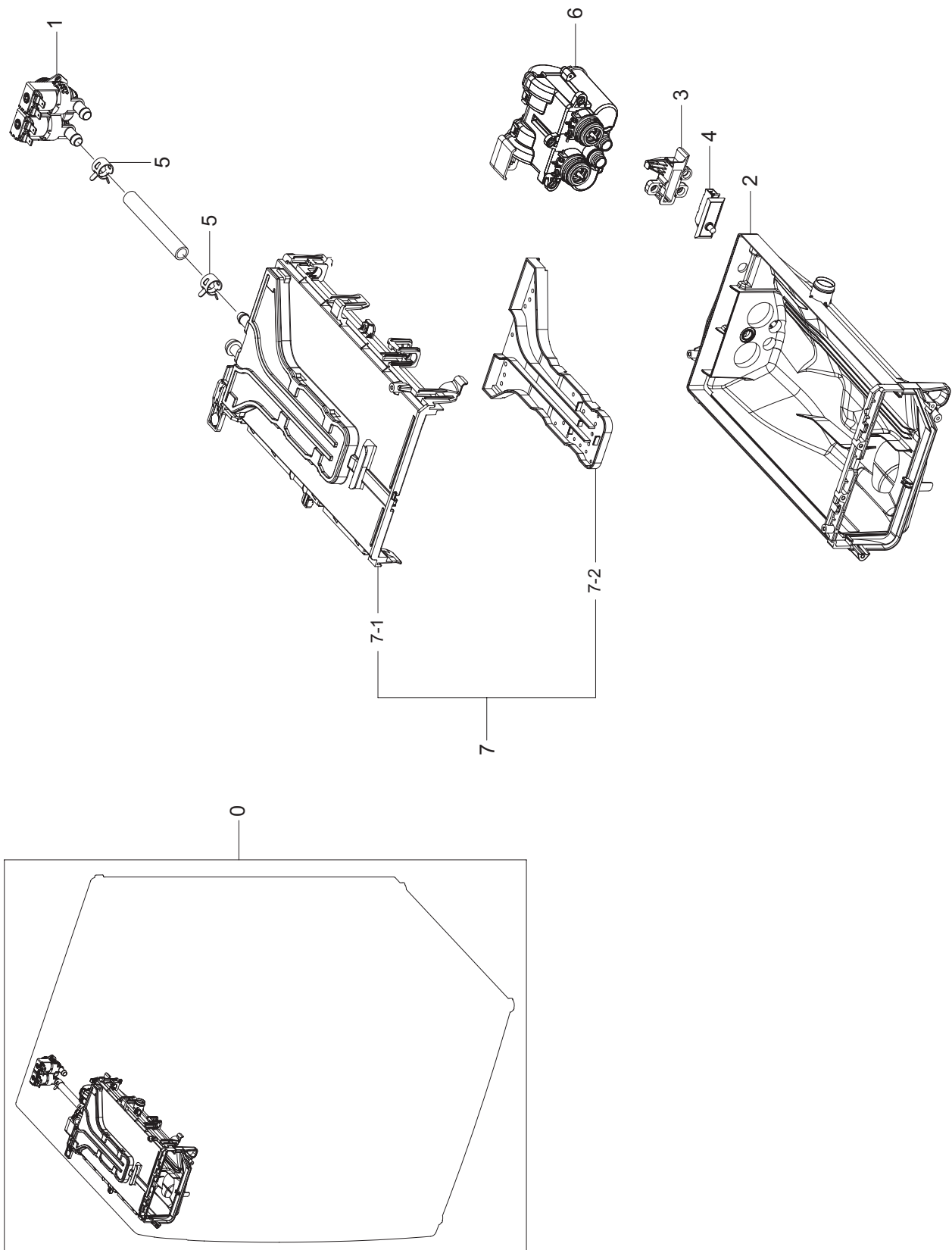
---

## MODEL CODE (WD90T534DBW/S3)

Service Bom (**SA**: SERVICE AVAILABLE, **SNA**: SERVICE NOT AVAILABLE)

Drawing No.	Code No.	Description	Specification	QTY	Un	SA/SNA
0	DC97-22235B	ASSY DRAWER-MODULE	WW7000T AOW,WHITE- WH	1	PC	SNA
1	DC97-22236A	ASSY DRAWER	U-PJT,WW7000T,24inch	1	PC	SA
1-1	DC61-05188A	BODY DRAWER	WW8000T,PP,DA WHITE,FC2305	1	PC	SA
1-2	DC67-00928A	CAP GUIDE WATER	"WW8800M,PP,MT43,Honesty Blue Light,BL0141"	1	PC	SA
1-3	DC97-22023B	ASSY CAP V.W	WF65000T	2	PC	SA
2	DC97-22237A	ASSY PANEL DRAWER	U-PJT,WW7000T,AOW (ASD	1	PC	SA

## 7. ASSY HOUSING DRAWER (WD90T534DBW/S3)





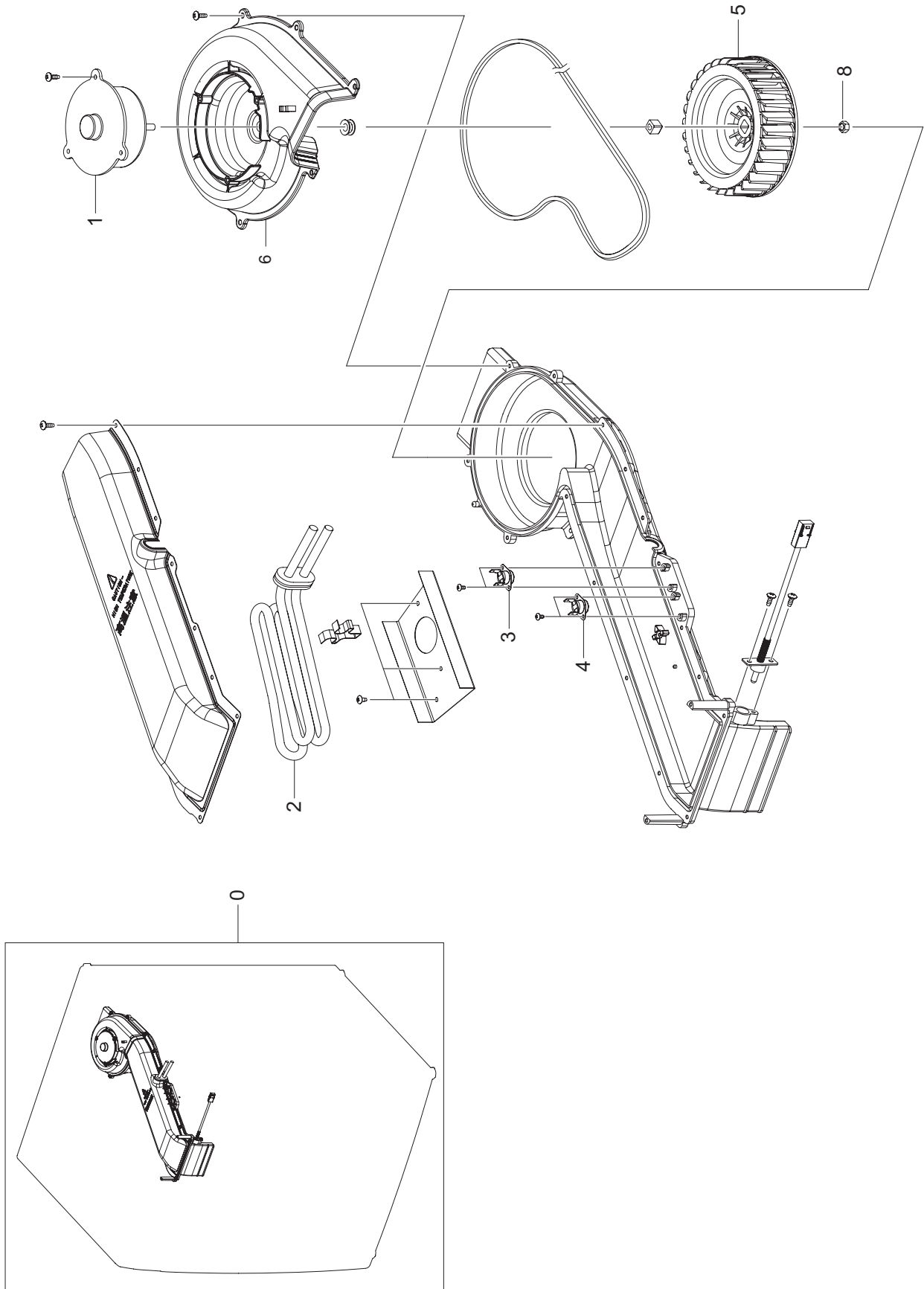
---

## MODEL CODE (WD90T534DBW/S3)

Service Bom (**SA**: SERVICE AVAILABLE, **SNA**: SERVICE NOT AVAILABLE)

Drawing No.	Code No.	Description	Specification	QTY	Un	SA/SNA
0	DC97-22238J	ASSY HOUSING DRAWER	WW5000T,WD90T534DBW/	1	PC	SNA
1	DC33-01010B	VALVE WATER	DC12V,BRACKET,mm,#250,1,2,0.35- 11L/ min	1	PC	SA
2	DC61-05190A	HOUSING DRAWER-LOW	WW8000T,PP,T2,NATURAL,FC2305	1	PC	SA
3	DC63-02160A	COVER DOOR SWITCH	WW10M86DQOO/ EU,PP,NATURAL,NC0001, FC2305	1	PC	SA
4	DC64-00828H	SWITCH DOOR	AC125-250V,0.75-1.5A,1BUTTON	1	PC	SA
5	DC65-00008B	CLAMPER HOSE	SSEC-GE,SK5,Dacromet,T1.0	2	PC	SA
6	DC97-19821A	ASSY PUMP DRAIN	ASD,WD9500M,12V,DC	1	PC	SA
7	DC97-22239A	ASSY S.HOUSING DRAWER	U-PJT,WW7000T,PP,24inch	1	PC	SA
7-1	DC61-05189A	HOUSING DRAWER-UP	WW8000T,PP,T2,NATURAL,FC2305	1	PC	SNA
7-2	DC61-05191A	HOUSING DRAWER-MIDDLE	WW8000T,PP,T1.8,NATURAL,FC2305	1	PC	SNA

## 8. ASSY DUCT SCROLL (WD90T534DBW/S3)

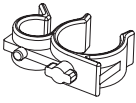

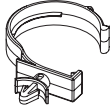
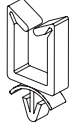

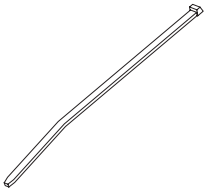


---

**MODEL CODE: WD90T534DBW/S3**Service Bom (**SA**: SERVICE AVAILABLE, **SNA**: SERVICE NOT AVAILABLE)

NO.	Code No.	Description	Specification	QTY	Un	SA/SNA
0	DC93-00341C	ASSY DUCT SCROLL	WD7000J,9KG,220V	1	PC	SA
1	DC31-00032D	MOTOR BLDC FAN	DL-7806SSWC,2700rpm,24V,1.5A,15W	1	PC	SA
2	DC47-00008F	HEATER DRY	AC230V,1600W,INCOLOY800,897m m,150mm,200m,MG633976,MG633976,MgO	1	PC	SA
3	DC47-00016B	THERMOSTAT	AC125/250V,25A,125,-35,S.O.D,250,PPS,24.5mm	1	PC	SA
4	DC47-00016C	THERMOSTAT	AC125/250V,16A,125,-35,MANUAL,250,PPS,24.5mm	1	PC	SA
5	DC67-00904A	FAN DRY	PA66,T2.0,AEGIS-COMBO,PA66,PI133,28 TURNS,T2.0	1	PC	SA
6	DC61-02527A	HOUSING FAN-UP REAR	AEGIS-COMBO,PA,T3.0,W185,L195	1	PC	SA
7-1	DC61-02527A	HOUSING FAN-UP REAR	AEGIS-COMBO,PA,T3.0,W185,L195	1	PC	SA
8	6021-001868	NUT-HEXAGON	LEFT HAND SCREW,M6,STS304	1	PC	SA

## 9. SMALL PARTS (WD90T534DBW/S3)

				
1	2	3	4	5
				
6				

### MODEL CODE: WD90T534DBW/S3

Service Bom (SA: SERVICE AVAILABLE, SNA: SERVICE NOT AVAILABLE)

Drawing No.	Code No.	Description	Specification	InstPoint	QTY	Un	SA/SNA
1	DC61-00133A	CLAMPER HOSE-FIX	P1291,PP,HOSE+PLUG,BJ-750	FRM+H- DRAIN+P- CODE	3	PC	SA
2	DC61-00118A	CLAMP-CABLE	P1291,PA66,ID27,OD30, NATURAL,-,-,NC0001	H-DRAIN(O)+ FRAME	1	PC	SA
3	DC61-02879A	HOLDER WIRE	WF8804CPA,PA,L58.6,NATURAL, 2110R	FRAME+HOSE(O)	1	PC	SNA
4	DC61-00553B	CABLE CLAMP	DAWS-3NE,PA66,NTR	ASSY PAINT FRAME	1	PC	SNA
5	DC61-00553C	CABLE CLAMP	-,PA66,NTR	ASSY PANEL CONTROL	1	PC	SNA
6	DC65-10001A	CABLE TIE	CT-140,T1.1,W3.5,L145,NTR, NYLON66	HEATER-DRY HARNESS	1	PC	SNA
6	DC65-10001A	CABLE TIE	CT-140,T1.1,W3.5,L145,NTR, NYLON66	C/HEATER+W/ HARNESS	1	PC	SNA

## 8. PARTS LIST (SCREW TYPE)

### MODEL CODE (WD90T534DBW/S3)

Service Bom (SA: SERVICE AVAILABLE, SNA: SERVICE NOT AVAILABLE)

Code No.	Description	Specification	QTY	Un	SA/SNA
6001-000115	SCREW-MACHINE	BH,+,M3,L10,ZPC(WHT),SWRCH18A,2S	4	PC	SNA
6002-000213	SCREW-TAPPING	TH,+,1,M4,L12,ZPC(WHT),SWRCH18A	7	PC	SNA
6002-000444	SCREW-TAPPING	TH,+,2,M4,L14,PASS,STS430	11	PC	SNA
6002-000445	SCREW-TAPPING	TH,+,NO,2,M4,L18,PASS,STS430	17	PC	SNA
6002-000520	SCREW-TAPPING	TH,+,2,M4,L12,ZPC(WHT),SWRCH18A	1	PC	SNA
6002-001006	SCREW-TAPPING	TH,+,-,2S,M4,L12,PASS,STS430,-	3	PC	SNA
6002-001279	SCREW-TAPPING	PWH,+,1,M4,L12,PASS,STS430	2	PC	SNA
6002-001320	SCREW-TAPPING	TH,+,NO,2S,M4,L8,PASS,STS304	4	PC	SNA
6002-001327	SCREW-TAPPING	PWH,+,1,M4,L12,ZPC(WHT),SWRCH18A	4	PC	SNA
6002-001436	SCREW-TAPPING	PH,+,2,M4,L18,ZPC(WHT),SWRCH18A	6	PC	SNA
6002-001438	SCREW-TAPPING	HWH,+,NO,1,M5,L12,ZPC(WHT),SWRCH18A,SE PERATOR	2	PC	SNA
6002-001554	SCREW-TAPPING	BH,+,No,1,M4,L12,STS430,HEAD SIZE OD8.0	4	PC	SNA
6003-000226	SCREW-TAPTYPE	TH,+,S,M4,L8,ZPC(WHT),SWRCH18A,-	2	PC	SNA
6003-001768	SCREW-TAPTYPE	TH,+,WT,S,M4,L10,ZPC(WHT),SWRCH18A	3	PC	SNA
6006-001174	SCREW-TAPPING	TH,+,WT,2S,M4,L12,ZPC(WHT),SWRCH18A	40	PC	SNA
6009-001343	SCREW-SPECIAL	PH,TORX,M4,L12,ZPC(WHT),SWRCH18A,1,2B ODY	2	PC	SNA
6009-001522	SCREW-HEX	HWH,+,M5,L16,PASS,STS430,FP,SEAL-LOCK	2	PC	SA
DC97-14006C	ASSY SCREW	GRIFFIN-PJT,WF9904RWE,SWRCH18A,M4*L16	2	PC	SNA
DC97-15858A	ASSY SCREW	trumph-PJT,WF-F1061/YLP,SWRCH18A	2	PC	SNA
DE60-10080A	SCREW-TAPPING	PWH,+,2S,M5,L9,ZPC(WHT),SWRCH18A	2	PC	SNA