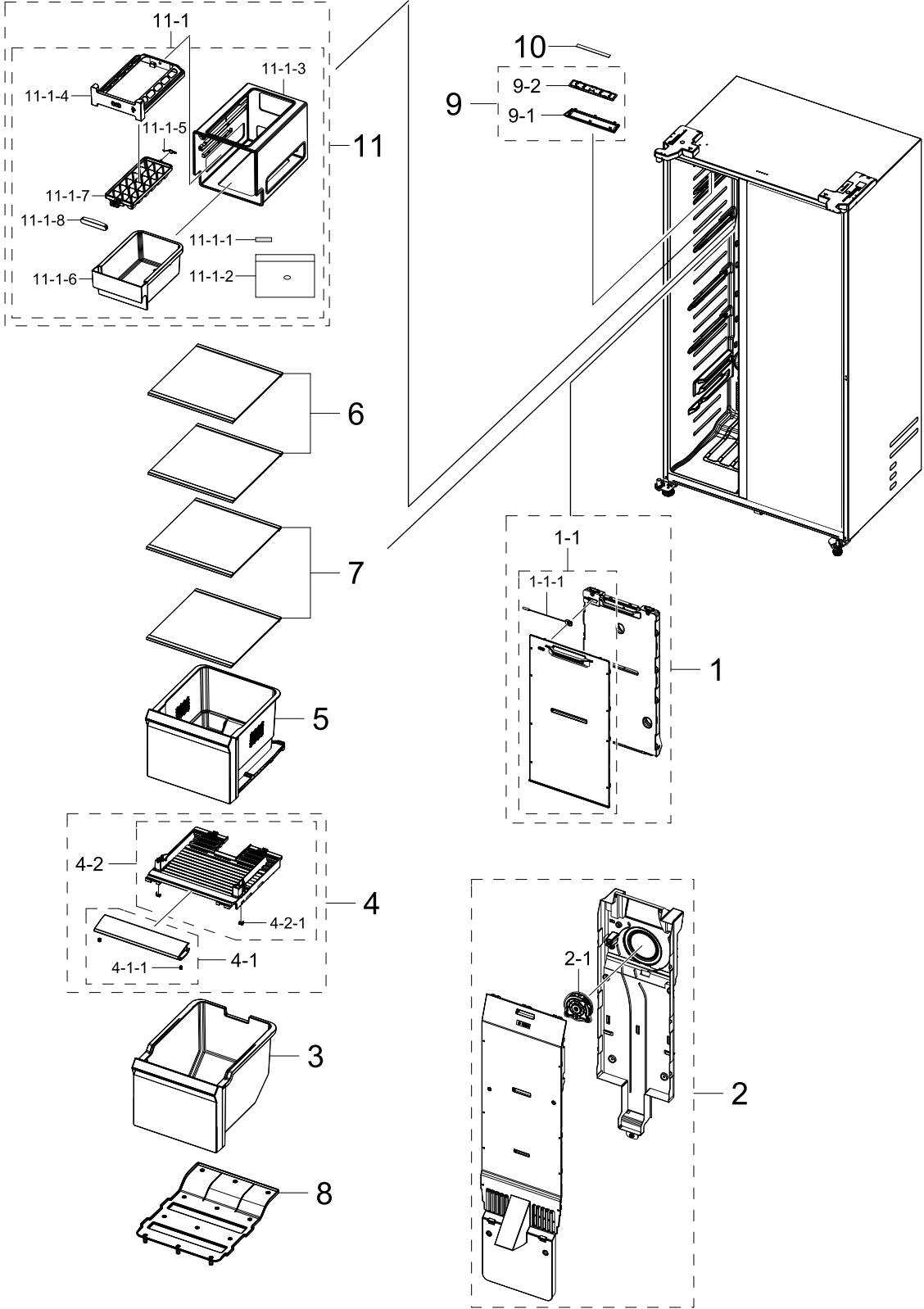


# 1. Freezer

Freezer

## Exploded View



## Parts List

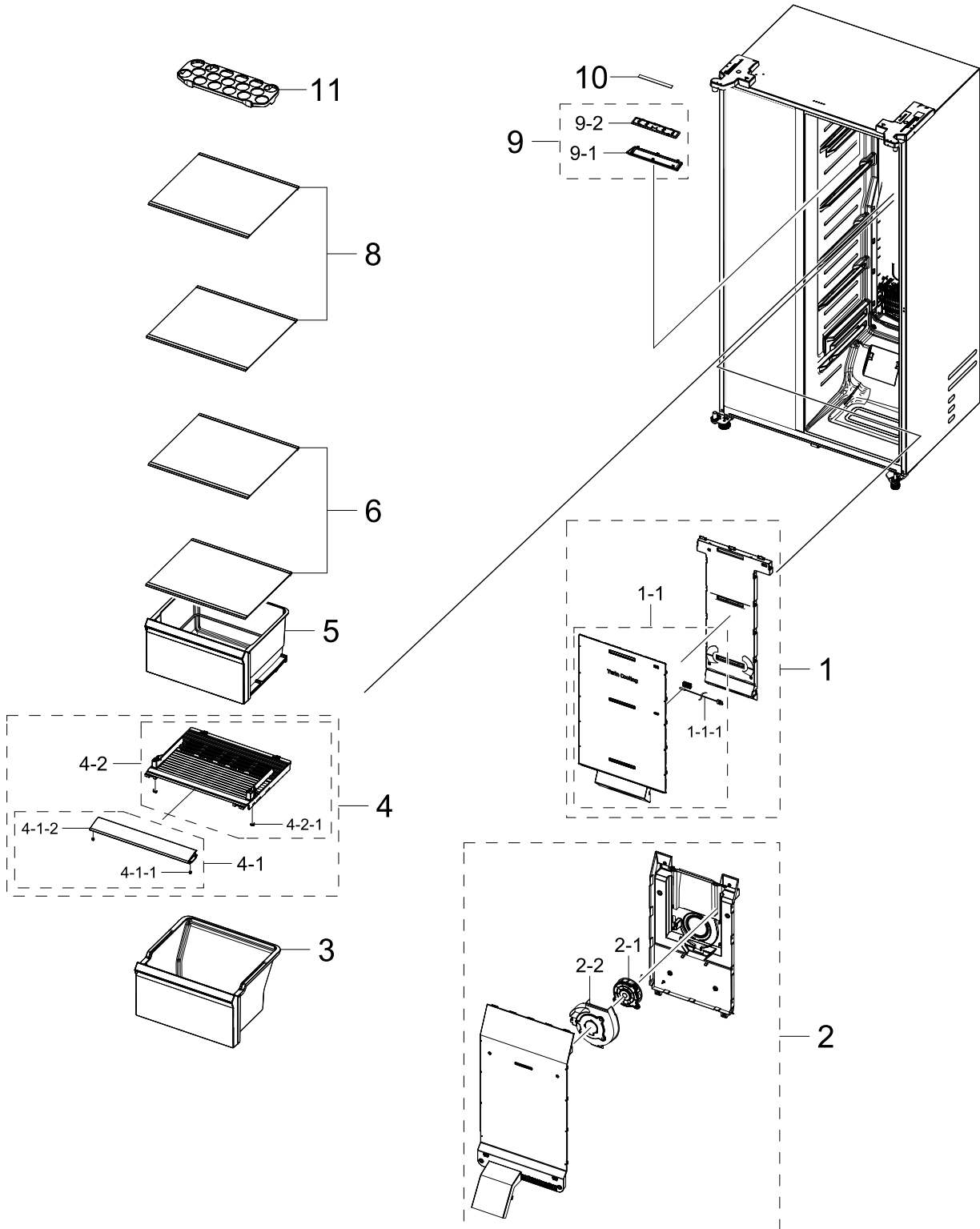
No.	Lvl.	Loc.	Material Code	Description & Specification	SNA	Qty.
1	2	M0304	DA97-21679B	ASSY COVER MULTI-FRE; RS8000 Relaunch,No	SA	1
1-1	3	M0240	DA97-21678A	ASSY COVER MULTI-FRE FRONT; RS8000 Relaun	SA	1
1-1-1	4	A1018	DA32-00070C	SENSOR TEMP; SC41200-021A,L250,11.73kohm,	SA	1
2	2	M0303	DA97-21681A	ASSY COVER EVAP-FRE; RS8000 Relaunch	SA	1
2-1	3		DA31-00334D	MOTOR BLDC FAN;12035GE-12M-YT,1775±7%,12	SA	1
3	2	A1186	DA97-19211D	ASSY CASE BASKET-LOW; RS8000AC,TP BLUE,No	SA	1
4	2		DA97-19217B	ASSY COVER SLIDE; RS8000AC,FRE, GPPS, TP	SA	1
4-1	3		DA97-19505B	ASSY COVER SLIDE; RS8000AC,FRE, GPPS, TP	SNA	1
4-1-1	4		DA63-07113A	GROMMET-COVER SIDE; HM12,Si	SA	4
4-2	3		DA97-19506A	ASSY COVER SLIDE-FRE B; RS8000NC	SNA	1
4-2-1	4	G0587	DA63-00202C	GROMMET-RAIL; TD-PJT,PA66,W10.7,COOL WHIT	SA	4
5	2		DA97-19210D	ASSY CASE BASKET-UP; RS8000AC,TP BLUE,No	SA	1
6	2		DA97-16361D	ASSY SHELF-FRE UP; RS8000AC,WIHITE TRIM	SA	2
7	2		DA97-16364J	ASSY SHELF-FRE LOW; RS8000AC,WIHITE TRIM	SA	2
8	2		DA67-04659A	SHELF-BOTTOM SHELF MODULE; RS8000NC,PP,NA	SA	1
9	2		DA97-21569A	ASSY COVER LAMP; RB7300T,COVER LAMP, ASSY	SNA	2
9-1	3	A0190	DA61-14156A	CASE LAMP; RB7300T,HIPS,T2,COOL WHITE,S83	SA	2
9-2	3	A0280	DA63-09898A	COVER LAMP; RB7300T,SBC,T2,HB,NATURAL,KR0	SA	2
10	2		DA96-01119A	ASSY LAMP LED; 3EA,FR-4,150*12,WHITE,SMAW	SA	1
11	1	A0104	DA90-12732C	ASSY ICE MAKER; RS8000AC,TWIST I/M	SNA	1
11-1	2	A0104	DA97-21141A	ASSY ICE MAKER-ICE MODULE; RS5000T	SA	1
11-1-1	3		0203-001510	TAPE-FILAMENT; PET,T0.13,W40,L110M,WHITE,	SNA	0
11-1-2	3		6902-002309	BAG PE; HDPE/PE FOAM,T0.012/T0.5,W400,L50	SNA	1
11-1-3	3		DA61-13944A	SUPPORT ICE MAKER; RS5000T,HIPS,T2.5,S834	SNA	1
11-1-4	3		DA61-14003A	CASE TRAY-ICE; RS5000T,PP,T2.5,COOL WHITE	SNA	1

No.	Lvl.	Loc.	Material Code	Description & Specification	SNA	Qty.
11-1-5	3		DA61-20136A	SPRING ETC-ICE MAKER; SR-53EA,STS304,COIL	SNA	1
11-1-6	3		DA63-07331B	TRAY ICE-CUBE; 3050 PJT, RT320/290,GPPS,-	SA	1
11-1-7	3	A0120	DA63-09801A	TRAY ICE; RS5000T,PP,T2.5,COOL WHITE	SNA	1
11-1-8	3	A0118	DA64-04461A	KNOB-TRAY ICE; 3050 TMF,ABS,COOL WHITE,MA	SA	1

# 2. Refrigerator

Refrigerator

Exploded View



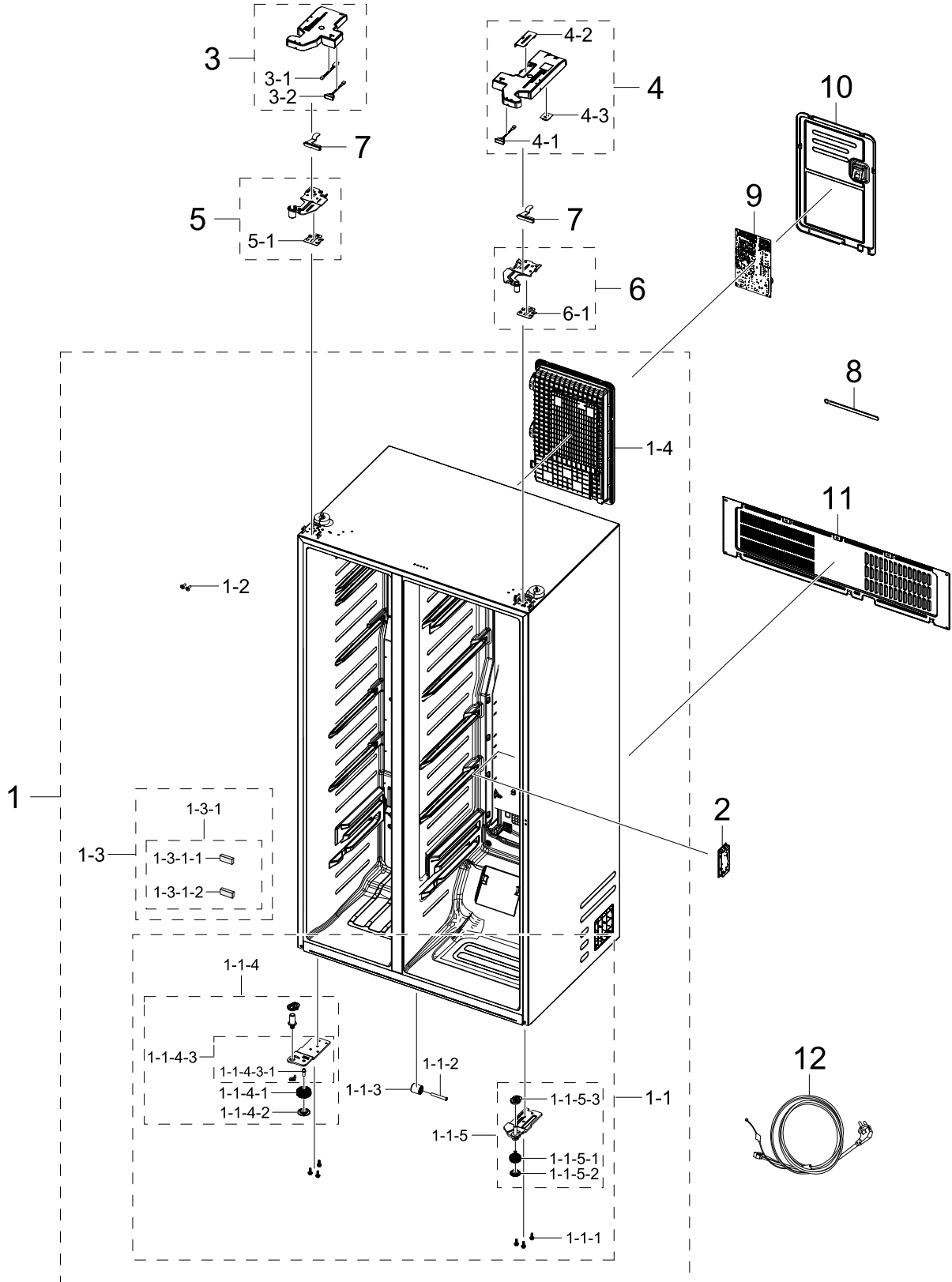
## Parts List

No.	Lvl.	Loc.	Material Code	Description & Specification	SNA	Qty.
1	2	G0239	DA97-19189D	ASSY COVER MULTI-REF; RS8000 Relaunch,No	SA	1
1-1	3	G0239	DA97-20247D	ASSY COVER MULTI-REF; RS8000NC,HIPS,T2.5,	SNA	1
1-1-1	4	A1018	DA32-00070C	SENSOR TEMP; SC41200-021A,L250,11.73kohm,	SA	1
2	2	Z1177	DA97-19188A	ASSY COVER EVAP-REF COVER EVAP MODULE; RS	SA	1
2-1	3		DA31-00334D	MOTOR BLDC FAN;12035GE-12M-YT,1775±7%,12	SA	1
2-2	3		DA61-08437A	GUIDE AIR-REF; HM12,HIPS,HB,576H,NATURAL,	SA	1
3	2	M0300	DA97-19212D	ASSY CASE VEG-LOW; RS8000AC,TP BLUE,Non P	SA	1
4	2		DA97-19218B	ASSY COVER SLIDE; RS8000AC,REF, GPPS, TP	SNA	1
4-1	3		DA97-19504B	ASSY COVER SLIDE; RS8000AC,REF, GPPS, TP	SNA	1
4-1-1	4		DA63-07113A	GROMMET-COVER SIDE; HM12,Si	SA	4
4-1-2	4		DA63-09361B	COVER SLIDE; RS8000AC,GPPS,T3,TP BLUE,147	SNA	1
4-2	3		DA97-19507A	ASSY COVER SLIDE-REF B; RS8000NC	SNA	1
4-2-1	4	G0587	DA63-00202C	GROMMET-RAIL; TD-PJT,PA66,W10.7,COOL WHIT	SA	4
5	2		DA97-19214D	ASSY CASE VEG-UP; RS8000AC,TP BLUE,No Pri	SA	1
6	2		DA97-16363H	ASSY SHELF-REF LOW; RS8000AC,WHITE TRIM	SA	2
8	2		DA97-16362J	ASSY SHELF-REF UP; RS8000AC,WHITE TRIM	SA	2
9	2		DA97-21569A	ASSY COVER LAMP; RB7300T,COVER LAMP, ASSY	SNA	2
9-1	3	A0190	DA61-14156A	CASE LAMP; RB7300T,HIPS,T2,COOL WHITE,S83	SA	2
9-2	3	A0280	DA63-09898A	COVER LAMP; RB7300T,SBC,T2,HB,NATURAL,KR0	SA	2
10	2		DA96-01119B	ASSY LAMP LED; 5,FR-4,150*12,WHITE,SMW25	SA	1
11	2	Z1106	DA67-40322A	TRAY-EGG; SR-51.55.59,GPPS,TP BLUE	SA	1

# 3. Cabinet

Cabinet

Exploded View



## Parts List

No.	Lvl.	Loc.	Material Code	Description & Specification	SNA	Qty.
1	2		DA97-22142H	ASSY CABI FORM-CABI MODULE; RS8000 F/L,UR	SNA	1
1-1	3		DA97-19254F	ASSY CABI-BOTTOM; RS8000NC,PP SCRAP,SNOW	SNA	1
1-1-1	4	A0564	DA60-10123C	BOLT-HEX; M6,L24,ZPC(WHT),SWRCH18A,HWH He	SA	6
1-1-2	4	M0146	DA61-01920A	FIXER-CASTER; ZPC2,SWRCH10A,OD8.0,L58	SA	1
1-1-3	4	M0145	DA61-04702A	CASTER-FRONT; AW-PJT,PP,BLACK	SA	1
1-1-4	4		DA97-14046B	ASSY HINGE-LOW LEFT; FSR CD,DISPENSER	SA	1
1-1-4-1	5	A0577	DA61-07972B	FOOT-FRONT; POLARIS,PP,BLACK,INSERT NUT,	SA	1
1-1-4-2	5	A0863	DA61-07973B	FOOT; POLARIS,PP,BLACK,PP_S,0103-007539,R	SA	1
1-1-4-3	5		DA61-09275B	HINGE-LOW LEFT; FSR CD,PO-SPHC,T5,-,-,DIS	SNA	1
1-1-4-3-16	16	A0517	DA66-00793A	SHAFT-LEG FRONT; POLARIS,SWRCH10A,BLACK,E	SA	1
1-1-5	4		DA97-19056A	ASSY HINGE-LOW RIGHT; RS8000NC,T7,2DOOR	SA	1
1-1-5-1	5	A0577	DA61-09458A	FOOT-FRONT; PP,I BLACK,0103-001846,0103-0	SA	1
1-1-5-2	5	A0863	DA61-09459A	FOOT; PP,I BLACK,0103-001846,0103-007621,	SA	1
1-1-5-3	5		DA66-00891A	CAM-HINGE RISER REF LOW; MONTES ALPHA,PA6	SA	1
1-2	3	G0412	6002-001120	SCREW-TAPPING; FH,+,1,M4,L18,ZPC(WHT),SWR	SA	2
1-3	3		DA97-21750B	ASSY PIPE SUCTION; RS8000NC F/L,A++, in-h	SNA	1
1-3-1	4		DA97-21750A	ASSY PIPE SUCTION; RS8000NC F/L,A++, OD7.	SNA	1
1-3-1-1	5		DA62-01018A	SEAL CUTT-RUBBER; RR2500K,RUBBER,BLACK,T5	SA	1
1-3-1-2	5		DA72-60040W	SEAL-CUTT RUBBER; TD-PJT,RUBBER,BLACK,T5,	SA	1
1-4	3		DA61-13703A	CASE PBA; RS8000,PC,EBONY BLACK,HN-1074,1	SA	1
2	2	A0626	DA97-21005K	ASSY COVER CONTROL; RS8000 F/L,basic	SA	1
3	2		DA97-19247A	ASSY COVER HINGE-UP LEFT; RS8000NC,ABS,2.	SA	1
3-1	3	A1108	DA32-00074A	SENSOR HUMIDITY; 5V,0~100%RH,REF	SA	1
3-2	3	G0068	DA34-00043A	SWITCH REED; UL1007 AWG 22,100mm,DEM1-B50	SA	1

## Exploded Views and Parts List

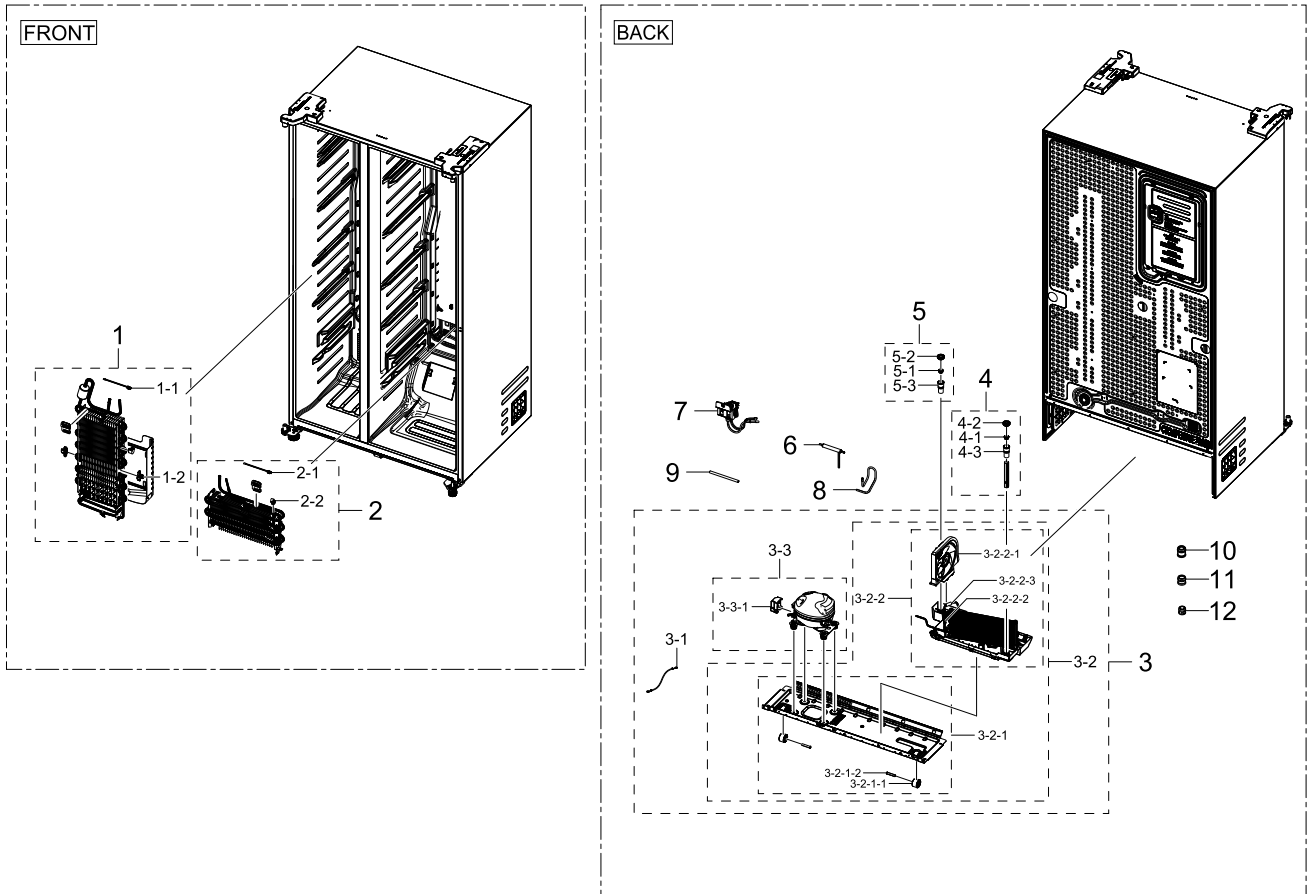
No.	Lvl.	Loc.	Material Code	Description & Specification	SNA	Qty.
4	2		DA97-21758A	ASSY COVER HINGE-UP RIGHT; RS8000AC,INOX	SA	1
4-1	3	G0068	DA34-00043A	SWITCH REED; UL1007 AWG 22,100mm,DEM1-B50	SA	1
4-2	3		DA63-08442A	COVER HINGE-B; RF9000K,ABS,INOX GRAY,ABS2	SA	1
4-3	3		DA92-00817A	ASSY MODULE; BUZZER PBA,RB6000K	SA	1
5	2		DA97-19227A	ASSY HINGE-UP LEFT; RS8000NC,BLK	SA	1
5-1	3		DA63-50192A	SHIM-HINGE UPP; PVC,T1.0,NATURAL,T1.0	SA	1
6	2		DA97-19132A	ASSY HINGE-UP RIGHT; RS8000NC,BLK	SA	1
6-1	3		DA63-50192A	SHIM-HINGE UPP; PVC,T1.0,NATURAL,T1.0	SA	1
7	2		DA61-04932B	FIXER-HINGE; PO-SPHC,T3,Zn coating	SA	2
8	2		DB61-00206A	HOLDER-WIRE; FDR / SBS,ZNDC,BLACK	SA	1
9	1		DA94-05748P	ASSY PCB EEPROM; 0x75,D603,D605,D606,D607	SA	1
10	2		DA97-13181G	ASSY COVER PBA-MAIN; RS8000,T0.5	SA	1
11	2	M0076	DA97-19123A	ASSY COVER COMP; RS8000NC,GI-SGCC,T0.25	SA	1
12	2	A0273	3903-001015	POWER CORD-AT; H05VV-F 3x0.75mm2,BLK,EU3F	SA	1



## 4. Cycle

Cycle

### Exploded View



### Parts List

No.	Lvl.	Loc.	Material Code	Description & Specification	SNA	Qty.
1	2	A0163	DA96-01316C	ASSY EVAP-FRE EVAP MODULE; RS8000NC,FIN T	SA	1
1-1	3	A1018	DA32-00070Q	SENSOR TEMP; DOUBLE_INSULATION,L200,13.2k	SA	1
1-2	3	G0205	DA61-04921B	FIXER-HEATER FRE; HERMES-PJT,PP,NATURAL,F	SA	2
2	2	A0184	DA96-01318A	ASSY EVAP-REF EVAP MODULE; RS8000NC,FIN T	SA	1
2-1	3	A1018	DA32-00070Q	SENSOR TEMP; DOUBLE_INSULATION,L200,13.2k	SA	1
2-2	3		DA61-06013B	FIXER WIRE; AW3-PJT,PP,T2,NATURAL,HB,BJ75	SA	1
3	2		DA97-22145C	ASSY COMP N CONDENSING-COND MODULE; RS800	SNA	1

Exploded Views and Parts List

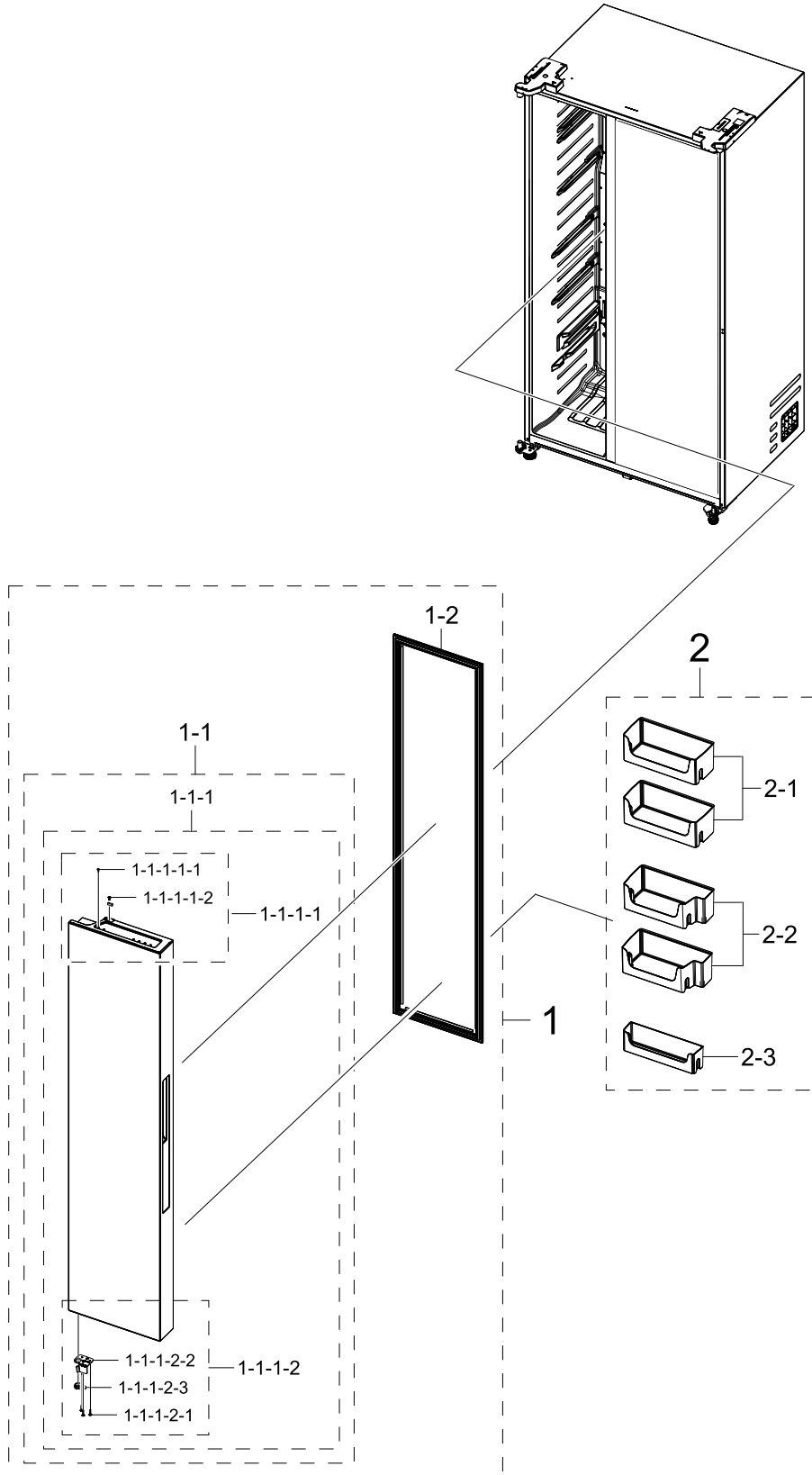
No.	Lvl.	Loc.	Material Code	Description & Specification	SNA	Qty.
3-1	3	A0562	DA39-20389L	ASSY WIRE HARNESS-EARTH; EARTH,ALL,FREE V	SA	1
3-2	3		DA97-19448A	ASSY CHASSIS; RS8000NC	SNA	1
3-2-1	4	A0526	DA97-19127A	ASSY CHASSIS COMP; RS8000NC,GI-SGCC,1.2	SA	1
3-2-1-1	5	A0527	DA61-04703A	CASTER-REAR; AW-PJT,PP,BLACK,M/B(0103-002	SA	2
3-2-1-2	5	M0212	DA66-00649B	SHAFT-CASTER; POLARIS,MSWR10,L44,ID8.0,OD	SA	2
3-2-2	4	A0529	DA97-19128A	ASSY TRAY DRAIN WATER; RS8000NC	SA	1
3-2-2-1	5	M0116	DA97-20025B	ASSY SUPPORT-CIRCUIT MOTOR; RS5000RC,C160	SA	1
3-2-2-2	5		DA97-20131A	ASSY PIPE IMMERSING; RS8000NC,TSW,OD4.76,	SA	1
3-2-2-3	5		DA97-20140A	ASSY PIPE IMMERSING; RS8000NC,TSW,OD4.76,	SA	1
3-3	3		NF54M5151ARAK3	CMP,COMP,REFRIGERATOR,R-600A; CMP,COMP,REFRIGERATOR,R-600A		1
3-3-1	4	Z1032	DA63-06122A	COVER RELAY; MSV,MPPE,T2,BLACK,N300X,V-0	SA	1
4	2	M0067	DA97-04049D	ASSY CAP-DRAIN; AW,ASSY,-,L224.5,-,FIXE	SA	1
4-1	3	A0336	DA61-05021A	FIXER-DRAIN; HAEMIL,PP,T0.6,CARMEN WINE,B	SA	2
4-2	3		DA63-02761A	GROMMET-DRAIN; RS18RK,NBR,BLACK	SA	2
4-3	3	A0492	DA67-01301A	CAP-DRAIN; AW4,HIPS,HB,576H,NATURAL	SA	2
5	2		DA97-18856A	ASSY CAP DRAIN; RQ9500M	SA	1
5-1	3	A0336	DA61-05021A	FIXER-DRAIN; HAEMIL,PP,T0.6,CARMEN WINE,B	SA	2
5-2	3		DA63-02761A	GROMMET-DRAIN; RS18RK,NBR,BLACK	SA	2
5-3	3	A0492	DA67-01301A	CAP-DRAIN; AW4,HIPS,HB,576H,NATURAL	SA	2
6	2	A0669	DA62-04309A	DRYER; C1220T-H,L137,SINGLE MOUTH,For VAL	SA	1
7	2		DA62-04678B	VALVE STEP; DC12V,MODULE,2WAY,RIGHT/RIGHT	SA	1
8	2		DA62-05167A	PIPE CONNECT-SUCTION; RS8000NC,Cu,OD6.35,	SA	1
9	2	A0523	DA73-10190U	PIPE-CONNECT DISC,B; ALL,Cu,C1220T,OD6.35	SA	1
10	2		DA60-00279A	FITTING-LOKRING 16; SUM23,16, 11SMnPb30K	SA	1

No.	Lvl.	Loc.	Material Code	Description & Specification	SNA	Qty.
11	2		DA60-00280A	FITTING-LOKRING 33; SUM23,ID3/16,33, 11SM	SA	1
12	2		DA60-00281A	FITTING LOCK SLEEVE; SUM23,ID5.02,11SMnPb	SA	1

# 5. Door Fre

Door Fre

Exploded View



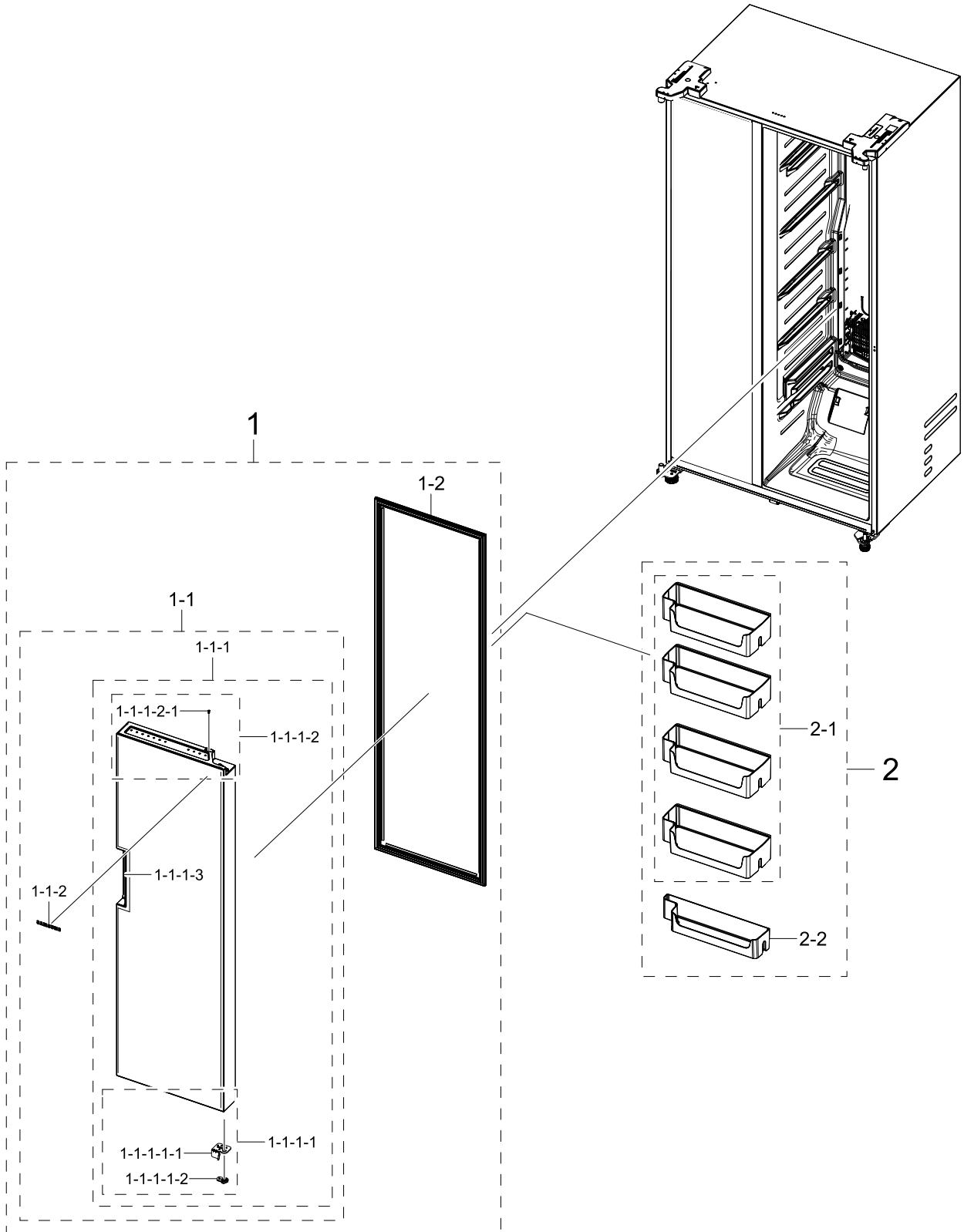
## Parts List

No.	Lvl.	Loc.	Material Code	Description & Specification	SNA	Qty.
1	2		DA93-00955S	ASSY DOOR SUB-FRE DOOR MODULE; RS8000 F/L	SNA	1
1-1	3	M0063	DA91-05445A	ASSY DOOR FOAM-FRE; RS8000NC,6SERIES, NO	SA	1
1-1-1	4		DA97-21734A	ASSY PLATE DOOR-FRE; RS8000NC,6SERIES,REC	SNA	1
1-1-1-1	5		DA97-21729A	ASSY CAP DOOR-FRE UP; RS8000NC,INOX GRAY,	SNA	1
1-1-1-1-16		G0412	6002-001547	SCREW-TAPPING; FH,+,NO,1,M4,L10,ZPC(WHT),	SA	1
1-1-1-1-26			DA67-02795C	CAP-SHAFT HOLE; AW3,ABS,HG-0760GP,SNOW WH	SA	1
1-1-1-2	5	A0047	DA97-19263E	ASSY CAP DOOR-FRE LOW; RS8000NC,2DOOR, 3D	SNA	1
1-1-1-2-16		G0412	6002-000524	SCREW-TAPPING; TH,+,2S,M4,L20,ZPC(WHT),SW	SA	1
1-1-1-2-26			DA61-07527A	STOPPER-DOOR FRE LOW; POLARIS,PO-SPHC,T4.	SA	1
1-1-1-2-36		M0265	DA66-00558B	CAM HINGE-RISER UPP L; POLARIS,PA66,BLACK	SA	1
1-2	3		DA97-19851G	ASSY GASKET-FRE; RS8000NC,L1642.5,W344.5,	SA	1
2	1	A0166	DA90-12720E	ASSY GUARD; RS8000AC,TWIST I/M,BLUE	SNA	1
2-1	2	A0711	DA63-09367A	GUARD-FRE; RS8000NC,GPPS,T3,TP BLUE	SNA	2
2-2	2	M0366	DA63-09331A	GUARD-FRE UP; RS8000NC,GPPS,T3.5,TP BLUE	SNA	2
2-3	2	M0365	DA63-09332A	GUARD-FRE LOW; RS8000NC,GPPS,T3.5,TP BLUE	SNA	1

# 6. Door Ref

Door Ref

Exploded View



**Parts List**

No.	Lvl.	Loc.	Material Code	Description & Specification	SNA	Qty.
1	2		DA93-00954J	ASSY DOOR SUB-REF DOOR MODULE; RS8000 F/L	SNA	1
1-1	3	Z1100	DA91-05449A	ASSY DOOR FOAM-REF; RS8000NC,6,7SERIES ,	SA	1
1-1-1	4		DA97-21738A	ASSY PLATE DOOR-REF; RS8000NC,7SERIES,SHO	SNA	1
1-1-1-1	5	A0048	DA97-19270D	ASSY CAP DOOR-REF LOW; RS8000NC,BLACK,2DO	SNA	1
1-1-1-1-1	6	A1017	DA61-07526A	STOPPER-DOOR REF LOW; POLARIS,PO-SPHC,T4.	SA	1
1-1-1-1-2	6	G0554	DA66-00557A	CAM HINGE-RISER UPP R; GUGGENHEIM,PA66,BL	SA	1
1-1-1-2	5		DA97-21730A	ASSY CAP DOOR-REF UP; RS8000NC,INOX GRAY,	SNA	1
1-1-1-2-1	6		DA67-02795C	CAP-SHAFT HOLE; AW3,ABS,HG-0760GP,SNOW WH	SA	1
1-1-1-3	5	A0809	DA97-21756A	ASSY HANDLE-REF; RS8000NC,EBONY BLACK,2 D	SA	1
1-1-2	4	M0196	DA64-04021C	MASCOT; ALL,Ni,T0.06,L90	SA	1
1-2	3		DA97-19851E	ASSY GASKET-REF; RS8000NC,L1642.5,W469.5,	SA	1
2	1	A0166	DA90-12720E	ASSY GUARD; RS8000AC,TWIST I/M,BLUE	SNA	1
2-1	2	M0447	DA63-09329A	GUARD-REF UP; RS8000NC,GPPS,T3.5,TP BLUE	SNA	4
2-2	2	M0369	DA63-09330A	GUARD-REF LOW; RS8000NC,GPPS,T3.5,TP BLUE	SNA	1