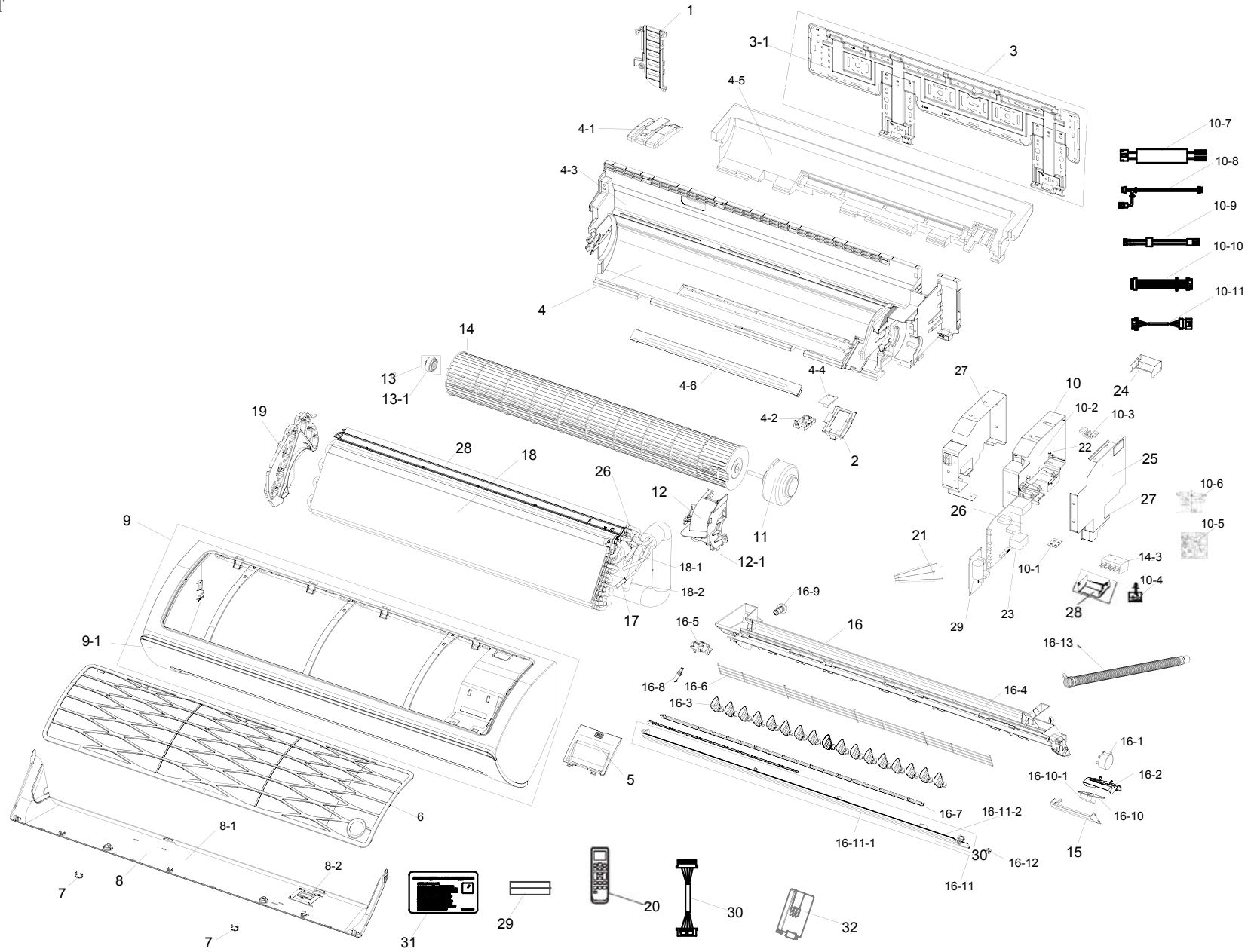


Exploded Views and Parts List

INDOOR UNIT



No.	CodeNo.	Description	Q'ty	SA/SNA
			AR12HSF5BURNET	
1	DB61-05853A	HOLDER-PIPE	1	SA
2	DB63-03491A	COVER BODY-SPI	1	SA
3	DB90-07732A	ASSY HANGER	1	SA
3-1	DB61-05958A	HANGER-LINK	1	SA
4	DB94-04159B	ASSY BACK BODY	1	SA
4-1	DB61-05849A	HOLDER	1	SNA
4-2	DB61-05854A	CASE PCB-REMOCON	1	SNA
4-3	DB61-05831A	BODY BACK	1	SNA
4-4	DB92-02874A	ASSY PCB SUB	1	SA
4-5	DB62-11536A	SEAL CUSHION-BODY	1	SNA
4-6	DB63-03490A	COVER BODY	1	SA
5	DB63-03494A	COVER PANEL-SUB	1	SA
6	DB94-04365A	ASSY FILTER-PRE	1	SA
7	DB67-01404A	CAP-SCREW	2	SNA
8	DB92-02894A	ASSY-COVER PANEL	1	SA
8-1	DB63-03497A	COVER PANEL	1	SNA
8-2	DB64-03045A	BUTTON POWER	1	SNA
9	DB92-02963M	ASSY PANEL FRONT	1	SA
9-1	DB64-02987D	GRILLE INLET	1	SA
10	DB93-14235F	ASSY CONTROL IN	1	SNA
10-1	DB61-05812A	PLATE CONTROL-SUB	1	SNA
10-2	DB61-05826A	CASE CONTROL-IN	1	SNA
10-3	DB61-05871A	HOLDER-WIRE	1	SNA
10-4	DB65-00326A	TERMINAL BLOCK-THERMAL FUSE	1	SA
10-5	DB92-02873A	ASSY PCB MAIN	1	SA
10-6	DB92-02861A	ASSY MODULE	1	SA
10-7	DB93-14203A	ASSY CONNECTOR WIRE-POWER	1	SA
10-8	DB93-14207A	ASSY CONNECTOR WIRE-DC SIGNAL	1	SA
10-9	DB93-14447A	ASSY CONNECTOR WIRE-COMM	1	SA
10-10	DB93-14208A	ASSY CONNECTOR WIRE-DC SIGNAL	1	SA
10-11	DB93-14245A	ASSY CONNECTOR WIRE-EARTH	1	SA
11	DB31-00636A	MOTOR AC FAN	1	SA
12	DB63-03492A	ASSY COVER MOTOR	1	SA
12-1	DB63-03492A	COVER MOTOR	1	SA
13	DB94-00455B	ASSY-RUBBER BEARING	1	SA
13-1	DB94-40007B	ASSY-BEARING	1	SNA
14	DB94-01550D	ASSY FAN CROSS	1	SA
15	DB90-07851C	ASSY COVER DISPLAY	1	SNA
16	DB94-04160B	ASSY TRAY DRAIN	1	SA
16-1	DB31-00369D	MOTOR STEP	1	SA
16-2	DB61-05827A	CASE-DISPLAY	1	SA
16-3	DB61-05846A	BLADE V	17	SNA
16-4	DB63-03501A	TRAY DRAIN	1	SNA
16-5	DB61-05872A	GUIDE BLADE	1	SNA
16-6	DB63-03529A	GUARD-SCREEN	1	SNA
16-7	DB66-01728A	LINK BLADE-A	1	SA
16-8	DB66-01730A	LINK BLADE-B	1	SA
16-9	DB73-00180B	RUBBER-CAP DRAIN	1	SA
16-10	DB92-02876A	ASSY PCB DISPLAY	1	SA
16-10-1	DB64-02991D	WINDOW DISPLAY	1	SA
16-11	DB92-02897A	ASSY BLADE H	1	SA
16-11-1	DB61-05832A	BLADE H-TOP	1	SA
16-11-2	DB61-05833A	BLADE H-BOTTOM	1	SA
16-12	DB61-03132A	HOLDER-BLADE OUT	1	SNA
16-13	DB94-00458H	ASSY HOSE DRAIN	1	SA
17	DB67-60030A	SPRING-SENSOR	2	SA
18	DB96-19014C	ASSY EVAP TOTAL	1	SNA
18-1	DB96-18900A	ASSY TUBE EVAP IN	1	SNA
18-2	DB96-18901A	ASSY TUBE EVAP OUT	1	SNA
19	DB63-03511A	COVER EVAP	1	SA
20	DB93-14195A	ASSY WIRELESS REMOCON	1	SA
21	DB93-14202A	ASSY CONNECTOR WIRE-POWER	1	SA
22	DB61-05963A	SUPPORT-CONTROL	1	SA
23	DB95-05163A	ASSY THERMISTOR IN	1	SA
24	DB61-05965A	PLATE CONTROL-UP	1	SA
25	DB61-05959A	PLATE CONTROL-RIGHT	1	SA
26	DB67-01431A	RUBBER PIPE	1	SA
27	DB61-06079A	PLATE CONTROL-MIDDLE	1	SA
28	DB61-05829A	HOLDER EVAP	1	SA
29	4301-000121	BATTERY-MN	2	SA
30	DB93-14206A	ASSY CONNECTOR WIRE-DC SIGNAL	1	SA
31	6812-000082	LABEL AS LIST	1	SA
32	DB61-06101A	CASE PCB-LOW	1	SA