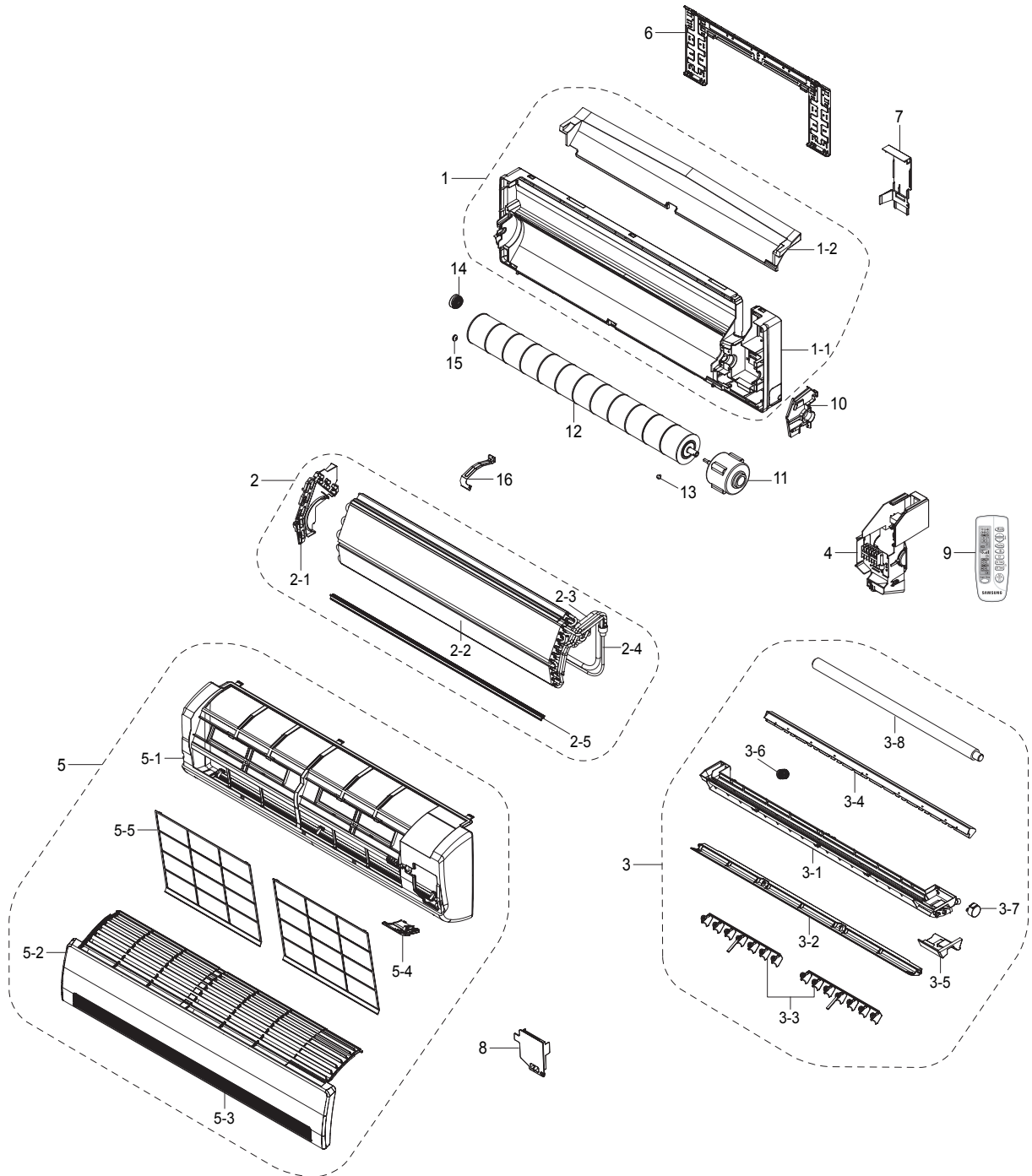


5. Exploded Views and Parts List

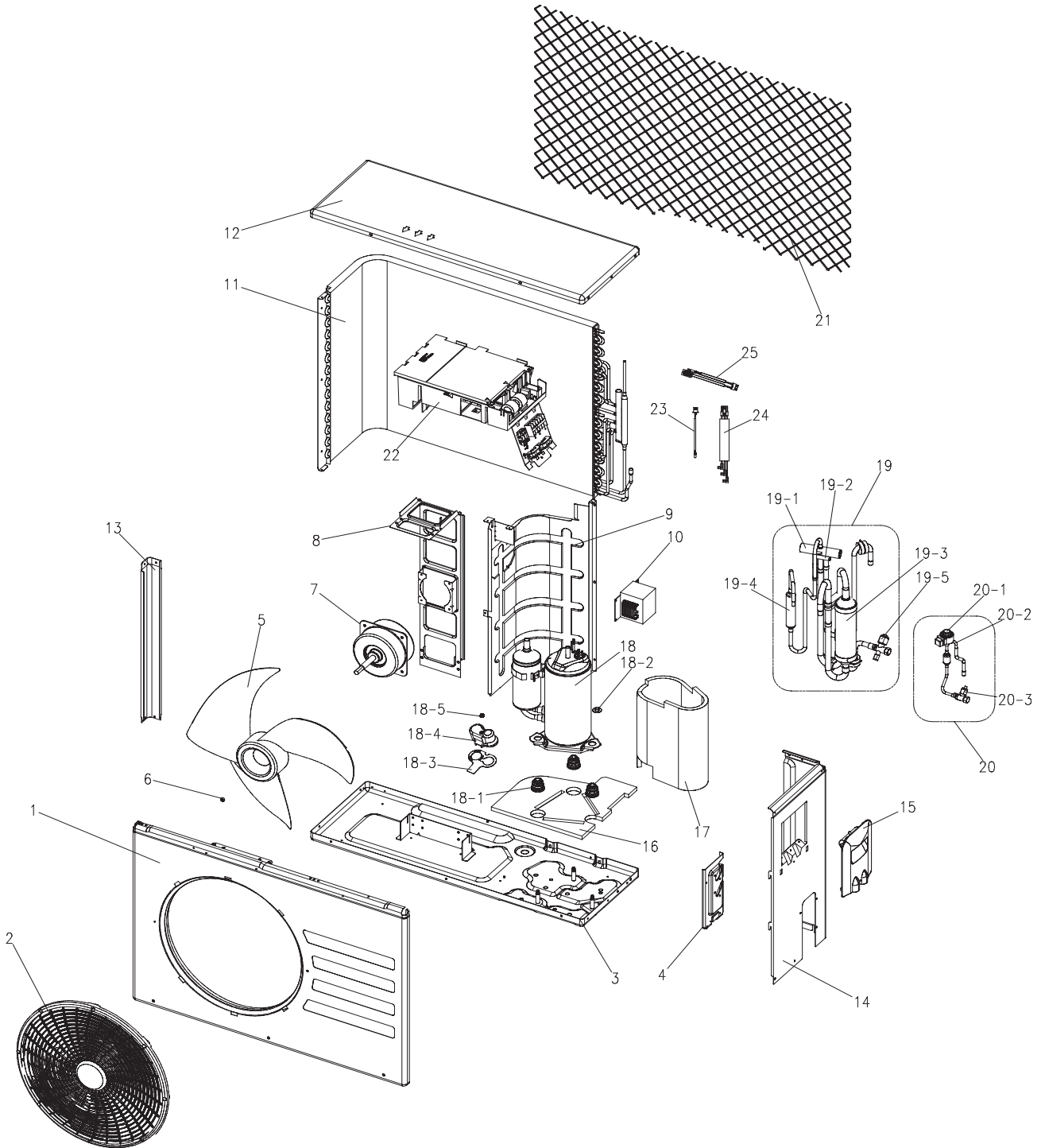
5-1 Indoor Unit



■ Parts List

No.	Code No.	Description	Specification	Q'TY		SA/SNA
				AQV18FAN	AQV24FAN	
1	DB94-00615B	ASS'Y BACK BODY	ASS'Y	1	1	SA
1-1	DB61-01974B	BACK BODY	HIPS	1	1	SNA
1-2	DB69-01039A	CUSHION BACK BODY	EPS	1	1	SNA
2	DB96-06587B	ASS'Y EVAP TOTAL	ASS'Y	1	-	SA
	DB96-06587C	ASS'Y EVAP TOTAL	ASS'Y	-	1	SA
2-1	DB63-01065A	COVER BEARING	ABS	1	1	SNA
2-2	DB96-06587B	ASS'Y EVAP MAIN	ASS'Y	1	1	SNA
	DB96-06525B	ASS'Y EVAP SUB	ASS'Y	1	1	SNA
2-3	DB96-03756B	ASS'Y TUBE EVAP OUT	ASS'Y	1	-	SA
	DB96-03756A	ASS'Y TUBE EVAP OUT	ASS'Y	-	1	SA
2-4	DB96-06500B	ASS'Y TUBE EVAP IN		1	1	SA
2-5	DB60-00192A	SPACER EVAP LOW		1	1	SNA
3	DB94-00616E	ASS'Y TRAY DRAIN	ASS'Y	1	1	SA
3-1	DB63-01071A	TRAY DRAIN	ABS	1	1	SNA
3-2	DB61-01975C	BLADE-H	HIPS	1	1	SA
3-3	DB61-01976A	BLADE-V	PP	2	2	SA
3-4	DB63-01066A	TRAY STABILIZER	ABS	1	1	SNA
3-5	DB69-01024A	CUSHION EPS TRAY RH	EPS	1	1	SA
3-6	DB73-00180A	RUBBER CAP DRAIN	GUM-EPM	1	1	SNA
3-7	DB31-00285A	ASS'Y MOTOR STEPPING	220-240V~, 50/60Hz, Class E	1	1	SA
3-8	DB94-00458B	ASS'Y DRAIN HOSE	ASS'Y	1	1	SA
4	DB93-04261A	ASS'Y CONTROL IN	ASS'Y	1	1	SA
5	DB92-00850H	ASS'Y PANEL FRONT	ASS'Y	1	1	SA
5-1	DB64-01184C	PANEL FRONT	HIPS	1	1	SA
5-2	DB64-01630D	GRILLE AIR INLET	HIPS	1	1	SA
5-3	DB64-01654B	DECORATION GRILLE	PC(GRAY)	1	1	SA
5-4	DB93-02867C	ASS'Y COVER DISPLAY	ASS'Y	1	1	SA
5-5	DB63-01592A	GUARD AIR FILTER	PP	2	2	SNA
6	DB90-02738A	ASS'Y PLATE HANGER	ASS'Y	1	1	SNA
7	DB61-01981B	HOLDER PIPE	PS	1	1	SNA
8	DB63-01063C	COVER TERMINAL	ABS	1	1	SA
9	DB93-03170S	ASS'Y REMOCON	ARH-463	1	1	SA
10	DB96-03817A	ASS'Y SUPPORT EVAP RH	HIPS	1	1	SA
11	DB31-00267A	MOTOR IN	220-240V~, 50/60Hz, Class E	1	1	SA
12	DB94-00456B	ASS'Y CROSS FAN	OD92	1	1	SA
13	DB97-02075A	ASS'Y BOLT SPECIAL	ASS'Y	1	1	SNA
14	DB94-00455A	ASS'Y RUBBER BEARING	ASS'Y	1	1	SNA
15	DB94-40007A	ASS'Y BEARING MOTOR	BEARING	1	1	SA
16	DB61-01977A	BRACKET EVAP	SGCC-M	1	1	SA

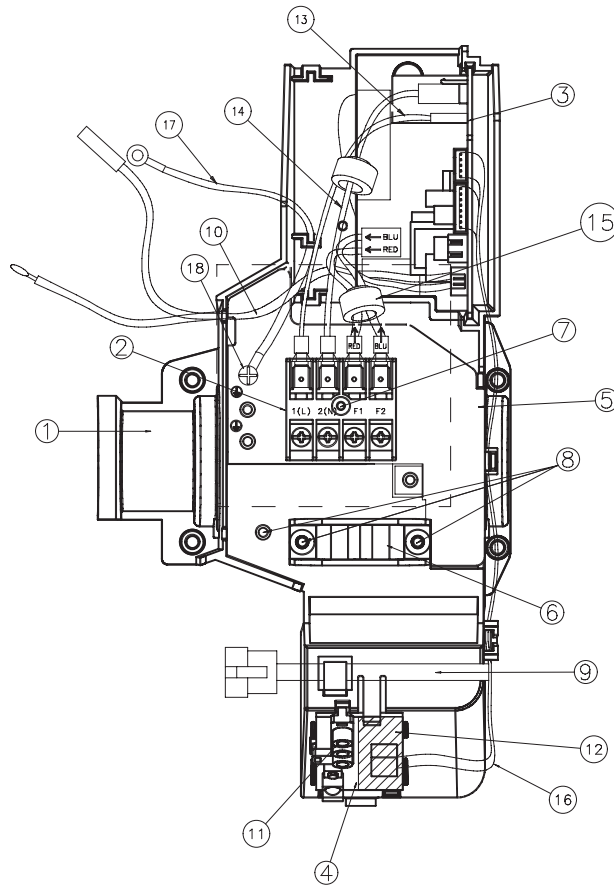
5-2 Outdoor Unit



■ Parts List

No.	Code No.	Description	Specification	Q'TY		SA/SNA
				AQV18FAX	AQV24FAX	
1	DB90-01146D	ASS'Y CABI FRONT	ASS'Y, SC-94445T	1	1	SA
2	DB63-00838A	GUARD FAN	HIPS, SC-90073R	1	1	SA
3	DB90-00970T	ASS'Y BASE OUT	ASS'Y, SC-94445T	1	-	SA
	DB90-00970K			-	1	
4	DB61-01593A	BRACKET VALVE	SECC-P, SC-94445T	1	1	SA
5	DB67-00142A	FAN-PROPELLER	AS+G/F20%, Ø420	1	1	SA
6	DB60-30020A	NUT-HEXAGON	M6	1	1	SA
7	DB31-00264D	MOTOR FAN OUT	AC Motor	1	1	SA
8	DB61-00686A	BRACKET MOTOR	SGCC-M	1	1	SA
9	DB94-01210A	ASS'Y PARTITION	ASS'Y, SGCC-M	1	1	SA
10	DB27-00043A	REACTOR	PPS, 20A	1	1	SA
11	DB96-04087B	ASS'Y COND UNIT	ASS'Y	1	1	SA
12	DB90-10616G	ASS'Y CABI UP	ASS'Y, SC-94445T	1	1	SA
13	DB63-00692A	GUARD COND	SECC-P, SC-94445T	1	1	SA
14	DB90-01651B	ASS'Y CABINET SIDE RH	ASS'Y, SC-94445T	1	1	SA
15	DB90-40176B	COVER CONTROL	ABS, SC-90073R	1	1	SA
16	DB63-01718A	FELT COMP BASE	FELT+PVC Sheet	1	-	SA
	DB63-01719A			-	1	
17	DB63-01669A	FELT COMP SIDE	FELT+PVC Sheet	1	-	SA
	DB63-01668A			-	1	
18	G4B135LUAEH	COMPRESSOR	ROTARY, BLDC	1	-	SNA
	G8T260FUAEW			-	1	
18-1	DB63-00763A	GROMMET ISOLATOR	NR	3	-	SNA
	DB63-00815A			-	3	
18-2	DB60-30028A	SCREW HEX	M8	3	3	SNA
18-3	DB63-00817A	GASKET	EPDM	1	1	SNA
18-4	DB63-00816A	COVER TERMINAL	PBT (G/F 15%)	1	1	SNA
18-5	6021-001142	SCREW MACHINE	M5	1	1	SNA
19	DB99-00851A	ASS'Y VALVE 4WAY	ASS'Y	1	1	SA
	DB99-00852A					
19-1	DB62-02338A	4WAY VALVE	R410A, SANHUA	1	1	SNA
19-2	DB33-00002C	SOLENOID COIL	ASS'Y	1	1	SNA
19-3	DB67-00765A	ACCUMULATOR	STEEL ACCUM.	1	1	SNA
19-4	DB97-02054A	TUBE MUFFLER	C1220T-0	1	-	SNA
19-5	DB62-02285A	VALVE SERVICE	R410A, SANHUA, 1/2"	1	-	SNA
	DB62-02342A		R410A, SANHUA, 5/8"	-	1	
20	DB96-06744A	ASS'Y VALVE EEV		1	1	SA
20-1	DB62-03964A	VALVE EXPANSION COIL	FUJIKOKI	1	1	SNA
20-2	DB62-02863A	VALVE EXPANSION BODY	FUJIKOKI	1	1	SNA
20-3	DB62-02283A	VALVE SERVICE	R410A, SANHUA, 1/4"	1	1	SNA
21	DB61-00821B	GUIDE SCREEN	P.E.H 100%	1	1	SA
22	DB93-04268B	ASS'Y CONTROL OUT	ASS'Y	1	-	SA
	DB93-04268A			-	1	
23	DB32-00176A	THERMISTOR OUT/DIS	ASS'Y	1	1	SA
24	DB32-00175A	THERMISTOR COND	ASS'Y	1	1	SA
25	DB39-01301A	CONNECT WIRE COMP	ASS'Y	1	1	SA

5-3 Ass'y Control In : DB93-04261A



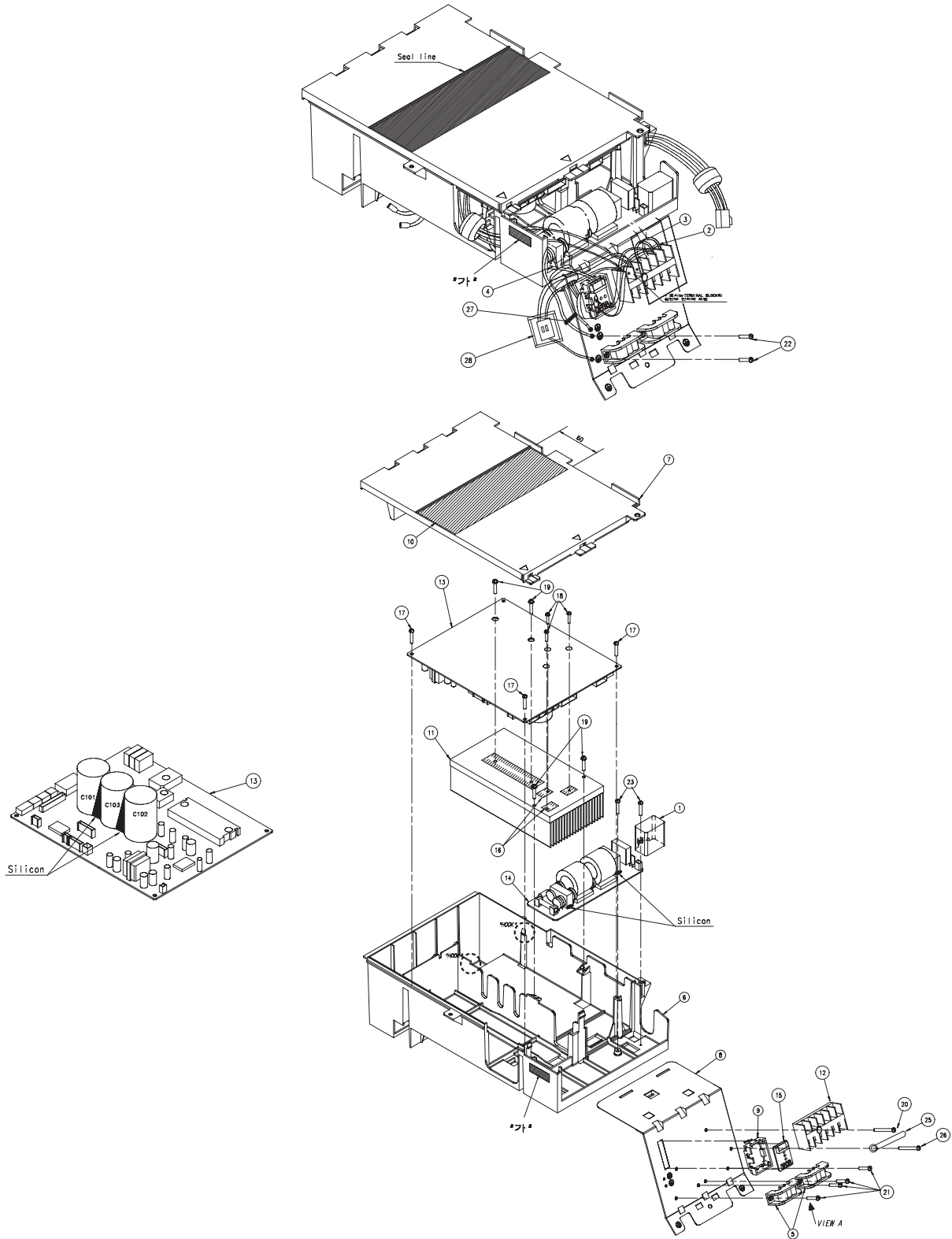
■ Parts List

No.	Code No.	Description	Specification	Q'ty	SN/SNA
1	DB61-01979A	CASE-CONTROL IN	ABS	1	SA
2	DB65-00004U	TERMINAL BLOCK	DAF-4P	1	SNA
3	DB93-05620A	ASSY-PCB IN MAIN	FORTE, 18K/24K	1	SA
4	DB93-03117A	ASSY-PCB DISPLAY	WW1 Dynamic	1	SNA
5	DB70-00507A	PLATE CONTROL IN	SGCC-M, T1.2	1	SNA
6	DB61-01097A	HOLDER WIRE CLAMP	ABS,BLK	1	SA
7	6001-000929	SCREW	PH+,M3,L23	1	SNA
8	6001-001054	SCREW	TH+,M4,L16	3	SNA
9	DB93-04832A	CONNECT WIRE	STEP MOTOR	1	SNA
10	DB95-01113A	SENSOR	4P(103AT)	1	SA
11	DB63-00851A	COVER DRAIN	ABS	1	SNA
12	DB73-00242B	RUBBER BAND	RUBBER	1	SNA
13	DB39-00765T	CONNECT WIRE	BRN	1	SNA
14	DB39-01193A	CONNECT WIRE	SKYBLU,3P	1	SNA
15	DB39-01210B	CONNECT WIRE	RED/BLU	1	SNA
16	DB93-04685A	CONNECT WIRE	DISPLAY	1	SNA
17	DB39-00148A	CONNECT WIRE	EARTH	1	SNA
18	6009-001001	SCREW	TH+,M4,L8	1	SNA

MEMO

5-4 Ass'y Control Out

■ Aqv18FAX : DB93-04268B
Aqv24FAX : DB93-04268A



■ Parts List

No.	Code No.	Description	Specification	Q'ty		SA/SNA
				AQV18FAX	AQV24FAX	
1	2301-001378	C-FILM,LEAD-OTHER	3.5uF,450V	1	-	SA
	2301-001379	C-FILM,LEAD-OTHER	4.0uF,450V	-	1	SA
2	DB93-04339A	ASSY LEAD WIRE	SKYBLU	1	1	SNA
3	DB93-04339B	ASSY LEAD WIRE-POWER L	BRN	1	1	SNA
4	DB93-04337A	ASSY CONNECTOR WIRE	5P,MAIN TO DISPLAY	1	1	SNA
5	DB61-01097A	HOLDER-WIRE CLAMP	ABS,BLK	2	2	SA
6	DB61-02973A	CASE-CONTROL BASE	ABS V0,T2.0	1	1	SNA
7	DB61-02974A	CASE-CONTROL COVER	ABS V0,T2.0	1	1	SNA
8	DB61-02977A	PLATE-CONTROL OUT	SGCC_M,T0.6	1	1	SNA
9	DB61-02975A	CASE-DISPLAY PCB	ABS V0,T2.0	1	1	SNA
10	DB62-04566B	SEAL-COVER CONTROL	FOAM-LEX,T2,WHT	1	1	SNA
11	DB62-04626A	HEAT SINK	100mm,185mm,50mm,AL	1	1	SNA
12	DB65-00181C	TERMINAL BLOCK	DAF-6P	1	1	SNA
13	DB93-04266B	ASSY PCB MAIN-OUT	PCB-2L	1	-	SA
	DB93-04266A	ASSY PCB MAIN-OUT	PCB-2L	-	1	SA
14	DB93-04267B	ASSY PCB SUB-EMI	PCB-2L	1	-	SA
	DB93-04267A	ASSY PCB SUB-EMI	PCB-2L	-	1	SA
15	DB93-04329A	ASSY PCB DISPLAY	PCB-1L	1	1	SA
16	DB98-17991A	ASSY-INSULATOR MICA	MICA	2	2	SNA
17	6002-000630	SCREW-TAPPING	PH+,M2,L8	3	3	SNA
18	DB91-00306A	ASSY-SCREW MACHINE	PH+,M3,L16	3	3	SNA
19	DB91-00307A	ASSY-SCREW MACHINE	PH+,M4,L16	4	4	SNA
20	6002-000555	SCREW-TAPPING	PH+,M4,L25	1	1	SNA
21	6001-001054	SCREW-MACHINE	TH+,M4,L10	4	4	SNA
22	6009-001001	SCREW-SPECIAL	TH+,M4,L8	1	1	SNA
23	6002-000536	SCREW-TAPPING	PH+,M4,L10	2	2	SNA
25	DB61-00206B	HOLDER-WIRE	SGCC_M,T0.5	1	1	SNA
26	6002-000231	SCREW-TAPPING	PH+,M4,L10	1	1	SNA
27	DB65-10088D	CABLE-TIE	NYLON66	1	1	SNA
28	DB95-01040C	ASSY NOISE ABSORBER	ASSY	1	1	SNA