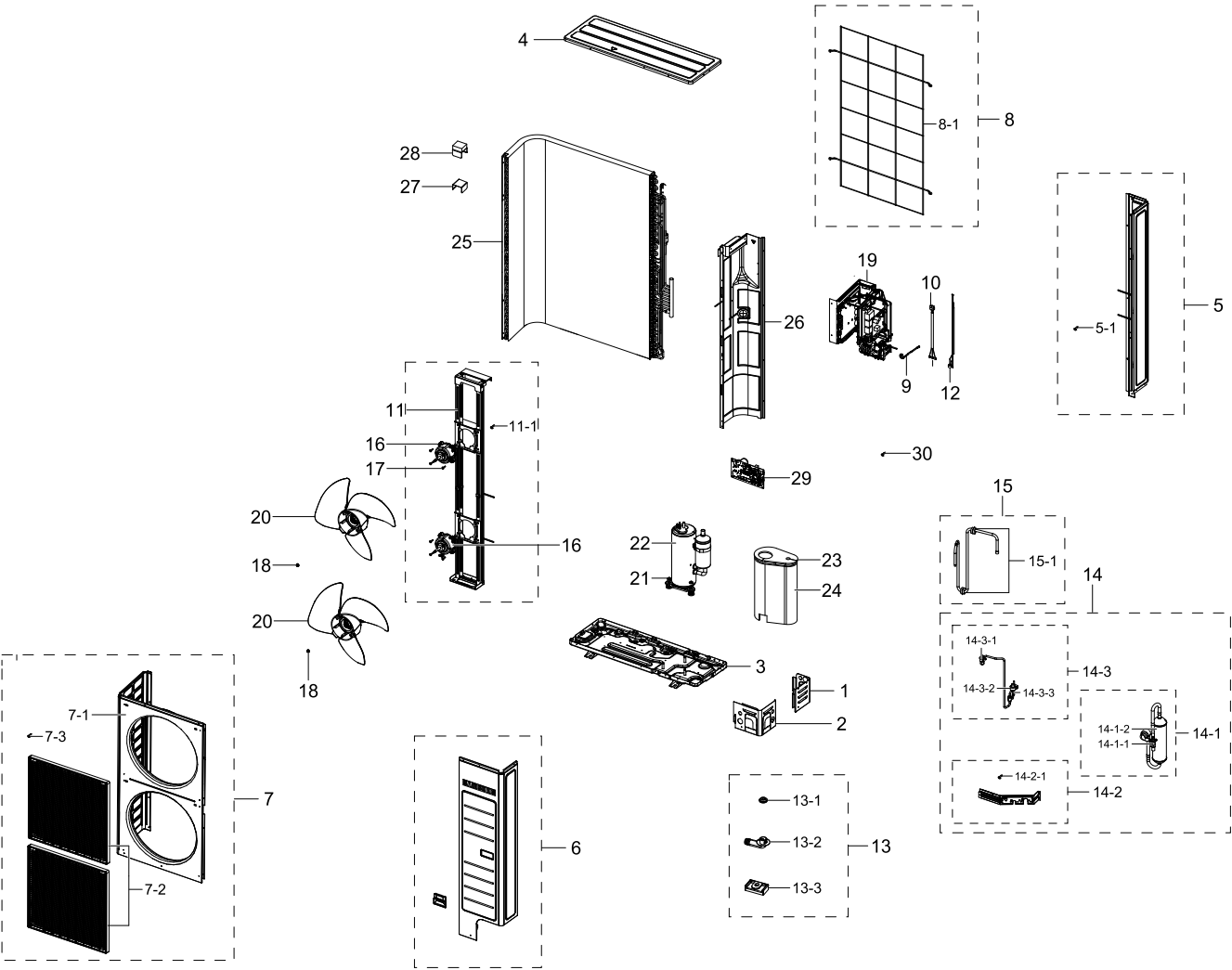


1. AC048TXADKC/VN

Exploded View



Parts List

No.	Lvl.	Loc.	Material Code	Description & Specification	SNA	Qty.
1	2		DB64-02525C	CABINET-INSTALL BACK; RC160MHXEA,EGI-SECC	SA	1
2	2		DB64-02526C	CABINET-INSTALL FRONT; RC100PHXEA,EGI-SEC	SA	1
3	2	A0092	DB90-05873B	ASSY BASE OUT; MAN-U,SEAL-ADD	SA	1
4	2	A0212	DB90-05902E	ASSY CABINET-TOP; RC090MHXEA,EHS MONO	SA	1
5	2	A2609	DB90-05876G	ASSY CABI BACK-RH; AC048KXADGC/TL,UB2	SA	1
5-1	3	S0025	6002-000481	SCREW-TAPPING; TH,+,NO,2S,M4.0,L12,NI PLT	SA	2
6	2		DB90-05877E	ASSY CABI FRONT-RIGHT; AM053FXMDCH/AA,DVM	SA	1

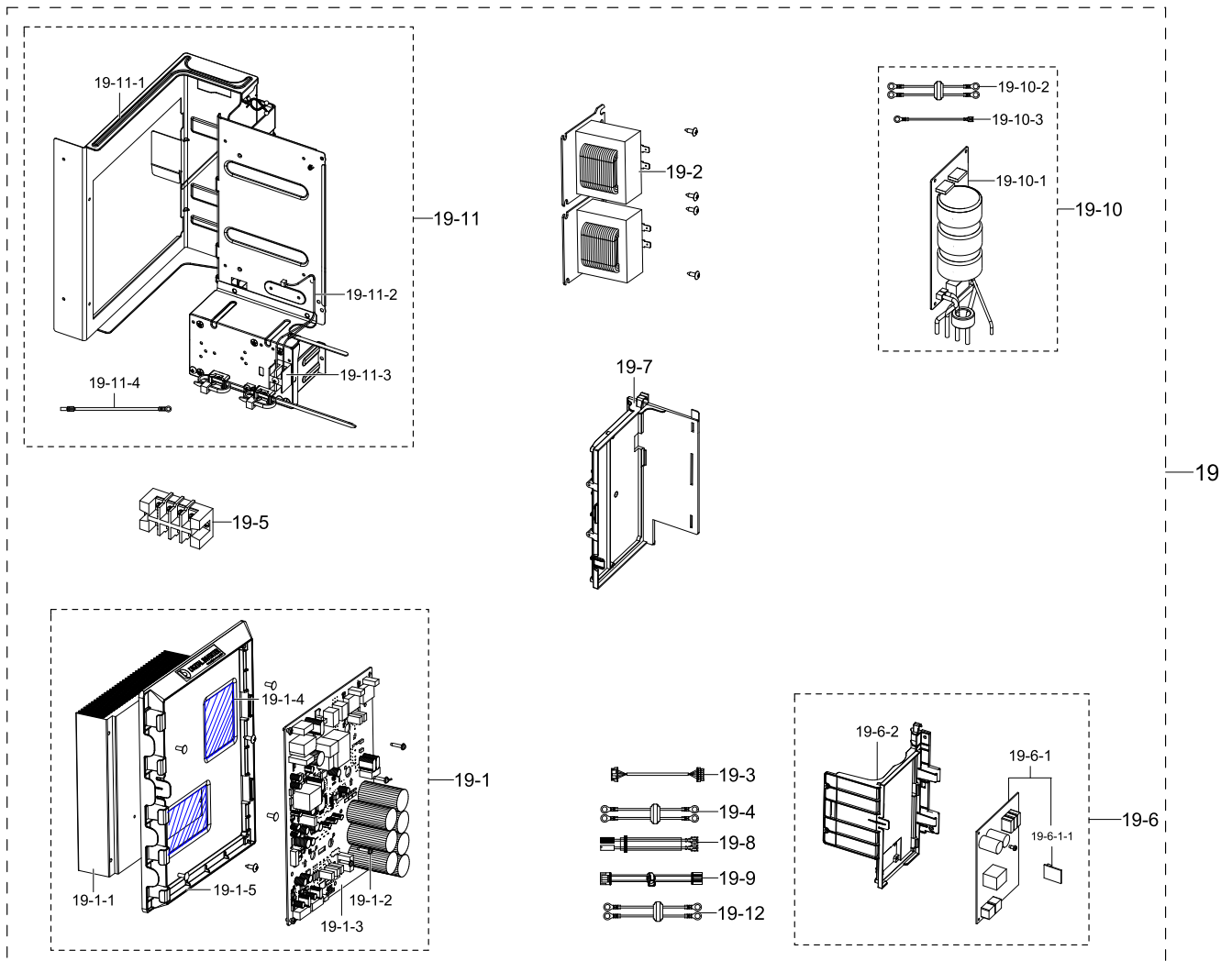
Exploded Views and Parts List

No.	Lvl.	Loc.	Material Code	Description & Specification	SNA	Qty.
7	2	A2620	DB90-05878B	ASSY CABI FRONT-LF; RC100PHXEA,ManU,EARTH	SA	1
7-1	3		DB64-02522B	CABINET FRONT-LF; RC100PHXEA,EGI-SECC,T0.	SA	1
7-2	3		DB63-02696B	GUARD-FAN; RC100PHXEA,PP+TD20%,EARTH BROW	SA	2
7-3	3	S0025	6002-000481	SCREW-TAPPING; TH,+,NO,2S,M4.0,L12,NI PLT	SA	8
8	2		DB90-08318D	ASSY GUARD-COND; UB2 for CAC	SNA	1
8-1	3		DB63-02706D	GUARD COND; RC100ZHXE,MSWR-SWRM,EARTH BR	SA	1
9	2	S0242	DB81-00635A	SPRING ETC-SENSOR; DVM-SYSTEM,STS304,R2.5	SA	2
10	2	A0630	DB93-08235G	ASSY CONNECTOR WIRE-COMP; 3,3343,12,RED,H	SA	1
11	2	A2803	DB90-05875B	ASSY BRACKET MOTOR; RC100PHXEA,R410A	SA	1
11-1	3	S0025	6002-000481	SCREW-TAPPING; TH,+,NO,2S,M4.0,L12,NI PLT	SA	14
12	2		DB32-00199A	SENSOR TEMP; CAC NASA SAUDI,0 ~ 160	SA	1
13	2		DB98-35035A	ASSY PACKING ACCESSORY; AM040HXMFGH/ID,DV	SNA	1
13-1	3	Z0165	DB63-10355C	SEAL DRAIN; -,CHLOROPRENE RUBBER,-,T2,W24	SA	3
13-2	3	D0116	DB67-00806A	DRAIN-PLUG OUT; UH140GAV,PE,-,-,-,NATUR	SA	1
13-3	3	Z0166	DB73-20134A	RUBBER-LEG; V2-MD,NBR,10,BLACK	SA	4
14	2		DB96-16643D	ASSY VALVE; CO,AC036TXQLCC/SU,CAC_T3_36K_	SNA	1
14-1	3	A0045	DB96-16646B	ASSY TUBE SUCTION; AC048KXADGC/TL	SA	1
14-1-1	4	Z0161	DB62-09658A	VALVE SERVICE-SPINDLE; BRASS,5/8",R410A,	SA	1
14-1-2	4	A0316	DB96-14716A	ASSY-ACCUMULATOR; RC100PHXEA,1600CC	SA	1
14-2	3		DB90-05874C	ASSY BRACKET-VALVE; RC100DHXEA,T1.2, UB	SA	1
14-2-1	4	S0025	6002-000481	SCREW-TAPPING; TH,+,NO,2S,M4.0,L12,NI PLT	SA	1
14-3	3		DB96-14510D	ASSY TUBE EEV; AC100RX4PBH3,CAC_H/P_UB2	SA	1
14-3-1	4	Z0163	DB62-09654A	VALVE SERVICE-SPINDLE; BRASS,FLARE,k type	SA	1
14-3-2	4		DB62-11421D	VALVE COIL EXPAN; DC12V,COIL,1000mm,MOLDI	SA	1
14-3-3	4		DB62-12109B	VALVE EXPAN; STS304,T-type,2.4mm,500,7.94	SNA	1
15	2	A2757	DB96-16644B	ASSY TUBE DISCHARGE; AC048KXADGC/TL	SA	1
15-1	3		DB67-70011C	WEIGHT-RUBBER; NR,T22,W32,BLACK	SA	1

No.	Lvl.	Loc.	Material Code	Description & Specification	SNA	Qty.
16	2	M0039	DB31-00579A	MOTOR FAN; 125W,DC310V,CLASS E	SA	2
17	2	S0019	DB60-00150A	SCREW-SPECIAL; HWH,M4,L26,ZPC(WHT),SWRCH1	SA	8
18	2		DB60-00405A	FASTENER-WASHER; RC100ZHxEA,SWRCH10A,M8	SA	2
19	2		DB92-04633A	ASSY KIT; OUTDOOR,Korea_Efficient,CAC_PF#	SNA	1
20	2		DB94-06687A	ASSY FAN PROPELLER; AC071MXADKH/EU,ASSY	SA	2
21	2	S0018	DB60-30028A	NUT-FLANGE; HWH,M8,ZPC(WHT),SWRCH18A,P1.2	SA	3
22	2		UG5TK1450FJXSG	RCP,RCP,F,R410A; RCP,RCP,F,R410A		1
23	2		DB63-03166A	CLOTH-COMP TOP; AC100RX4PBH3,CLOTH/EVA/FE	SA	1
24	2		DB63-03825A	CLOTH COMP-SIDE; AC036KXQPCC/MG,EVAR/FELT	SA	1
25	2	A0590	DB96-14661A	ASSY COND OUT; RC100PHxEA,INV	SA	1
26	2	A1748	DB94-02697F	ASSY PARTITION; AC048KXADGC/TL,UB2	SA	1
27	2		DB61-00533A	HOLDER-CLAMP COND; RVXMHF050GA,GI-SGCC,T0	SNA	1
28	2		DB90-02316E	ASSY HOLDER-PLATE COND; RC100PHxEA	SNA	2
29	1		DB82-05697A	A/S ASSY-EEPROM OUT; AC140TXADKC,C/O UNIV	SA	1
30	2	S0025	6002-000481	SCREW-TAPPING; TH,+,NO,2S,M4.0,L12,NI PLT	SA	14

2. Assy Kit

Exploded View



Parts List

No.	Lvl.	Loc.	Material Code	Description & Specification	SNA	Qty.
19	2		DB92-04633A	ASSY KIT; OUTDOOR,Korea_Efficient,CAC_PF#	SNA	1
19-1	3		DB92-04539A	ASSY KIT; PF#5,E1-PJT,INV Platform,Standa	SNA	1
19-1-1	4	H0034	DB62-12094A	HEAT SINK; NEW PLATFORM #5,AI,10,200,192,	SA	1
19-1-2	4	A2876	DB91-00307A	ASSY-SCREW MACHINE; WW-INV,M4*16,WSP,PH,+	SA	4
19-1-3	4		DB92-04536A	ASSY PCB INVERTER; INVERTER,E1-PJT,242X19	SA	1
19-1-4	4		0205-000178	GREASE-SILICON; YG6111,WHITE, for assembl	SA	0.007
19-1-5	4		DB61-06473A	CASE PCB; AC145JX4PHH1,ABS,L269.4,NATURAL	SA	1
19-2	3		DB27-00118A	COIL HARMONIC; 2mH,20A,TAB Type	SA	2

No.	Lvl.	Loc.	Material Code	Description & Specification	SNA	Qty.
19-3	3	A2934	DB93-04273B	ASSY CONNECTOR WIRE-COMM; 6,2095,26,BLU,S	SA	1
19-4	3	A0664	DB93-13687A	ASSY CONNECTOR WIRE-POWER; 2,1015,12,BRN,	SA	1
19-5	3		DB37-00034A	TERMINAL BLOCK; DFT 40A-4P-M,MELAMINE,600	SA	1
19-6	3		DB92-04654A	ASSY KIT; OUTDOOR,CAC R32,CAC_UB MAIN SUB	SNA	1
19-6-1	4	A0743	DB92-03310F	ASSY PCB MAIN-OUT; MAIN,CAC R32,192*120,2	SA	1
19-6-1-1	5		DB93-12483A	ASSY PCB SUB-EEPROM; SUB,DVMPPLUS4 UP,20*2	SA	1
19-6-2	4		DB61-05743A	CASE-PCB; AM053FXMDCH/AA,HIPS,T2,L243.3,N	SA	1
19-7	3		DB61-04502D	CASE-EMI; RC090MHXEA,HIPS,L0,NATURAL,VE-1	SA	1
19-8	3	A2610	DB93-15686A	ASSY CONNECTOR WIRE-REACTOR; 2,3343,12,BL	SA	2
19-9	3	Z0154	DB93-10809A	ASSY CONNECTOR WIRE-EMI TO MAIN POWER; 2	SA	1
19-10	3		DB92-04635A	ASSY KIT; EMI PBA,POWER WIRE,Korea_Effici	SA	1
19-10-1	4	A1781	DB93-13593A	ASSY PCB SUB-EMI; SUB,CAC-07,230*90,-,-,-	SA	1
19-10-2	4	A0664	DB93-13687B	ASSY CONNECTOR WIRE-POWER; 2,1015,12,BRN,	SA	1
19-10-3	4	A0646	DB93-13692A	ASSY CONNECTOR WIRE-EARTH; 1,1015,16,YEL/	SA	1
19-11	3	A3096	DB93-10966Q	ASSY CONTROL OUT; HP,Inv,14.0kW,AC090JX4P	SNA	1
19-11-1	4		DB90-05889C	ASSY CASE CONTROL; AC090JX4PBH1,ManU	SA	1
19-11-2	4	A2934	DB93-10808J	ASSY CONNECTOR WIRE-COMM; 2,1015,22,RED,Y	SA	1
19-11-3	4	T0179	DB65-00274A	TERMINAL BLOCK; TERMINAL BLOCK,Polycarbon	SA	1
19-11-4	4	A0646	DB93-08805B	ASSY CONNECTOR WIRE-EARTH; 1,1015,18,YEL/	SA	1
19-12	3	A0664	DB93-13687B	ASSY CONNECTOR WIRE-POWER; 2,1015,12,BRN,	SA	1