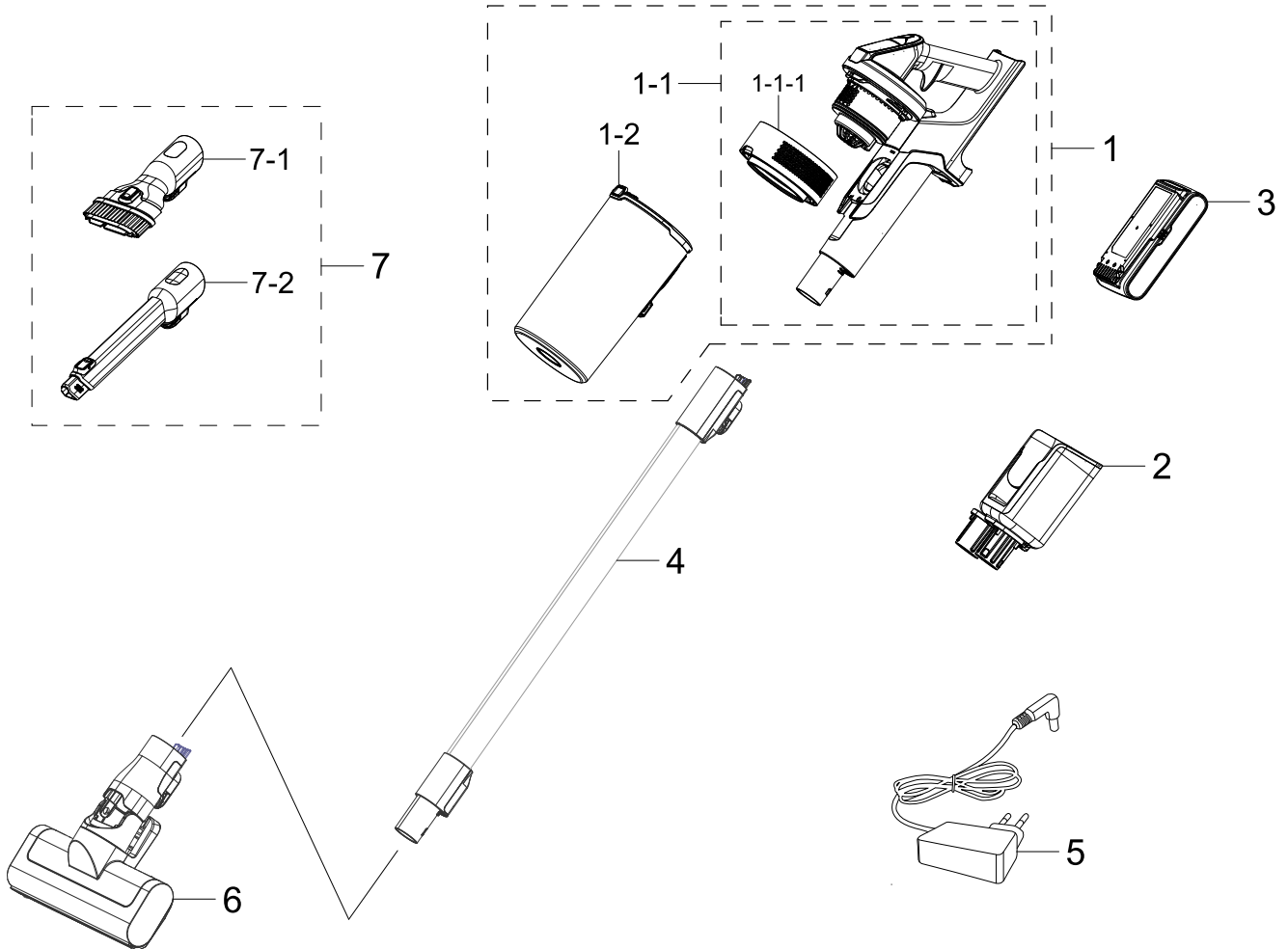


1. VS15A60AGR5/WA 0001

VS15A60AGR5/WA 0001

Exploded View



Parts List

No.	Lvl.	Loc.	Material Code	Description & Specification	SNA	Qty.
1	1		DJ97-03326A	ASSY HANDY; VS6700A,ASSY HANDY,TEAL SILVE	SA	1
1-1	2	RB001	DJ97-03327A	ASSY BODY; VS6700A,BLK CHROMETAL SOLID,HE	SNA	1
1-1-1	3	RB037	DJ97-02641A	ASSY GRILLE BACK; VS9000RL,SILVER,PTFE931	SA	1
1-2	2		DJ97-02835T	ASSY CYCLONE; VS6700A,BLACK CHROMETAL SOL	SA	1
2	2	RA014	DJ96-00231H	ASSY CHARGER; VS7500B,BLACK CHROMETAL SOL	SA	1
3	2		DJ96-00227E	ASSY BATTERY LI IB; Li-ion,21.6V,1800mAh,	SA	1
4	2		DJ97-03120A	ASSY PIPE; VS6700,AL,EXP,SILVER,SANDING	SA	1

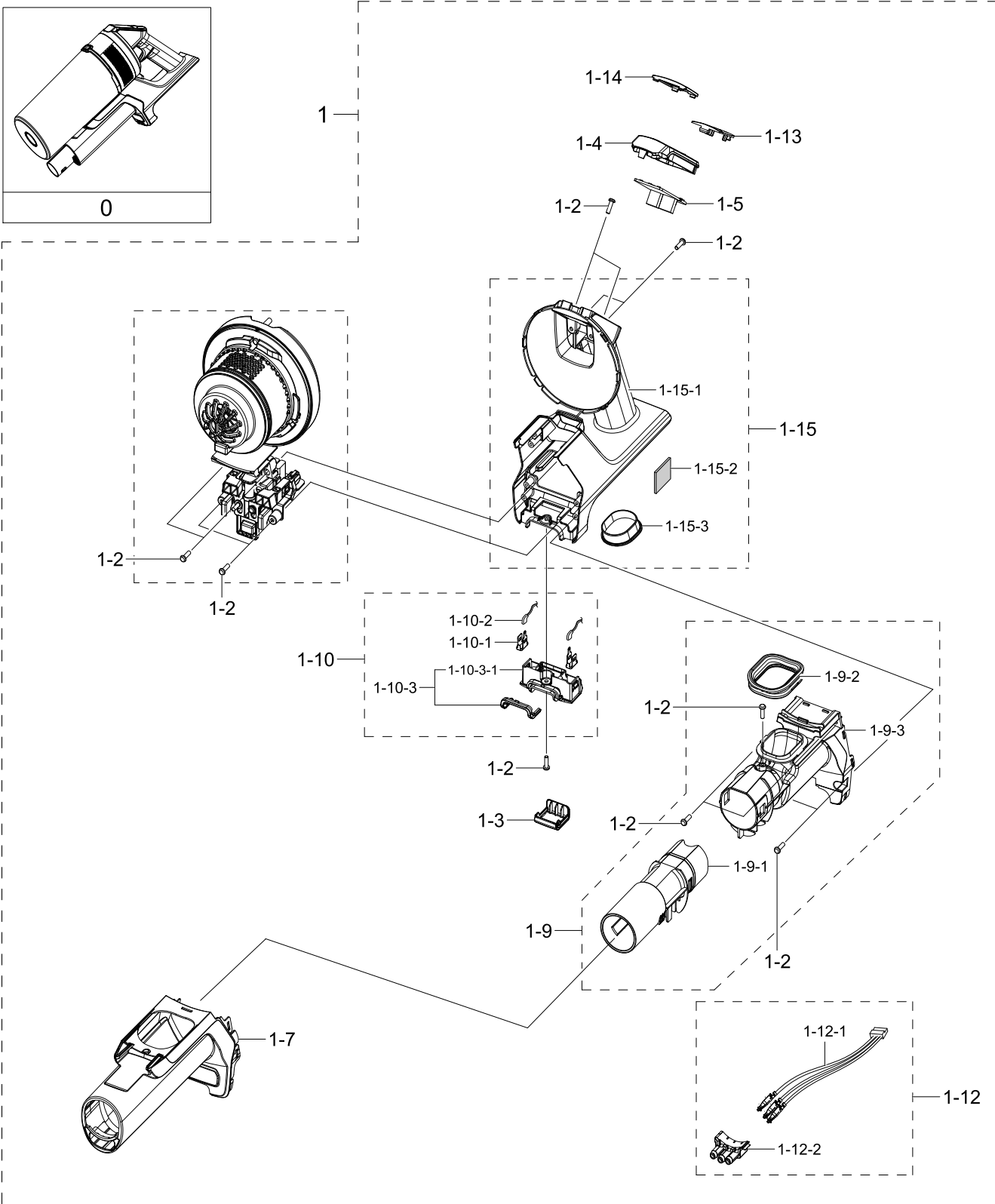
Exploded Views and Parts List

No.	Lvl.	Loc.	Material Code	Description & Specification	SNA	Qty.
5	2		DJ44-00007C	ADAPTOR; DC25.85V,1.2A,AC100-240V,30W,0to	SA	1
6	2		DJ97-03121A	ASSY BRUSH; VS6700,CARPET BRUSH,COTTA BLA	SNA	1
7	2		DJ98-01221H	ASSY ACCESSORY; VS9500AL,Collective Packi	SNA	1
7-1	3	RA002	DJ98-01129H	ASSY ACCESSORY DUSTING; VS9500AL,DUSTING,	SA	1
7-2	3	RA001	DJ98-01130H	ASSY ACCESSORY CREVICE; VS9500AL,CREVICE,	SA	1

2. Assy Handle

Assy Handle

Exploded View



Parts List

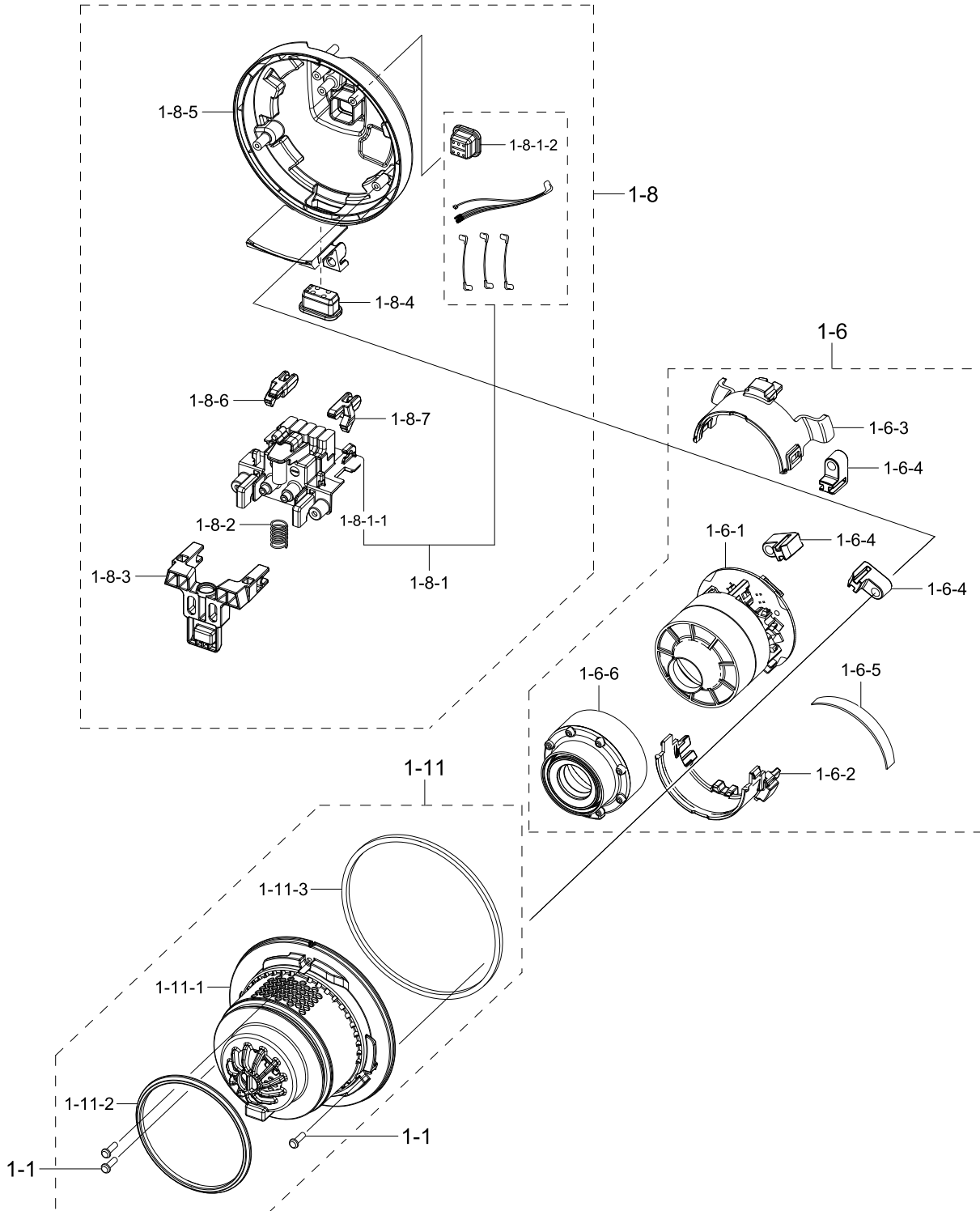
No.	Lvl.	Loc.	Material Code	Description & Specification	SNA	Qty.
0	1		DJ97-03326A	ASSY HANDY; VS6700A,ASSY HANDY,TEAL SILVE	SA	1
1	2	RB001	DJ97-03327A	ASSY BODY; VS6700A,BLK CHROMETAL SOLID,HE	SNA	1
1-2	3	RV005	6003-000159	SCREW-TAPTYPE; PH,+,B,M3,L10,ZPC(BLK),SWR	SA	14
1-3	3		DJ64-01350E	BUTTON PUSH; VS6700,PC,V-2,BLACK CHROMETA	SNA	1
1-4	3	RB042	DJ97-02680C	ASSY PANEL CONTROL; VS6700A/VS7500B,BLACK	SA	1
1-5	3		DJ92-00217A	ASSY PBA MODULE; ON/OFF CONTROL,VS6700AL,	SA	1
1-7	3		DJ61-03070D	FRAME FRONT; VS6700A/VS7500B,ABS,BLACK CH	SA	1
1-9	3	RB033	DJ97-02643A	ASSY DUCT INLET; VS9000RL	SA	1
1-9-1	4		DJ62-00459A	PIPE CONNECTOR; VS9000RL,PC,ID30,OD33.8,G	SNA	1
1-9-2	4		DJ63-01653A	GASKET DUCT; VS9000NL,TPV,TPV-45VSH-45A,T	SA	1
1-9-3	4		DJ67-00832A	DUCT INLET; VS9000NL,PC+ABS,-,-,HI-1050,E	SNA	1
1-10	3		DJ97-02644F	ASSY HOLDER; VS7500B,BLACK CHROMETAL SOLI	SA	1
1-10-1	4		DJ37-00016A	TERMINAL; T0.5	SNA	2
1-10-2	4		DJ39-00284A	WIRE HARNESS-TERMINAL; 1P,CHARGER,UL3398,	SNA	2
1-10-3	4		DJ63-01654E	CUSHION ETC; VS7500B,TPE,-,W31.4,L9.5,OR3	SNA	1
1-10-3-1	5		DJ61-02558E	HOLDER ETC; VS7500B,PC,-,L25.3,BLACK CHRO	SNA	1
1-12	3		DJ97-02671A	ASSY HOLDER; VS9000RL,PIPE-HANDY	SA	1
1-12-1	4		DJ39-00293A	WIRE HARNESS-TERMINAL; 3P,Pipe,UL3398,#22	SNA	1
1-12-2	4		DJ61-02555A	HOLDER TERMINAL; VS9000RL,PC,L25.5,EBONY	SA	1
1-13	3		DJ64-01481A	BUTTON CONTROL; VS9000RL,ABS,-,EBONY BLAC	SNA	1
1-14	3		DJ64-01482A	WINDOW DISPLAY; VS9000RL,ABS,-,HG-0760GP,	SNA	1
1-15	3	RB034	DJ97-02794D	ASSY FRAME; VS6700,COTTA BLACK	SA	1
1-15-1	4		DJ61-02617D	FRAME; VS6700,PC,COTTA BLACK,W,ES3020N	SA	1

No.	Lvl.	Loc.	Material Code	Description & Specification	SNA	Qty.
1-15-2	4		DJ63-01680A	FILTER SAFETY; VS9000RL,T5,W30,L40,EBONY	SA	1
1-15-3	4		DJ67-00831D	CAP ETC; VS6700,PC+ABS,HB,HI-1050,COTTA B	SNA	1

3. Assy Handy_Assy Motor Parts

Assy Handy_Assy Motor Parts

Exploded View



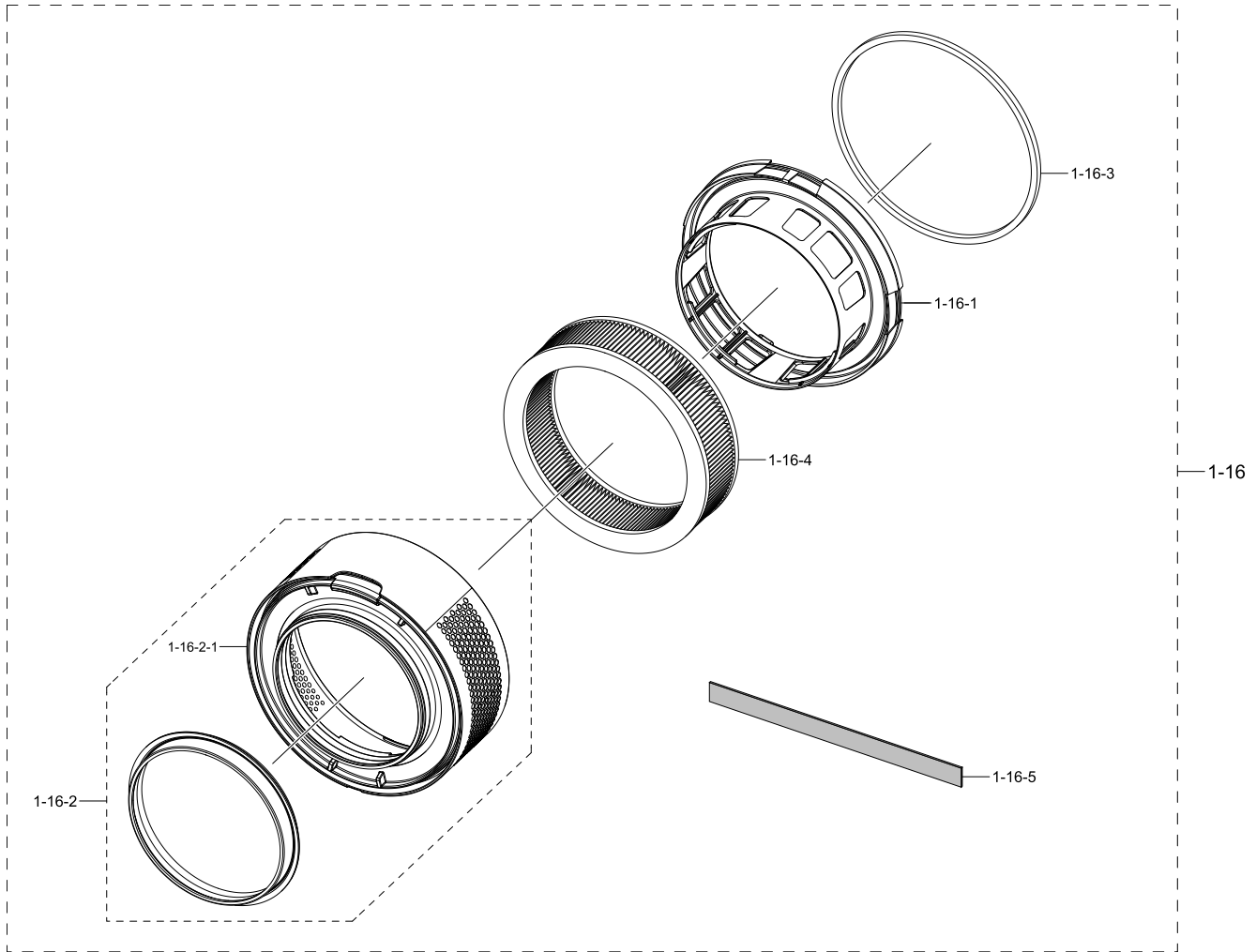
Parts List

No.	Lvl.	Loc.	Material Code	Description & Specification	SNA	Qty.
1-1	3	RV005	6002-000325	SCREW-TAPPING; PH,+,-,2,M3,L20,ZPC(WHT),S	SNA	3
1-6	3		DJ94-00892C	ASSY MOTOR PARTS; VS7000TL,WELLING,400CLW	SNA	1
1-6-1	4		DJ31-00181A	MOTOR BLDC FAN; ZSDP-322-2-1,120krpm,21.6	SA	1
1-6-2	4		DJ61-02833A	HOLDER MOTOR; VS7000TL,PP+TD30%,L39.9,BLA	SA	1
1-6-3	4		DJ61-02834A	HOLDER MOTOR; VS7000TL,PP+TD30%,L39.9,BLA	SA	1
1-6-4	4		DJ63-01683A	CUSHION ETC; VS9000RL,NBR,W9.2,L16,EBONY	SA	3
1-6-5	4		DJ63-01686A	GASKET ETC; VS9000RL,EPDM FOAM,-,T1,W15,L	SA	1
1-6-6	4		DJ63-01790A	CUSHION MOTOR; VS7000TL,NBR,T2,W56,L17.2,	SA	1
1-8	3		DJ97-02642L	ASSY HOLDER TERMINAL; VS6700A,BLACK CHROM	SNA	1
1-8-1	4	RJ189	DJ39-00346A	WIRE HARNESS-STICK; 5P,VS6700_HANDY,UL339	SA	1
1-8-1-1	5		DJ61-02567A	HOLDER TERMINAL; VS9000NL,PK+GF5%,L52,BLA	SNA	1
1-8-1-2	5		DJ63-01732B	GASKET WIRE; VS6700,TPV,TPV-45VSH-65A,BLA	SNA	1
1-8-2	4	RP302	DJ61-01350A	SPRING ETC-BUTTON; SU9380,HSWR,COD0.6,ID6	SA	1
1-8-3	4		DJ61-02557A	GUIDE LINK; VS9000NL,ABS,L32.5,HB,GP-35,N	SNA	1
1-8-4	4		DJ63-01647A	GASKET WIRE; VS9000NL,NBR,T2.5,BATTERY	SNA	1
1-8-5	4		DJ97-02681C	ASSY COVER; VS6700A/VS7500B,BLACK CHROMET	SA	1
1-8-6	4		DJ66-00824A	LEVER RELEASE; VS9000NL,ABS,-,HG-0760GP,E	SNA	1
1-8-7	4		DJ66-00825A	LEVER RELEASE; VS9000NL,ABS,-,HG-0760GP,E	SNA	1
1-11	3	RJ004	DJ97-02670A	ASSY CASE MOTOR F; VS9000RL,BLACK	SA	1
1-11-1	4	RJ031	DJ63-01656A	COVER MOTOR; VS9000NL,ABS,NEUTRAL GRAY,HG	SNA	1
1-11-2	4		DJ63-01657A	GASKET GRILLE; VS9000NL,TPV,TPV-45VSH-45A	SNA	1
1-11-3	4		DJ63-01674A	GASKET ETC; VS9000RL,EVA FOAM,-,T3,W3,L15	SNA	1

4. Assy Grille Back

Assy Grille Back

Exploded View



Parts List

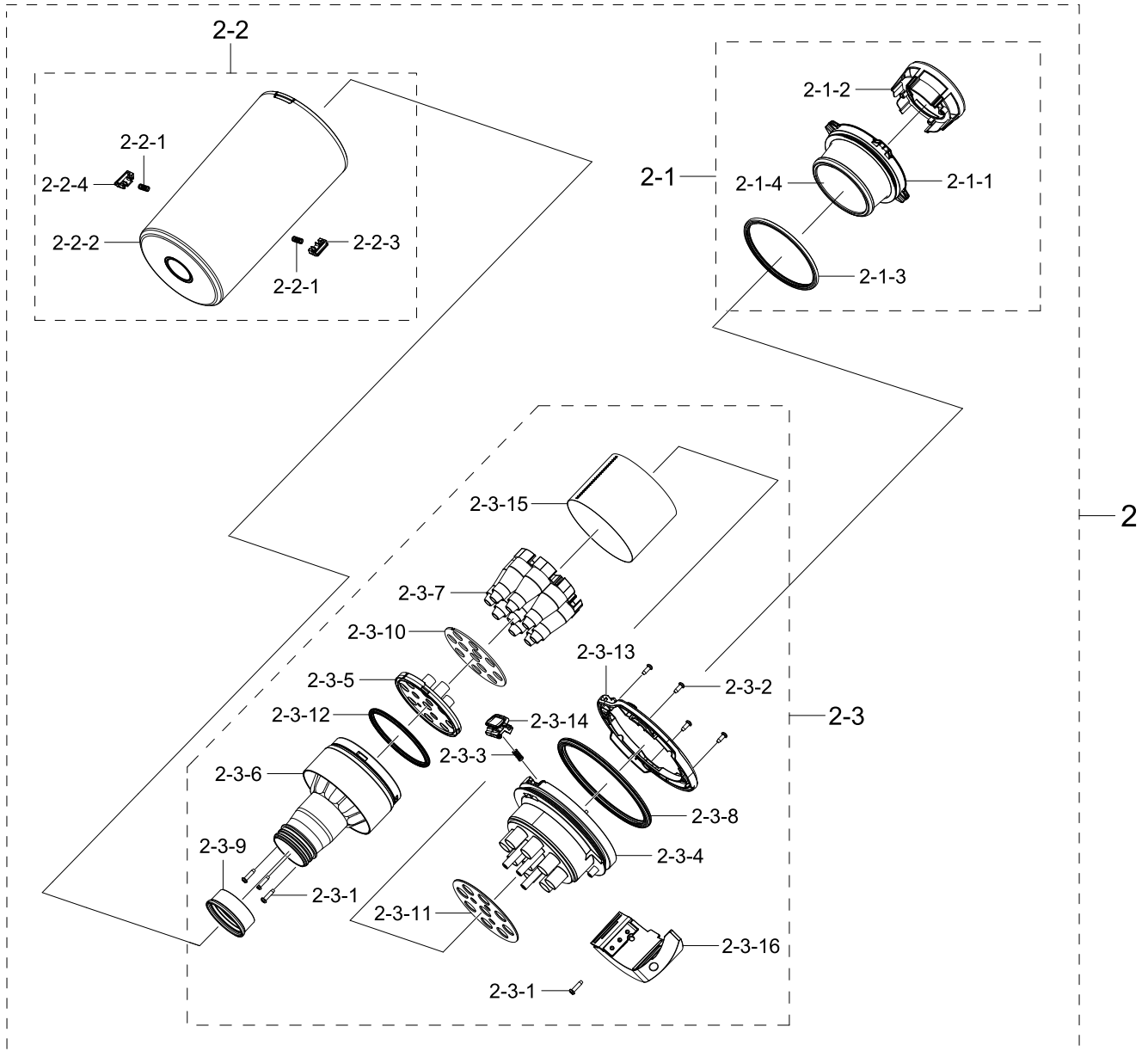
No.	Lvl.	Loc.	Material Code	Description & Specification	SNA	Qty.
1-16	3	RB037	DJ97-02641A	ASSY GRILLE BACK; VS9000RL,SILVER,PTFE931	SA	1
1-16-1	4		DJ61-02559A	HOLDER GRILLE; VS9000NL,PC+ABS,L108,EBONY	SNA	1
1-16-2	4		DJ63-01658A	GASKET GRILLE; VS9000NL,TPE,OR3000PC,BLAC	SNA	1
1-16-2-1	5		DJ64-01355A	GRILLE FILTER; VS9000NL,ABS,-,-,NEUTRAL G	SNA	1
1-16-3	4		DJ63-01674A	GASKET ETC; VS9000RL,EVA FOAM,-,T3,W3,L15	SNA	1

No.	Lvl.	Loc.	Material Code	Description & Specification	SNA	Qty.
1-16-4	4		DJ63-01675A	FILTER OUTLET; VS9000RL,T9,W26.5,PTFE9314	SNA	1
1-16-5	4		DJ63-01681A	ABSORBER ETC; VS9000RL,PET,T1.2	SNA	1

5. Assy Handy_Assy Cyclone

Assy Handy_Assy Cyclone

Exploded View



Parts List

No.	Lvl.	Loc.	Material Code	Description & Specification	SNA	Qty.
2	2		DJ97-02835T	ASSY CYCLONE; VS6700A,BLACK CHROMETAL SOL	SA	1
2-1	3		DJ97-02649C	ASSY FILTER; VS6700,MICRO,AZURE BLUE,FILT	SA	1
2-1-1	4		DJ61-02590B	HOLDER FILTER; VS6700,ABS,L,AZURE BLUE,HB	SNA	1
2-1-2	4		DJ61-02591B	SUPPORT FILTER; VS6700,ABS,HB,HG-0760GP,A	SNA	1
2-1-3	4		DJ63-01671A	GASKET HOLDER; VS9000NL,TPV,TPV-45VSH-65A	SNA	1
2-1-4	4		DJ63-01678B	FILTER CYCLONE; VS9000RL,SOFT SKY BLUE,FI	SNA	1
2-2	3	RL005	DJ97-02829A	ASSY CASE; VS7000TL,GRAY TRP,No,0.8L	SA	1
2-2-1	4		DJ61-02594A	SPRING ETC COIL; VS9000RL,STS304,0.4mm,ID	SNA	2
2-2-2	4		DJ61-02753A	CASE CYCLONE; VS9000-Renewal,PC,T1.4,GRAY	SNA	1
2-2-3	4		DJ64-01362A	BUTTON CYCLONE-LEFT; VS9000RL,ABS,DARK CH	SNA	1
2-2-4	4		DJ64-01363A	BUTTON CYCLONE-RIGHT; VS9000RL,ABS,DARK C	SNA	1
2-3	3		DJ97-02837G	ASSY CYCLONE GRILLE; VS6700A,BLACK CHROME	SA	1
2-3-1	4	RV005	6002-000462	SCREW-TAPPING; PH,+,2,M3,L10,ZPC(WHT),SWR	SNA	4
2-3-2	4	RV005	6002-001262	SCREW-TAPTYPE; PH,+,B,M3,L8,PASS,STS304	SNA	4
2-3-3	4		DJ61-02593A	SPRING ETC COIL; VS9000RL,STS304,0.6mm,ID	SA	1
2-3-4	4		DJ61-02761A	CASE CYCLONE-UP; VS9000RL,ABS,T1.4,BLACK,	SNA	1
2-3-5	4		DJ61-02762A	CASE CYCLONE-MIDDLE; VS9000RL,ABS,T1.2,BL	SNA	1
2-3-6	4		DJ61-02764A	CASE CYCLONE-LOW; VS9000RL,ABS,T1.4,BLACK	SNA	1
2-3-7	4		DJ61-02765A	CASE CYCLONE-IN; VS9000RL,ABS,T1.2,BLACK,	SNA	1
2-3-8	4		DJ63-01668A	GASKET CYCLONE-UP; VS9000RL,PVC,LF-G31,T1	SNA	1
2-3-9	4		DJ63-01670A	GASKET CYCLONE; VS9000RL,TPV,TPV-45VSH-65	SNA	1
2-3-10	4		DJ63-01761A	GASKET CYCLONE-IN; VS9000RL,EVA FOAM,T1.5	SNA	1
2-3-11	4		DJ63-01762A	GASKET CYCLONE-MIDDLE; VS9000RL,EVA FOAM,	SNA	1

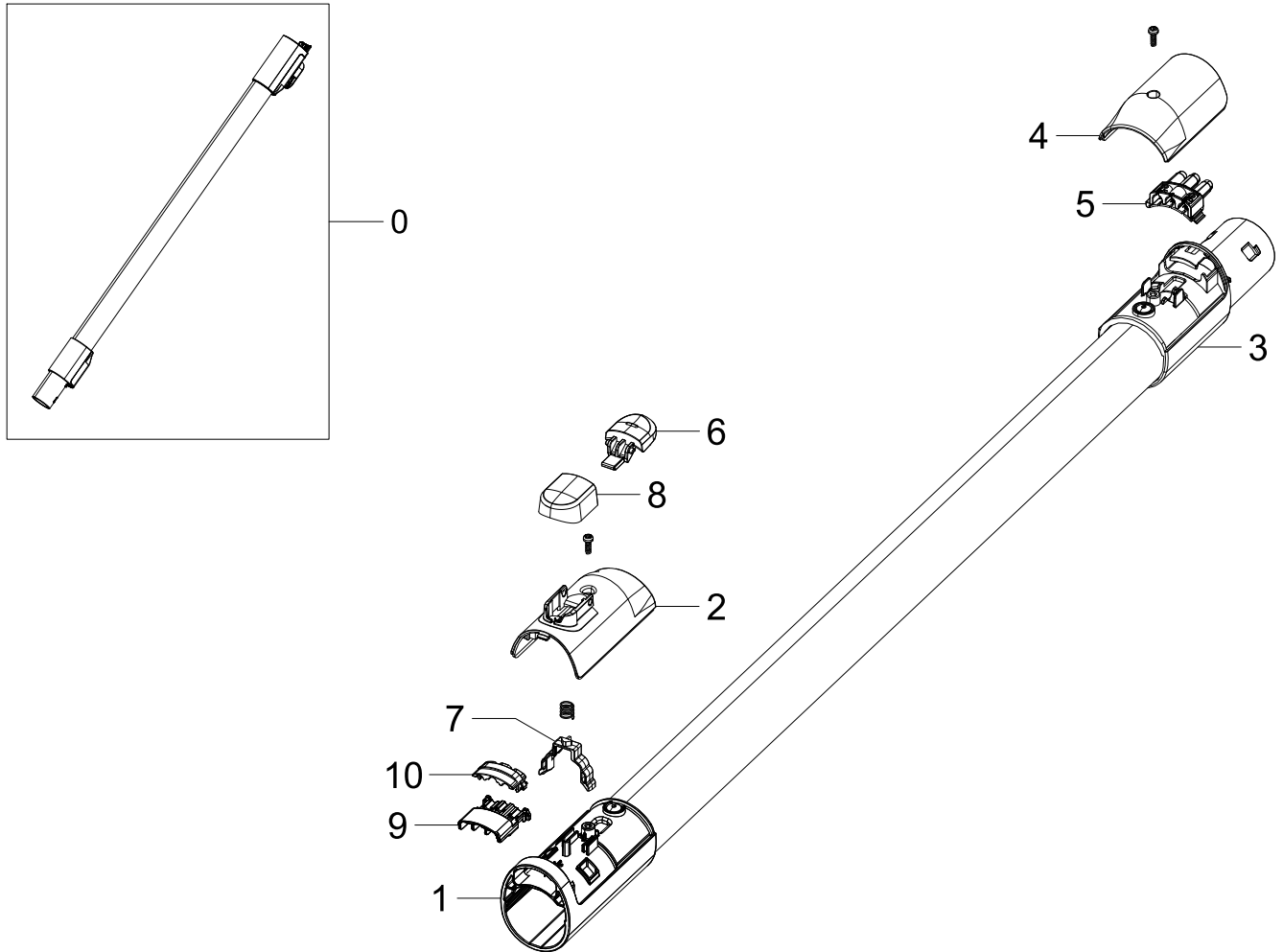
Exploded Views and Parts List

No.	Lvl.	Loc.	Material Code	Description & Specification	SNA	Qty.
2-3-12	4		DJ63-01763A	GASKET ETC; VS9000RL,EVA FOAM,-,T2.5,W2.5	SNA	1
2-3-13	4		DJ64-01360K	DECORATION CYCLONE-UP; VS7500B,PC,-,BLACK	SNA	1
2-3-14	4		DJ64-01361K	BUTTON CYCLONE; VS7500B,PC,V-2,BLACK CHRO	SNA	1
2-3-15	4		DJ64-01469A	GRILLE CYCLONE; VS6700,STS304,Etching	SNA	1
2-3-16	4		DJ97-02838A	ASSY GUIDE AIR; VS9000RL,Dark ChroMetal,C	SNA	1

6. Assy Pipe

Assy Pipe

Exploded View



Parts List

No.	Lvl.	Loc.	Material Code	Description & Specification	SNA	Qty.
0	2		DJ97-03120A	ASSY PIPE; VS6700,AL,EXP,SILVER,SANDING	SA	1
1	3		DJ61-02925A	HOLDER PIPE; VS6700,PC,L87.2,COTTA BLACK,	SNA	1
2	3		DJ63-01863A	COVER HOLDER; VS6700,PC,HB,COTTA BLACK,30	SNA	1
3	3		DJ62-00501A	PIPE CONNECTOR; VS6700,PC,COTTA BLACK,302	SNA	1
4	3		DJ67-00896A	CAP ETC; VS6700,PC,HB,3022R,COTTA BLACK,3	SNA	1
5	3		DJ61-02555A	HOLDER TERMINAL; VS9000RL,PC,L25.5,EBONY	SA	1
6	3		DJ64-01348G	KNOB PIPE; VS6700,PC,-,COTTA BLACK,-,3022	SNA	1
7	3		DJ66-00823A	LEVER RELEASE; VS9000NL,PC,-,3022R,GRAY T	SNA	1

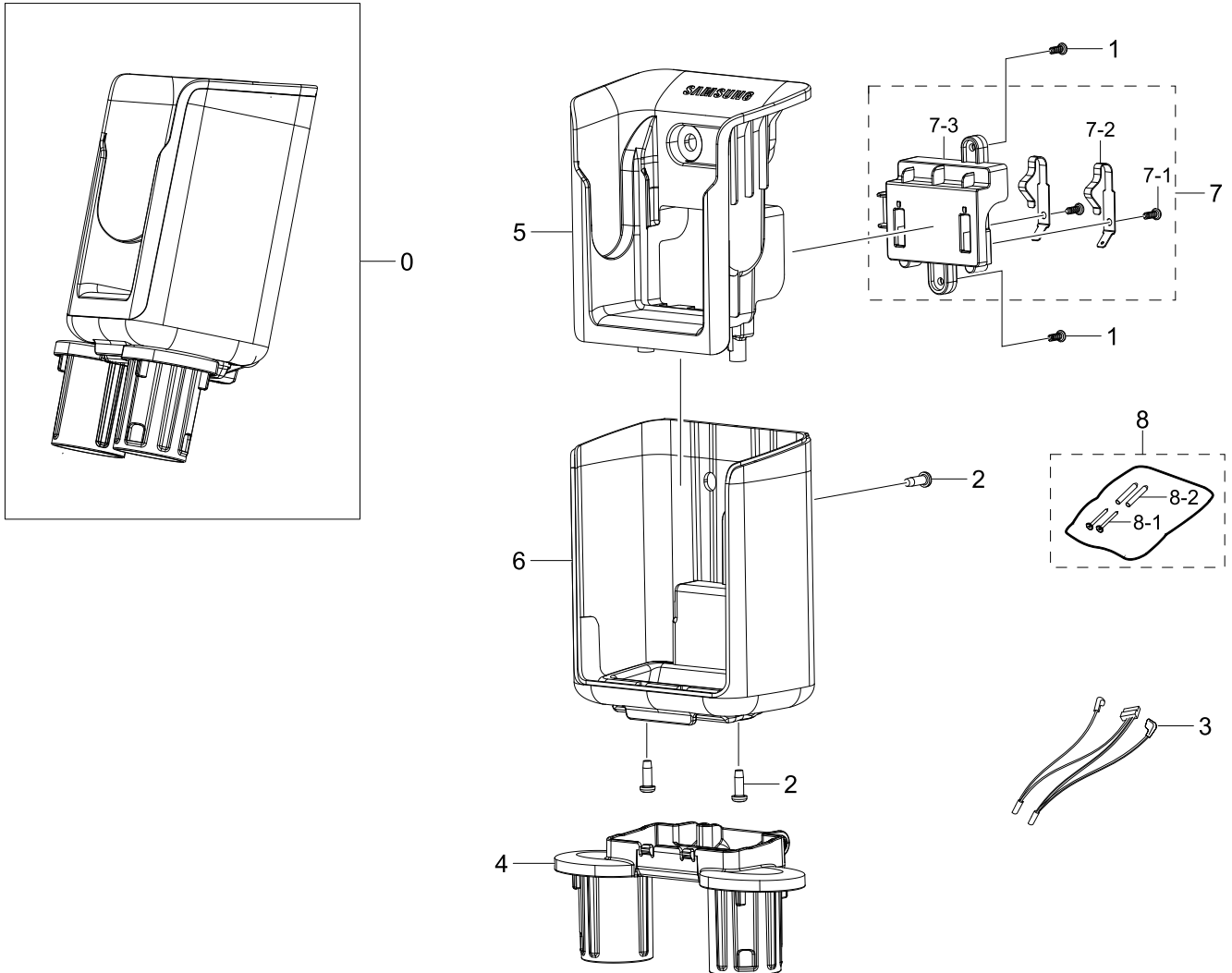
Exploded Views and Parts List

No.	Lvl.	Loc.	Material Code	Description & Specification	SNA	Qty.
8	3		DJ67-00828F	CAP KNOB; VS6700,PC,HB,3022R,COTTA BLACK,	SA	1
9	3		DJ61-02551A	HOLDER TERMINAL; VS9000NL,PC,L30,EBONY BL	SNA	1
10	3	RA051	DJ63-01651A	COVER TERMINAL; VS9000NL,PC,V-0,EBONY BLA	SNA	1

7. Assy Charger

Assy Charger

Exploded View



Parts List

No.	Lvl.	Loc.	Material Code	Description & Specification	SNA	Qty.
0	2	RA014	DJ96-00231H	ASSY CHARGER; VS7500B,BLACK CHROMETAL SOL	SA	1
1	3	RV005	6003-000167	SCREW-TAPTTYPE; PH,+B,M3,L8,ZPC(BLK),SWRC	SNA	2
2	3	RV005	6003-000170	SCREW-TAPTTYPE; PH,+B,M4,L12,ZPC(WHT),SWR	SNA	3
3	3	RJ109	DJ39-00304A	WIRE HARNESS-POWER; 2P,DC JACK(DC-005C-1.	SA	1
4	3		DJ61-02751D	HOLDER ACCESSORY; JET 85,ABS,-,L,BLACK CH	SA	1

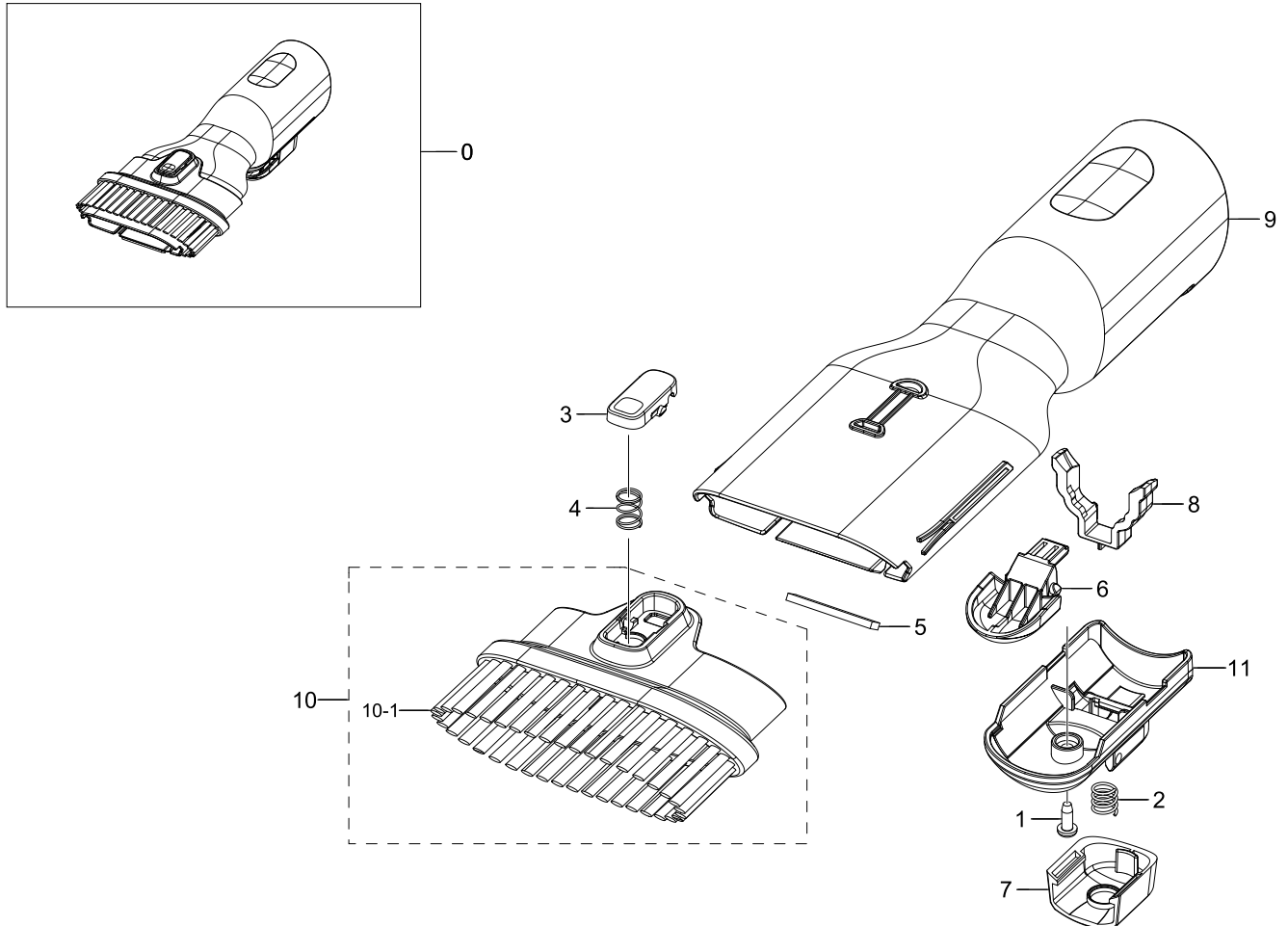
Exploded Views and Parts List

No.	Lvl.	Loc.	Material Code	Description & Specification	SNA	Qty.
5	3		DJ61-02752C	BODY CHARGER; VS7500B,ABS,T2.3,BLACK CHRO	SA	1
6	3		DJ63-01751D	COVER CHARGER; VS6700B,ABS,-,HB,BLACK CHR	SNA	1
7	3		DJ97-02824C	ASSY HOLDER TERMINAL; VS7500B,BLACK CHROM	SNA	1
7-1	4	RV005	6003-000167	SCREW-TAPTYPE; PH,+,B,M3,L8,ZPC(BLK),SWRC	SNA	2
7-2	4		DJ37-00019A	TERMINAL; VS9000RL,ASSY CHARGER HOLDER	SNA	2
7-3	4		DJ61-02750C	HOLDER TERMINAL; VS7500B,PC,T2,L56.3,BLAC	SNA	1
8	3		DJ98-01138A	ASSY ACCESSORY; VS9000RL,WALL MOUNT SCREW	SA	1
8-1	4	RV005	6002-001644	SCREW-TAPPING; BH,+,1,M5,L55,ZPC(BLK),SWR	SNA	2
8-2	4		DJ61-02601A	HOLDER LOCK; VS9000RL,PP,L40,NATURAL,HB,B	SNA	2

8. Combination Tool

Combination Tool

Exploded View



Parts List

No.	Lvl.	Loc.	Material Code	Description & Specification	SNA	Qty.
0	3	RA002	DJ98-01129H	ASSY ACCESSORY DUSTING; VS9500AL,DUSTING,	SA	1
1	4	RV005	6002-000630	SCREW-TAPPING; PH,+,2S,M3,L8,ZPC(WHT),SWR	SNA	1
2	4		DJ61-00584A	SPRING ETC-CAP; VC-MBM940,HSWR,CD0.7,OD7.	SA	1
3	4		DJ64-01333F	BUTTON PUSH; VS9500AL,PC,BLACK CHROMETAL	SNA	1
4	4		DJ61-02508A	SPRING ETC COIL; VS8000ML,HSWR,CD0.5,ID6.	SA	1
5	4		DJ60-00057A	SPACER BRUSH; VS9000RL,WOOL,L26.5,T2,W5,R	SNA	1
6	4		DJ64-01348L	KNOB PIPE; VS9500AL,PC,-,BLACK CHROMETAL	SNA	1
7	4		DJ67-00828F	CAP KNOB; VS6700,PC,HB,3022R,COTTA BLACK,	SA	1
8	4		DJ66-00823A	LEVER RELEASE; VS9000NL,PC,-,3022R,GRAY T	SNA	1

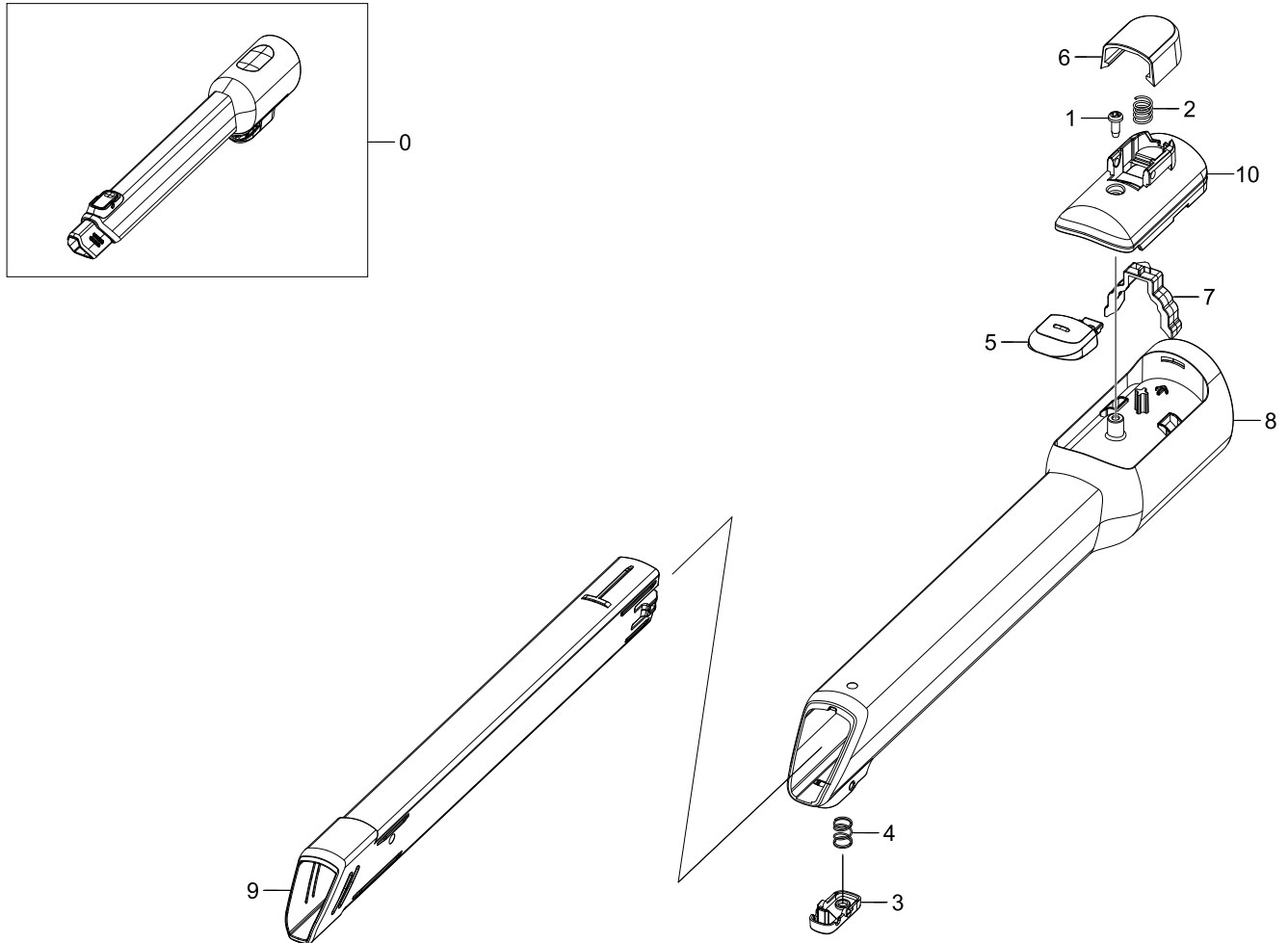
Exploded Views and Parts List

No.	Lvl.	Loc.	Material Code	Description & Specification	SNA	Qty.
9	4		DJ62-00454E	PIPE CONNECTOR; VS9500AL,ABS,ID35.1,L276,	SNA	1
10	4	RA036	DJ67-00827D	BRUSH DUSTING; VS9500AL,ABS,HG-0760GP,BLA	SNA	1
10-1	5		DJ62-00371H	NOZZLE BRUSH; VS9000RL,PA66+GF30%,T0.15,-	SNA	6
11	4		DJ63-01644E	COVER HOLDER; VS9500AL,ABS,W33.6,L64.4,HB	SA	1

9. Crevice Tool

Crevice Tool

Exploded View



Parts List

No.	Lvl.	Loc.	Material Code	Description & Specification	SNA	Qty.
0	3	RA001	DJ98-01130H	ASSY ACCESSORY CREVICE; VS9500AL,CREVICE,	SA	1
1	4	RV005	6002-000630	SCREW-TAPPING; PH,+,2S,M3,L8,ZPC(WHT),SWR	SNA	1
2	4		DJ61-00584A	SPRING ETC-CAP; VC-MBM940,HSWR,CD0.7,OD7.	SA	1
3	4		DJ64-01333F	BUTTON PUSH; VS9500AL,PC,BLACK CHROMETAL	SNA	1
4	4		DJ61-02508A	SPRING ETC COIL; VS8000ML,HSWR,CD0.5,ID6.	SA	1
5	4		DJ64-01348L	KNOB PIPE; VS9500AL,PC,-,BLACK CHROMETAL	SNA	1
6	4		DJ67-00828F	CAP KNOB; VS6700,PC,HB,3022R,COTTA BLACK,	SA	1

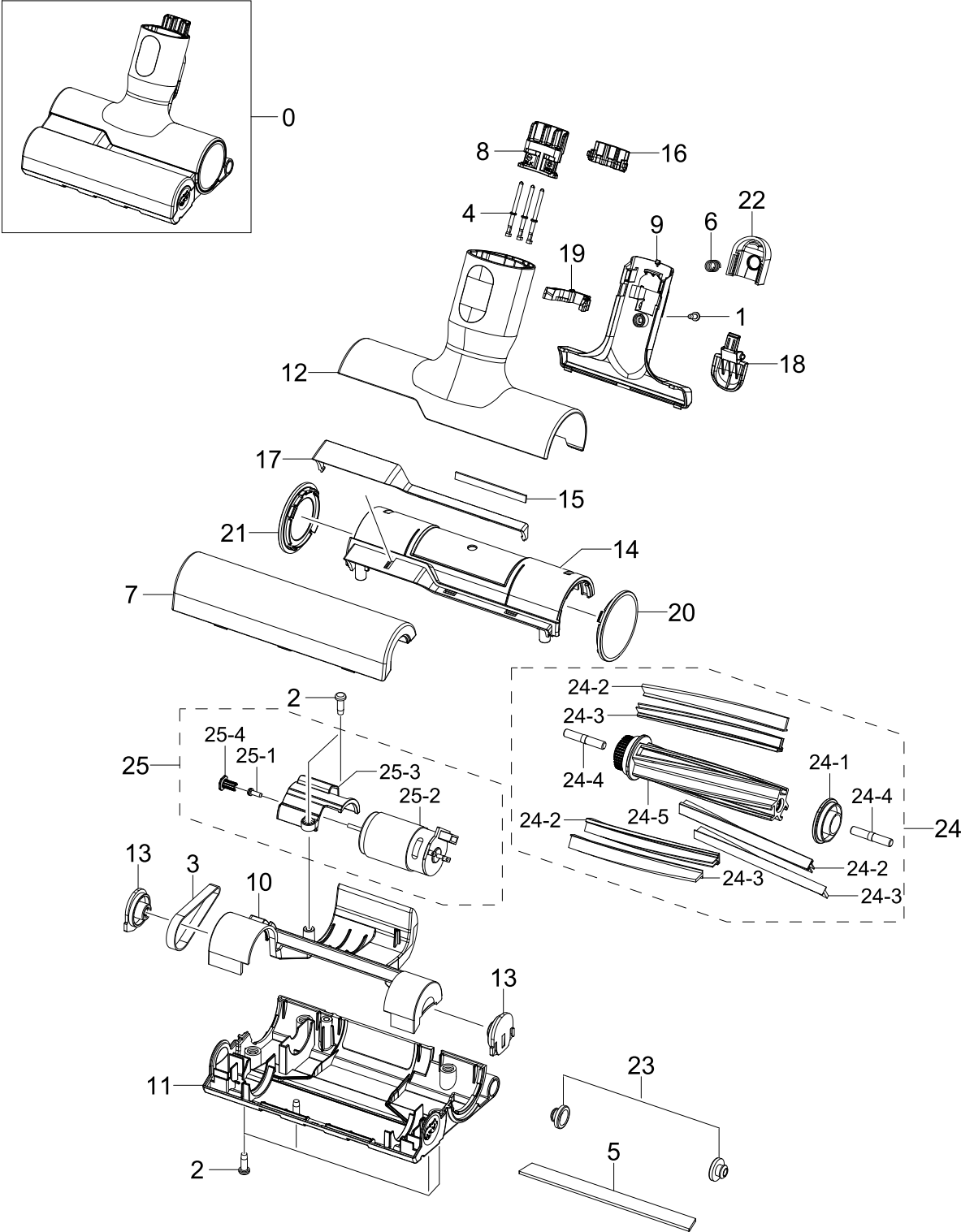
Exploded Views and Parts List

No.	Lvl.	Loc.	Material Code	Description & Specification	SNA	Qty.
7	4		DJ66-00823A	LEVER RELEASE; VS9000NL,PC,-,3022R,GRAY T	SNA	1
8	4		DJ62-00455E	PIPE CONNECTOR; VS9500AL,ABS,ID35.1,L276,	SNA	1
9	4	RA078	DJ62-00456D	PIPE CREVICE; VS9500AL,ABS,L241.8,BLACK C	SA	1
10	4		DJ63-01644E	COVER HOLDER; VS9500AL,ABS,W33.6,L64.4,HB	SA	1

10. Mini Turbo Pet Brush

Mini Turbo Pet Brush

Exploded View



Parts List

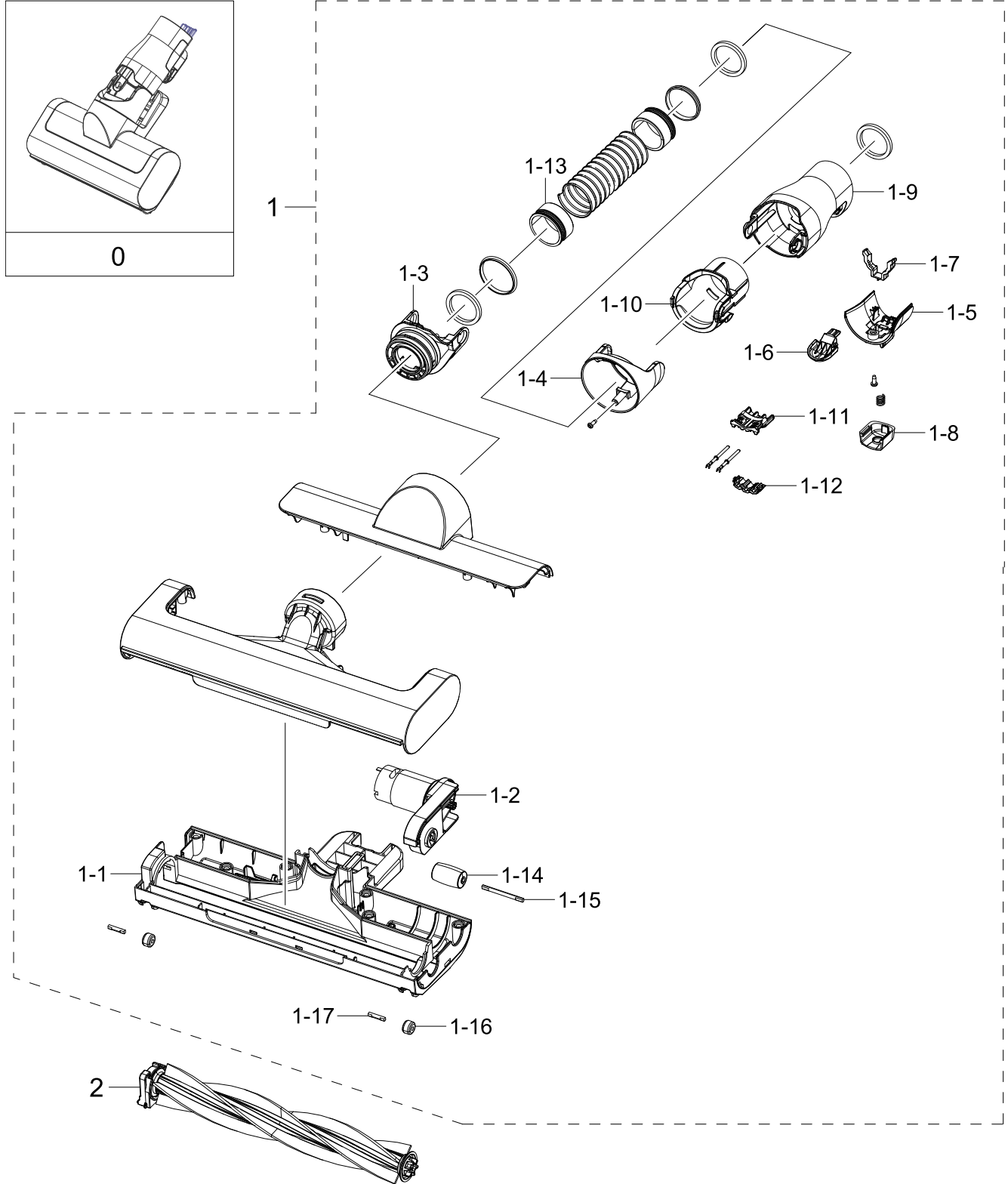
No.	Lvl.	Loc.	Material Code	Description & Specification	SNA	Qty.
0	2		DJ97-02812D	ASSY BRUSH; VS9500A,MINI TURBO PET,BLACK	SA	1
1	3	RV005	6002-000630	SCREW-TAPPING; PH,+,2S,M3,L8,ZPC(WHT),SWR	SNA	1
2	3	RV005	6003-000170	SCREW-TAPTYPE; PH,+,B,M4,L12,ZPC(WHT),SWR	SNA	6
3	3		6602-002831	BELT-TIMING GEAR; 2M-130-6,NBR,T1.36,BLK	SNA	1
4	3		DJ39-00283A	WIRE HARNESS-MOTOR; 2P,BRUSH(MINI TURBO),	SNA	1
5	3		DJ60-00061A	SPACER BRUSH; MINI TURBO PET BRUSH,WOOL,L	SA	1
6	3		DJ61-00584A	SPRING ETC-CAP; VC-MBM940,HSWR,CD0.7,OD7.	SA	1
7	3		DJ61-02485A	CASE DRUM; VS8000ML,PC,GRAY TR-P,SR1000,M	SNA	1
8	3		DJ61-02551A	HOLDER TERMINAL; VS9000NL,PC,L30,EBONY BL	SNA	1
9	3		DJ61-02566E	HOLDER WIRE; VS9500,PC,L,BLACK CHROMETAL	SA	1
10	3		DJ61-02737A	GUIDE AIR; VS9200TL,ABS,Length,HG-0760GP,	SNA	1
11	3		DJ61-02738A	BODY BRUSH; VS9200TL,PC,BLACK,MINI TURBO	SNA	1
12	3		DJ62-00461E	PIPE CONNECTOR; VS9500,PC,BLACK CHROMETAL	SNA	1
13	3		DJ63-00604A	COVER-DRUM; UPRIGHT,POM,-,BISELL,-,BLACK	SA	2
14	3		DJ63-01605F	COVER BRUSH; VS9500,ABS,BLACK CHROMETAL S	SNA	1
15	3		DJ63-01628A	GASKET ETC; VS8000ML,EVA FOAM,-,-,W5,L52,	SNA	1
16	3	RA051	DJ63-01651A	COVER TERMINAL; VS9000NL,PC,V-0,EBONY BLA	SNA	1
17	3		DJ64-01331C	DECORATION COVER; VS9200TL,PET TOOL,ABS,A	SNA	1
18	3		DJ64-01348L	KNOB PIPE; VS9500AL,PC,-,BLACK CHROMETAL	SNA	1
19	3		DJ66-00823A	LEVER RELEASE; VS9000NL,PC,-,3022R,GRAY T	SNA	1
20	3		DJ67-00807F	CAP BODY; VS9500,ABS,HG-0760GP,BLACK CHRO	SNA	1
21	3		DJ67-00808F	CAP AIR; VS9500,ABS,HG-0760GP,BLACK CHROM	SNA	1
22	3		DJ67-00828L	CAP KNOB; VS9500AL,PC,SA-1220,BLACK CHROM	SNA	1

No.	Lvl.	Loc.	Material Code	Description & Specification	SNA	Qty.
23	3		DJ67-00865A	CAP ETC; VS9200TL,NBR,BLACK	SNA	2
24	3		DJ97-02813A	ASSY DRUM BRUSH; VS9200TL,L126.4,YELLOW H	SA	1
24-1	4		DJ61-02749A	HOLDER-DRUM; VS9200TL,PP+TD30%,L5,YELLOW	SNA	1
24-2	4		DJ62-00513A	NOZZLE DRUM; VS9500AL,HNBR,-,-,GRAY,-,-	SNA	3
24-3	4		DJ62-00482A	NOZZLE BRUSH; MINI TURBO PET BRUSH,PA6,T0	SNA	3
24-4	4		DJ66-00206B	SHAFT DRUM; UPRIGHT,SM20C,L29,OD4.95,NATU	SNA	2
24-5	4		DJ66-00863A	DRUM BRUSH; VS9200TL,PP+TD30%,-,CT453S,YE	SNA	1
25	3		DJ94-00891B	ASSY MOTOR PARTS; VS9000RL,RS390,MINI BRU	SNA	1
25-1	4	RV005	6006-000112	SCREW-MACHINE; PH,+,WS,M2.6,L8,ZPC(WHT),S	SNA	1
25-2	4	RJ077	DJ31-00148D	MOTOR DC; 7111rpm,18.0V,0.72A,19.9W	SNA	1
25-3	4		DJ61-02498A	HOLDER MOTOR; VS8000ML,ABS,-,L42,EBONY BL	SNA	1
25-4	4		DJ66-00801A	PULLEY TURBINE; VS8000ML,SMF5030,-,-,ME	SNA	1

11. Jet Fit Brush

Jet Fit Brush

Exploded View



Parts List

No.	Lvl.	Loc.	Material Code	Description & Specification	SNA	Qty.
0	2		DJ97-03121A	ASSY BRUSH; VS6700,CARPET BRUSH,COTTA BLA	SNA	1
1	3		DJ97-03141A	ASSY BODY BRUSH; VS6700,Cotta Black	SA	1
1-1	4	RB001	DJ97-03139A	ASSY BODY; VS6700,Cotta Black	SNA	1
1-2	4		DJ94-01038A	ASSY MOTOR PARTS; VS6700,SRC-395SMP-2183-	SNA	1
1-3	4		DJ60-00067A	CONNECTOR BRUSH; PC,VS6700,COTTA BLACK,HB	SNA	1
1-4	4		DJ63-01862A	COVER CONNECTOR; VS6700,PC,HB,COTTA BLACK	SNA	1
1-5	4		DJ63-01662D	COVER HOLDER; VS6700,PC,HB,COTTA BLACK,30	SNA	1
1-6	4		DJ64-01348G	KNOB PIPE; VS6700,PC,-,COTTA BLACK,-,3022	SNA	1
1-7	4		DJ66-00823A	LEVER RELEASE; VS9000NL,PC,-,3022R,GRAY T	SNA	1
1-8	4		DJ67-00828F	CAP KNOB; VS6700,PC,HB,3022R,COTTA BLACK,	SA	1
1-9	4		DJ62-00460D	PIPE CONNECTOR; VS6700,PC,COTTA BLACK,302	SNA	1
1-10	4		DJ61-02565D	HOLDER ETC; VS6700,PC,L,COTTA BLACK,HB,30	SNA	1
1-11	4		DJ61-02551A	HOLDER TERMINAL; VS9000NL,PC,L30,EBONY BL	SNA	1
1-12	4	RA051	DJ63-01651A	COVER TERMINAL; VS9000NL,PC,V-0,EBONY BLA	SNA	1
1-13	4		DJ60-00056A	CONNECTOR HOSE; PP,VS9000RL,NATURAL,BJ750	SNA	1
1-14	4		DJ66-00914A	ROLLER; VS6700,PVC,OD15,BLACK,POM Insert	SNA	1
1-15	4		DJ66-00912A	SHAFT ROLLER; VS6700,MSWR,L35.5,OD3,T3	SNA	1
1-16	4		DJ66-00911A	ROLLER; VS6700,NBR,OD10,BLACK	SNA	2
1-17	4		DJ66-00913A	SHAFT ROLLER; VS6700,MSWR,L14,OD3,T3	SNA	2
2	3		DJ97-03140A	ASSY DRUM BRUSH; VS6700,L234.4,BLACK,Cott	SA	1