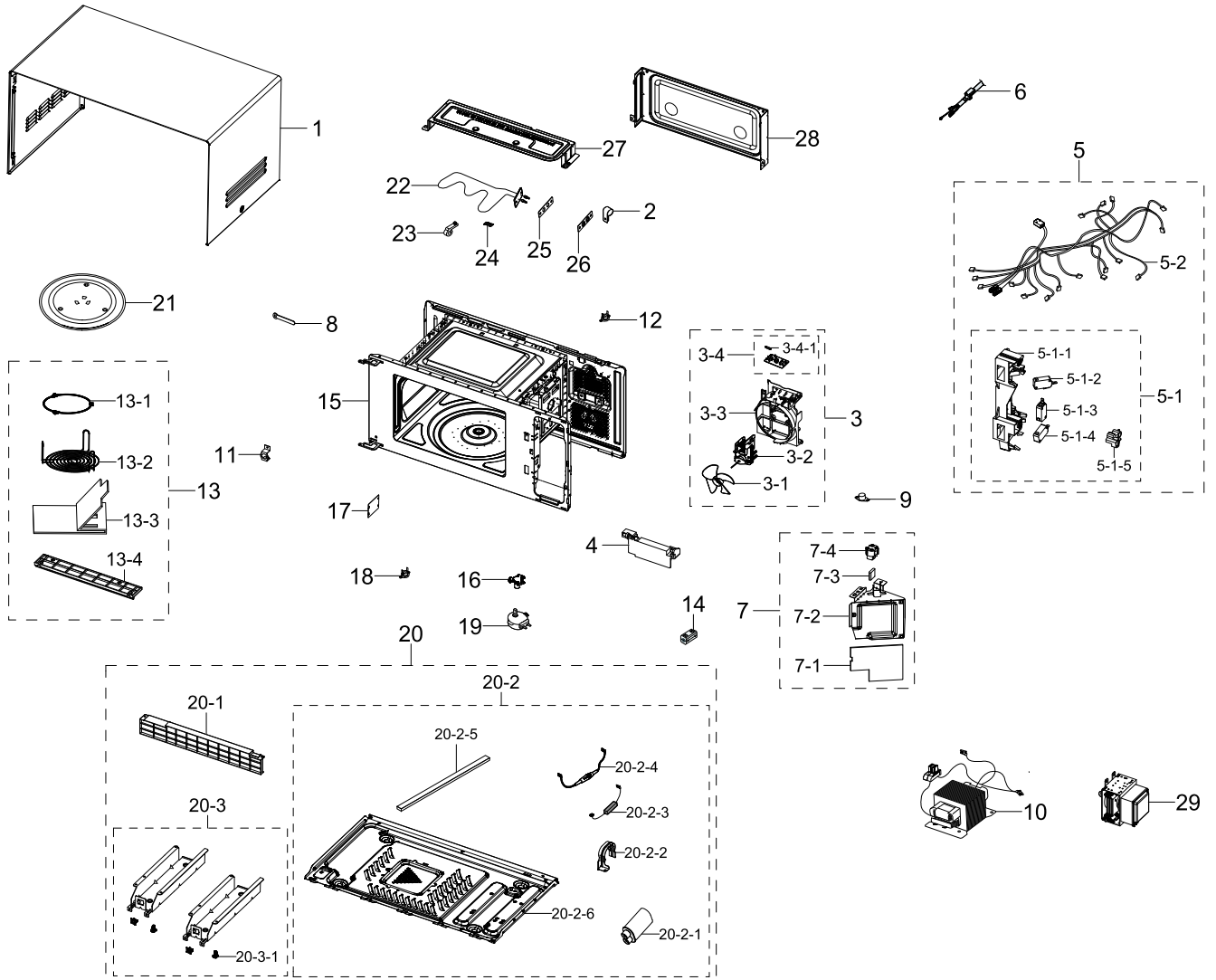


1. Main

Main

Exploded View



Parts List

No.	Lvl.	Loc.	Material Code	Description & Specification	SNA	Qty.
1	2	M001	DE64-02967B	PANEL OUTER; MG22M8074AT/EU,EGI-SECC,T0.4	SA	1
2	2	M483	DE65-20014A	CABLE CLAMP; NY-66,DA-6N	SNA	1
3	2	M020	DE96-01109C	ASSY MOTOR FAN; MG23J5133AT/EG,230V,50Hz,	SA	1
3-1	3	H099	DE31-90057A	BLADE-FAN; 3RD-W,PP,T1.5,T1.5,NATURAL	SA	1
3-2	3	M023	DE31-10185A	MOTOR AC FAN; SMF-3RDEA1,2,230V,50Hz,20W,	SA	1
3-3	3		DE63-00788D	COVER BLOWER; MS23T5012UG/TL,PP+TD30%,,-	SA	1

Exploded Views and Parts List

No.	Lvl.	Loc.	Material Code	Description & Specification	SNA	Qty.
3-4	3	M017	DE96-00399A	ASSY NOISE FILTER; SN-UF11A,250V/15A,250V	SA	1
3-4-1	4	M019	3601-001197	FUSE-CARTRIDGE; 250V,15A,SLOW-BLOW,CERAMI	SA	1
4	2	M099	DE66-00226A	LEVER DOOR; 0.7ECO PLATFORM,PP,GH23,WHITE	SA	1
5	2		DE94-05235A	ASSY HOLDER-WIRE; MG22M8074AT/OL,DE94-022	SNA	1
5-1	3	B022	DE94-02265F	ASSY BODY LATCH; MG22M8074AT/EU	SA	1
5-1-1	4		DE66-00225B	LATCH BODY; MG22M8074AT/EU,PP,NATURAL,-,V	SNA	1
5-1-2	4	B046	3405-001032	SWITCH-MICRO; 125/250VAC,16A,200gf,SPDT,T	SA	1
5-1-3	4	B048	3405-001034	SWITCH-MICRO; 125/250VAC,16A,200gf,SPST-N	SA	1
5-1-4	4	S0021	3405-001116	SWITCH-MICRO; 125/250VAC,1A,200gf,SPST-NO	SA	1
5-1-5	4	L0001	DE66-00234A	LEVER SWITCH; MW73B,POM,F20-03,NATURAL,EC	SNA	1
5-2	3		DE96-00406G	ASSY WIRE HARNESS-MAIN; MG20A7013CT/EG,23	SA	1
6	2	M015	DE96-00385A	POWER CORD-AT; H05VV-F 3x1.5mm2,GRY,EU3S,	SA	1
7	2	M144	DE94-04945A	ASSY COVER AIR; MQ7000A,GI-SGCC,HALOGEN T	SA	1
7-1	3		DE63-00921A	COVER CEILING; MQ7000A,MICA SHEET,T0.3	SA	1
7-2	3		DE63-00917A	COVER AIR; MQ7000A,GI-SGCC,T0.4	SNA	1
7-3	3	U013	4713-002365	LAMP-HALOGEN; 230V,25W,2500K,170Lm,13x42x	SA	1
7-4	3		DE47-00041B	LAMP HOLDER HALOGEN; G9,1ea,SNAP IN FX,25	SA	1
8	2	M058	6052-000075	CABLE CLAMP; PI 5.0, L75mm,T0.3,Si,WHITE	SNA	1
9	2	M436	DE47-20009A	THERMOSTAT; AC125/250V,15/10A,150C,60C,No	SA	1
10	2	M038	DE26-00153A	TRANS H.V; SHV-EPT08A,230V,2370V/3.55V,AL	SA	1
11	2		DE61-01632A	BRACKET SENSOR; MQ8000M,EGI-SECC,T0.4	SNA	1
12	2	M031	DE47-00002B	THERMOSTAT; AC125/250V,15/10A,110C,100C,N	SA	1
13	1		DE90-01940E	ASSY ACCESSORY PARTS; MG22M8054AK/EO,DE98	SNA	1
13-1	3	F535	DE94-04260A	ASSY GUIDE ROLLER; EU MWO BUILT-IN,PPS,TE	SA	1
13-2	3	T010	DE97-00106E	ASSY WIRE RACK; 32Cm MTBI GRILL,D235.6,H7	SA	1

No.	Lvl.	Loc.	Material Code	Description & Specification	SNA	Qty.
13-3	3		DE69-00191B	PAD PACKING-ACCESSORY; 0.7/0.8,CB,SW2,SET	SNA	1
13-4	3		DE61-01679A	GUIDE-INSTALL; MG22M8074AT/EU,PC,HB,141R,	SA	1
14	2	M052	DE73-90027A	CORE-FERRITE; T13.8,NI-ZN,BNF-14(K150),L2	SNA	1
15	2	P141	DE94-03908D	ASSY CAVITY-COATING; MG22M8150AT/EU,22L	SNA	1
16	2	M034	DE67-00140A	COUPLER; PPS+GF40%,E1040SEW,NATURAL,-,BIM	SA	1
17	2	M051	DE63-00237A	COVER-CEILING; CE297DN-5,MICA SHEET,T0.3,	SA	1
18	2	M448	DE47-20017B	THERMOSTAT; AC125/250V,15/10A,150C,140C,N	SA	1
19	2	M049	DE31-10154D	MOTOR AC DRIVE; 8Pole,21V,50-60Hz,200mA,3	SA	1
20	2	U001	DE94-04291B	ASSY BASE BOTTOM-MODULE; MG22T8054AB/EO,G	SNA	1
20-1	3		DE94-04058A	ASSY DUCT AIR; MQ8000M,MQ8000M	SNA	1
20-2	3	M155	DE94-04232A	ASSY BASE PLATE; MG22M8054AK/BW,GI-SGCC,T	SNA	1
20-2-1	4	M039	2501-001016	C-OIL HIGH VOLTAGE; 950nF,2100V,BK,34x54x	SA	1
20-2-2	4	M040	DE61-01263A	BRACKET-HVC; 0.7ECO PLATFORM,EGI-SECC,T0.	SA	1
20-2-3	4	M527	DE59-00002A	DIODE-H.V; MWO,2CL4512H/CL04-12A,500mA,12	SA	1
20-2-4	4	M042	DE91-70061C	ASSY H.V.FUSE; THV060T,5KV,700,SCREW,BLU,	SA	1
20-2-5	4	P021	DE63-00008J	CUSHION SPONGE; PU FOAM,PUT-FOAM,T4,W8,L1	SNA	1
20-2-6	4	M048	DE61-01620A	BASE PLATE; MQ8000M,GI-SGCC,T0.5	SNA	1
20-3	3	P327	DE94-04056B	ASSY BRACKET-BASE; MG22M8074AT/EU,GI-SGCC	SA	2
20-3-1	4		DE61-01702A	LEG LEVELING; MQ8000M,PA66+GF15%,BLACK,-,	SA	4
21	2	T001	DE74-00027A	TRAY COOKING; NC2000,NC06,GLASS,T5,L255,6	SA	1
22	2	H061	DE47-00016A	HEATER SHEATH-GRILL; AC230V,BKT,1100W(108	SA	1
23	2		DE61-01857A	SUPPORT HEATER; MG23T5018CC,ALUMINA,-,W31	SA	1
24	2	M005	DE61-70060A	SPRING-PLATE; SK5,T0.5	SNA	1
25	2	M008	DE63-00049B	GASKET-HEATER; CELLO,BRASS,T1,NATURAL	SNA	1
26	2	M012	DE61-01529A	BRACKET HEATER; 1.1 CELLO,EGI-SECC,T0.8	SNA	1

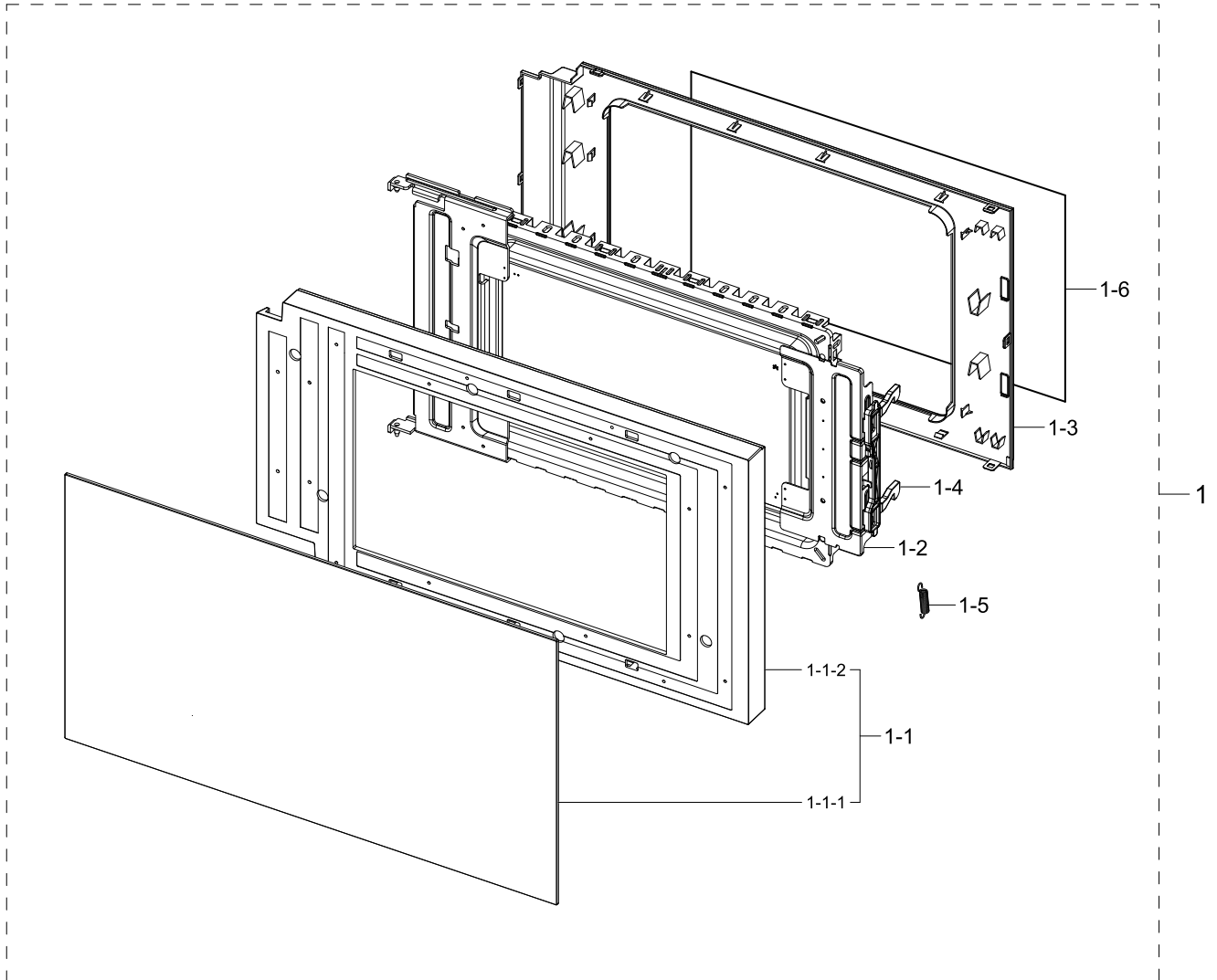
Exploded Views and Parts List

No.	Lvl.	Loc.	Material Code	Description & Specification	SNA	Qty.
27	2	M003	DE61-01318A	BRACKET-UPPER(GRILL); 0.8 Chic,EGI-SECC,T	SNA	1
28	2	P186	DE63-00439A	COVER BACK; 320MTBI,EGI-SECC,T0.4,W330.4,	SA	1
29	2	M035	OM75P(31)ESGN	ASSY-MGT; ASSY-MGT		1

2. Assy Door-Module

Assy Door-Module

Exploded View



Parts List

No.	Lvl.	Loc.	Material Code	Description & Specification	SNA	Qty.
1	2	D049	DE94-03915J	ASSY DOOR-MODULE; MG22M8074AT/EF,PC,BLACK	SA	1
1-1	3	D037	DE94-03915A	ASSY DOOR A; MG22M8074AT/EU,PC,BLK	SA	1
1-1-1	4	D003	DE64-02960A	SCREEN DOOR; MQ8000M,GLASS,T3.2	SNA	1
1-1-2	4	D002	DE64-02958A	DOOR A; MQ8000M,PC,HB,141R,GE BLACK	SNA	1
1-2	3	D004	DE94-03914B	ASSY DOOR E-COATING; MG22M8074AT/EU,BLK	SNA	1
1-3	3		DE64-02962A	DOOR C; MQ8000M,PP+TD30%,HB,TB53,BLACK	SNA	1

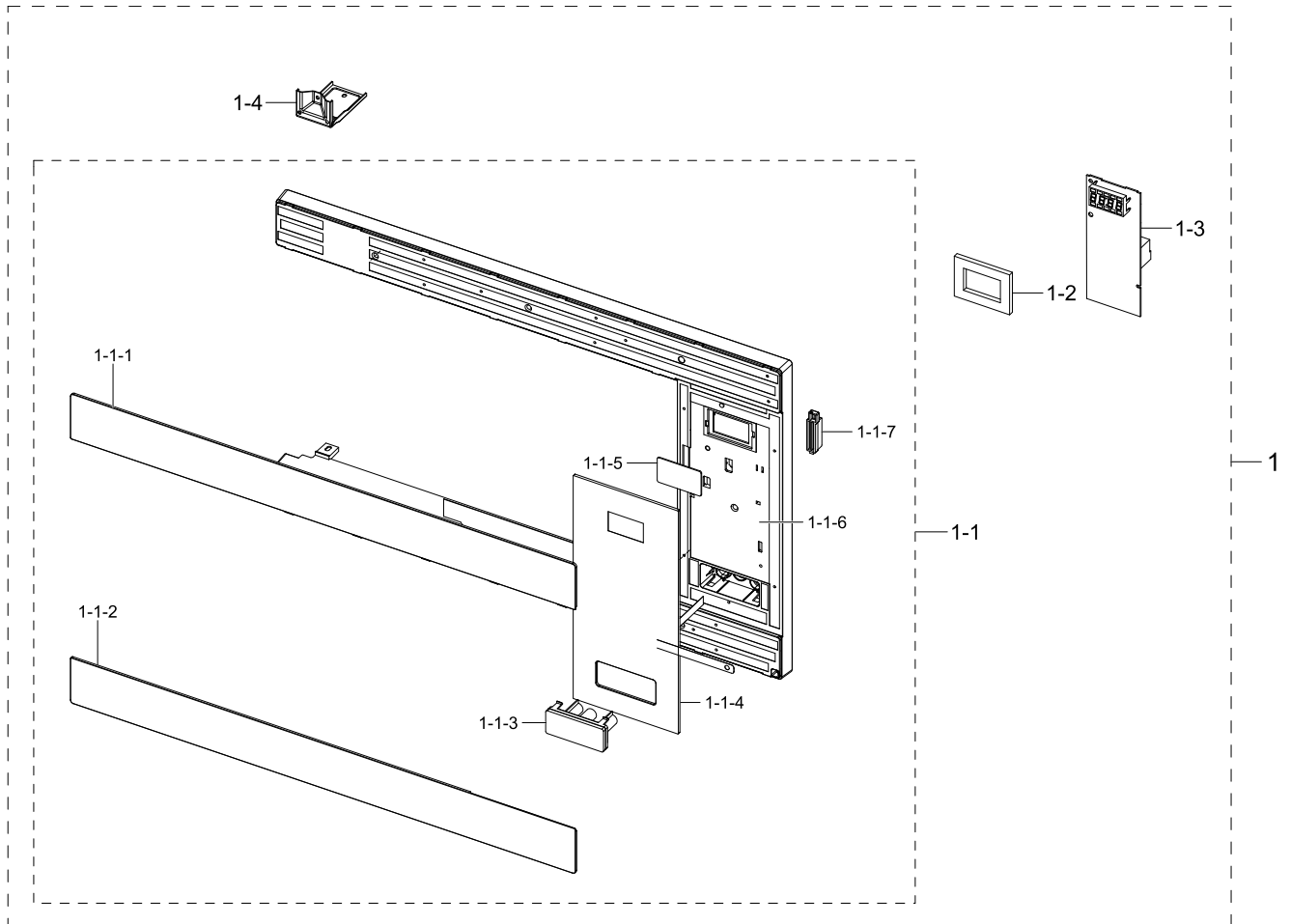
Exploded Views and Parts List

No.	Lvl.	Loc.	Material Code	Description & Specification	SNA	Qty.
1-4	3	D011	DE64-02970A	KEY DOOR; MQ8000M,POM,NATURAL	SA	1
1-5	3	D007	DE61-00198A	SPRING KEY; M1877,HSWR-SWRH,PI0.7,D6,24 1	SNA	1
1-6	3	D005	DE64-00221E	FILM DOOR; PET,T0.15,W143,L264,NATURAL,Y,	SNA	1

3. Assy Trim

Assy Trim

Exploded View



Parts List

No.	Lvl.	Loc.	Material Code	Description & Specification	SNA	Qty.
1	2		DE94-05379L	ASSY TRIM; MG22M8254AK/E1,Clear Window Di	SNA	1
1-1	3		DE94-05394F	ASSY TRIM-SUB; MG22M8254AK/E1,Clear Windo	SA	1
1-1-1	4		DE64-02969B	TRIM CHASSIS-UP; MQ8000M,EGI-SECC,T0.4,BL	SNA	1
1-1-2	4		DE64-02968B	TRIM CHASSIS-LOW; MQ8000M,EGI-SECC,T0.4,B	SNA	1
1-1-3	4		DE94-03910A	ASSY BUTTON PUSH; MG22M8074AT/EU,Acrylic	SA	1
1-1-4	4	C165	DE94-03916D	ASSY COVER PANEL; MG22M8054AK/ET,Acrylic,	SNA	1

Exploded Views and Parts List

No.	Lvl.	Loc.	Material Code	Description & Specification	SNA	Qty.
1-1-5	4	C009	DE64-02981B	WINDOW DISPLAY; MS22M8254AK/E1,ACRYL,T1,W	SNA	1
1-1-6	4	P139	DE64-02959A	TRIM; MQ8000M,ABS,HG-0760SR,GE BLACK	SA	1
1-1-7	4		DE61-01418A	HOLDER PANEL; HQ-Z213GW,PP,BLACK,MU30HP	SA	1
1-2	3	P021	DE63-00408A	CUSHION SPONGE; PU FOAM,BLACK,PCB SPONGE,	SA	1
1-3	3	F316	DE92-04592C	ASSY PCB MAIN; SMS3GL,MQ8000M,329*252,220	SA	1
1-4	3		DE61-01611A	BRACKET INSTALL; MQ8000M,CR-SPCC,T1.2,BLA	SA	1