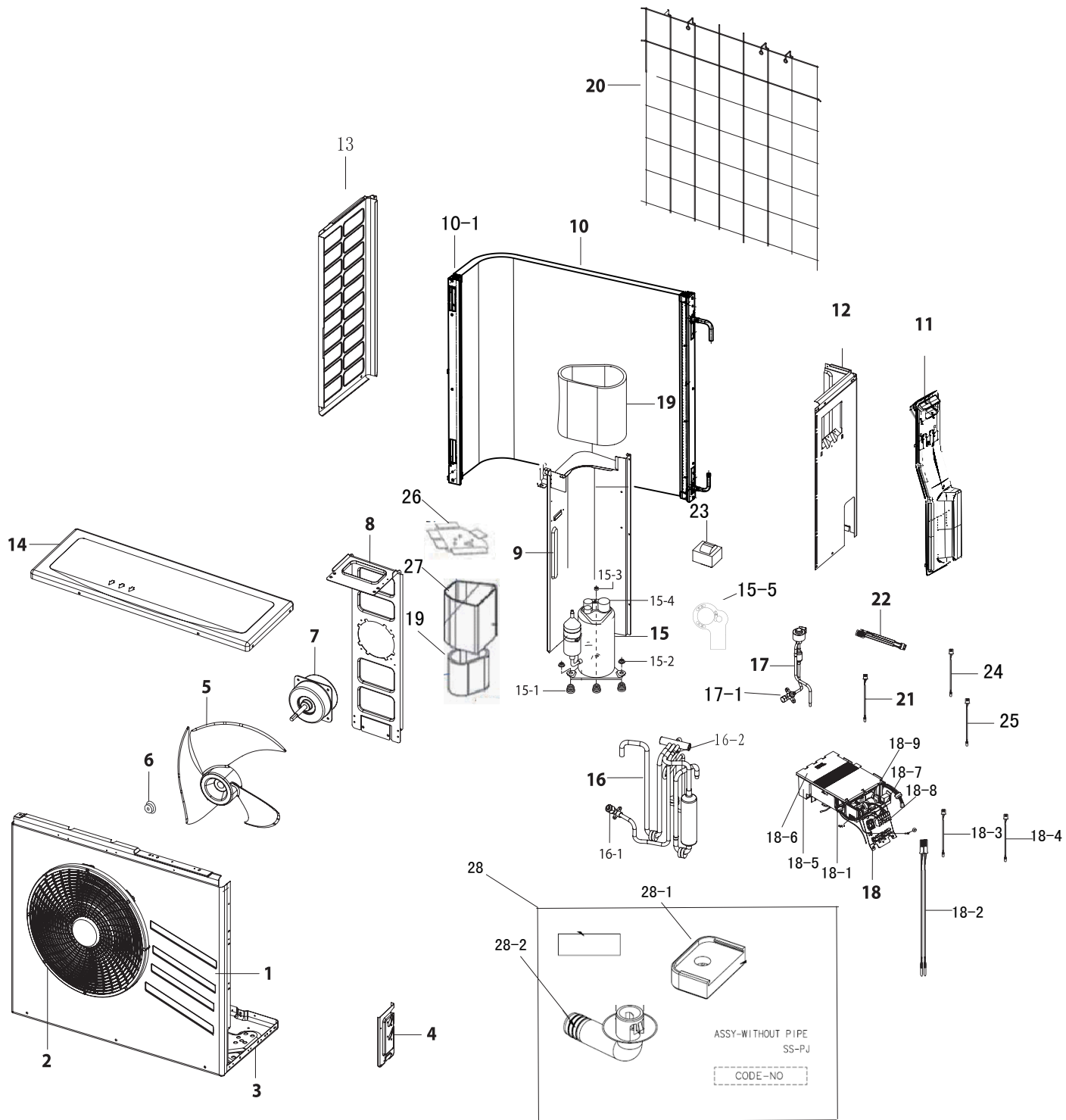


OUTDOOR UNIT

AR18HSFSAWKXEU



NO	PartsCode	Parts Description	Spec	Quantity	Service
				AR18HSFSAWKXEU	
1	DB90-07180V	ASSY CABI FRONT	AR18HSFSAWKXEU, GY0180, SSEC	1	SA
2	DB63-00838C	GUARD FAN	ARX-CP153, PP, EARTH BROWN, U3-PJT	1	SA
3	DB90-07169U	ASSY BASE OUT-TOTAL	AR18HSFSAWKXEU, SSEC	1	SNA
4	DB61-01593C	BRACKET-VALVE	P/Q, SGCC-M, T1. 5, 102, 218, WHITE, RAC	1	SA
5	DB67-01408A	FAN PROPELLER	SAN-GF20	1	SA
6	DB60-30020A	NUT-HEXAGON FLANGE	M6, Zn-Ni, MSWR3, CLOCKWISE	1	SNA
7	DB31-00642A	MOTOR BLDC FAN	SIC-67FV-F139-1(A), 1000, 310V, 0. 5, 55	1	SNA
8	DB61-05885A	BRACKET MOTOR	F-XS-04, GI-SGCC, T1. 2, -	1	SA
9	DB94-03705B	ASSY PARTITION	Q Chassis, SSEC	1	SNA
10	DB96-19010B	ASSY COND BENDING	AR18HSFSAWKXEU, Q FMC	1	SNA
10-1	DB61-05867A	HOLDER-COND LOW	F-XS-04, PP, EARTH BROWN, -, TB52U, FMC	4	SNA
11	DB90-07459E	ASSY COVER-VALVE	AR18FSFTJWQXEU, SSEC, ASSY	1	SNA
12	DB90-07173N	ASSY CABINET-SIDE RH	RAC, SSEC	1	SA
13	DB90-07172D	ASSY CABI LF	AR18FCSNAWK/AF, Q FMC, GY0180	1	SA
14	DB90-07183C	ASSY CABINET-UP	RAC, GY0180 (Earth brown)	1	SA
15	UG4T150LNBEQSS	RCP, 44 TWIN A INV, L, R410A	0	1	-
15-1	DB63-02296A	GROMMET ISOLATOR	44F, NR, L32. 5, ID11. 5, OD34. 0, BLACK	3	SNA
15-2	DB60-30028A	NUT-FLANGE	HHW, M8, ZPC (WHT), SWRCH18A, P1. 25/Washer Type (WP)	3	SNA
15-3	6021-001142	NUT-HEXAGON FLANGE	-, M5, ZPC (YEL), SWCH10A, SERRATION	1	SNA
15-4	DB63-02310A	COVER TERMINAL	SABIC N1250, 2. 5, BLACK, no OLP	1	SA
15-5	DB63-00817B	GASKET	A/C model, SIR, TO. 8, 26. 0, L80, A/C model use	1	SA
16	DB96-19492A	ASSY TUBE 4WAY	AR18HSFSAWKXEU, SSEC	1	SA
16-1	DB62-02285A	VALVE SERVICE-SPINDLE	., 1/2"	1	SA
16-2	DB96-06998F	ASSY-SOLENOID COIL	WW3, SSEC	1	SA
17	DB96-19493A	ASSY TUBE EEV	AR18HSFSAWKXEU, SSEC	1	SA
17-1	DB62-02283A	VALVE SERVICE-SPINDLE	., 1/4", R410A, FLARE	1	SNA
18	DB93-14201D	ASSY CONTROL OUT	HP, INV, 18K, -, -, -, -, -, -, -, -, -, -, -, AR18HSSDAWKXEU, SSEC	1	SNA
18-1	DB92-02866A	ASSY PCB MAIN	OUTDOOR, A3050, 197*142, PF#2	1	SA
18-2	DB93-14275A	ASSY CONNECTOR WIRE-POWER	2, 1015, 18, BRN, YH396-03VR/BLU, YH396-03VR/BLU	1	SA
18-3	DB93-14276A	ASSY CONNECTOR WIRE-DC SIGNAL	3, 1007, 22, BLK, SMH250-03L/RED, SMH250-03L/RED	1	SA
18-4	DB93-14277A	ASSY CONNECTOR WIRE-DC SIGNAL	3, 1007, 22, BLK, SMH250-03L/BLU, SMH250-03L/BLU	1	SA
18-5	DB90-07729A	ASSY COVER CONTROL-UP	AR12FSSSBWKXSA, SSEC	1	SA
18-6	DB90-07833A	ASSY CASE CONTROL	AR12FSSSBWKXSA, A3050, SSEC	1	SA
18-7	DB65-00274A	TERMINAL BLOCK	TERMINAL BLOCK, 2-TAB 2-SCREW, B Type	1	SA
18-8	DB65-00298B	TERMINAL BLOCK	11R RAC-INVERTER, P. B. T + G30, 4-TAB 4-SCREW	1	SA
18-9	DB92-02862A	ASSY MODULE	STD #4 SMPS, A3050, 16W (5V 280mA, 12V 790mA, 15V 300mA)	1	SA
19	DB63-02344A	FELT-COMP SIDE	-, FELT+PVC, T10+T1. 6, 265. 615, GRAY, SSEC	1	SA
20	DB63-03321A	GUARD-COND BAR	#N/A	1	SNA
21	DB93-09493C	ASSY CONNECTOR WIRE	2, 1015, 16, BRN, DBT081-02P, 175022-1, -, 270, -, -	1	SA
22	DB93-09497E	ASSY CONNECTOR WIRE	3, 1015, 16, RED, MG620877P, DBT061-03P/WHT, -, 190	1	SA
23	DB27-00042B	COIL CHOKE-REACTOR	forte, 5mH, 5%, 15A	1	SC
24	DB93-11244B	ASSY CONNECTOR WIRE	11R, AWG14, COMP WIRE	1	SA
25	DB95-05164B	ASSY THERMISTOR OUT	103AT, 6P, 650/610/1000, UL1007, 22, 6, SMH200, 7PI PVC, 220/100/160	1	SNA
26	DB63-03458A	FELT-COMP TOP OUT	RAC, FELT+EVAR, T5+T1. 5, 281. 74, 238. 4, SSEC	1	SNA
27	DB63-02343A	FELT-COMP SIDE OUT	-, FELT+PVC, T6. 6, 370. 800, GRAY, SSEC	1	SA
28	DB97-02066C	ASSY ACCESSORY	HP, NO, 18000, NO, -, N, SH18AW6X, SSEC	1	SA
28-1	DB73-20134A	RUBBER-LEG	V2-MD, NR, 55	4	SA
28-2	DB67-20011A	DRAIN-PLUG OUT	ASH-1814ER, PP, WHITE	1	SNA