
[WD600T] WD90T654DBE/S3EXPLODED VIEWS AND PARTS LIST



[MATERIAL CODE STANDARDS]

Material codes and names and their respective naming rules are managed in accordance with the prescribed standards. Please refer to these standards when requesting a material.

1. Material Code Type

● : Number

■ : Letter (Alphabet)

Type 1	 ex) 0204-000418 FREON	Enterprise-wide parts Type 1 materials can be used for all Samsung Electronics products. (Most electrical parts belong to this type.)
Type 2	 ex) DC96-01390A ASSY-CONTROL	Division-wide parts (DC**-Washing machine) Type 2 materials can be used for specific products. (Most instruments and tools belong to this type.)

2. Ass'y Materials

All ass'y material codes start with DC9*.

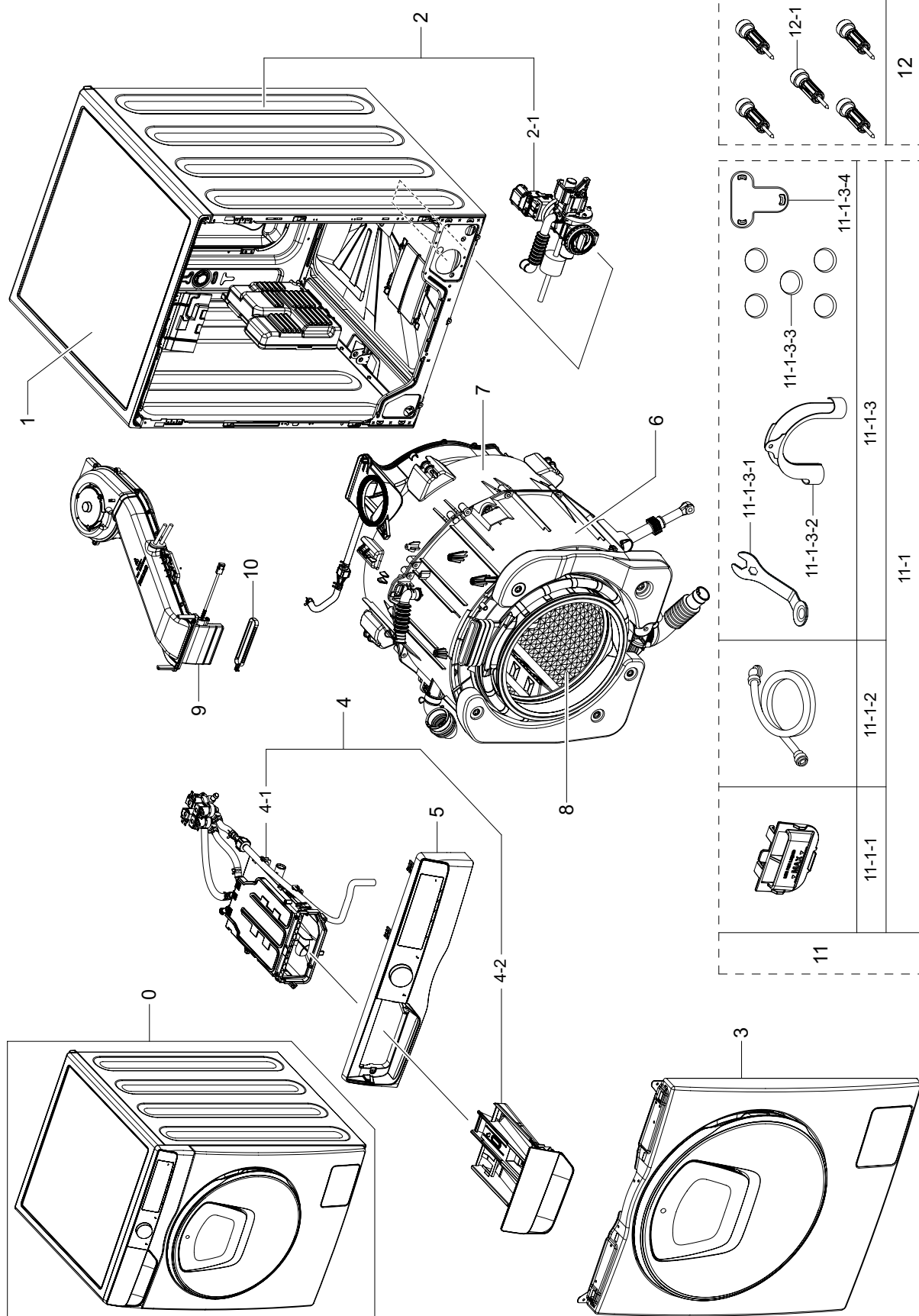
An ass'y material is created by combining more than two materials. If a requested material cannot be provided, you can request an ass'y material that contains that material.

3. For information about purchasing parts and tool, please visit <http://www.samsung.com/support>

4. The part that is assigned as SA (service available) will be able to purchase.

The part that is assigned as SNA (service not available) will not supply, in result, not available in the market.

1. MAIN (WD90T654DBE/S3)

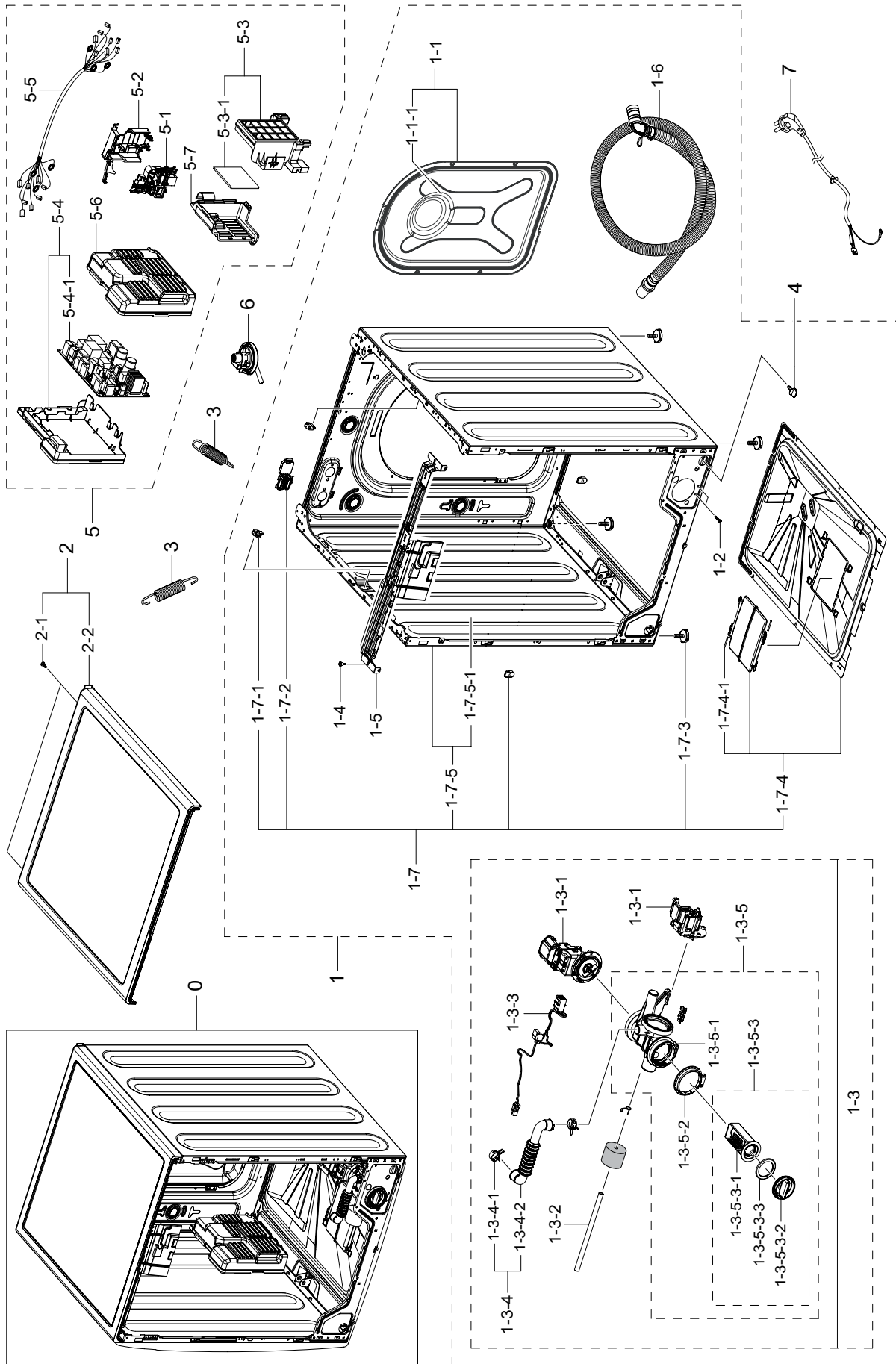


MODEL CODE (WD90T654DBE/S3)

Service Bom (SA: SERVICE AVAILABLE, SNA: SERVICE NOT AVAILABLE)

Drawing No.	Code No.	Description	Specification	QTY	Un	SA/SNA
0	WD90T654DBE/S3	ASSY-WASHING MACHINE				
1	DC90-28603D	ASSY COVER TOP PARTS	WD90T654DBH/S1	1	PC	SNA
2	DC90-28603C	ASSY FRAME PARTS	WD90T654DBH/S1	1	PC	SNA
2-1	DC97-15696R	ASSY PUMP DRAIN	WW6000T,WD90T654DBH/S1,2	1	PC	SNA
3	DC90-28603L	ASSY FRONT PARTS	WD90T654DBH/S1	1	PC	SNA
4	DC90-28603E	ASSY DRAWER PARTS	WD90T654DBH/S1	1	PC	SNA
4-1	DC97-22247B	ASSY HOUSING DRAWER-MODULE	U-PJT,HEBA 63	1	PC	SNA
4-2	DC97-22250B	ASSY DRAWER-MODULE	U-PJT,WW6000T,DA WHITE	1	PC	SNA
5	DC90-28637G	ASSY PANEL CONTROL PARTS	WD92T654CBE/S4	1	PC	SNA
6	DC90-28603K	ASSY TUB FRONT PARTS	WD90T654DBH/S1	1	PC	SNA
7	DC90-28603G	ASSY TUB BACK PARTS	WD90T654DBH/S1	1	PC	SNA
8	DC90-30962A	ASSY DRUM PARTS	WD4000T,WD11T4046BX/AX	1	PC	SNA
9	DC93-00341C	ASSY DUCT SCROLL	WD7000J,9KG,220V	1	PC	SA
10	DC66-00782A	JOINT DIAPHRAGM	EGI-SECC,T1.0	1	PC	SA
11	DC90-28603J	ASSY ACCESSORY PARTS	WD90T654DBH/S1	1	PC	SNA
11-1	DC98-04384A	ASSY ACCESSORY	U-PJT HEBA 63,WD90T654DBH	1	PC	SNA
11-1-1	DC61-03510A	GUIDE LIQUID	WF-F500E,PP+TD30%,,-,MT43,	1	PC	SA
11-1-2	DC97-16921A	ASSY HOSE WATER	WA5700J	1	PC	SC
11-1-3	DC98-04384B	ASSY ACCESSORY	U-PJT HEBA 63,WD90T654DBH	1	PC	SNA
11-1-3-1	DC60-00104A	FASTENER-BOLT	ALL,CR-SPCC,T2,L113.5	1	PC	SA
11-1-3-2	DC62-10278A	HOSE HANGER	PUMP MODEL,PP,ID27,T1.5,HS95	1	PC	SA
11-1-3-3	DC67-00307A	CAP-FIXER	WF438AAC/XAA,PP,T1.5,-,RM60,BL	5	PC	SA
11-1-3-4	DC67-00208B	CAP-FIXER	WF8602NHS/XFA,PP,T1.5,COPO,BLA	1	PC	SA
12	DC97-14794C	ASSY FIXER TUB	-,SCOUT,-,-,-	5	PC	SA
12-1	DC60-60044B	WASHER PLAIN	WW65R20GLSW/TL,SWRCH18A,T2,	5	PC	SA

2. ASSY FRAME & COVER PARTS (WD90T654DBE/S3)



MODEL CODE (WD90T654DBE/S3)

Service Bom (SA: SERVICE AVAILABLE, SNA: SERVICE NOT AVAILABLE)

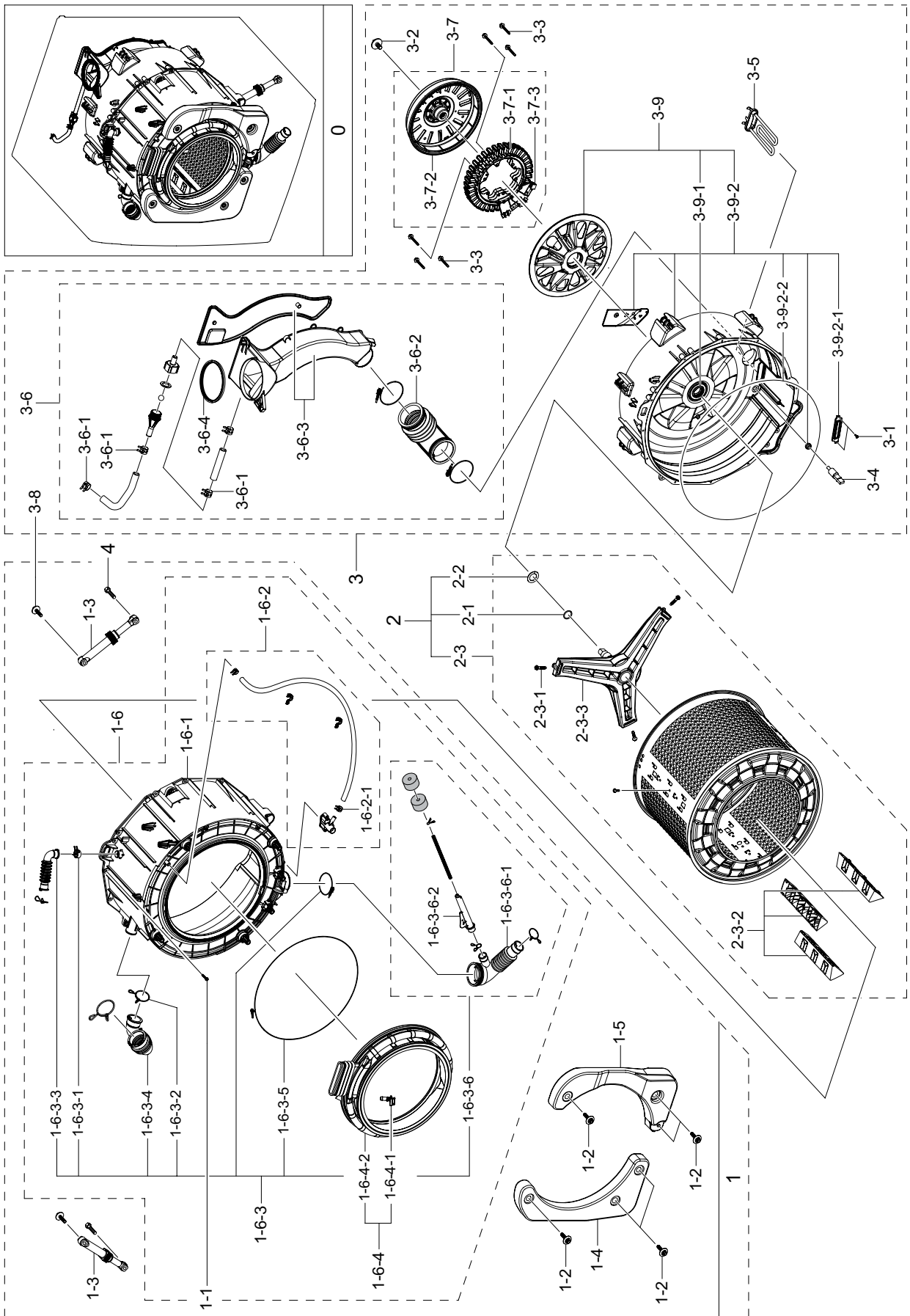
Drawing No.	Code No.	Description	Specification	QTY	Un	SA/SNA
0		ASSY FRAME & INNER PARTS				
1	DC90-28603C	ASSY FRAME PARTS	WD90T654DBH/S1	1	PC	SNA
1-1	DC97-17948B	ASSY COVER BACK	AEGIS	1	PC	SA
1-1-1	DC63-00862C	COVER BACK	WF8600NMW,GI-SGCC,T0.35,W352,	1	PC	SA
1-2	DC97-14006C	ASSY SCREW	GRIFFIN-PJT,WF9904RWE,SWRCH18	2	PC	SNA
1-3	DC97-15696R	ASSY PUMP DRAIN	WW6000T,WD90T654DBH/S1,2	1	PC	SNA
1-3-1	DC31-00181A	MOTOR AC PUMP	Drum&Auto,B15-6A/S3019/S30	2	PC	SA
1-3-2	DC67-00244C	HOSE DRAIN	WF0804Y8E,EPDM,ID6,T2.5,HS0,B	1	PC	SA
1-3-3	DC96-01567C	ASSY WIRE HARNESS	AEGIS 3- PJT,WF0702WKN	1	PC	SA
1-3-4	DC97-19905A	ASSY HOSE PUMP	DRUM	1	PC	SA
1-3-4-1	DC61-00158A	CLAMPER HOSE	SW65ASP,SK5,ID23,T0.8,-,-,-	2	PC	SA
1-3-4-2	DC67-00461A	HOSE AIR TUB	SCOUT- PJT,EPDM,T1.5,BLACK	1	PC	SA
1-3-5	DC97-19914A	ASSY CASE FILTER	BUBBLE	1	PC	SA
1-3-5-1	DC61-02271B	CASE PUMP	WF0804Y8E/ XEF,PP+TD20%,T2.5,NA	1	PC	SA
1-3-5-2	DC69-01128A	PACKING-PUMP	WF8804DP,BUTYL,T2.5,HEBA-PJ	1	PC	SA
1-3-5-3	DC97-15695C	ASSY FILTER	Heba,WF9904CWN1	1	PC	SA
1-3-5-3-1	DC63-00998A	FILTER PUMP	SCOUT-PJT,PP+TD20%,-,W52.8,L	1	PC	SA
1-3-5-3-2	DC64-02783A	HANDLE FILTER	WF350ANW/XAA,PP+(GF+KD)30%	1	PC	SA
1-3-5-3-3	DC73-00022A	SEAL PACKING	SEW-HVR149ATA,EPDM	1	PC	SA
1-4	DC97-15858A	ASSY SCREW	trumph-PJT,WF-F1061/YLP,SWRCH	2	PC	SNA
1-5	DC97-22408A	ASSY FRAME PLATE-UP	WD5000T,T1.4,HEBA	1	PC	SA
1-6	DC97-20913A	ASSY HOSE DRAIN(O)	WW7800M 1600RPM,WW90M	1	PC	SA
1-7	DC97-22333A	ASSY FRAME-MODULE	WW6000T,-WD90T654DBH/S	1	PC	SA
1-7-1	DC61-02065A	GUIDE SPRING	WF448AAG/XXA,POM,T4,-,F20-0	2	PC	SNA
1-7-2	DC63-02181B	COVER CONNECTOR	PP,T2,HB,BLACK,RM60,RECY	1	PC	SA
1-7-3	DC97-00920W	ASSY LEG	WW6000T,WD90T654DBH/ S1,48.5,M10	4	PC	SA
1-7-4	DC97-17247A	ASSY COVER BOTTOM	SEINE COMBO,WD906U4SAG	1	PC	SA
1-7-4-1	DC64-00564A	HANDLE PIN	WF602U2BKWQ/SC,STS304	2	PC	SA
1-7-5	DC97-17253K	ASSY FRAME	WW6000T,WD90T654DBH/S1,GA-SGC	1	PC	SNA
1-7-5-1	DC61-03419F	FRAME	WD90T654DBH/S1,GA-SGCC,T0.7	1	PC	SNA
2	DC90-28603D	ASSY COVER TOP PARTS	WD90T654DBH/S1	1	PC	SNA
2-1	6002-001438	SCREW-TAPPING	HWH,+ ,NO,1,M5,L12,ZPC(WHT)	2	PC	SNA

MODEL CODE (WD90T654DBE/S3)

Service Bom (SA: SERVICE AVAILABLE, SNA: SERVICE NOT AVAILABLE)

Drawing No.	Code No.	Description	Specification	QTY	Un	SA/SNA
2-2	DC97-18679N	ASSY COVER TOP-MODULE	WD7000T(HEBA-63),D	1	PC	SA
3	DC61-02029B	SPRING ETC-HANGER MODULE	HEBA 7kg,HSWR,3	2	PC	SA
4	DC61-10673C	CAP DRAIN	WF1802XEY/XSC,PP,RM60,BLACK	1	PC	SA
5	DC92-02705A	ASSY COVER PCB W/ HARNESS	U-PJT HEBA 63,W	1	PC	SNA
5-1	DC34-00028B	SWITCH DOOR LOCK	AC250V,16A,SOLENOID,DOO	1	PC	SA
5-2	DC63-02602A	COVER DOOR SWITCH	WW6000,PP,T2.5,5VA,NAT	1	PC	SA
5-3	DC92-02665A	ASSY PCB KIT	FWM_INV,COMBO MODULE,121x80	1	PC	SA
5-3-1	DC92-02664A	ASSY PCB MAIN	FWM_INV,COMBO MODULE,121x8	1	PC	SNA
5-4	DC92-02701A	ASSY HOLDER PCB	WW5000T,WD6500T,DC92-026	1	PC	SA
5-4-1	DC94-10835A	ASSY PCB EEPROM	5049,WD6500T,Micom_D3+22	1	PC	SNA
5-5	DC93-00894A	ASSY WIRE HARNESS-MAIN	DRUM-M,WD90T754DB	1	PC	SA
5-6	DC63-02598A	COVER PBA	WW6000T(F500E-SSEC),ABS,T2.5,5	1	PC	SA
5-7	DC63-02624A	COVER PBA	WW6000T(24" DRUM COMBO PLATFOR	1	PC	SA
6	DC96-01703G	SENSOR PRESSURE	Air,5V,L0,400mmH2O	1	PC	SA
7	DC39-00067B	POWER CORD-AT	H05VV-F 3x1.0mm2,GRY,EU3F,	1	PC	SA

3. ASSY TUB & DRUM PARTS (WD90T654DBE/S3)



MODEL CODE (WD90T654DBE/S3)

Service Bom (SA: SERVICE AVAILABLE, SNA: SERVICE NOT AVAILABLE)

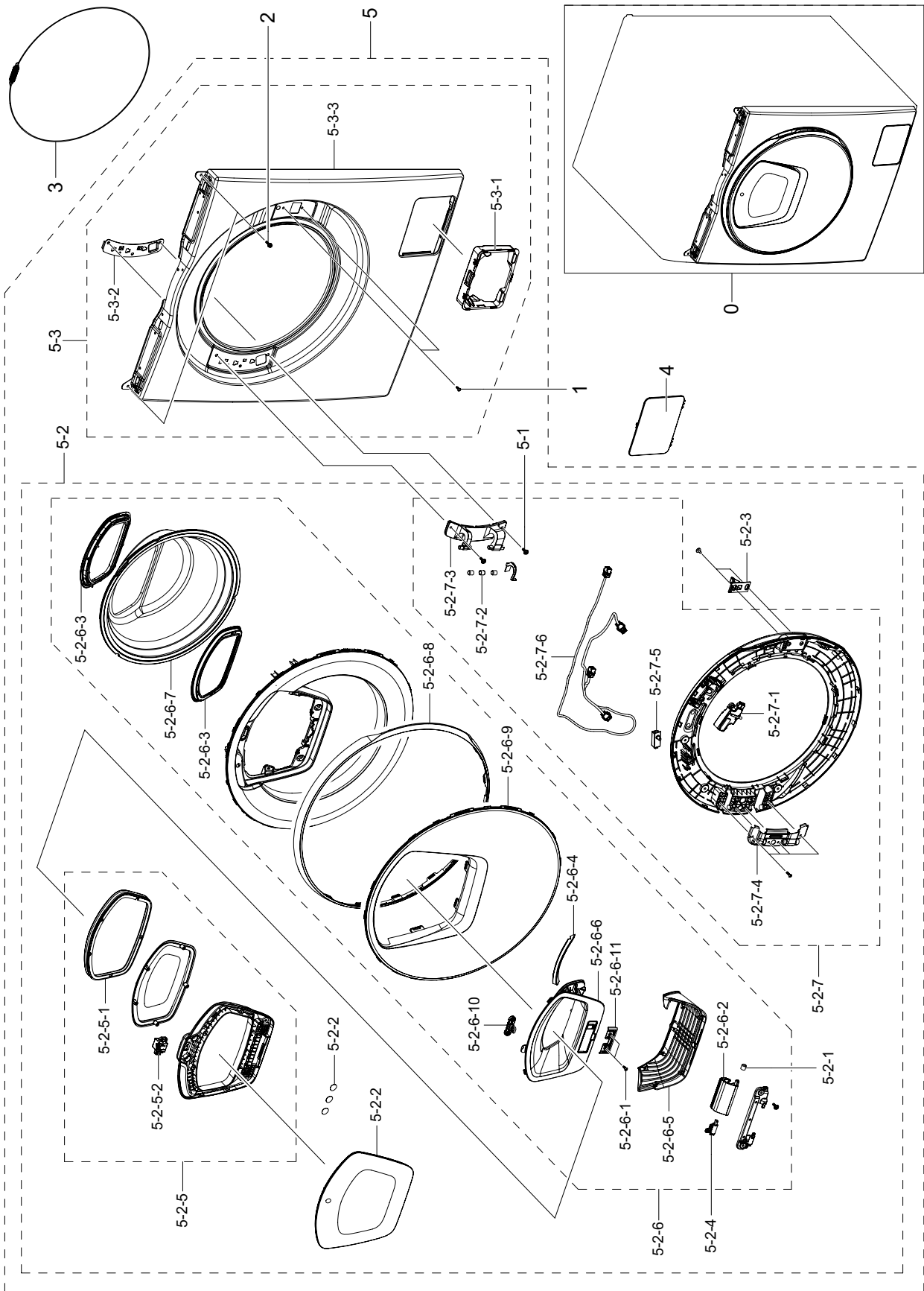
Drawing No.	Code No.	Description	Specification	QTY	Un	SA/ SNA
0		ASSY TUB & DRUM PARTS				
1	DC90-28603K	ASSY TUB FRONT PARTS	WD90T654DBH/S1	1	PC	SNA
1-1	6009-001367	BOLT-HEX	M6.5,L32,ZPC(WHT),HWH,+,SWRCH18	16	PC	SA
1-2	6011-003934	BOLT-HEX	M7.6,L48,ZPC(WHT),SCM 435,WASHE	6	PC	SNA
1-3	DC66-00343K	DAMPER SHOCK-MODULE	WF25B9600,PP,BLACK,-	2	PC	SA
1-4	DC97-16008B	ASSY WEIGHT BALANCER- LEFT MODULE	WW6500K	1	PC	SA
1-5	DC97-18524B	ASSY WEIGHT BALANCER- RIGHT MODULE	WW6500	1	PC	SA
1-6	DC97-18841G	ASSY TUB FRONT-MODULE	WD6000J	1	PC	SA
1-6-1	DC61-01932D	TUB FRONT	HEBA PJT,PP+GLF15%,NATURAL,8KG	1	PC	SA
1-6-2	DC97-15993A	ASSY HOSE CIRCULATION	SCOUT,WF0804Y8E,EP	1	PC	SA
1-6-2-1	DC65-00008B	CLAMPER HOSE	SSEC-GE,SK5,Dacromet,T1.0	8	PC	SA
1-6-3	DC97-16478J	ASSY TUB FRONT	SEINE COMBO,WD856UHSASD	1	PC	SNA
1-6-3-1	DC61-00158A	CLAMPER HOSE	SW65ASP,SK5,ID23,T0.8,-,-,-	2	PC	SA
1-6-3-2	DC65-60118R	CLIP RING	AEGIS-PJT,HSWR-SWRH,T3.0,ID37	1	PC	SA
1-6-3-3	DC67-00298A	HOSE AIR	HEBA PJT,EPDM,T2.5,BLACK	1	PC	SA
1-6-3-4	DC67-00674A	HOSE DRAWER TUB	SEINE COMBO,EPDM,ID34.9,	1	PC	SA
1-6-3-5	DC91-12077G	ASSY CLAMP DIAPHRAGM	AEGIS,WF8500NHW/YLP	1	PC	SA
1-6-3-6	DC97-14637G	ASSY HOSE PRESSURE	SCOUT COMBO,WD0804W8N	1	PC	SA
1-6-3-6-1	DC67-00293A	HOSE FILTER TUB	HEBA-PJT,EPDM,T2.5,BLACK	1	PC	SA
1-6-3-6-2	DC67-00598A	HOSE JOINT AIR	WD0804W8N1/YAH,PP,ID36.2,	1	PC	SA
1-6-4	DC97-18884A	ASSY DIAPHRAGM	WD6000J	1	PC	SNA
1-6-4-1	DC62-00349A	NOZZLE DIAPHRAGM	WF457ARGSGR,PP+TD30%,DA	1	PC	SA
1-6-4-2	DC64-03235A	DOOR DIAPHRAGM	WD6000J,EPDM,T1.5,EPDM,LI	1	PC	SA
2	DC90-30962A	ASSY DRUM PARTS	WD4000T,WD11T4046BX/AX	1	PC	SNA
2-1	6044-001172	RING-OG	ID28,OD33,T2.5,BLK,NBR	1	PC	SNA
2-2	DC60-00069A	SPACER	WR-HA139WA,STS304,-,-,-,D0,-	1	PC	SNA
2-3	DC97-23926A	ASSY DRUM-MODULE	HEBA63-C-WD10T504DBX/BG	1	PC	SA
2-3-1	DC60-40137A	BOLT HEX	MARS-PJT,STS430,-,L30,-,-,-,HEX	3	PC	SA
2-3-1	DC66-00493A	DRUM LIFTER	HEBA PJT,PP+TD20%,FC2210,GRA	3	PC	SA
2-3-3	DC97-14370H	ASSY FLANGE SHAFT	WD0804W8N1/YAH	1	PC	SC

MODEL CODE (WD90T654DBE/S3)

Service Bom (SA: SERVICE AVAILABLE, SNA: SERVICE NOT AVAILABLE)

Drawing No.	Code No.	Description	Specification	QTY	Un	SA/ SNA
3	DC90-28603G	ASSY TUB BACK PARTS	WD90T654DBH/S1	1	PC	SNA
3-1	6002-000445	SCREW-TAPPING	TH,+,NO,2,M4,L18,PASS,STS4	4	PC	SNA
3-2	6011-003728	BOLT-ETC	M12,L32,ZPC2,SWRCH10AK,WSP WASH	1	PC	SNA
3-3	6011-004528	BOLT-ETC	M6,L45,ZPC(WHT),HH,SOCKET,SCM43	6	PC	SA
3-4	DC32-00010C	SENSOR TEMP	L120,3.243kohm,2%,60C,9.8phi	1	PC	SA
3-5	DC47-00033B	HEATER WASH	AC230V,2000W,SUS316L,728mm,N	1	PC	SA
3-6	DC93-00993J	ASSY DUCT CONDENSER	U-PJT COMBO	1	PC	SA
3-6-1	DC65-00008B	CLAMPER HOSE	SSEC-GE,SK5,Dacromet,T1.0	8	PC	SA
3-6-2	DC67-00443A	HOSE CONDENSER	AEGIS-COMBO,EPDM,ID59,OD7	1	PC	SA
3-6-3	DC93-00129B	ASSY S.DUCT CONDENSER	BAIKAL-COMBO,WD702	1	PC	SA
3-6-4	DC62-00859A	SEAL CONDENSER	COMBO,EPDM,-,-,-,-,cond	1	PC	SA
3-7	DC93-00751A	ASSY DD BLDC MOTOR-MODULE	WD6500K,COM800	1	PC	SNA
3-7-1	DC97-20738A	ASSY STATOR	COM800,17.5	1	PC	SA
3-7-2	DC97-20739A	ASSY ROTOR	COM800,49.65,GI-SGCD	1	PC	SA
3-7-3	DC31-00098A	MOTOR BLDC-ASSY HALL SENSOR	COM1300,1200	1	PC	SA
3-8	DC97-14263A	ASSY BOLT	MOTOR/BOLT(M8)+WASHER(OD27.5),	2	PC	SA
3-9	DC97-16462C	ASSY TUB BACK-MODULE	Heba PJT,WD0804W8N1	1	PC	SA
3-9-1	DC62-00008A	SEAL OIL	NBR,-,-,BLACK,-,NBU	1	PC	SNA
3-9-2	DC97-16461C	ASSY TUB BACK	Heba PJT,WD0804W8N1/YAH	1	PC	SNA
3-9-2-1	DC61-02664B	BRACKET HEATER	HEBA,STS430,T0.5	1	PC	SA
3-9-2-2	DC69-01154A	PACKING-TUB	WF8804DP,EPDM,-,-,L1650	1	PC	SA
4	DC60-40144A	BOLT HEX	F500,SM10C,T10,L35,DAMPER	2	PC	SA

4. ASSY FRONT PARTS (WD90T654DBE/S3)



MODEL CODE (WD90T654DBE/S3)

Service Bom (SA: SERVICE AVAILABLE, SNA: SERVICE NOT AVAILABLE)

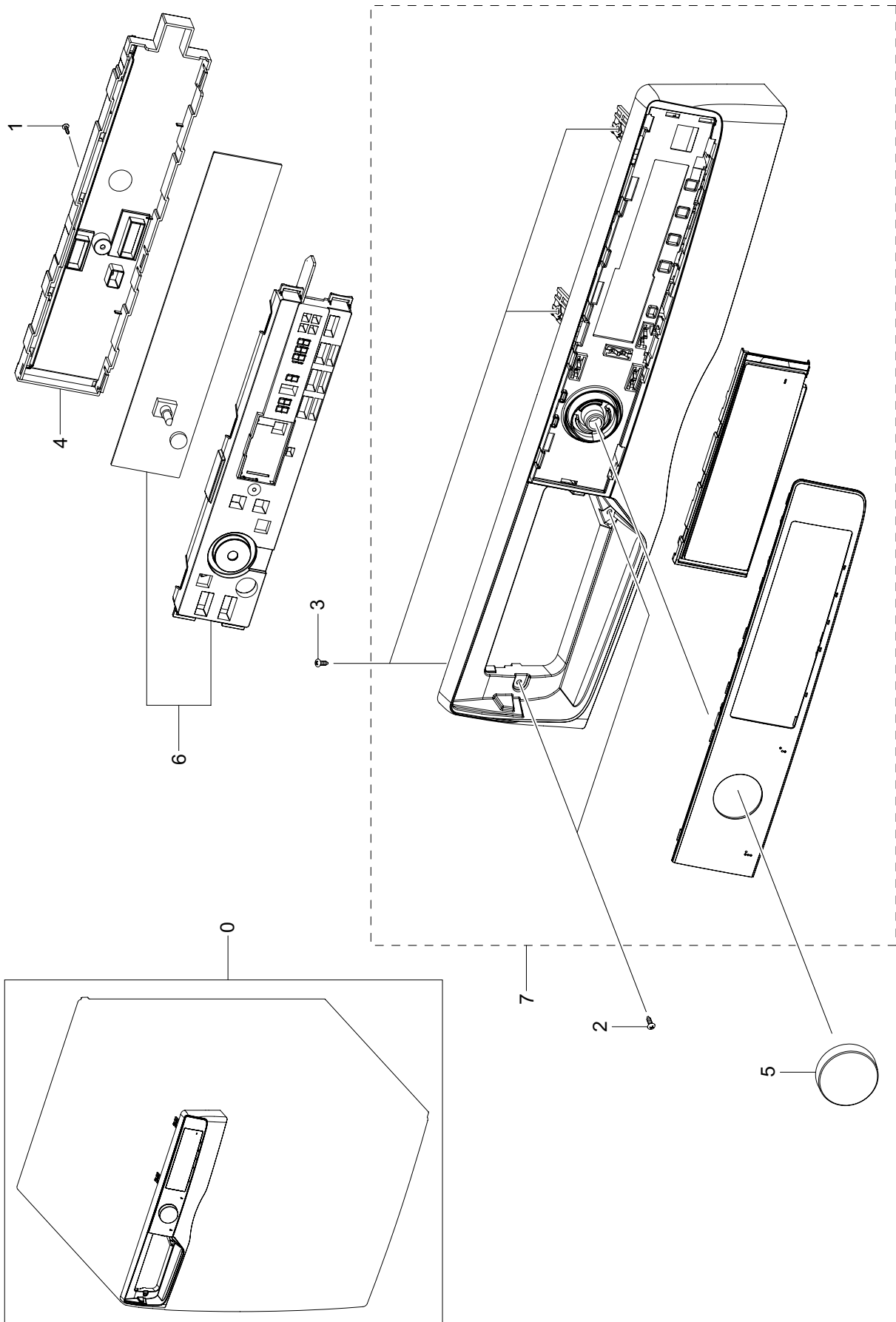
Drawing No	Code No.	Description	Specification	QTY	Un	SA/SNA
0	DC90-28603L	ASSY FRONT PARTS	WD90T654DBH/S1	1	PC	SNA
1	6002-001554	SCREW-TAPPING	BH,+,No,1,M4,L12,STS430,HE	2	PC	SNA
2	6006-001174	SCREW-TAPPING	TH,+,WT,2S,M4,L12,ZPC(WHT)	3	PC	SNA
3	DC91-12078E	ASSY WIRE DIAPHRAGM	AEGIS,WF8500NHW/YLP,	1	PC	SA
4	DC63-02831A	COVER FILTER	U-PJT,ABS,T2.5,DA WHITE,HG-	1	PC	SA
5	DC97-22329B	ASSY FRAME FRONT	U-PJT,WD90T654DBH/S1,WH	1	PC	SNA
5-1	6009-001522	SCREW-HEX	HWH,+,M5,L16,PASS,STS304,FP,SE	2	PC	SA
5-2	DC97-22267E	ASSY DOOR-MODULE	U-PJT,ADD WASHER,GRAND	1	PC	SA
5-2-1	DC61-00891A	GUIDE HINGE	HAUZEN(DOM),POM,-,K300,NAT	1	PC	SA
5-2-2	DC64-03303A	INLAY-DOOR	WD9500J,PET,T0.3,VERSAILLES G	5	PC	SA
5-2-2	DC64-03303A	INLAY-DOOR	WD9500J,PET,T0.3,VERSAILLES G	5	PC	SA
5-2-3	DC66-00375A	LEVER DOOR	10KG DRUM, U-PJT,ZNDC,T2.5,NI	1	PC	SC
5-2-4	DC66-00878A	DAMPER SHOCK-AXIS	WD9500JK,POM,NATURAL	1	PC	SA
5-2-5	DC97-19300A	ASSY HOLDER GLASS	WW7500K,WW90K7405OW/EG	1	PC	SA
5-2-5-1	DC62-00474A	SEAL DOOR	/,Si,Si/GY0039	1	PC	SA
5-2-5-2	DC97-19401A	ASSY LATCH	WW8500K	1	PC	SA
5-2-6	DC97-22273A	ASSY COVER DOOR	WW8000T,ADD WASHER,GRAND	1	PC	SA
5-2-6-1	6009-001522	SCREW-HEX	HWH,+,M5,L16,PASS,STS304,FP,SE	2	PC	SA
5-2-6-2	DC61-04133D	HINGE DOOR	ADD WASH,PA6+GF30%,-,VERSAILL	1	PC	SA
5-2-6-3	DC62-00475A	SEAL RUBBER	ADD WASH,Si,ADD WASH/Si/GY00	1	PC	SA
5-2-6-4	DC62-00477B	CAP	WW6/5/4600K,PP+TD30%,FC2305,VER SAILL	1	PC	SNA
5-2-6-5	DC63-01943A	COVER HOLDER	24" ADD WASH,ABS,HB,VERSAIL	1	PC	SA
5-2-6-6	DC63-01945B	COVER-ADD IN	WW8/7/6/5500K,PP+TD30%,-,-,	1	PC	SA
5-2-6-7	DC64-03390A	DOOR-GLASS	WW6500K,GLASS,T5,TRANSPARENT,	1	PC	SA
5-2-6-8	DC64-03949A	DECORATION COVER DOOR	DV90T5740BV,ABS,T2	1	PC	SA
5-2-6-9	DC64-03973A	DOOR SAFETY	U-PJT,MABS,T2.5,TX-0510,GRAN	1	PC	SA
5-2-6-10	DC66-01051A	LEVER-TIP	WW8000T,POM,T3.5,K300,BLACK,-	1	PC	SNA
5-2-6-11	DC61-04078A	SUPPORT HINGE	WD9500J,GI-SGCC,T1.4	1	PC	SA
5-2-6-12	DC62-00473A	SEAL CAP GUIDE	WW8/7/6/5500K,PP+TD30%,-,	1	PC	SA
5-2-7	DC97-22276B	ASSY HOLDER GLASS	WW8000T,ADD WASHER,VER	1	PC	SNA
5-2-7-1	DC34-00025D	SWITCH DOOR LOCK	DC12V,0.35	1	PC	SA
5-2-7-2	DC61-00891A	GUIDE HINGE	HAUZEN(DOM),POM,-,K300,NAT	1	PC	SA

MODEL CODE (WD90T654DBE/S3)

Service Bom (**SA**: SERVICE AVAILABLE, **SNA**: SERVICE NOT AVAILABLE)

Drawing No	Code No.	Description	Specification	QTY	Un	SA/SNA
5-2-7-3	DC61-04131A	HINGE DOOR	WW6/5500K,ALDC,T5,-,-,-,-	1	PC	SA
5-2-7-4	DC61-04134A	BRACKET HOLDER	WW6/5500K,GI-SGCC,T1.2,-,	1	PC	SA
5-2-7-5	DC64-00828G	SWITCH DOOR	AC125/250V,1.5/0.75A,1BUTTON	1	PC	SA
5-2-7-6	DC93-00884A	ASSY WIRE HARNESS-SUB	DRUM-M,WW80T754DBT	1	PC	SA
5-2-8	DC63-01942F	COVER DOOR	WW8000T,ABS,BLACK CAVIAR SOLI	1	PC	SA
5-3	DC97-22283C	ASSY FRAME FRONT-MODULE	WW8000T,WW90T654	1	PC	SA
5-3-1	DC61-05452A	GUIDE FILTER	WW90T754DBX/S6,PP,T2.5,RM60	1	PC	SA
5-3-2	DC61-01919B	BRACKET HINGE	WW6500K,GI-SGCC,T1.4,N/A	1	PC	SA
5-3-3	DC61-05186A	FRAME FRONT	WW6000,GI-SGCD,DA WHITE,T0.7	1	PC	SA

5. ASSY PANEL CONTROL PARTS (WD90T654DBE/S3)

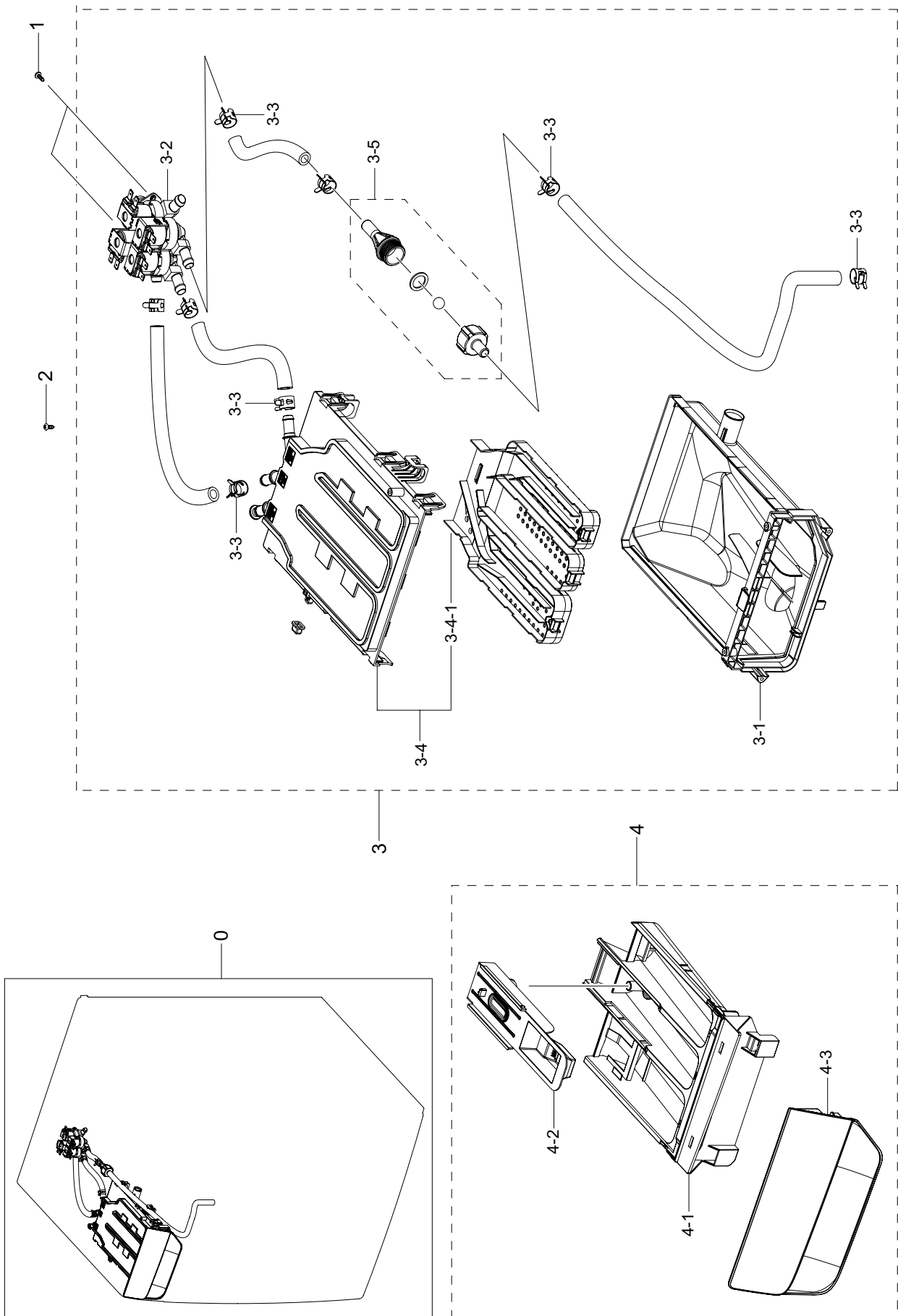


MODEL CODE (WD90T654DBE/S3)

Service Bom (SA: SERVICE AVAILABLE, SNA: SERVICE NOT AVAILABLE)

Drawing No	Code No.	Description	Specification	QTY	Un	SA/SNA
0	DC90-28637G	ASSY PANEL CONTROL PARTS	WD92T654CBE/S4	1	PC	SNA
1	6002-000213	SCREW-TAPPING	TH,+,1,M4,L12,ZPC(WHT),SWR	4	PC	SNA
2	6002-000445	SCREW-TAPPING	TH,+,NO,2,M4,L18,PASS,STS4	4	PC	SNA
3	6006-001174	SCREW-TAPPING	TH,+,WT,2S,M4,L12,ZPC(WHT)	3	PC	SNA
4	DC63-02571A	COVER PCB-SUB	DV90T5740BV,PP+TD30%,T2,HB	1	PC	SA
5	DC64-03921A	KNOB ENCODER	A1 SIMPLE,ABS,HB,NATURAL,CH	1	PC	SA
6	DC92-02642J	ASSY MODULE	FWM_Touch Display,WW6500T,8k	1	PC	SA
7	DC97-22155C	ASSY PANEL CONTROL-MODULE	GOOD DESIGN,WW	1	PC	SA

6. ASSY DRAWER PARTS (WD90T654DBE/S3)

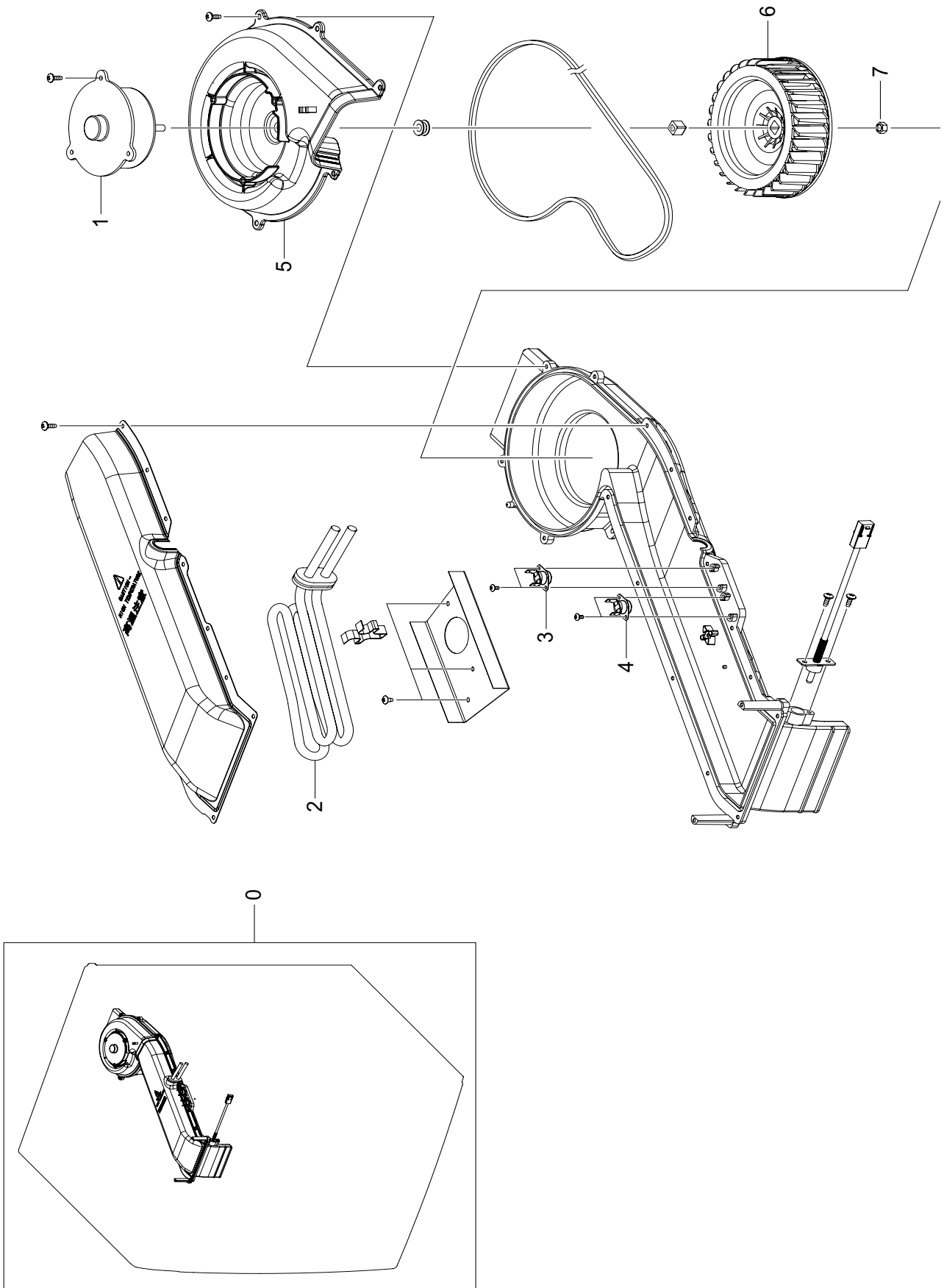


MODEL CODE (WD90T654DBE/S3)

Service Bom (**SA**: SERVICE AVAILABLE, **SNA**: SERVICE NOT AVAILABLE)

Drawing No.	Code No.	Description	Specification	QTY	Un	SA/SNA
0	DC90-28603E	ASSY DRAWER PARTS	WD90T654DBH/S1	1	PC	SNA
1	6003-000226	SCREW-TAPTYPE	SWRCH18A,ZPC(WHT),L8,M4,TH	2	PC	SNA
2	6006-001174	SCREW-TAPPING	TH,+,WT,2S,M4,L12,ZPC(WHT)	3	PC	SNA
3	DC97-22247B	ASSY HOUSING DRAWER-MODULE	U-PJT,HEBA 63	1	PC	SNA
3-1	DC61-02663A	HOUSING DRAWER-LOW	WW5000,PP+TD30%,T1.8,	1	PC	SA
3-2	DC62-00214T	VALVE WATER	DC12V,Bracket,mm,#250,1,4,0.	1	PC	SA
3-3	DC65-00008B	CLAMPER HOSE	SSEC-GE,SK5,Dacromet,T1.0	8	PC	SA
3-4	DC97-17347D	ASSY S.HOUSING DRAWER	F500, 8kg,NC0001	1	PC	SA
3-4-1	DC61-03474C	HOUSING DRAWER-MIDDLE	F500,PP+TD30%,-,NA	1	PC	SA
3-5	DC97-21031A	ASSY NOZZLE CONNECTOR	WD6800N	1	PC	SA
4	DC97-22250B	ASSY DRAWER-MODULE	U-PJT,WW6000T,DA WHITE	1	PC	SNA
4-1	DC61-03480A	BODY DRAWER	WF-F500E,PP+TD30%,DA WHITE,W	1	PC	SA
4-2	DC67-00669A	CAP RINSE	WF-F500E,PP+TD30%,MT43,HONESTY	1	PC	SA
4-3	DC64-03970B	HANDLE DRAWER	U-PJT,ABS,T3,HG-0760GP,DA	1	PC	SA

7.ASS'Y DUCT SCROLL (WD90T654DBE/S3)

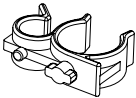

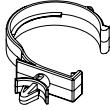
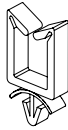
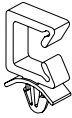
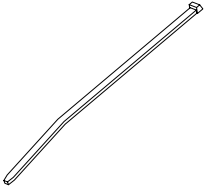


MODEL CODE (WD90T654DBE/S3)

Service Bom (**SA**: SERVICE AVAILABLE, **SNA**: SERVICE NOT AVAILABLE)

Drawing No.	Code No.	Description	Specification	QTY	Un	SA/SNA
0	DC93-00341C	ASSY DUCT SCROLL	WD7000J,9KG,220V	1	PC	SA
1	DC31-00032D	MOTOR BLDC FAN	DL-7806SSWC,2700rpm,24V,1	1	PC	SNA
2	DC47-00008F	HEATER DRY	AC230V,1600W,INCOLOY800,897mm	1	PC	SNA
3	DC47-00016B	THERMOSTAT	AC125/250V,25A,125,-35,S.O.D,	1	PC	SA
4	DC47-00016C	THERMOSTAT	AC125/250V,16A,125,-35,MANUAL	1	PC	SA
5	DC61-02527A	HOUSING FAN-UP REAR	AEGIS-COMBO,PA66+GF3	1	PC	SA
6	DC67-00904A	FAN DRY	PA66+GF30%,T2.0,HB,KN333G30,NA TU	1	PC	SA
7	6021-001868	NUT-HEXAGON	LEFT HAND SCREW,M6,STS304	1	PC	SA

8. SMALL PARTS (WD90T654DBE/S3)

				
1	2	3	4	5
				
6				

MODEL CODE: WD90T654DBE/S3

Service Bom (SA: SERVICE AVAILABLE, SNA: SERVICE NOT AVAILABLE)

NO.	Code No.	Description	Specification	InstPoint	QTY	Un	SA/ SNA
1	DC61-00133A	CLAMPER HOSE-FIX	P1291,PP,NATURAL,-,-,BJ	FRM+H- DRAIN+P-CODE	3	PC	SNA
2	DC61-00118A	CLAMP-CABLE	"P1291,PA66,ID27,OD30,NATURAL,-,-,NC0001"	H-DRAIN(O)+ FRAME	1	PC	SA
3	DC61-02879A	HOLDER WIRE	"WF8804CPA,PA,L58.6,NATURAL,2110R"	FRAME+HOSE(O)	1	PC	SNA
4	DC61-00553B	CABLE CLAMP	DAWS-3NE,PA66,NTR	-	1	PC	SNA
5	DC61-00553C	CABLE CLAMP	-,PA66,NTR	ASSY PANEL CONTROL	1	PC	SA
6	DC65-10001A	CABLE TIE	CT-140,T1.1,W3.5,L145,NTR,NYLON66	ASSY HOUSING DRAWER	2	PC	SNA
6	DC65-10001A	CABLE TIE	CT-140,T1.1,W3.5,L145,NTR,NYLON66	HEATER-DRY HARNESS	1	PC	SNA
6	DC65-10001A	CABLE TIE	CT-140,T1.1,W3.5,L145,NTR,NYLON66	C/HEATER+ THERMISTOR	1	PC	SNA

8. PARTS LIST (SCREW TYPE)

MODEL CODE (WD90T654DBE/S3)

Service Bom (SA: SERVICE AVAILABLE, SNA: SERVICE NOT AVAILABLE)

Code No.	Description	Specification	QTY	Un	SA/SNA
6002-000213	SCREW-TAPPING	TH,+,1,M4,L12,ZPC(WHT),SWR	4	PC	SNA
6002-000445	SCREW-TAPPING	TH,+,NO,2,M4,L18,PASS,STS4	4	PC	SNA
6003-001768	SCREW-TAPTYPE	TH,+,WT,S,M4,L10,ZPC(WHT),	2	PC	SNA
6006-001174	SCREW-TAPPING	TH,+,WT,2S,M4,L12,ZPC(WHT)	3	PC	SNA
6009-001343	SCREW-SPECIAL	PH,TORX,M4,L12,ZPC(WHT),SW	2	PC	SNA
DC97-14006C	ASSY SCREW	GRIFFIN-PJT,WF9904RWE,SWRCH18	2	PC	SNA
6002-001436	SCREW-TAPPING	PH,+,2,M4,L18,ZPC(WHT),SWR	6	PC	SNA
DC97-15858A	ASSY SCREW	trumph-PJT,WF-F1061/YLP,SWRCH	2	PC	SNA
6002-001327	SCREW-TAPPING	PWH,+,1,M4,L12,ZPC(WHT),SW	6	PC	SNA
6006-001174	SCREW-TAPPING	TH,+,WT,2S,M4,L12,ZPC(WHT)	3	PC	SNA
6002-001438	SCREW-TAPPING	HWH,+,NO,1,M5,L12,ZPC(WHT)	2	PC	SNA
6003-000226	SCREW-TAPTYPE	TH,+,-,S,M4,L8,ZPC(WHT),SW	2	PC	SNA
6006-001174	SCREW-TAPPING	TH,+,WT,2S,M4,L12,ZPC(WHT)	3	PC	SNA
6002-000445	SCREW-TAPPING	TH,+,NO,2,M4,L18,PASS,STS4	4	PC	SNA
6003-000226	SCREW-TAPTYPE	TH,+,-,S,M4,L8,ZPC(WHT),SW	2	PC	SNA
6006-001174	SCREW-TAPPING	TH,+,WT,2S,M4,L12,ZPC(WHT)	3	PC	SNA
6002-000213	SCREW-TAPPING	TH,+,1,M4,L12,ZPC(WHT),SWR	4	PC	SNA
6001-000516	SCREW-MACHINE	PH,+,-,M3,L10,ZPC(WHT),SWR	1	PC	SNA
6001-000115	SCREW-MACHINE	BH,+,M3,L10,ZPC(WHT),SWRCH	1	PC	SNA
6001-000115	SCREW-MACHINE	BH,+,M3,L10,ZPC(WHT),SWRCH	1	PC	SNA
6001-000115	SCREW-MACHINE	BH,+,M3,L10,ZPC(WHT),SWRCH	1	PC	SNA
6006-001174	SCREW-TAPPING	TH,+,WT,2S,M4,L12,ZPC(WHT)	3	PC	SNA
6002-001320	SCREW-TAPPING	TH,+,NO,2S,M4,L8,PASS,STS3	4	PC	SNA
6002-000445	SCREW-TAPPING	TH,+,NO,2,M4,L18,PASS,STS4	4	PC	SNA
6003-001768	SCREW-TAPTYPE	TH,+,WT,S,M4,L10,ZPC(WHT),	2	PC	SNA
6006-001174	SCREW-TAPPING	TH,+,WT,2S,M4,L12,ZPC(WHT)	3	PC	SNA
6002-000520	SCREW-TAPPING	TH,+,2,M4,L12,ZPC(WHT),SWR	1	PC	SNA
6002-001554	SCREW-TAPPING	BH,+,No,1,M4,L12,STS430,HE	2	PC	SNA
6002-001006	SCREW-TAPPING	TH,+,-,2S,M4,L12,PASS,STS4	3	PC	SNA
6002-000213	SCREW-TAPPING	TH,+,1,M4,L12,ZPC(WHT),SWR	4	PC	SNA
6002-000445	SCREW-TAPPING	TH,+,NO,2,M4,L18,PASS,STS4	4	PC	SNA
6002-001554	SCREW-TAPPING	BH,+,No,1,M4,L12,STS430,HE	2	PC	SNA

MODEL CODE (WD90T654DBE/S3)Service Bom (**SA**: SERVICE AVAILABLE, **SNA**: SERVICE NOT AVAILABLE)

Code No.	Description	Specification	QTY	Un	SA/SNA
6006-001174	SCREW-TAPPING	TH,+,WT,2S,M4,L12,ZPC(WHT)	3	PC	SNA
6009-001522	SCREW-HEX	HWH,+,M5,L16,PASS,STS430,FP,SE	2	PC	SA
6002-000213	SCREW-TAPPING	TH,+,1,M4,L12,ZPC(WHT),SWR	4	PC	SNA
6002-000444	SCREW-TAPPING	TH,+,2,M4,L14,PASS,STS430	4	PC	SNA
6002-001279	SCREW-TAPPING	PWH,+,1,M4,L12,PASS,STS430	2	PC	SNA
6002-001286	SCREW-TAPPING	FH,+,-,1,M4,L16,PASS,STS43	4	PC	SNA
6002-000630	SCREW-TAPPING	PH,+,2S,M3,L8,ZPC(WHT),SWR	7	PC	SNA
6002-000213	SCREW-TAPPING	TH,+,1,M4,L12,ZPC(WHT),SWR	4	PC	SNA
6002-000213	SCREW-TAPPING	TH,+,1,M4,L12,ZPC(WHT),SWR	4	PC	SNA
6002-000444	SCREW-TAPPING	TH,+,2,M4,L14,PASS,STS430	4	PC	SNA
6009-001522	SCREW-HEX	HWH,+,M5,L16,PASS,STS430,FP,SE	2	PC	SA
6002-000445	SCREW-TAPPING	TH,+,NO,2,M4,L18,PASS,STS4	4	PC	SNA
6002-000470	SCREW-TAPPING	TH,+,NO,1,M4,L10,ZPC(WHT),	2	PC	SNA
DE60-10080A	SCREW-TAPPING	PWH,+,2S,M5,L9,ZPC(WHT),SW	2	PC	SNA
6002-000213	SCREW-TAPPING	TH,+,1,M4,L12,ZPC(WHT),SWR	4	PC	SNA
6002-000445	SCREW-TAPPING	TH,+,NO,2,M4,L18,PASS,STS4	4	PC	SNA
6006-001174	SCREW-TAPPING	TH,+,WT,2S,M4,L12,ZPC(WHT)	3	PC	SNA