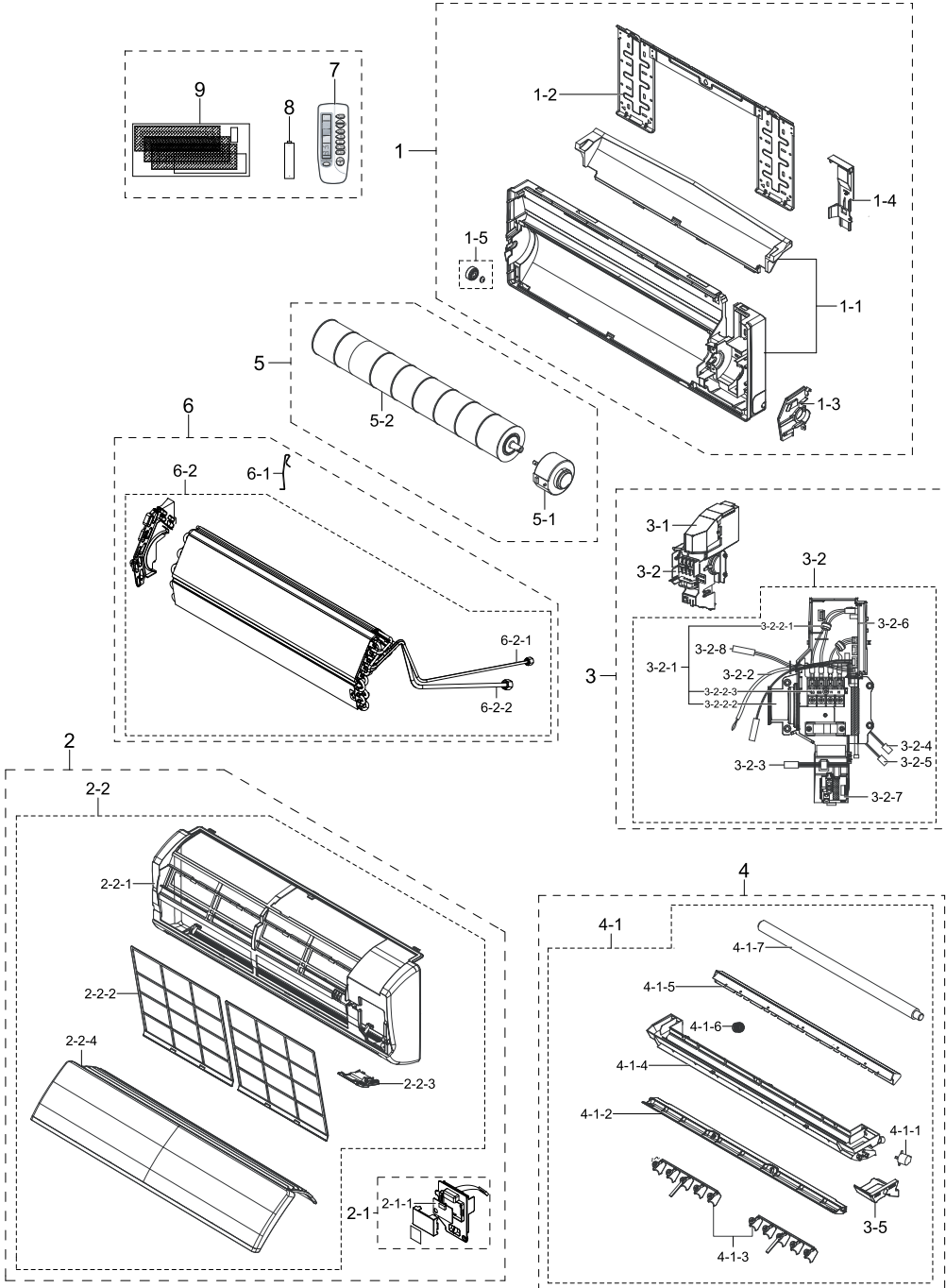


1. MH035FNEA

Exploded View



Parts List

No.	Lvl.	Loc.	Material Code	Description & Specification	SNA	Qty.
1	1	A0152	DB90-05686A	ASSY CABI IN PARTS; neoforte,SSEC	SNA	1
1-1	2	RO741	DB94-00454H	ASSY BACK BODY; E,Y,R22,LF & RH,EXPORT,SSEC	SA	1
1-2	2		DB97-02851D	ASSY-PLATE HANGER; VIVACE1/FORTE1,ssec	SNA	1
1-3	2	A1032	DB96-03149A	ASSY EVAP-SUPPORT RH; SS-PJT,SSEC	SA	1
1-4	2	H0286	DB61-01638B	HOLDER-PIPE; VIVACE1,HIPS,2.5,GRAY(SC-031	SA	1
1-5	2	A0120	DB94-00455B	ASSY-RUBBER BEARING; WW-PJT,CR,BLK SSEC	SA	1
2	1	A1698	DB92-01290A	ASSY PANEL FRONT PARTS; -,,-,-,-,-,R410A	SNA	1
2-1	2	E5020	DB90-03965F	ASSY COVER-TERMINAL; forte 1,eu	SA	1
2-1-1	3	C0119	DB93-04640C	ASSY PCB SUB; EIFFEL,SSEC	SA	1
2-2	2	A1698	DB92-01896P	ASSY PANEL FRONT; FORTE1,SSEC	SA	1
2-2-1	3	P0021	DB64-00989E	PANEL FRONT; FORTE,HIPS,2.5,285,822,-,WHI	SA	1
2-2-2	3	G0121	DB63-01591C	GUARD-AIR FILTER; FORTE1,PP,2.0,303.4,185	SA	2
2-2-3	3	RD137	DB90-03094A	ASSY COVER-DISPLAY; FORTE,SSEC	SA	1
2-2-4	3	A1203	DB92-01207B	ASSY GRILLE AIR INLET; FOTRE INV,SSEC	SA	1
3	1	A0696	DB93-06312A	ASSY CONTROL IN PARTS; HP,-,2KW,-,E,-,-,R	SNA	1
3-1	2	A0748	DB90-02167B	ASSY COVER-CONTROL IN; WW1-PJT,SSEC	SA	1
3-2	2	A0696	DB93-06025G	ASSY CONTROL IN; HP,INV,Y,OUT,FJM FORT1,S	SNA	1
3-2-1	3		DB90-07343A	ASSY CASE-CONTROL IN; SYS INDOOR_Forte1	SNA	1
3-2-2	3	A2744	DB95-01990C	ASSY THERMISTOR IN; SAC,SSEC	SA	1
3-2-2-1	4	C0936	DB39-01107B	CONNECT WIRE-POWER; FJM PLUS,AWG 18,UL100	SA	1
3-2-2-2	4	C0247	DB61-01637C	CASE-CONTROL IN; MH020FNBA,ABS,T2.0,156,2	SA	1
3-2-2-3	4	A2816	DB65-00176C	TERMINAL BLOCK; MINI-DVM,PBT,4-TAB_4-SCRE	SA	1
3-2-3	3	C1070	DB93-04832A	ASSY CONNECTOR WIRE; FORTE2-PJT,UL1007 28	SA	1
3-2-4	3	C1070	DB93-05903A	ASSY CONNECTOR WIRE; 2,1007,24,RED,SMH200	SA	1
3-2-5	3	C1070	DB93-05903B	ASSY CONNECTOR WIRE; 2,1007,24,BRN,SMH200	SA	1
3-2-6	3	A1756	DB93-09456E	ASSY PCB MAIN-IN; FJM NEO-FORT 1,N	SC	1
3-2-7	3	A0694	DB93-10977A	ASSY PCB SUB-DISPLAY; dvm,dvm,N	SA	1
3-2-8	3	T0040	DB95-01985A	ASSY THEMISTOR; SAC,SSEC	SA	1
3-5	3	E5134	DB69-00839A	CUSHION-TRAY RH; SS-P/J,EPS,30X,WHITE,RAC	SNA	1
4	1	A0915	DB94-01147A	ASSY DRAIN PARTS; -,,-,-,-,-,EXPORT,SSEC	SNA	1

No.	Lvl.	Loc.	Material Code	Description & Specification	SNA	Qty.
4-1	2	A2303	DB94-00457M	ASSY TRAY DRAIN; WHITE,RH,1M,Y,R22,-,EXPO	SA	1
4-1-1	3	M0045	DB31-00371A	MOTOR STEP; 1step 5.625°/64,DC12V,650gf.	SA	1
4-1-2	3	B0147	DB61-01635C	BLADE-H; FORTE,HIPS,SC-06106R,650.5*56*22	SA	1
4-1-3	3	B0179	DB61-01636A	BLADE-V; SS-P/J,PP,BLK,-,SSEC	SA	2
4-1-4	3	T0071	DB63-00848A	TRAY DRAIN; SS-P/J,ABS,BLACK,SSEC	SNA	1
4-1-5	3	E5148	DB63-00849A	TRAY-STABILIZER; SS-PJT,ABS,BLACK,SSEC	SNA	1
4-1-6	3	R0097	DB73-00180B	RUBBER-CAP DRAIN; all moel,NR,D22,40,40,R	SA	1
4-1-7	3	A0912	DB94-00458D	ASSY HOSE DRAIN; VIVALDI-PJT,SSEC	SA	1
5	1	A1072	DB94-01234A	ASSY FAN IN PARTS; AQV09FAN,SSEC	SNA	1
5-1	2	M0039	DB31-00219A	MOTOR FAN; 60/50Hz,220/240V	SC	1
5-2	2	A0821	DB94-00456A	ASSY-CROSS FAN; SS-PJ,SSEC	SA	1
6	1	A1008	DB96-07599A	ASSY EVAP PARTS; MH023FVEA,FJM SSEC	SNA	1
6-1	2	S0224	DB67-60030A	SPRING-SENSOR; WW2-PJT,STS301,0.4,T0.4,W2	SA	2
6-2	2	A1008	DB96-07613A	ASSY EVAP-TOTAL; MH023FVEA,SSEC FJM	SA	1
6-2-1	3	A2355	DB96-07585A	ASSY TUBE EVAP IN; VIVACE 1,FJM SSEC	SA	1
6-2-2	3	A2356	DB96-07588A	ASSY TUBE EVAP OUT; VIVACE 1,FJM SSEC	SA	1
7	3	R0043	DB93-03170Z	ASSY REMOCON; Forte English H/P(good"slee	SA	1
8	3		4301-000121	BATTERY-MN; 1.5V,R03,10.5x44.5m,7.5g,AAA	SNA	2
9	3	A0316	DB95-00367B	ASSY-FILTER BIO; SH12ZSG,	SA	1