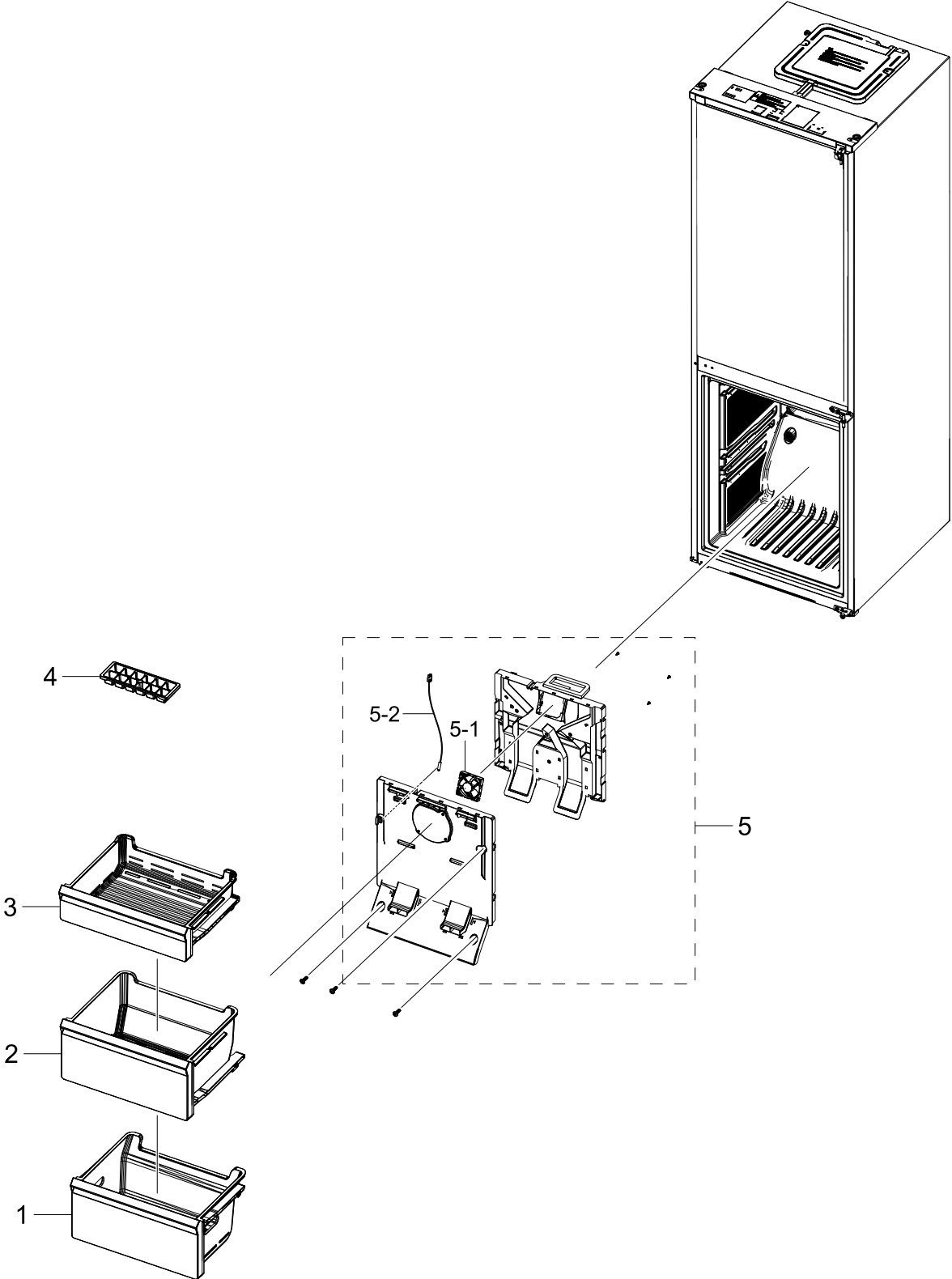


1. FREEZER

FREEZER

Exploded View



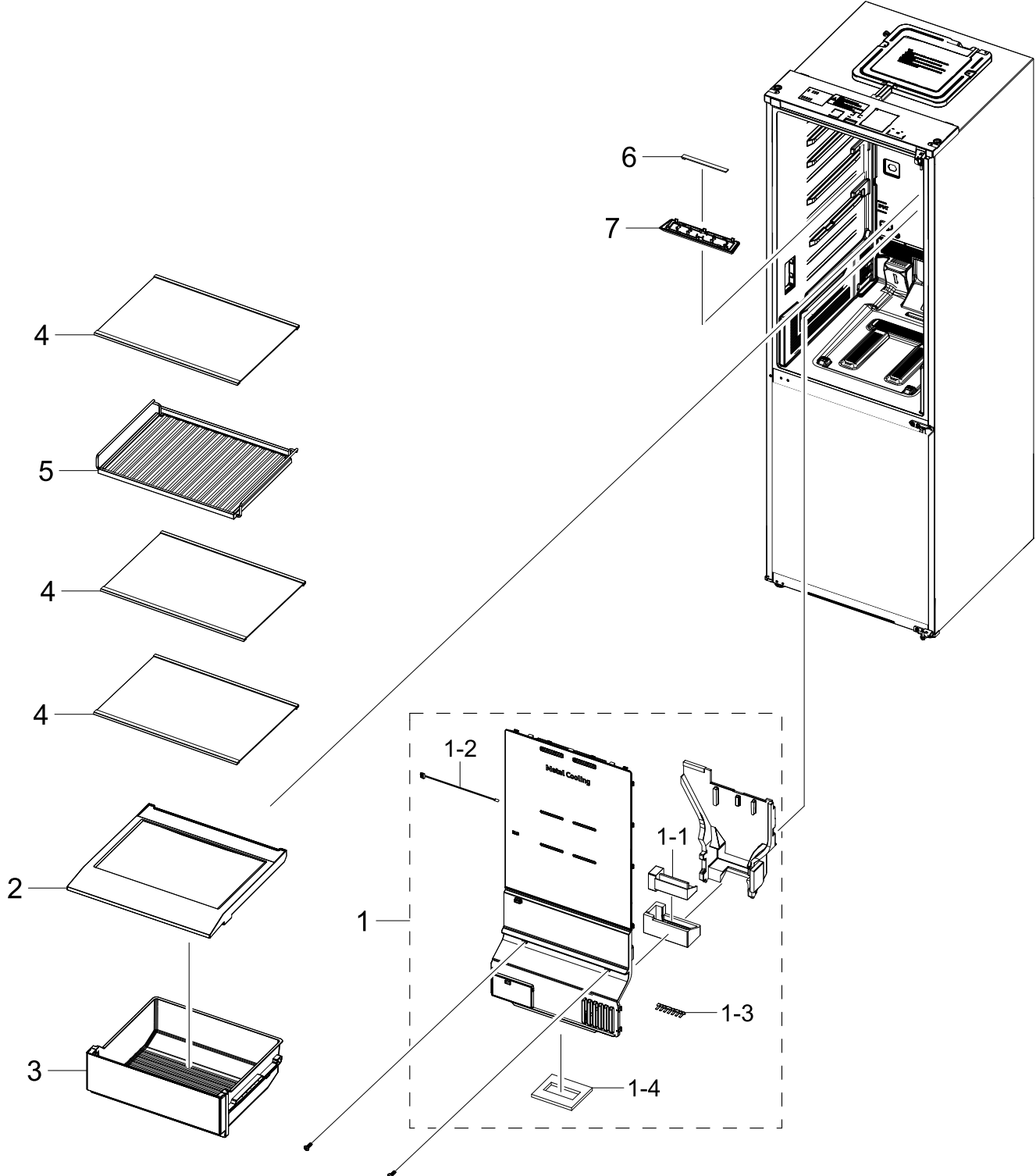
Parts List

| No. | Lvl. | Loc. | Material Code | Description & Specification | SNA | Qty. |
|-----|------|-------|---------------|--|-----|------|
| 1 | 2 | G0267 | DA97-21136A | ASSY TRAY-FRE LOW DRAWER MODULE; RB7300T, | SA | 1 |
| 2 | 2 | | DA97-21135A | ASSY TRAY-FRE MIDDLE DRAWER MODULE; RB730 | SA | 1 |
| 3 | 2 | M0483 | DA97-21134A | ASSY TRAY-FRE UP DRAWER MODULE; RB7300T,T | SA | 1 |
| 4 | 2 | | DA67-40146A | TRAY ICE-ICE MODULE; RB7300T,PP,T1.5,HB,N | SNA | 1 |
| 5 | 2 | M0303 | DA97-19096B | ASSY COVER EVAP-FRE; 3050-BMF,BOX FAN | SA | 1 |
| 5-1 | 3 | | DA31-00338C | MOTOR BLDC FAN; U92C12MS1B3-52K094/09232J | SA | 1 |
| 5-2 | 3 | A1018 | DA32-10105X | SENSOR TEMP; QUEEN PJT,-40~120°C,5V,F-SE | SA | 1 |

2. FRIDGE

FRIDGE

Exploded View



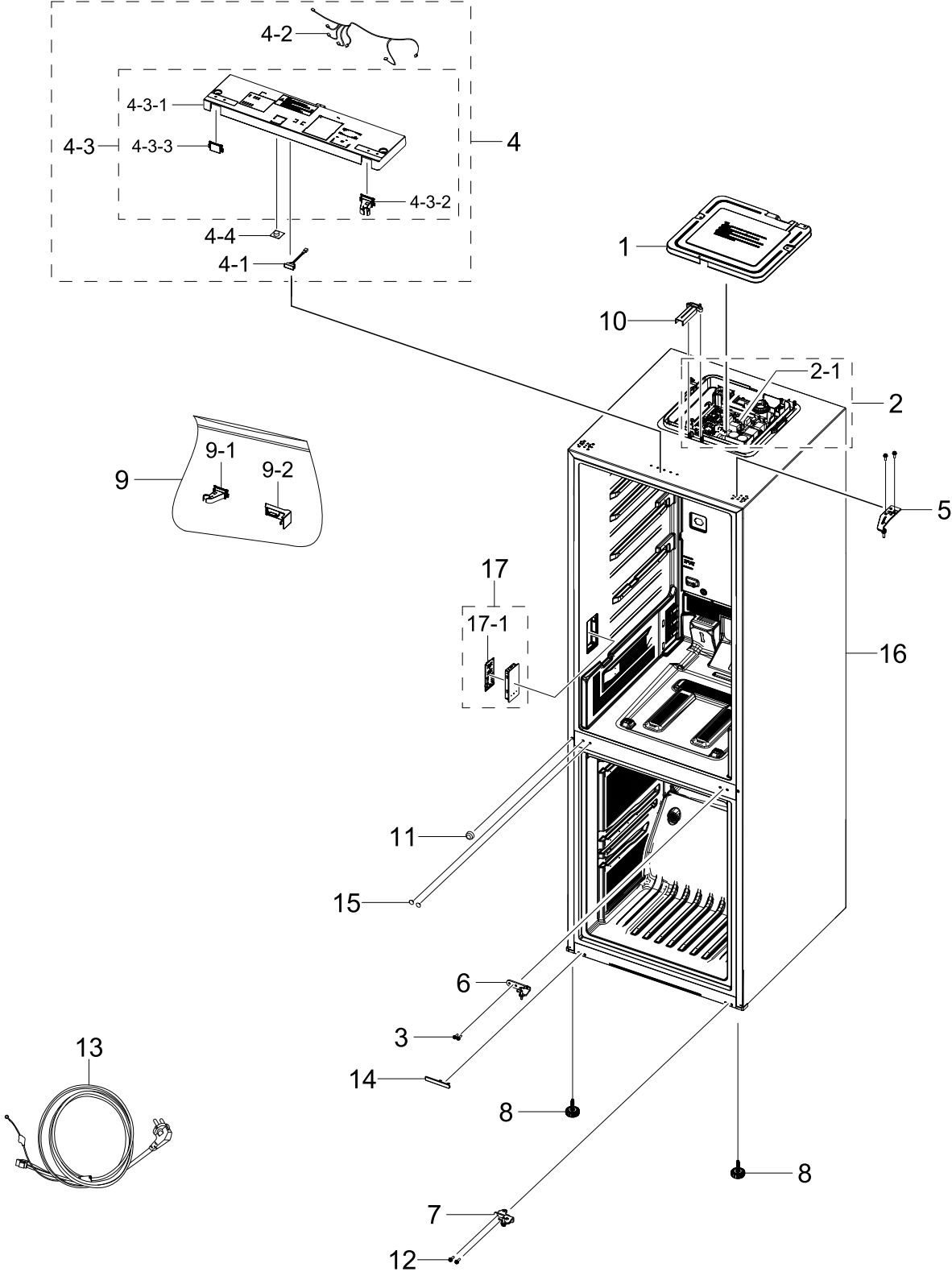
Parts List

| No. | Lvl. | Loc. | Material Code | Description & Specification | SNA | Qty. |
|-----|------|-------|---------------|--|-----|------|
| 1 | 2 | G0239 | DA97-21142C | ASSY COVER MULTI-REF MULTI MODULE; RB7300 | SA | 1 |
| 1-1 | 3 | | DA31-00333C | MOTOR GEARED DC DAMPER; NSBA001TN1,375rpm | SA | 1 |
| 1-2 | 3 | A1018 | DA32-00070D | SENSOR TEMP; SC41199-021A,L900,13.2kohm,2 | SA | 1 |
| 1-3 | 3 | | DA61-11032A | FIXER; RT5000K,PA66,WHITE,KN3322V0,7P Ret | SA | 1 |
| 1-4 | 3 | | DA62-05494A | SEAL INS MULTI-REF LOW; RB7300T,PE OPEN C | SA | 1 |
| 2 | 2 | | DA97-21138A | ASSY SHELF-VEG LOW SHELF MODULE; RB7300T | SA | 1 |
| 3 | 2 | M0300 | DA97-21133C | ASSY CASE VEG-LOW DRAWER MODULE; RB7300T, | SA | 1 |
| 4 | 2 | | DA97-13502D | ASSY SHELF-GLASS REF SHELF MODULE; RL31/2 | SA | 3 |
| 5 | 2 | | DA97-21091A | ASSY SHELF WIRE-SHELF MODULE; RB7300T,WIN | SA | 1 |
| 6 | 2 | | DA96-01119A | ASSY LAMP LED; 3EA,FR-4,150*12,WHITE,SMAW | SA | 1 |
| 7 | 2 | | DA97-21569A | ASSY COVER LAMP; RB7300T,COVER LAMP, ASSY | SA | 1 |

3. CABINET

CABINET

Exploded View



Parts List

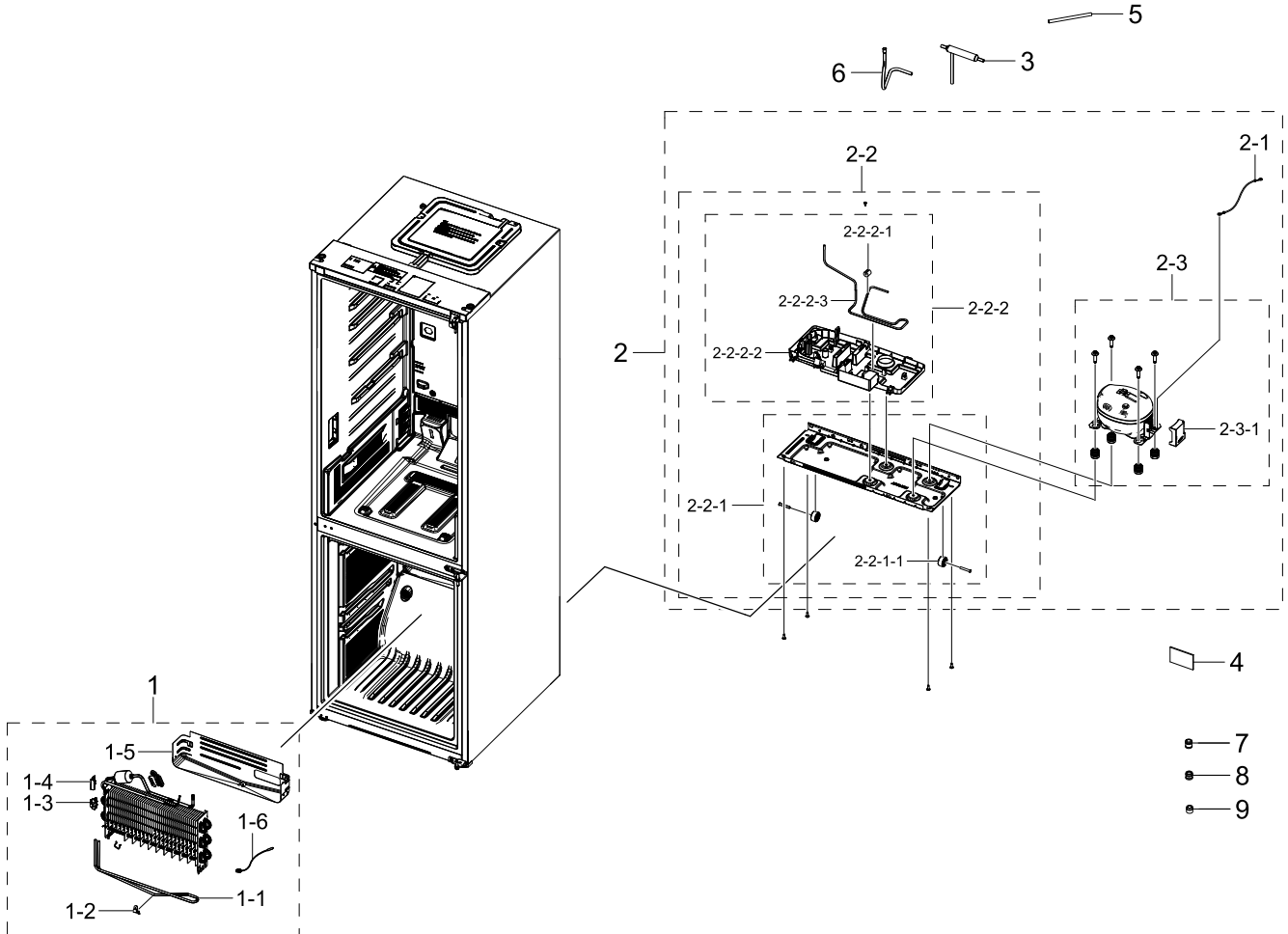
| No. | Lvl. | Loc. | Material Code | Description & Specification | SNA | Qty. |
|-------|------|-------|---------------|--|-----|------|
| 1 | 2 | | DA97-21372A | ASSY COVER PBA-MAIN; RB7300T,GI-SGCC,T0.4 | SA | 1 |
| 2 | 1 | | DA94-05464H | ASSY PCB EEPROM; 0x47,D602,D603,D607,RB73 | SA | 1 |
| 2-1 | 2 | A0952 | DA92-01296A | ASSY PCB MAIN; MONO COOLING,RB7300T,160*1 | SNA | 1 |
| 3 | 2 | A0564 | DA60-10123C | BOLT-HEX; M6,L24,ZPC(WHT),SWRCH18A,HWH He | SA | 2 |
| 4 | 2 | A1288 | DA97-21246G | ASSY TOP TABLE; RB7300T,SNOW WHITE,Intern | SA | 1 |
| 4-1 | 3 | | DA34-00043J | SWITCH REED; UL1007 AWG 22,50mm | SA | 1 |
| 4-2 | 3 | | DA96-01418B | ASSY WIRE HARNESS-TOP; RB7300T, Mono,INTE | SA | 1 |
| 4-3 | 3 | | DA97-22073C | ASSY TOP TABLE-FRONT; RB7300T,SNOW WHITE | SA | 1 |
| 4-3-1 | 4 | A1109 | DA64-06305C | TOP TABLE; RB7300T,ABS,SNOW WHITE | SA | 1 |
| 4-3-2 | 4 | | DA63-09846C | COVER WIRE-HINGE RIGHT; RB7300T,ABS,T1.2, | SA | 1 |
| 4-3-3 | 4 | | DA67-05048C | CAP HINGE; RB7300T,ABS,T2,HB,HG-0760GP,SN | SA | 1 |
| 4-4 | 3 | | DA92-00817A | ASSY MODULE; BUZZER PBA,RB6000K,Standard | SA | 1 |
| 5 | 2 | | DA97-21173A | ASSY HINGE-UP; RB7300T,4T,BLACK | SA | 1 |
| 6 | 2 | | DA97-21646A | ASSY HINGE-MIDDLE; RB7300T,T4.5,BLACK | SA | 1 |
| 7 | 2 | M0344 | DA97-21632A | ASSY HINGE-LOW; RB7300T,T4,BLACK | SA | 1 |
| 8 | 2 | Z1128 | DA61-07546B | LEG-FRONT; GRAND CRU,PP,BLACK,-,P-002HB,R | SA | 2 |
| 9 | 2 | | DA91-05341F | ASSY INSTALL-REVERSIBLE KIT; RB7300T,SNOW | SA | 1 |
| 9-1 | 3 | | DA63-09847C | COVER WIRE-HINGE LEFT; RB7300T,ABS,T1.2,H | SA | 1 |
| 9-2 | 3 | | DA67-05050C | CAP SPACE-DOOR RIGHT; RB7300T,ABS,T1.5,HB | SA | 1 |
| 10 | 2 | | DA63-09844C | COVER WIRE-CABI; RB7300T,ABS,T2,HB,SNOW W | SA | 1 |
| 11 | 2 | A0270 | DA67-30218R | CAP SCREW; PP,T1,HB,BJ750,SNOW WHITE,SNOW | SA | 1 |
| 12 | 2 | A0564 | 6011-001546 | BOLT-HEX; M5(P0.8),L16,ZPC(WHT),HWH,+,SWR | SA | 2 |
| 13 | 2 | A0273 | 3903-001015 | POWER CORD-AT; H05VV-F 3x0.75mm2,BLK,EU3F | SA | 1 |
| 14 | 2 | | DA67-05095A | CAP SCREW-A; RB7300T,ABS,T1.5,GP-35,COOL | SA | 1 |
| 15 | 2 | | DA67-04049A | CAP HINGE-HOLE; BK,ABS,T2,HB,GP-35,SNOW W | SA | 2 |
| 16 | 2 | A0137 | DA94-05432M | ASSY LINER; RB7300T,RB34,Internal Display | SNA | 1 |

| No. | Lvl. | Loc. | Material Code | Description & Specification | SNA | Qty. |
|------|------|-------|---------------|--|-----|------|
| 17 | 2 | A0626 | DA97-21005A | ASSY COVER CONTROL; RB7300T,WHITE,INNER, | SA | 1 |
| 17-1 | 3 | | DA92-01298A | ASSY MODULE; LED DISPLAY,RB7300T,INNER,WH | SNA | 1 |

4. CYCLE

CYCLE

Exploded View



Parts List

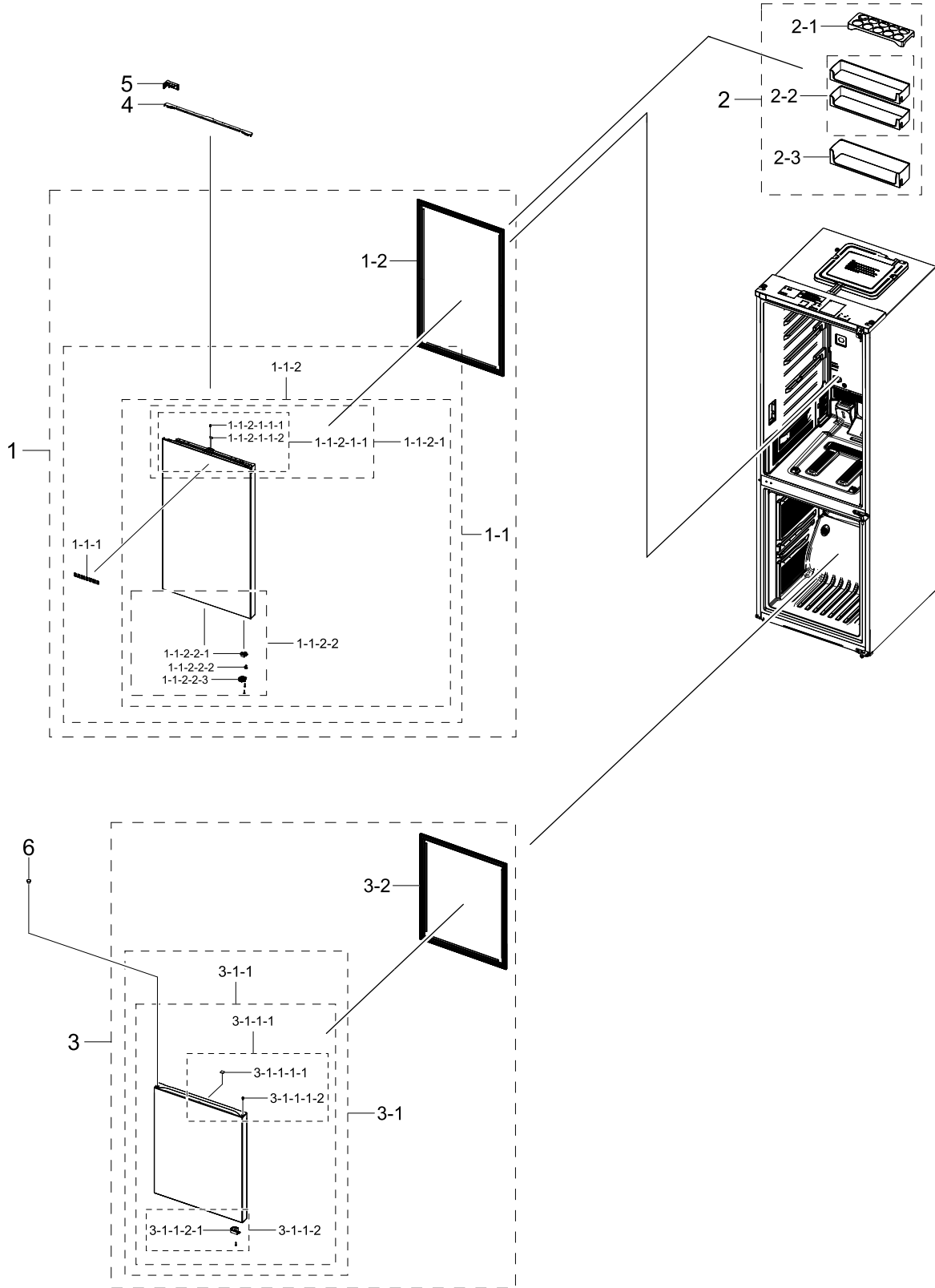
| No. | Lvl. | Loc. | Material Code | Description & Specification | SNA | Qty. |
|-----|------|-------|---------------|---|-----|------|
| 1 | 2 | A0163 | DA96-01009F | ASSY EVAP-FRE EVAP MODULE; RB7300, 3050,2 | SA | 1 |
| 1-1 | 3 | | DA47-00507E | HEATER METAL SHEATH; AC230V,377.9ohm,140W | SNA | 1 |
| 1-2 | 3 | M9010 | DA61-03644A | PLATE-EVAP HEATER; AW-PJT,AI,T0.7 | SA | 1 |
| 1-3 | 3 | G0205 | DA61-04921B | FIXER-HEATER FRE; HERMES-PJT,PP,-,NATURAL | SA | 1 |
| 1-4 | 3 | A0744 | DA61-07411A | FIXER-FUSE; NW2,PP,NATURAL,BJ750 | SA | 1 |
| 1-5 | 3 | A0754 | DA61-08936A | PLATE-DRAIN; 3050,GI-SGCC,T0.3,-,-,-,- | SA | 1 |
| 1-6 | 3 | A1018 | DA32-00006D | SENSOR TEMP; F DEF-SENSOR,L250,200kohm,1% | SNA | 1 |
| 2 | 2 | | DA97-21454J | ASSY COMP N CONDENSING; RB7300T,,E GRADE | SNA | 1 |

| No. | Lvl. | Loc. | Material Code | Description & Specification | SNA | Qty. |
|---------|------|-------|---------------|---|-----|------|
| 2-1 | 3 | A0562 | DA39-20389A | ASSY WIRE HARNESS-EARTH; EARTH,ALL,FREE V | SA | 1 |
| 2-2 | 3 | | DA97-21380A | ASSY CHASSIS; RB7300T,PIPE IMMERSING | SNA | 1 |
| 2-2-1 | 4 | A0526 | DA97-21174A | ASSY CHASSIS COMP; RB7300T,GI-SGCC,T0.8,C | SA | 1 |
| 2-2-1-1 | 5 | A0527 | DA61-06202A | CASTER-REAR; GRAND-CRU,PP,NATURAL | SA | 2 |
| 2-2-2 | 4 | A0529 | DA97-21176A | ASSY TRAY DRAIN WATER; RB7300T,No fan, No | SNA | 1 |
| 2-2-2-1 | 5 | M0333 | DA63-40171B | GROMMET-SUCT PIPE A; NBR,ID4,OD20 | SC | 1 |
| 2-2-2-2 | 5 | | DA97-21381A | ASSY TRAY DRAIN WATER-SUB; RB7300T | SA | 1 |
| 2-2-2-3 | 5 | | DA62-05493A | PIPE IMMERSING-IN; RB7300T,TSW,OD4.76,T0. | SA | 1 |
| 2-3 | 3 | | NI34T9102ADAK | CMP,COMP,REFRIGERATOR,R600A; CMP,COMP,REFRIGERATOR,R600A | | 1 |
| 2-3-1 | 4 | Z1032 | DA63-09465A | COVER RELAY; S3,PC,T2,5VB,BLACK,EF1006F | SNA | 1 |
| 3 | 2 | A0669 | DA62-04309C | DRYER; C1220T-H,L118,SINGLE MOUTH,For Cap | SA | 1 |
| 4 | 2 | | DA72-60040W | SEAL-CUTT RUBBER; TD-PJT,RUBBER,T5,W35,L3 | SA | 1 |
| 5 | 2 | A0523 | DA73-10190U | PIPE-CONNECT DISC,B; ALL,C1220T,Cu,OD6.35 | SA | 1 |
| 6 | 2 | | DA62-05500A | PIPE CONNECT-SUCTION; RB7300T,Cu,OD6.35,T | SA | 1 |
| 7 | 2 | | DA60-00279A | FITTING LOCK RING; SUM23,-,SILVER,-,16, | SA | 1 |
| 8 | 2 | | DA60-00280A | FITTING-LOKRING 33; SUM23,ID3/16,33, 11SM | SA | 1 |
| 9 | 2 | | DA60-00281A | FITTING LOCK SLEEVE; SUM23,ID5.02,11SMnPb | SA | 1 |

5. ASSY DOOR

ASSY DOOR

Exploded View



Parts List

| No. | Lvl. | Loc. | Material Code | Description & Specification | SNA | Qty. |
|-------------|------|-------|---------------|--|-----|------|
| 1 | 2 | | DA97-21621K | ASSY DOOR SUB-REF DOOR MODULE; RB7300T,RB | SNA | 1 |
| 1-1 | 3 | Z1100 | DA91-05333P | ASSY DOOR FOAM-REF; RB7300T,WW(SNOW WHITE | SA | 1 |
| 1-1-1 | 4 | M0196 | DA64-04020C | MASCOT; ALL,Ni,T0.06,L80 | SA | 1 |
| 1-1-2 | 4 | | DA97-21312J | ASSY PLATE DOOR-REF; RB7300T,RB34,IN-CONT | SNA | 1 |
| 1-1-2-1 | 5 | | DA97-21210F | ASSY CAP DOOR-REF UP; RB7300T,SNOW WHITE, | SNA | 1 |
| 1-1-2-1-1 | 6 | | DA97-21605F | ASSY CAP DOOR-REF UP; RB7300T,SNOW WHITE, | SNA | 1 |
| 1-1-2-1-1-1 | 7 | | DA67-02795C | CAP-SHAFT HOLE; AW3,ABS,HG-0760GP,SNOW WH | SA | 1 |
| 1-1-2-1-1-2 | 7 | | DA63-07545A | GROMMET HINGE-MIDDLE; FOOD SHOWCASE,PA66+ | SA | 1 |
| 1-1-2-2 | 5 | A0048 | DA97-21211D | ASSY CAP DOOR-REF LOW; RB7300T,SNOW WHITE | SNA | 1 |
| 1-1-2-2-1 | 6 | A0640 | DA61-14266A | STOPPER DOOR; RB7300T, METAL,PO-SPHC,T4,A | SA | 1 |
| 1-1-2-2-2 | 6 | | DA63-09976A | GROMMET DOOR-REF; RB7300T,POM,BLACK,-,K30 | SA | 1 |
| 1-1-2-2-3 | 6 | | DA66-01480A | LEVER AUTO CLOSE; RB7300T,POM,T1.8,K300,B | SA | 1 |
| 1-2 | 3 | | DA97-23536F | ASSY GASKET; RB7300,GRAY,No Sub-gasket,RB | SA | 1 |
| 2 | 1 | A0166 | DA90-12422D | ASSY GUARD; RB7300T,RB34,TP Blue,REF UP(2 | SNA | 1 |
| 2-1 | 2 | A0656 | DA63-06221A | TRAY EGG; RF9000A,GPPS,T2.5,TP BLUE | SA | 1 |
| 2-2 | 2 | M0447 | DA63-09799A | GUARD-REF UP DOOR BIN MODULE; RB7300T,GPP | SA | 2 |
| 2-3 | 2 | A0151 | DA63-09802A | GUARD-BOTTLE DOOR BIN MODULE; RB7300T,GPP | SA | 1 |
| 3 | 2 | | DA97-21618K | ASSY DOOR SUB-FRE DOOR MODULE; RB7300T,RB | SNA | 1 |
| 3-1 | 3 | M0063 | DA91-05342J | ASSY DOOR FOAM-FRE; RB7300T,WW(SNOW WHITE | SA | 1 |
| 3-1-1 | 4 | | DA97-21234D | ASSY PLATE DOOR-FRE; RB7300T,RECESS,SNOW | SNA | 1 |
| 3-1-1-1 | 5 | | DA97-21212C | ASSY CAP DOOR-FRE UP; RB7300T,SNOW WHITE, | SNA | 1 |
| 3-1-1-1-1 | 6 | A0534 | DA61-03769B | MAGNET; SVETA,FERRITE,1600Gauss | SA | 1 |
| 3-1-1-1-2 | 6 | A0827 | DA63-08059A | GROMMET HINGE; BK65,60,PA66+GF15%,BLACK,- | SA | 1 |
| 3-1-1-2 | 5 | A0047 | DA97-21213A | ASSY CAP DOOR-FRE LOW; RB7300T,BLACK | SNA | 1 |
| 3-1-1-2-1 | 6 | | DA66-01445A | LEVER AUTO CLOSE; RB7300T,POM,T1.8,K300,B | SA | 1 |

Exploded Views and Parts List

| No. | Lvl. | Loc. | Material Code | Description & Specification | SNA | Qty. |
|-----|------|------|---------------|--|-----|------|
| 3-2 | 3 | | DA97-23537B | ASSY GASKET-FRE; RB7300,GRAY,No Sub-gaske | SA | 1 |
| 4 | 2 | | DA63-09843C | COVER WIRE-DOOR; RB7300T,ABS,T2,HB,SNOW W | SA | 1 |
| 5 | 2 | | DA67-05049C | CAP SPACE-DOOR LEFT; RB7300T,ABS,T1.5,HB, | SA | 1 |
| 6 | 2 | | DA67-04054B | CAP HINGE; BK PJT,ABS,T1.2,HB,HG-0760GP,S | SA | 1 |