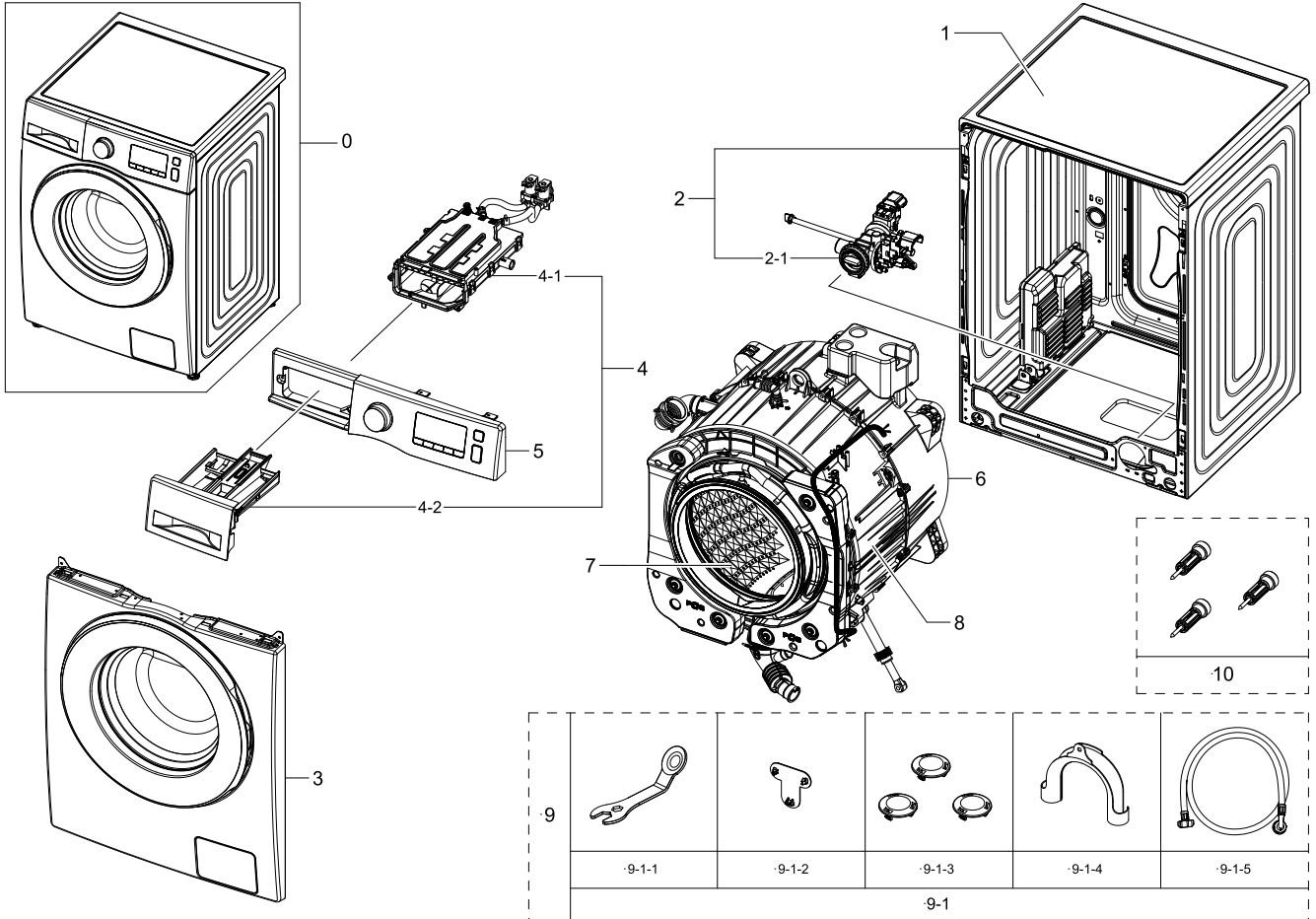


1. MAIN

MAIN

Exploded View



Parts List

| No. | Lvl. | Loc. | Material Code | Description & Specification | SNA | Qty. |
|-----|------|-------|---------------|--|-----|------|
| 1 | 1 | | DC90-29746A | ASSY COVER TOP PARTS; WW6000T,WW80T604CLE | SNA | 1 |
| 2 | 1 | | DC90-28642C | ASSY FRAME PARTS; WW5000T,WW90T534DAW/S3 | SNA | 1 |
| 2-1 | 2 | W0194 | DC97-17336F | ASSY PUMP DRAIN; WW6000T,BUBBLE,250V | SA | 1 |
| 3 | 1 | | DC90-28645M | ASSY FRONT PARTS; WW5000T,WW80TA046TH/EU | SNA | 1 |
| 4 | 1 | | DC90-28644S | ASSY DRAWER PARTS; WW5000T,WW80TA046TH/EU | SNA | 1 |
| 4-1 | 2 | W0163 | DC97-22247D | ASSY HOUSING DRAWER-MODULE; U-PJT (F500), | SA | 1 |
| 4-2 | 2 | W0216 | DC97-22416A | ASSY DRAWER-MODULE; WW4,5000T,WW**T4(A)** | SA | 1 |

Exploded Views and Parts List

| No. | Lvl. | Loc. | Material Code | Description & Specification | SNA | Qty. |
|-------|------|-------|---------------|--|-----|------|
| 5 | 1 | | DC90-28694V | ASSY PANEL CONTROL PARTS; WW5000T,WW90TA0 | SNA | 1 |
| 6 | 1 | | DC90-28647A | ASSY TUB BACK PARTS; WW6000T,WW90T684DLH/ | SNA | 1 |
| 7 | 1 | W0165 | DC90-12363A | ASSY DRUM; F500E,WF80F5E5U4W/EF | SNA | 1 |
| 8 | 1 | | DC90-28646C | ASSY TUB FRONT PARTS; WW5000T,WW90T534DAW | SNA | 1 |
| 9 | 1 | | DC90-28651B | ASSY ACCESSORY PARTS; WW4000T,WW90T4540AX | SNA | 1 |
| 9-1 | 2 | W0718 | DC98-04403B | ASSY ACCESSORY; WW4000T,WW90T4540AX/EU | SNA | 1 |
| 9-1-1 | 3 | W0636 | DC60-00104A | FASTENER-BOLT; ALL,CR-SPCC,T2,L113.5 | SA | 1 |
| 9-1-2 | 3 | W0614 | DC67-00208B | CAP-FIXER; WF8602NHS/XFA,PP,T1.5,COPO,BLA | SA | 1 |
| 9-1-3 | 3 | W0614 | DC67-00307A | CAP-FIXER; WF438AAC/XAA,PP,T1.5,-,RM60,BL | SC | 3 |
| 9-1-4 | 3 | W0626 | DC67-00357A | HOSE-HANGER; SEM,PP+TD20%,ID24.13,T2,INNE | SA | 1 |
| 9-1-5 | 3 | W0757 | DC97-17845A | ASSY HOSE WATER; COLD,ALL MODEL | SA | 1 |
| 10 | 2 | W0603 | DC97-14653C | ASSY FIXER TUB; SCOUT,WF0804Y8E/XEF | SA | 3 |

Exploded Views and Parts List

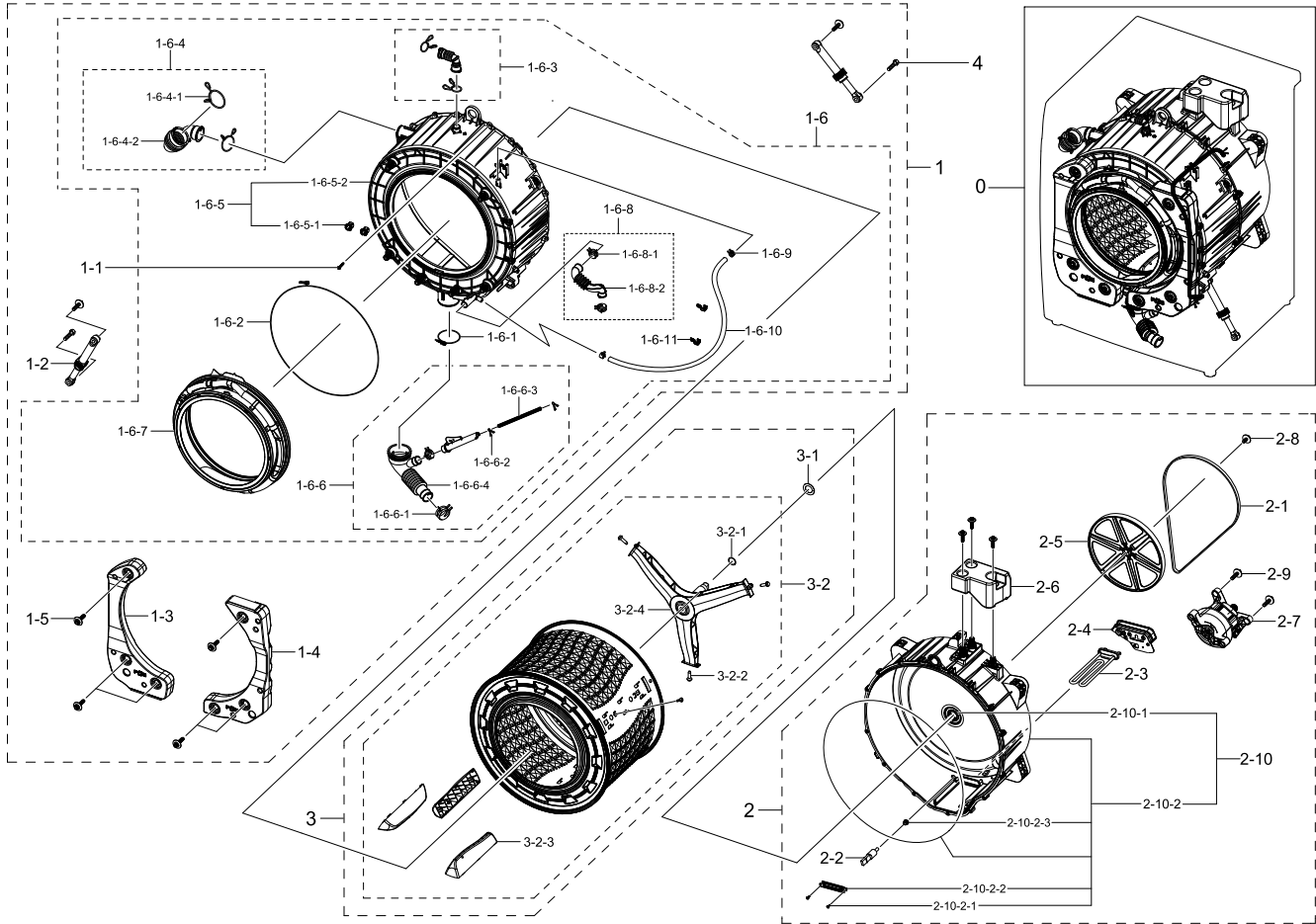
| No. | Lvl. | Loc. | Material Code | Description & Specification | SNA | Qty. |
|------------|------|--------|---------------|--|-----|------|
| 1-7 | 2 | G0430 | DC97-22389A | ASSY COVER BACK; WW6000T,WW90T684DLH/S1 | SA | 1 |
| 1-7-1 | 3 | | DC63-01034D | COVER BACK; W6000J,GI-SGCC,T0.35 | SA | 1 |
| 1-8 | 2 | | DC63-02181A | COVER CONNECTOR; WW5500K (SEHC),PP,-,HB,N | SA | 1 |
| 1-9 | 2 | W0606 | DC97-00920W | ASSY LEG; WW6000T,WD90T654DBH/S1,48.5,M10 | SA | 4 |
| 1-10 | 2 | M0030 | DC97-14006A | ASSY SCREW; WF203,M4/L16 | SA | 2 |
| 1-11 | 2 | M0030 | DC97-14006B | ASSY SCREW; WW5000J,M4,L16,OD14.8,NO RUBB | SA | 5 |
| 1-12 | 2 | W0604 | DC97-16240B | ASSY HOSE DRAIN(O); F500E,WF80F5E5,ASSY,L | SA | 1 |
| 1-13 | 2 | W0194 | DC97-17336F | ASSY PUMP DRAIN; WW6000T,BUBBLE,250V | SA | 1 |
| 1-13-1 | 3 | | DC31-00181A | MOTOR AC PUMP; Drum & Auto,B15-6A/S3019/S30 | SA | 1 |
| 1-13-2 | 4 | WI0107 | DC61-10673A | CAP DRAIN; WF220ANW,PP,-,-,-,-,CNTK-P10 | SA | 1 |
| 1-13-3 | 4 | U2015 | DC67-00244C | HOSE DRAIN; WF0804Y8E,EPDM,ID6,T2.5,HS0,B | SA | 1 |
| 1-13-4 | 4 | | DC69-01128A | PACKING-PUMP; WF8804DP,BUTYL,T2.5,HEBA-PJ | SA | 1 |
| 1-13-5 | 4 | G0050 | DC97-15695A | ASSY FILTER; GRIFFIN-PJT,WF9804RWE,PP+EPD | SA | 1 |
| 1-13-5-1 | 5 | WI0357 | DC64-01317A | HANDLE FILTER; BAIKAL,PP+TD20%,FC2210,INN | SA | 1 |
| 1-13-5-2 | 5 | | DC97-19203A | ASSY SEMI FILTER; F500/400, WW6000/3000,B | SNA | 1 |
| 1-13-5-2-1 | 6 | W0633 | DC63-00998A | FILTER PUMP; SCOUT-PJT,PP+TD20%,-,W52.8,L | SA | 1 |
| 1-13-6 | 3 | W0514 | DC97-19376C | ASSY CASE FILTER; WW6000T,BUBBLE | SA | 1 |
| 1-13-6-1 | 4 | WO0031 | DC63-00905A | CUSHION PUMP; WF8802DPF/XET,NBR,T1.5,D14, | SA | 1 |
| 1-13-8 | 3 | | DC31-00181E | MOTOR AC PUMP; Drum,S3032,2Pole,220-240V, | SA | 1 |
| 1-14 | 2 | W0506 | DC97-22383A | ASSY FRAME-MODULE; WW6000T,T0.7,DA WHITE | SA | 1 |
| 1-15 | 2 | | DD61-00140A | BRACKET-TAPPING; SDW-T120B,SWRCH10A,T0.6, | SNA | 2 |
| 2 | 1 | | DC90-29746A | ASSY COVER TOP PARTS; WW6000T,WW80T604CLE | SNA | 1 |
| 2-1 | 2 | G0412 | 6002-000613 | SCREW-TAPPING; TH,+,-,2,M5,L16,ZPC(WHT),S | SNA | 2 |
| 2-2 | 2 | | DC97-22310D | ASSY COVER TOP-MODULE; WW6000T,WW80T604CL | SA | 1 |

| No. | Lvl. | Loc. | Material Code | Description & Specification | SNA | Qty. |
|-------|------|-------|---------------|--|-----|------|
| 3 | 1 | | DC90-28669V | ASSY INNER PARTS; WW5000T,WW80TA046TH/EU | SNA | 1 |
| 3-1 | 2 | | DC61-02029D | SPRING ETC-HANGER MODULE; WW6800M,HSWR,3. | SA | 2 |
| 3-2 | 2 | | DC92-02784V | ASSY COVER PCB W/HARNESS; WW5000T,WW80TA0 | SNA | 1 |
| 3-2-1 | 3 | | DC27-00012A | COIL HARMONIC; 4.5mH,40x69x39mm,3A,- | SA | 1 |
| 3-2-2 | 3 | | DC93-00945R | ASSY WIRE HARNESS-MAIN; DRUM-M,WW6000T,F- | SA | 1 |
| 3-2-3 | 3 | | DC94-10597A | ASSY PCB EEPROM; 0196,WW4000T | SA | 1 |
| 3-3 | 2 | H2050 | DC96-01703Q | SENSOR PRESSURE; Air,5V,L0,400mmH2O | SA | 1 |
| 4 | 2 | | DC39-00067B | POWER CORD-AT; H05VV-F 3x1.0mm2,GRY,EU3F, | SA | 1 |

3. ASSY TUB & DRUM PARTS

ASSY TUB & DRUM PARTS

Exploded View



Parts List

| No. | Lvl. | Loc. | Material Code | Description & Specification | SNA | Qty. |
|-----|------|-------|---------------|--|-----|------|
| 1 | 1 | | DC90-28646C | ASSY TUB FRONT PARTS; WW5000T,WW90T534DAW | SNA | 1 |
| 1-1 | 2 | G0049 | 6009-001367 | BOLT-HEX; M6.5,L32,ZPC(WHT),HWH,+,SWRCH18 | SA | 15 |
| 1-2 | 2 | | DC66-00470G | DAMPER SHOCK-MODULE; 24" Drum,PP/RUBBER/S | SA | 2 |
| 1-3 | 2 | | DC67-01109B | WEIGHT BALANCER-LEFT MODULE; WW6000T,CONC | SA | 1 |
| 1-4 | 2 | | DC67-01110B | WEIGHT BALANCER-RIGHT MODULE; WW6000T,CON | SA | 1 |
| 1-5 | 2 | W0601 | DC97-14263A | ASSY BOLT; MOTOR/BOLT(M8)+WASHER(OD27.5), | SA | 8 |
| 1-6 | 2 | G0048 | DC97-22380C | ASSY TUB FRONT-MODULE; WW5000T,BUBBLE,NON | SNA | 1 |

| No. | Lvl. | Loc. | Material Code | Description & Specification | SNA | Qty. |
|---------|------|--------|---------------|--|-----|------|
| 1-6-1 | 3 | W0744 | DC65-00021A | CLAMPER HOSE-JOINT; HEBA PJT,HSWR | SA | 1 |
| 1-6-2 | 3 | M0038 | DC97-14618A | ASSY CLAMP DIAPHRAGM; WF8804DP,OD2.0/L124 | SA | 1 |
| 1-6-3 | 3 | G0422 | DC97-14873C | ASSY HOSE AIR; F500,WF80F5E5U4W | SA | 1 |
| 1-6-4 | 3 | G0043 | DC97-14874F | ASSY HOSE DRAWER; F500E,ALL | SA | 1 |
| 1-6-4-1 | 4 | | DC61-04117A | CLIP RING; -,HSWR,-,-,ID37,T3.0 | SA | 1 |
| 1-6-4-2 | 4 | WJ0027 | DC72-00001G | CLIP RING; HEBA-PJT,HSWR,HSWR-SWRH ZPC2,T | SA | 1 |
| 1-6-5 | 3 | W0636 | DC97-17327D | ASSY SEMI TUB FRONT; WW6000T,FRPP,BUBBLE, | SNA | 1 |
| 1-6-5-1 | 4 | WS0064 | DC61-02549A | BUSH MOTOR; HEBA BIGBANG,PA66,NATURAL,KN3 | SA | 2 |
| 1-6-5-2 | 4 | | DC61-03453G | TUB FRONT; WW6000T,PP+GF30%,T3.5,NATURAL, | SA | 1 |
| 1-6-6 | 3 | W0605 | DC97-17330A | ASSY HOSE PRESSURE; 400mmH20,No PBA,WF80F | SA | 1 |
| 1-6-6-1 | 4 | W0615 | DC61-00219C | CLAMPER HOSE; SK5,WLSL1100A,ID35,ZPC2 | SA | 1 |
| 1-6-6-2 | 4 | WP0165 | DC61-70029C | CLIP RING; SEW-HW125,HSWR,WHITE | SA | 2 |
| 1-6-6-3 | 4 | W0725 | DC67-00230E | HOSE WATER; WD8704,TPE,ID4.5,T0,HS0,DARK | SA | 1 |
| 1-6-6-4 | 4 | W0625 | DC67-00551A | HOSE FILTER TUB; VOLGA,EPDM,ID64.5,T1.5,H | SA | 1 |
| 1-6-7 | 3 | | DC64-03988A | DOOR DIAPHRAGM; WW8000T,TPE,T1.5,EK-1045, | SA | 1 |
| 1-6-8 | 3 | G0422 | DC97-17339B | ASSY HOSE AIR; WW5000J,BUBBLE,ID 19.3,BLK | SA | 1 |
| 1-6-8-1 | 4 | W0615 | DC61-00158B | CLAMPER HOSE; UBS,SK5 | SNA | 2 |
| 1-6-8-2 | 4 | G0053 | DC67-00671A | HOSE AIR TUB; F500,EPDM,ID19.3,T2.5,BLACK | SA | 1 |
| 1-6-9 | 3 | W0615 | DC65-00008A | CLAMPER HOSE; SEW-DR605,SK5,ID14.2/T0.9 | SA | 4 |
| 1-6-10 | 4 | G0052 | DC67-00471E | HOSE CIRCULATION; F500E,EPDM,ID9,T2.75,BL | SA | 1 |
| 1-6-11 | 4 | G0415 | DC61-02646A | GUIDE HOSE; WF0804Y8E,PP,T2,-,RM60,BLACK, | SA | 1 |
| 2 | 1 | | DC90-28647A | ASSY TUB BACK PARTS; WW6000T,WW90T684DLH/ | SNA | 1 |
| 2-1 | 2 | W0209 | 6602-003939 | BELT-TIMING GEAR; RUBBER,BLK,T3.2,W11.7,L | SA | 1 |
| 2-2 | 2 | M0487 | DC32-00010C | SENSOR TEMP; L120,3.243kohm,2%,60C,9.8phi | SA | 1 |
| 2-3 | 2 | W0237 | DC47-00033B | HEATER WASH; AC230V,2000W,SUS316L,728mm,N | SA | 1 |

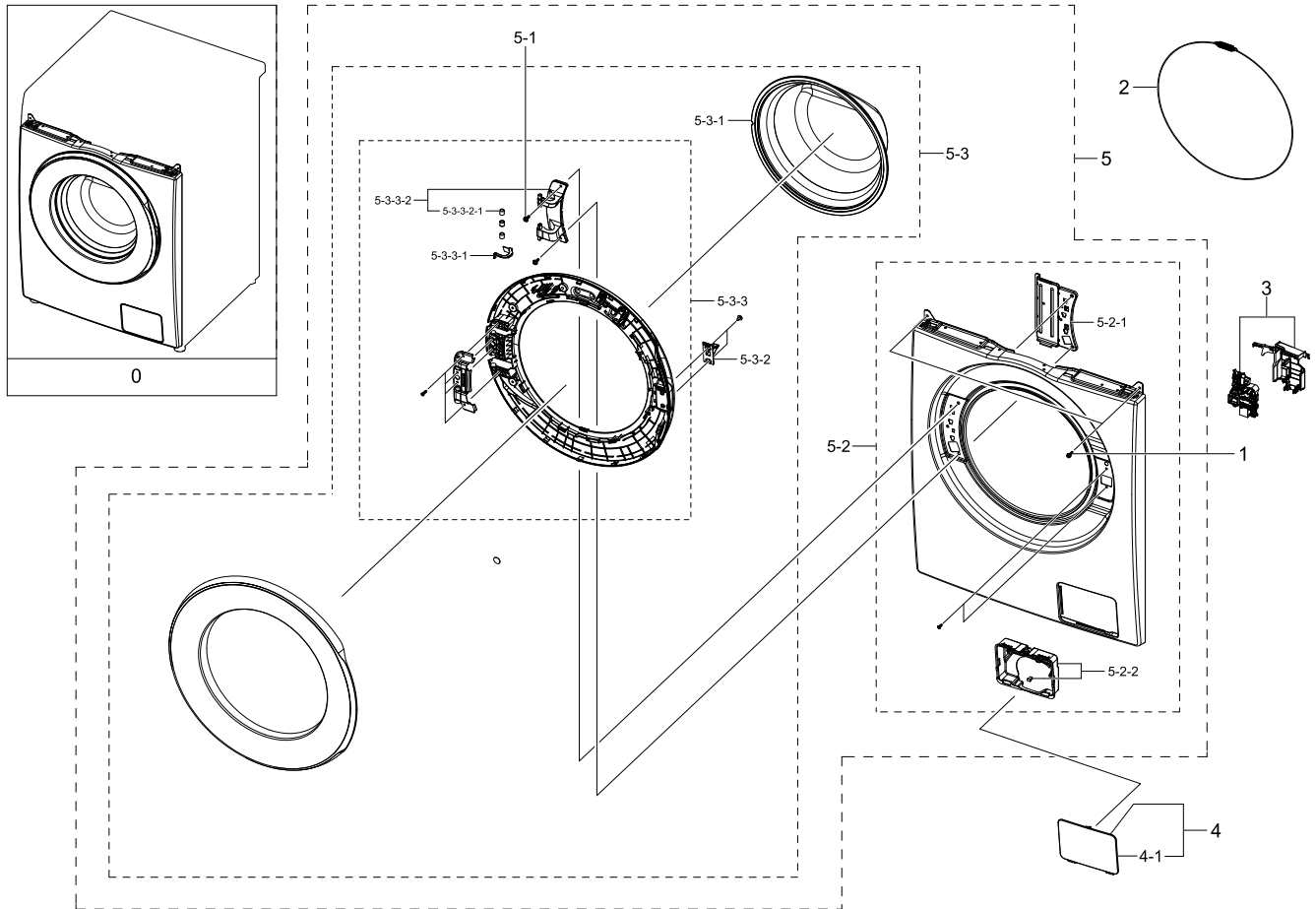
Exploded Views and Parts List

| No. | Lvl. | Loc. | Material Code | Description & Specification | SNA | Qty. |
|----------|------|--------|---------------|--|-----|------|
| 2-4 | 2 | W0235 | DC63-01553A | COVER HEATER; F500 PJT,ABS,5VA,NATURAL,VE | SA | 1 |
| 2-5 | 2 | W0434 | DC66-00767A | PULLEY MOTOR; F500,PA6+GF60%,NATURAL,OD29 | SA | 1 |
| 2-6 | 2 | | DC67-01108A | WEIGHT BALANCER-UP MODULE; WW6000T,CONCRE | SA | 1 |
| 2-7 | 2 | | DC93-00630A | ASSY MOTOR BLDC-MODULE; F4 24mm Press Hou | SA | 1 |
| 2-8 | 2 | W0601 | DC97-06080F | ASSY BOLT; WD9500J,30,M12,Washer 38 | SA | 1 |
| 2-9 | 2 | W0601 | DC97-14263A | ASSY BOLT; MOTOR/BOLT(M8)+WASHER(OD27.5), | SA | 5 |
| 2-10 | 2 | W0501 | DC97-17334C | ASSY TUB BACK-MODULE; WW6000T, FRPP GF 30 | SA | 1 |
| 2-10-1 | 3 | WS0119 | DC62-00008A | SEAL OIL; NBR,NBU | SA | 1 |
| 2-10-2 | 3 | G0029 | DC97-17329C | ASSY SEMI TUB BACK; WW6000T,FRPP,GF30%,SE | SNA | 1 |
| 2-10-2-1 | 4 | W0105 | 6002-000473 | SCREW-TAPPING; TH,+,NO,1,M4,L14,PASS,STS3 | SA | 2 |
| 2-10-2-2 | 4 | W0230 | DC61-02874A | BRACKET HEATER; WD0704CQR,STS430,T0.5,-,- | SA | 1 |
| 2-10-2-3 | 4 | M0028 | DC69-00824A | PACKING-THERMISTOR; GW-PJT,EPDM,-,-,W17,H | SA | 1 |
| 3 | 1 | W0165 | DC90-12363A | ASSY DRUM; F500E,WF80F5E5U4W/EF | SNA | 1 |
| 3-1 | 2 | WS0131 | DC60-00069A | SPACER; WR-HA139WA,STS304,-,-,-,D0,- | SA | 1 |
| 3-2 | 2 | W0165 | DC97-17231A | ASSY DRUM-MODULE; F500 PJT | SA | 1 |
| 3-2-1 | 3 | | 6044-002157 | RING-OG; ID28,OD32.2,T2.1,BLK,NBR | SA | 1 |
| 3-2-2 | 3 | WJ5081 | DC60-40137A | BOLT HEX; MARS-PJT,STS430,-,L30,-,-,-,HEX | SA | 3 |
| 3-2-3 | 3 | W0619 | DC66-00759A | DRUM LIFTER; F500 PJT,PP+TD20%,-,-,-,FC22 | SA | 3 |
| 3-2-4 | 3 | W0164 | DC97-17234A | ASSY FLANGE SHAFT; F500 PJT,71.5 | SA | 1 |
| 4 | 2 | G0049 | DC60-40144A | BOLT HEX; F500,SM10C,T10,L35,DAMPER | SA | 2 |

4. ASSY FRONT PARTS

ASSY FRONT PARTS

Exploded View



Parts List

| No. | Lvl. | Loc. | Material Code | Description & Specification | SNA | Qty. |
|-----|------|-------|---------------|--|-----|------|
| 0 | 1 | | DC90-28645M | ASSY FRONT PARTS; WW5000T,WW80TA046TH/EU | SNA | 1 |
| 1 | 2 | W0105 | 6002-001438 | SCREW-TAPPING; HWH,+,NO,1,M5,L12,ZPC(WHT) | SA | 2 |
| 2 | 2 | W0608 | DC91-12078D | ASSY WIRE DIAPHRAGM; HEBA-PJT,-,-,-,-,- | SA | 1 |
| 3 | 2 | | DC97-22289C | ASSY COVER DOOR SWITCH; WW6000T | SA | 1 |
| 4 | 2 | M0039 | DC97-22290A | ASSY COVER FILTER; WW6000T,ABS,T2.5,DA WH | SA | 1 |
| 4-1 | 3 | | DC63-00920M | COVER FILTER; ADD WASH,ABS,T2.5,-,DA WHIT | SA | 1 |
| 5 | 2 | W0253 | DC97-22430E | ASSY FRAME FRONT; U-PJT, NONE ADD WASH,BA | SNA | 1 |

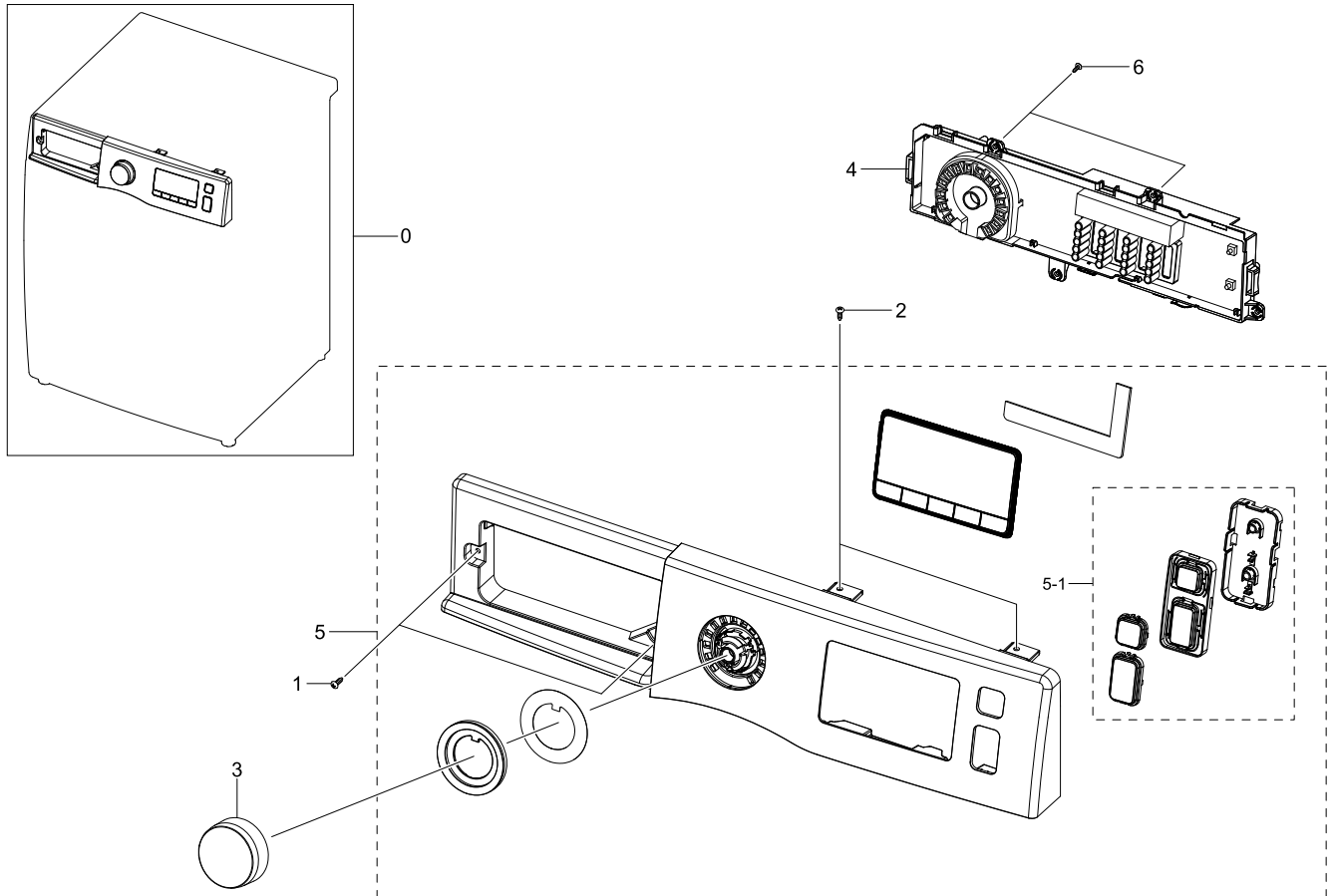
Exploded Views and Parts List

| No. | Lvl. | Loc. | Material Code | Description & Specification | SNA | Qty. |
|-----------|------|--------|---------------|--|-----|------|
| 5-1 | 3 | G0425 | 6009-001522 | SCREW-HEX; HWH,+,M5,L16,PASS,STS304,FP,SE | SA | 2 |
| 5-2 | 3 | | DC97-22382C | ASSY FRAME FRONT-MODULE; WW5000T,WW90T534 | SA | 1 |
| 5-2-1 | 4 | W0226 | DC61-02584A | BRACKET HINGE; U-PJT,GI-SGCC,T1.4 | SA | 1 |
| 5-2-2 | 4 | | DC97-20168A | ASSY FILTER GUIDE; F500,WW5,WW6,WF80F5E5U | SA | 1 |
| 5-3 | 3 | W0459 | DC97-22399F | ASSY DOOR-MODULE; U-PJT,NONE ADD WASH, BA | SA | 1 |
| 5-3-1 | 4 | WD0070 | DC64-01521A | DOOR GLASS; WF8804DP,GLASS,T5,-,-,NATURAL | SA | 1 |
| 5-3-2 | 4 | W0474 | DC66-00375A | LEVER DOOR; 10KG DRUM, U-PJT,ZNDC,T2.5,NI | SA | 1 |
| 5-3-3 | 4 | W0454 | DC97-22130A | ASSY HOLDER GLASS; WW8000T,NON ADD WASH | SNA | 1 |
| 5-3-3-1 | 5 | | DC61-02197A | GUIDE WIRE; WD9500JK,POM,T1,M90-44,NATURA | SA | 1 |
| 5-3-3-2 | 5 | | DC97-20016A | ASSY HINGE DOOR; WW6500, WW5500, WW4500 | SNA | 1 |
| 5-3-3-2-1 | 6 | WD0090 | DC61-00891A | GUIDE HINGE; HAUZEN(DOM),POM,-,-,K300,NAT | SA | 3 |

5. ASSY PANEL CONTROL PARTS

ASSY PANEL CONTROL PARTS

Exploded View



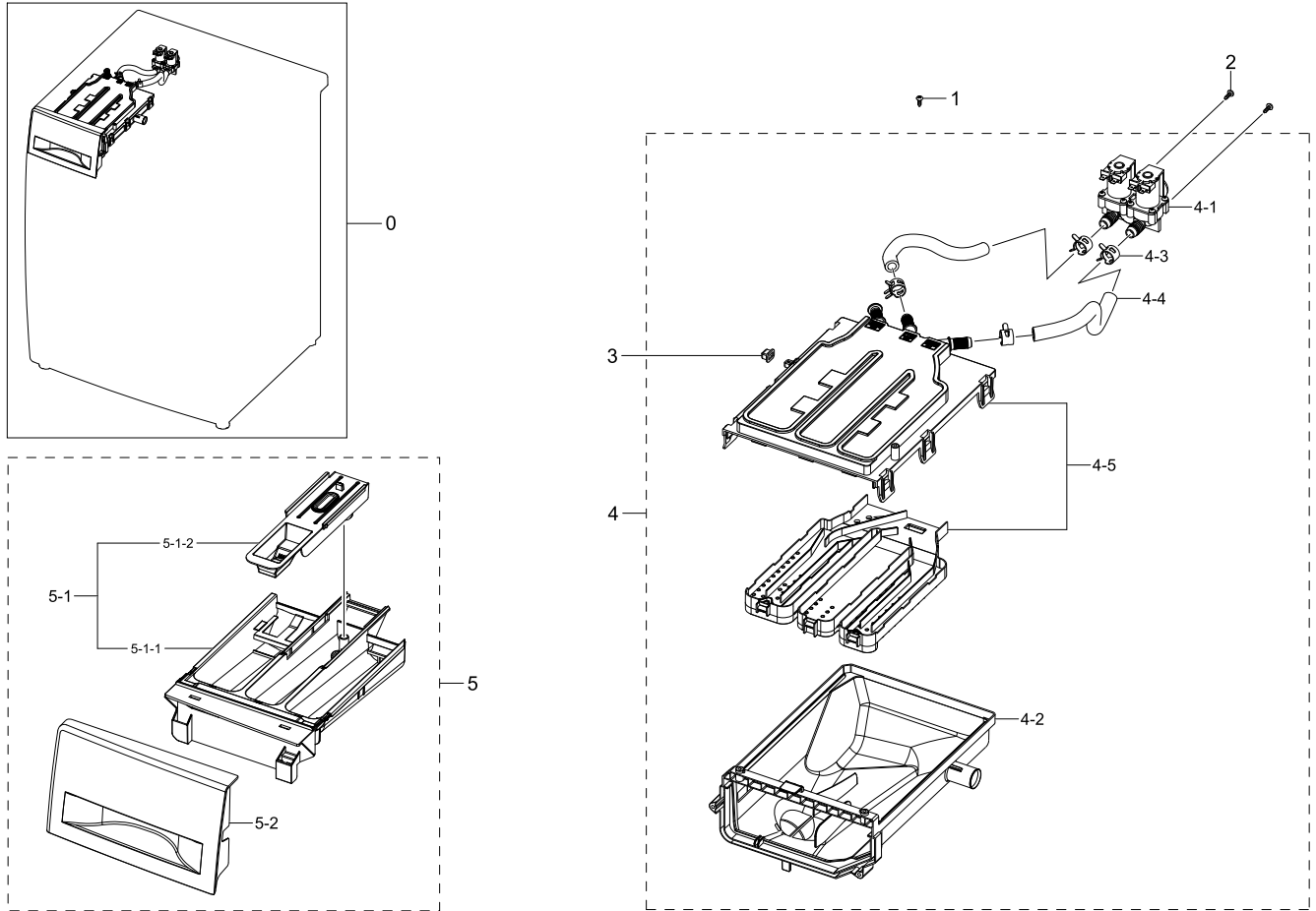
Parts List

| No. | Lvl. | Loc. | Material Code | Description & Specification | SNA | Qty. |
|-----|------|--------|---------------|--|-----|------|
| 0 | 1 | | DC90-28694V | ASSY PANEL CONTROL PARTS; WW5000T,WW90TA0 | SNA | 1 |
| 1 | 2 | W0105 | 6002-000445 | SCREW-TAPPING; TH,+,NO,2,M4,L18,PASS,STS4 | SNA | 2 |
| 2 | 2 | WX0441 | 6002-000520 | SCREW-TAPPING; TH,+,2,M4,L12,ZPC(WHT),SWR | SNA | 2 |
| 3 | 2 | | DC64-03312A | KNOB ENCODER; F500E,ABS,DA WHITE,DA WHITE | SA | 1 |
| 4 | 2 | | DC92-01950B | ASSY PCB DISPLAY; FWM_INV WASH,WW5000T_LE | SA | 1 |
| 5 | 2 | W0478 | DC97-22420E | ASSY PANEL CONTROL-MODULE; WW5000T,WW90TA | SA | 1 |
| 5-1 | 3 | G0431 | DC97-17392A | ASSY BUTTON; WF80F50FU4W/EF | SA | 1 |
| 6 | 2 | WX0412 | 6002-000213 | SCREW-TAPPING; TH,+,1,M4,L12,ZPC(WHT),SWR | SNA | 2 |

6. ASSY DRAWER PARTS

ASSY DRAWER PARTS

Exploded View



Parts List

| No. | Lvl. | Loc. | Material Code | Description & Specification | SNA | Qty. |
|-----|------|--------|---------------|--|-----|------|
| 0 | 1 | | DC90-28644S | ASSY DRAWER PARTS; WW5000T,WW80TA046TH/EU | SNA | 1 |
| 1 | 2 | WX0441 | 6002-000520 | SCREW-TAPPING; TH,+,2,M4,L12,ZPC(WHT),SWR | SNA | 2 |
| 2 | 2 | F0056 | 6003-001768 | SCREW-TAPTYPE; TH,+,WT,S,M4,L10,ZPC(WHT), | SNA | 4 |
| 3 | 2 | | DC67-00327A | CAP DRAWER HOOK; HEBA-PJT,EPDM,-,-,-,BLAC | SA | 1 |
| 4 | 2 | W0163 | DC97-22247D | ASSY HOUSING DRAWER-MODULE; U-PJT (F500), | SA | 1 |
| 4-1 | 3 | | DC33-01010A | VALVE WATER; DC12V,Bracket,mm,#250,1,2,11 | SA | 1 |
| 4-2 | 3 | W0372 | DC61-03473A | HOUSING DRAWER-LOW; WF-F500E,PP+TD30%,NAT | SA | 1 |

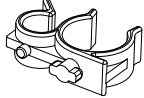
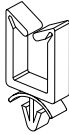
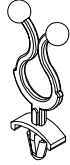




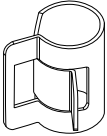
Exploded Views and Parts List

| No. | Lvl. | Loc. | Material Code | Description & Specification | SNA | Qty. |
|-------|------|-------|---------------|--|-----|------|
| 4-3 | 3 | W0615 | DC65-00008A | CLAMPER HOSE; SEW-DR605,SK5,ID14.2/T0.9 | SA | 4 |
| 4-4 | 3 | W0151 | DC67-00051T | HOSE DRAWER; F500E,EPDM,ID9.0,OD14.5,L230 | SA | 2 |
| 4-5 | 3 | W0497 | DC97-17347A | ASSY S.HOUSING DRAWER; F500E,WF80F5E5U4W | SA | 1 |
| 5 | 2 | W0216 | DC97-22416A | ASSY DRAWER-MODULE; WW4,5000T,WW**T4(A)** | SA | 1 |
| 5-1 | 3 | W0216 | DC97-19194A | ASSY DRAWER; F500E,Body Drawer+Cap Rinse | SA | 1 |
| 5-1-1 | 4 | W0156 | DC61-03480A | BODY DRAWER; WF-F500E,PP+TD30%,DA WHITE,W | SA | 1 |
| 5-1-2 | 4 | W0215 | DC67-00452A | CAP RINSE; WF0800NCE,PP+TD30%,MT43,HONEST | SA | 1 |
| 5-2 | 3 | | DC64-02858B | PANEL DRAWER; WF-F500E,ABS,HG-0760GP,DA W | SA | 1 |

7. SMALL PARTS

SMALL PARTS

Exploded View

| | | | | |
|---|---|---|---|---|
|  |  |  |  |  |
| 1 | 2 | 3 | 4 | 5 |
|  |  |  | | |
| 6 | 7 | 8 | | |

Parts List

| No. | Lvl. | Loc. | Material Code | Description & Specification | SNA | Qty. |
|-----|------|--------|---------------|--|-----|------|
| 1 | 2 | W0615 | DC61-00133D | CLAMPER HOSE; WW80T554,PP,BLACK,-,-,SSPP- | SNA | 3 |
| 2 | 2 | M0001 | DC61-00553B | CABLE CLAMP; DAWS-3NE,PA66,NTR | SA | 1 |
| 3 | 2 | | 6502-000127 | CABLE CLAMP; DAWH-18NB,PA66,NTR | SA | 1 |
| 4 | 2 | | DC65-20010A | CABLE CLAMP; DA-9N-1,NYLON66,NTR | SNA | 1 |
| 5 | 2 | WI0293 | DC61-00995C | HOLDER WIRE; HEBA-PJT,PA66,-,NATURAL,-,-, | SA | 1 |
| 6 | 2 | WI0295 | DC61-60074A | HOLDER WIRE; PA66,NATURAL,101F,rectangle | SA | 1 |
| 7 | 2 | W0623 | DC61-40083A | HOLDER WIRE; DAWH-3ND,PA66,-,NATURAL,-,-, | SA | 1 |
| 8 | 4 | W0615 | DC65-00008F | CLAMPER HOSE; F500E,SK5,ID14.2 / T0.9 / W | SA | 1 |