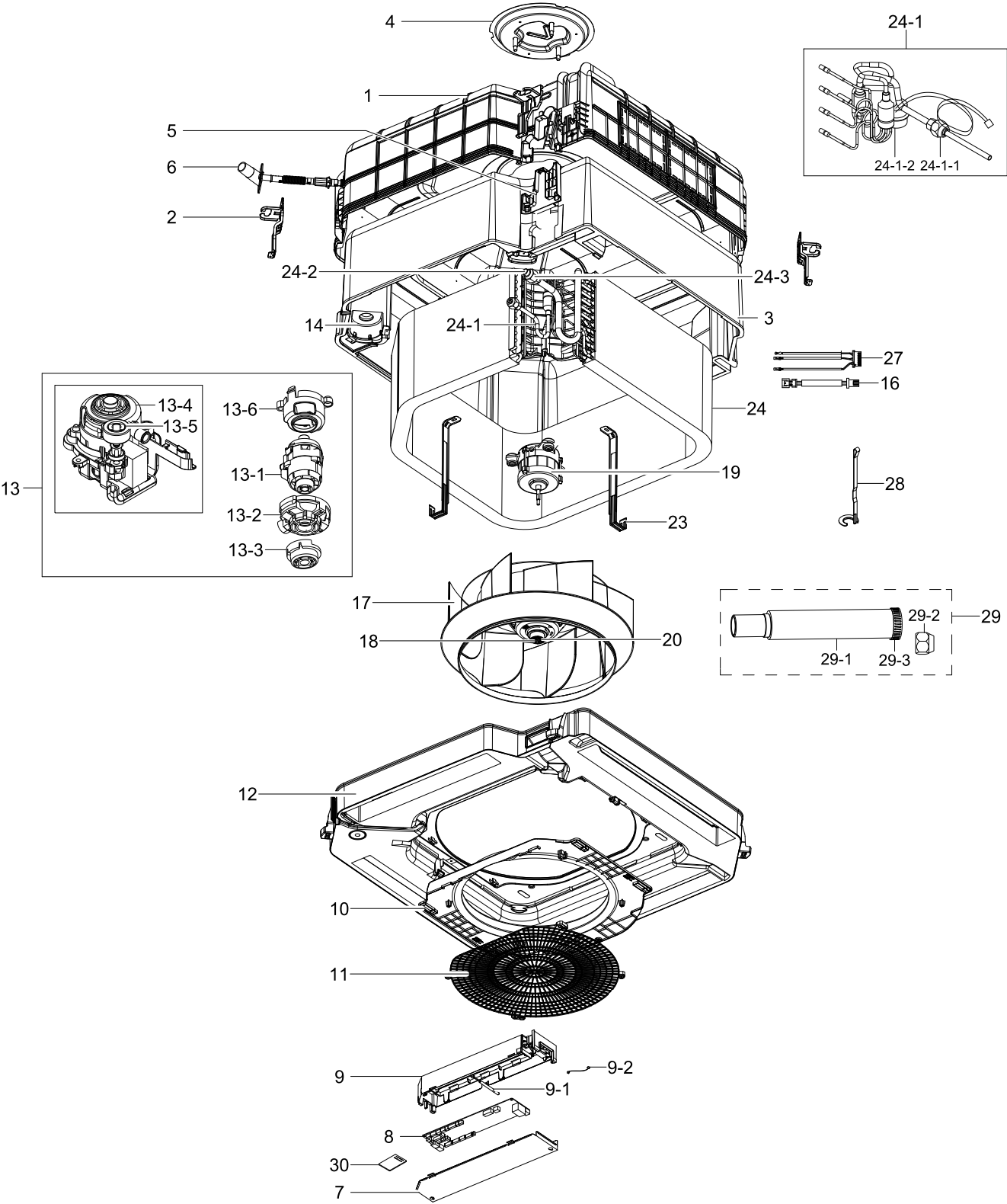


1. AM071FN4DEH/EU

Exploded View



Parts List

No.	Lvl.	Loc.	Material Code	Description & Specification	SNA	Qty.
1	3		DB61-04515A	CASE-CABI IN; Global 4W-CST,PP,T1.7,W836.	SNA	1
2	3	P0229	DB61-04495A	PLATE-HANGER; Global 4W-CST,GI-SGCC,T1.6,	SA	4
3	3		DB63-02710A	CUSHION-CABI IN; Global 4W-CST,EPS,T10,W8	SNA	1
4	3	A2803	DB90-05821A	ASSY BRACKET MOTOR; Global 4W-CST	SA	1
5	2		DB90-05829A	ASSY COVER-PIPE; Global 4WAY CST	SA	1
6	3	A0948	DB94-03171A	ASSY DRAIN-SOCKET; GLOBAL 4W-CST	SA	1
7	3	P0348	DB61-04491A	PLATE-COVER CONTROL; GI-SGCC,T0.5,-	SA	1
8	2	A2748	DB92-02783A	ASSY PCB MAIN; MAIN,AM140FN4DEH/EU,260*70	SA	1
9	2	A0696	DB93-10648B	ASSY CONTROL IN; HP,R410,AM140FN4DEH/EU,N	SNA	1
9-1	3	A3189	DB95-05009A	ASSY THERMISTOR IN-ROOM; ACN052NDEHA/ER,1	SA	1
9-2	3	A0646	DB93-08805D	ASSY CONNECTOR WIRE-EARTH; DVM NASA,EARTH	SA	1
10	3		DB61-04496A	CASE-BELL MOUTH; HIPS,T2.0,466.3,501.3,IN	SA	1
11	3		DB63-02702B	COVER-SAFETY; Global 4W-CST,ABS,3.0,414,I	SA	1
12	2	A0903	DB94-02667C	ASSY DRAIN PAN; Global 4W-CST	SA	1
13-2	3		DB73-00521A	RUBBER-CAP PUMP; EPDM,58,24,40,GRAY BLUE	SA	1
13-3	3	R0184	DB73-00523A	RUBBER-BASE PUMP; NBR,OD36,H17.5,ID27,BLA	SA	1
13-4	3		DB61-04498A	CASE-PUMP; Global 4W-CST,HIPS,139,100.6,N	SA	1
13-5	3	A2012	DB95-04462A	ASSY SENSOR FLOAT; NS1404DXEA,SW OFF: 6mm	SA	1
13-6	3	C1564	DB63-02703A	COVER-PUMP; Global 4W-CST,HIPS,T2.0,81.2,	SA	1
14	2		DB61-04517B	CASE-PARTITION EVAP; GLOBAL 4W-CST,HIPS	SNA	1
16	3		DB93-13688B	ASSY CONNECTOR WIRE-DC SIGNAL; DVM NASA,2	SA	1
17	2	A1151	DB94-03093A	ASSY FAN-TURBO; NS0714DXEA	SA	1
18	2		DB60-00406A	FASTENER-NUT FLANGE; Global 4W-CST,SWCH 1	SA	1
19	2	M0039	DB31-00578B	MOTOR FAN; FMC6531SSH,65W,DC310V,MAX IC 8	SA	1
20	2		DB60-00427A	FASTENER-NUT WASHER; FASTENER-NUT WASHER,	SA	3
23	2		DB61-04518A	HOLDER-EVAP; Global 4W-CST,STAINLESS-STS4	SNA	2
24	2	A1061	DB96-16063C	ASSY EVAP UNIT; AM090FN4DEH/EU	SA	1
24-1	3	A2355	DB96-18405A	ASSY TUBE EVAP IN; AM090FN4DEH/EU,NASA G-	SNA	1

No.	Lvl.	Loc.	Material Code	Description & Specification	SNA	Qty.
24-1-1	4		DB60-30010B	FASTENER-NUT FLARE; C3771BD,HEX,5/8-18UNF	SA	1
24-1-2	4		DB62-11473A	VALVE EXPAN-GEAR; ,D3.2,-,2000,500	SA	1
24-2	4	C1284	DB63-00360D	COVER-FLARE; SH24AC6,PA,5/8"	SA	1
24-3	4	N0027	DB60-30010D	FASTENER-NUT FLARE; C3771 BD	SA	1
27	2		DB95-05011A	ASSY THERMISTOR IN-EVA IN OUT; ACN052NDEH	SA	1
28	2	S0242	DB81-00635A	SPRING ETC-SENSOR; DVM-SYSTEM,STS304,R2.5	SA	2
29	2	A0916	DB94-02739C	ASSY DRAIN-HOSE INSTALL; Global 4W-CST	SA	1
29-1	3		DB94-02719B	ASSY DRAIN-HOSE; 250,NS1004PXEA,CLAMP TYP	SA	1
29-2	3		DB60-30010B	FASTENER-NUT FLARE; C3771BD,HEX,5/8-18UNF	SA	1
29-3	4		DB90-06130A	ASSY HOLDER-CLAMP; NS1004PXEA	SA	1
30	2		DB93-12483A	ASSY PCB SUB-EEPROM; DVM PLUS4UP,DVM WATE	SA	1