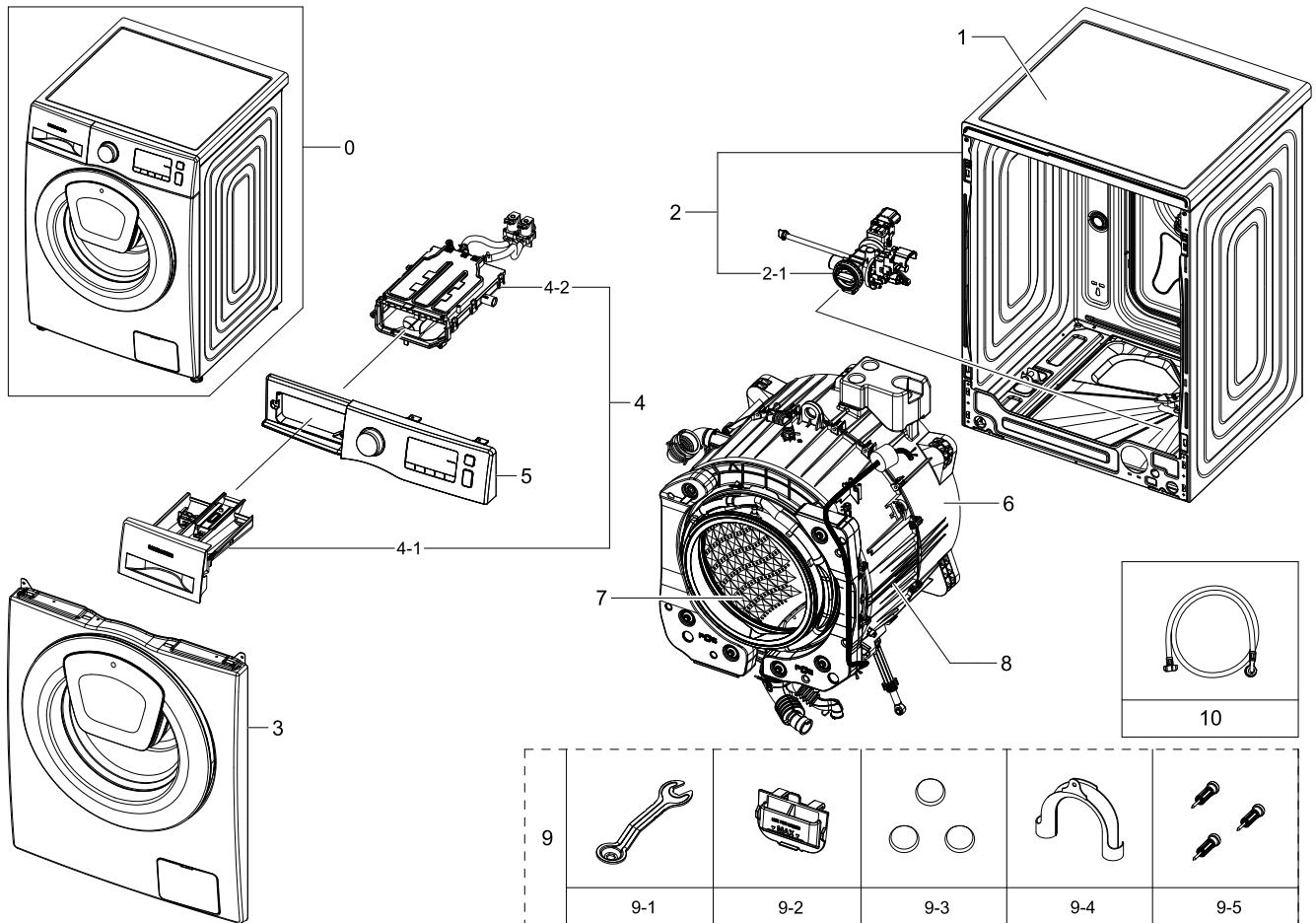


1. WW90K5410UX/EP

Exploded View



Parts List

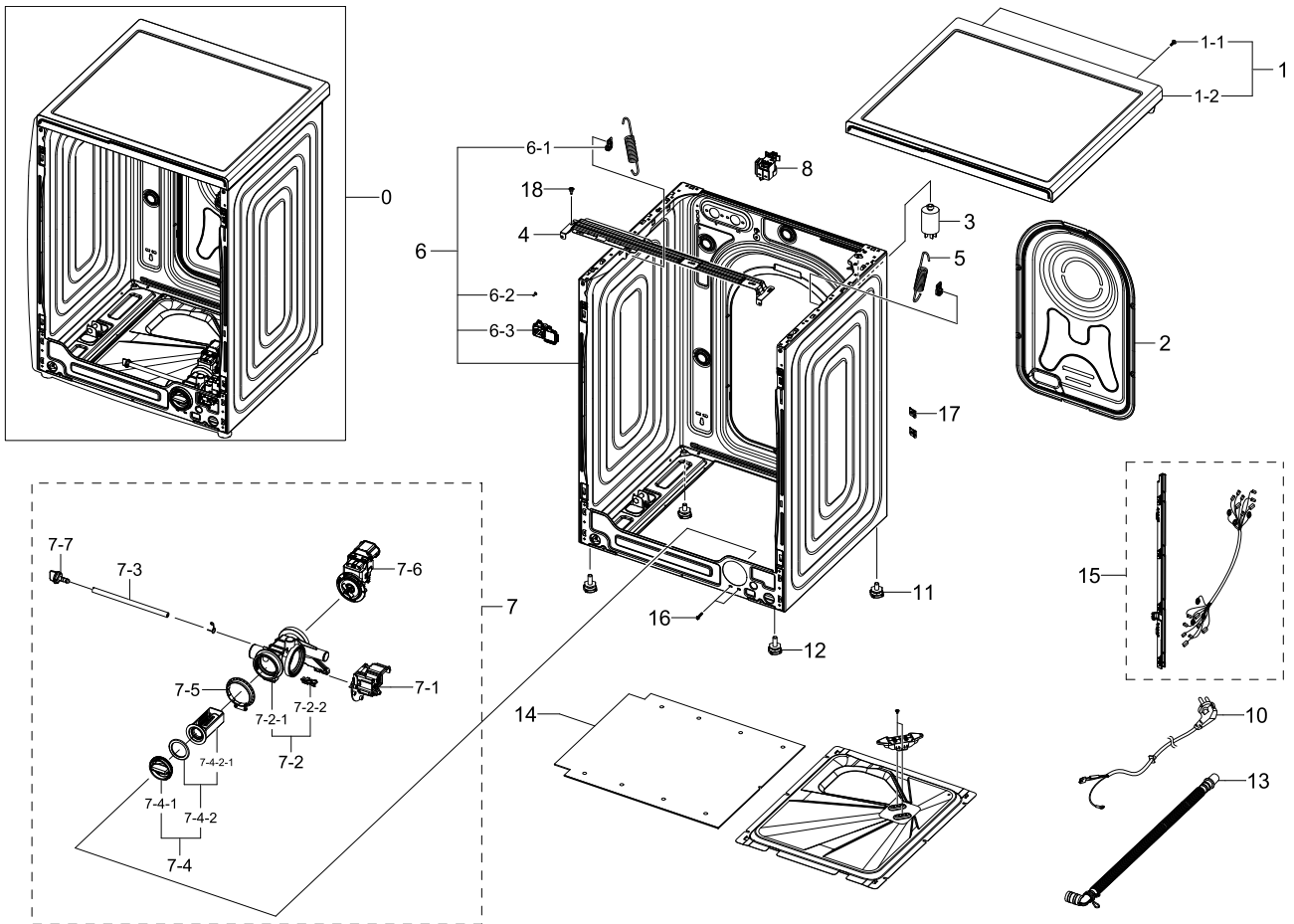
No.	Lvl.	Loc.	Material Code	Description & Specification	SNA	Qty.
1	1	W0183	DC90-12820A	ASSY COVER TOP; F500,INOX	SNA	1
2	1	W0506	DC90-22044A	ASSY FRAME; WW6500K,WW90K6414QX/EU	SNA	1
2-1	2	W0194	DC97-17336C	ASSY PUMP DRAIN; WW6500K,BUBBLE,AL-PUMP,2	SA	1
3	1		DC90-21914A	ASSY FRONT; inox front+blue(black)door	SNA	1
4	1	W0216	DC90-12799A	ASSY DRAWER; F500E,DIM,INOX,COLD	SNA	1
4-1	2	W0216	DC97-17310C	ASSY DRAWER; WW & WD3456 DIM,HEBA 8KG & 9KG,I	SA	1
4-2	2	W0163	DC97-17311A	ASSY HOUSING DRAWER; F500E,WF80F50FU4W,PP	SA	1
5	1	W0478	DC90-22949A	ASSY PANEL CONTROL; WW5500,WW90K5410UX/EP	SNA	1
6	1		DC90-24368A	ASSY TUB BACK PARTS; WW5000J,WW90J5456FW/	SNA	1
7	1	W0165	DC90-12363A	ASSY DRUM; F500E,WF80F5E5U4W/EF	SNA	1

Exploded Views and Parts List

No.	Lvl.	Loc.	Material Code	Description & Specification	SNA	Qty.
8	1		DC90-00052P	ASSY TUB FRONT PARTS; SUSPA Damper,8kg, B	SNA	1
9	1	W0718	DC90-12364A	ASSY ACCESSORY; F500E,WF80F5E5U4W/EF	SNA	1
9-1	2	WJ5077	DC60-40146A	BOLT SPANER; PO-SPHC,T2.5,L166	SA	1
9-2	2		DC61-03510A	GUIDE LIQUID; WF-F500E,PP,MT43,Honesty Bl	SA	1
9-3	2	W0614	DC67-00307A	CAP-FIXER; WF438AAC/XAA,PP,T1.5,RECYCLE,B	SC	3
9-4	2	W0626	DC67-00357A	HOSE-HANGER; SEM,PP,ID24.13,-,T2.0,-,-,-,	SA	1
9-5	2	W0603	DC97-14653C	ASSY FIXER TUB; SCOUT,WF0804Y8E/XEF	SA	3
10	2	W0757	DC97-17845A	ASSY HOSE WATER; COLD,ALL MODEL	SA	1

2. Frame&Cover Parts

Exploded View



Parts List

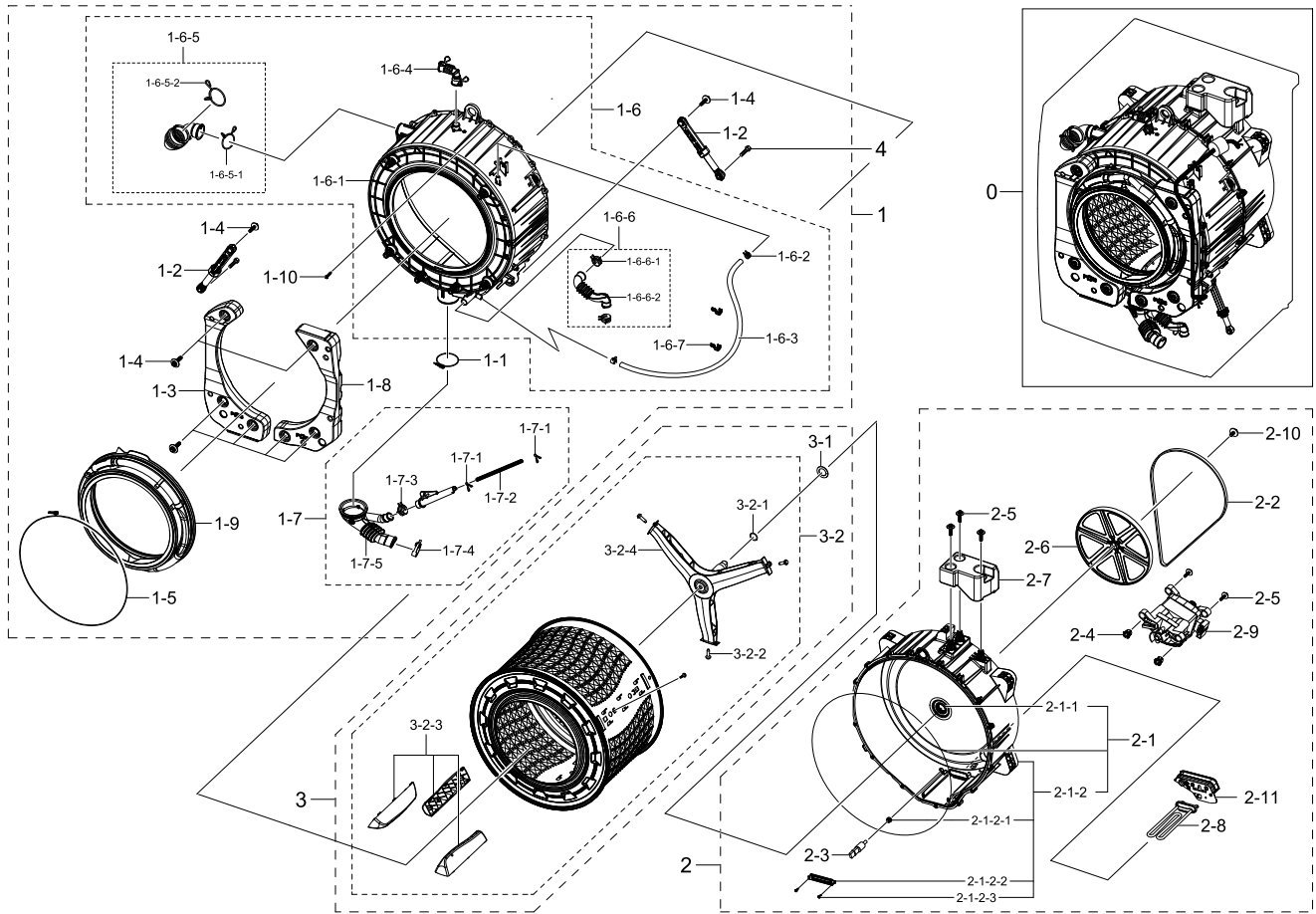
No.	Lvl.	Loc.	Material Code	Description & Specification	SNA	Qty.
1	1	W0183	DC90-12820A	ASSY COVER TOP; F500,INOX	SNA	1
1-1	2	G0412	6002-000613	SCREW-TAPPING; TH,+,-,2,M5,L16,ZPC(WHT),S	SNA	2
1-2	2	W0183	DC97-17254B	ASSY COVER TOP; F500,INOX, 8KG	SA	1
2	2		DC63-01034D	COVER BACK; W6000J,GI-SGCC,T0.35	SA	1
3	2	W0620	DC29-00015K	FILTER EMI; 6.5mH,53X95.5X53mm,15A,AC250V	SA	1
4	2	W0248	DC61-03467A	FRAME PLATE-UP; WF-F500E,GI-SGCC,T1,L581,	SA	1
5	2	W0630	DC61-02146B	SPRING ETC-HANGER; F500E PJT,HSWR,CD3.5,O	SA	2
6	2	W0506	DC97-17325F	ASSY FRAME; F500E,INOX GRAY,COLD,UNI	SA	1
6-1	3	WI0266	DC61-02065A	GUIDE SPRING; WF448AAG/XXA,POM,T4,W24,L36	SA	2
6-2	3	W0105	6002-000239	SCREW-TAPPING; TH,+,-,NO,2S,M4,L8,ZPC(WHT),	SA	1
6-3	3		DC63-02181A	COVER CONNECTOR; WW5500K (SEHC),PP,HB,NAT	SA	1

Exploded Views and Parts List

No.	Lvl.	Loc.	Material Code	Description & Specification	SNA	Qty.
7	2	W0194	DC97-17336C	ASSY PUMP DRAIN; WW6500K,BUBBLE,AL-PUMP,2	SA	1
7-1	3		DC31-00181E	MOTOR AC PUMP; Drum,S3032,2Pole,220-240V,	SA	1
7-2	3	W0514	DC97-19376A	ASSY CASE FILTER; F500E,WF80F5E5U4W/EF,BU	SA	1
7-2-1	4	W0479	DC61-02271B	CASE PUMP; WF0804Y8E/XEF,PP,T2.5,W153.6,L	SA	1
7-2-2	4	WO0031	DC63-00905A	CUSHION PUMP; WF8802DPF/XET,NBR,W37.6,L11	SA	1
7-3	3	U2015	DC67-00244C	HOSE DRAIN; WF0804Y8E,EPDM,ID6,OD11,T2.5,	SA	1
7-4	3	G0050	DC97-15695A	ASSY FILTER; GRIFFIN-PJT,WF9804RWE,PP+EPD	SA	1
7-4-1	4	WI0357	DC64-01317A	HANDLE FILTER; BAIKAL,PP,GY0162,DARK HOLD	SA	1
7-4-2	4		DC97-19203A	ASSY SEMI FILTER; F500/400, WW6000/3000,B	SNA	1
7-4-2-1	5	W0633	DC63-00998A	FILTER PUMP; SCOUT-PJT,PP,W52.8,L93.1,NEA	SA	1
7-5	3		DC69-01128A	PACKING-PUMP; WF8804DP,IIR,BUTYL,T2.5,HEB	SA	1
7-6	3		DC31-00181A	MOTOR AC PUMP; Drum & Auto,B15-6A/S3019/S30	SA	1
7-7	3	WI0107	DC61-10673A	CAP DRAIN; WF220ANW,PP,-,-,-,-,CNTK-P-1	SA	1
8	2	H2050	DC96-01703G	SENSOR PRESSURE; Air,5V,L0,400mmH2O	SA	1
10	2	W0467	DC96-00146H	POWER CORD-AT; H05VV-F 3x1.0mm2,GRY,EU3F,	SA	1
11	2	W0606	DC97-00920U	ASSY LEG; F500E,WF80F5E5U4W/EF,H33.5,P1.5	SA	2
12	2	W0606	DC97-00920C	ASSY LEG; SEW-HW108,L48.5,M10	SA	2
13	2	W0604	DC97-16240B	ASSY HOSE DRAIN(O); F500E,WF80F5E5,ASSY,L	SA	1
14	2	W0629	DC61-20001A	SHUTTER; F500E Platform (SEPM),PP,-,-,-,-	SA	1
15	2		DC93-00619A	ASSY WIRE HARNESS-MAIN; DRUM-M,N,2PUMP,N,	SA	1
16	2	M0030	DC97-14006A	ASSY SCREW; WF203,M4/L16	SA	7
17	2		DD61-00140A	BRACKET-TAPPING; SDW-T120B,SWRCH10A,T0.6,	SNA	2
18	2	W0102	6009-001240	SCREW-SPECIAL; TH,+,M5,L13.5,ZPC(WHT),SWR	SA	2

3. Tub&drum

Exploded View



Parts List

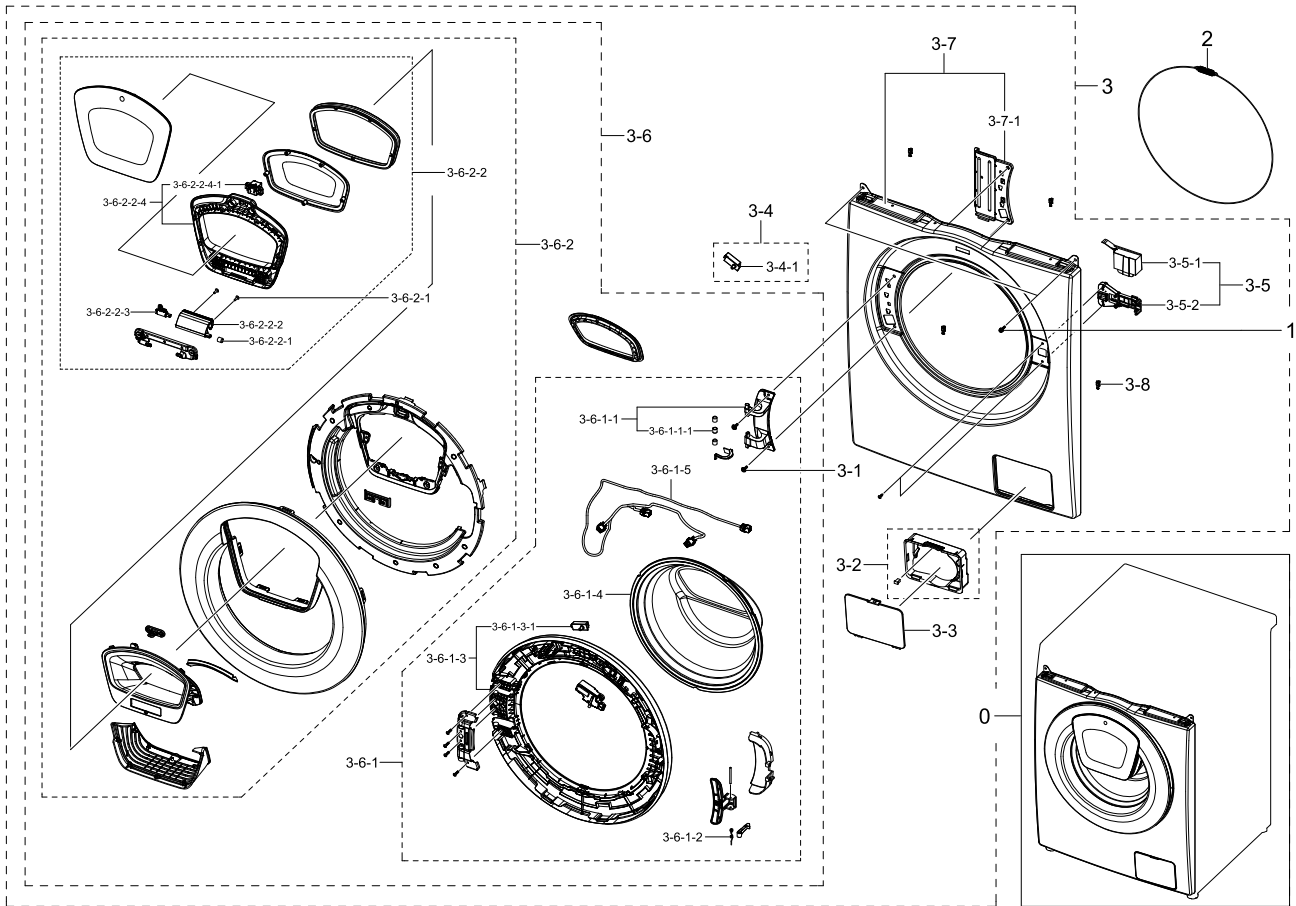
No.	Lvl.	Loc.	Material Code	Description & Specification	SNA	Qty.
1	1		DC90-00052P	ASSY TUB FRONT PARTS; SUSPA Damper,8kg, B	SNA	1
1-1	2	W0744	DC65-00021A	CLAMPER HOSE-JOINT; HEBA PJT,HSWR	SA	1
1-2	2	W0618	DC66-00421B	DAMPER SHOCK; HEBA-SSEC PJT,PP,80N	SA	2
1-3	2	W0233	DC67-00682A	WEIGHT BALANCER-LEFT; F500,CONCRETE,NATUR	SA	1
1-4	2	W0601	DC97-14263A	ASSY BOLT; MOTOR/BOLT(M8)+WASHER(OD27.5),	SA	8
1-5	2	M0038	DC97-14618A	ASSY CLAMP DIAPHRAGM; WF8804DP,OD2.0/L124	SA	1
1-6	2	W0636	DC97-17327C	ASSY SEMI TUB FRONT; F500E	SNA	1
1-6-1	3	W0632	DC61-03453A	TUB FRONT; F500,FRPP,NATURAL,BUBBLE	SA	1
1-6-2	3	W0615	DC65-00008A	CLAMPER HOSE; SEW-DR605,SK5,ID14.2/T0.9	SA	1
1-6-3	3	G0052	DC67-00471E	HOSE CIRCULATION; F500E,EPDM,ID9.0,BLACK	SA	1
1-6-4	3	G0422	DC97-14873C	ASSY HOSE AIR; F500,WF80F5E5U4W	SA	1
1-6-5	3	G0043	DC97-14874F	ASSY HOSE DRAWER; F500E,ALL	SA	1
1-6-5-1	4		DC61-04117A	CLIP RING; HSWR,T3.0	SA	1

Exploded Views and Parts List

No.	Lvl.	Loc.	Material Code	Description & Specification	SNA	Qty.
1-6-5-2	4	WJ0027	DC72-00001G	CLIP RING; HEBA-PJT,HSWR,T3.0,ID49.5,W18,	SA	1
1-6-6	3	G0422	DC97-17339B	ASSY HOSE AIR; WW5000J,BUBBLE,ID 19.3,BLK	SA	1
1-6-6-1	4	W0615	DC61-00158B	CLAMPER HOSE; UBS,SK5	SNA	2
1-6-6-2	4	G0053	DC67-00671A	HOSE AIR TUB; F500,EPDM,19.3,29,T2.5,50,B	SA	1
1-6-7	3	G0415	DC61-02646A	GUIDE HOSE; WF0804Y8E,PP,T2,W9.8,L36.6,RM	SA	2
1-7	2	W0605	DC97-17330A	ASSY HOSE PRESSURE; F500E,WF80F5E5U4W/EF	SA	1
1-7-1	3	WP0165	DC61-70029C	CLIP RING; SEW-HW125,HSWR,WHITE	SA	2
1-7-2	3	W0725	DC67-00230E	HOSE WATER; WD8704,TPE,ID4.5	SA	1
1-7-3	3	W0615	DC61-00219M	CLAMPER HOSE; SK5,WHITE	SNA	1
1-7-4	3	W0615	DC61-00219C	CLAMPER HOSE; SK5,WLSL1100A,ID35,ZPC2	SA	1
1-7-5	3	W0625	DC67-00551A	HOSE FILTER TUB; VOLGA,EPDM,ID64.5,OD70,T	SNA	1
1-8	2	W0232	DC67-00681A	WEIGHT BALANCER-RIGHT; F500,CONCRETE,NATU	SA	1
1-9	2	W0234	DC64-02888A	DOOR DIAPHRAGM; WF80F5E5U4W,TPE,T2.4,GRAY	SA	1
1-10	2	G0049	6009-001367	BOLT-HEX; M6.5,L32,ZPC(WHT),SWRCH18A,HWH	SA	15
2	1		DC90-24368A	ASSY TUB BACK PARTS; WW5000J,WW90J5456FW/	SNA	1
2-1	2	W0501	DC97-17334A	ASSY TUB BACK; F500E,WF80F5E5U4W/EF	SA	1
2-1-1	3	WS0119	DC62-00008A	SEAL OIL; NBR,BLACK,-,NBU	SA	1
2-1-2	3	G0029	DC97-17329A	ASSY SEMI TUB BACK; F500E,WF80F5E5U4W/EF	SNA	1
2-1-2-1	4	M0028	DC69-00824A	PACKING-THERMISTOR; GW-PJT,EPDM,-,-,W17,H	SA	1
2-1-2-2	4	W0230	DC61-02874A	BRACKET HEATER; WD0704CQR,STS430,T0.5	SA	1
2-1-2-3	4	W0105	6002-000473	SCREW-TAPPING; TH,+,-,NO,1,M4,L14,PASS,STS3	SA	2
2-2	2	W0209	6602-003939	BELT-TIMING GEAR; RUBBER,T3.2,W11.7,L1270	SA	1
2-3	2	M0487	DC32-00010C	THERMISTOR; WASHER,-10~100,5,5,3.243k ± 2	SA	1
2-4	2	WS0064	DC61-02549A	BUSH MOTOR; HEBA BIGBANG,PA,NATURAL	SA	2
2-5	2	W0601	DC97-14263A	ASSY BOLT; MOTOR/BOLT(M8)+WASHER(OD27.5),	SA	5
2-6	2	W0434	DC66-00767A	PULLEY MOTOR; F500,PA66,NATURAL,OD296.8	SA	1
2-7	2	W0231	DC67-00670A	WEIGHT BALANCER-UP; F500,CONCRETE,4.0KG	SA	1
2-8	2		DC47-00033E	HEATER WASH; AC230V,Double Fuse (167°C, Cu	SA	1
2-9	2		DC93-00630A	ASSY MOTOR BLDC; F4 24mm Press Housing Ty	SA	1
2-10	2	W0601	DC97-06080F	ASSY BOLT; WD9500J,30,M12,Washer 38	SA	1
2-11	2	W0235	DC63-01553A	COVER HEATER; F500 PJT,ABS+PC,W77,L168.1,	SA	1
3	1	W0165	DC90-12363A	ASSY DRUM; F500E,WF80F5E5U4W/EF	SNA	1
3-1	2	WS0131	DC60-00069A	SPACER; WR-HA139WA,STS304	SA	1
3-2	2	W0165	DC97-17231A	ASSY DRUM; F500 PJT	SA	1
3-2-1	3		6044-002157	RING-OG; ID28,OD32.2,T2.1,BLK,NBR	SA	1
3-2-2	3	WJ5081	DC60-40137A	BOLT HEX; MARS-PJT,STS430,M8,P1.25,L30,HE	SA	3
3-2-3	3	W0619	DC66-00759A	DRUM LIFTER; F500 PJT,PP,W52,H45.8,L246	SA	3
3-2-4	3	W0164	DC97-17234A	ASSY FLANGE SHAFT; F500 PJT	SA	1
4	2	G0049	DC60-40144A	BOLT HEX; F500,SM10C,T10,L35,DAMPER	SA	2

4. Assy Front

Exploded View



Parts List

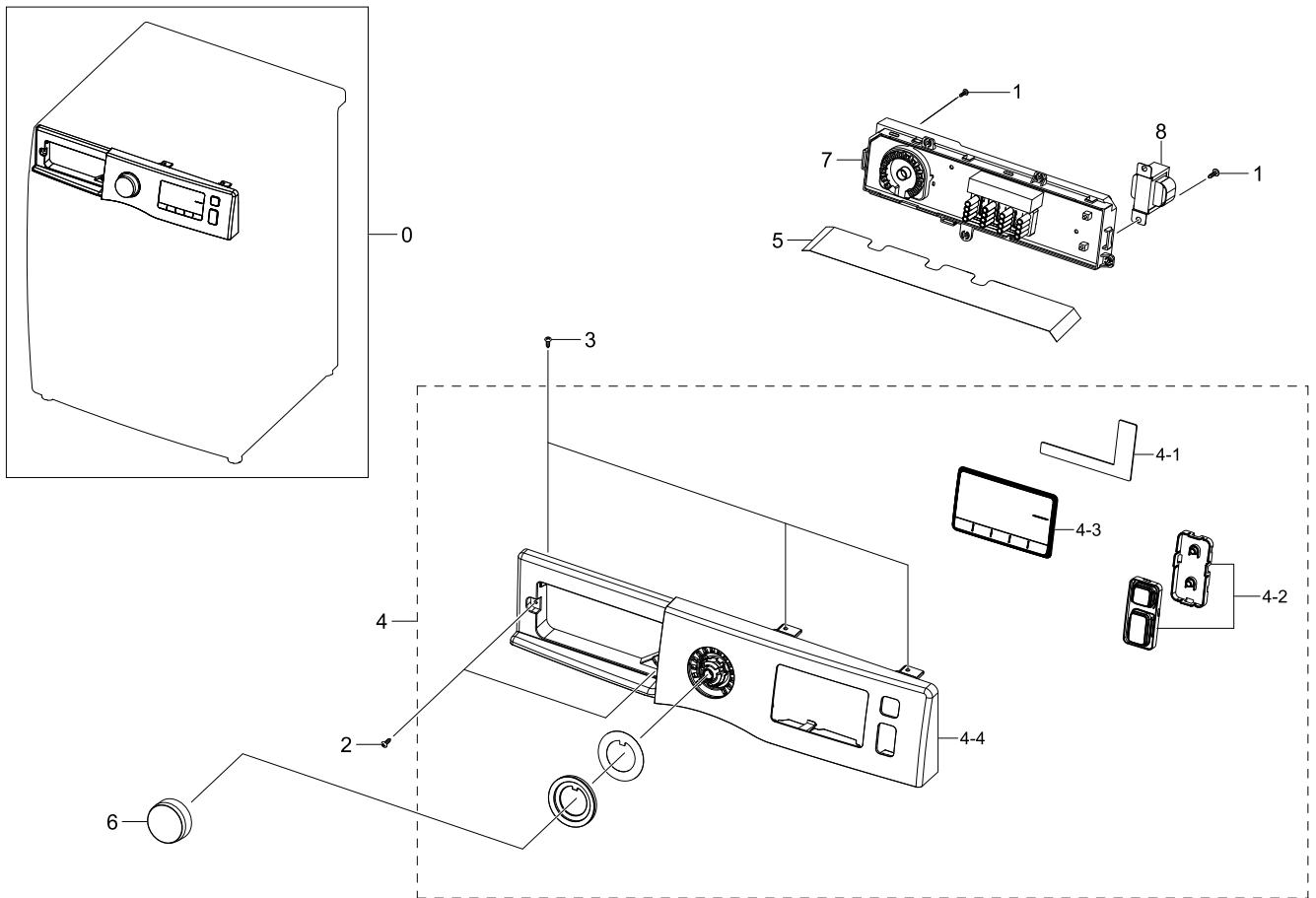
No.	Lvl.	Loc.	Material Code	Description & Specification	SNA	Qty.
0	1		DC90-21914A	ASSY FRONT; inox front+blue(black)door	SNA	1
1	2	W0105	6002-001438	SCREW-TAPPING; HWH,+,NO,1,M5,L12,ZPC(WHT)	SA	2
2	2	W0608	DC91-12078D	ASSY WIRE DIAPHRAGM; HEBA-PJT,-,-,-,-,-	SA	1
3	2	W0253	DC97-19356C	ASSY FRAME FRONT; WW5500K,ASSY DOOR(DEEP	SNA	1
3-1	3	G0425	6009-001522	SCREW-HEX; HWH,+,M5,L16,PASS,STS430,FP,SE	SA	2
3-2	3		DC97-20168A	ASSY FILTER GUIDE; F500,WW5,WW6,WF80F5E5U	SA	1
3-3	3	M0039	DC97-17432B	ASSY COVER FILTER; F500,WW5,WW6,WF80F5E5U	SA	1
3-4	3		DC97-16899A	ASSY COVER DOOR SWITCH; Add Wash	SA	1
3-4-1	4		DC64-00828G	SWITCH DOOR; AC125-250V,1.5/0.75,1BUTTON,	SA	1
3-5	3		DC97-19086A	ASSY COVER DOOR SWITCH; F500	SNA	1

Exploded Views and Parts List

No.	Lvl.	Loc.	Material Code	Description & Specification	SNA	Qty.
3-5-1	4	WE0059	DC63-00967A	COVER DOOR SWITCH; AEGIS-PJT/ WF8500NHWP	SNA	1
3-5-2	4	WE0067	DC64-01538A	SWITCH DOOR LOCK; AC250V,16,BIMETAL	SA	1
3-6	3	W0459	DC97-19357A	ASSY DOOR; WW5500K,Main,ASSY COVER DOOR(G	SA	1
3-6-1	4	W0454	DC97-19347A	ASSY HOLDER GLASS; WW5500K,HOLDER GLASS (SNA	1
3-6-1-1	5		DC97-20016A	ASSY HINGE DOOR; WW6500, WW5500, WW4500	SNA	1
3-6-1-1-1	6	WD0090	DC61-00891A	GUIDE HINGE; HAUZEN(DOM),POM,B,white,HING	SA	4
3-6-1-2	5	WD0130	DC61-02027A	SPRING ETC LEVER; STS304,CD1.2,L10.6	SA	1
3-6-1-3	5	W0454	DC97-19471A	ASSY HOLDER GLASS; WW5500K,HOLDER GLASS+D	SNA	1
3-6-1-3-1	6		DC64-00828G	SWITCH DOOR; AC125-250V,1.5/0.75,1BUTTON,	SA	1
3-6-1-4	5	W0448	DC64-03390A	DOOR-GLASS; WW6500K,GLASS,T5,TRANSPARENT,	SNA	1
3-6-1-5	5		DC93-00620A	ASSY WIRE HARNESS-SUB; DRUM-M,SUB ADD WAS	SNA	1
3-6-2	4	W0457	DC97-19358A	ASSY COVER DOOR; WW5500K,DEEP GENTLE BLUE	SNA	1
3-6-2-1	5	G0425	6009-001522	SCREW-HEX; HWH,+,M5,L16,PASS,STS430,FP,SE	SA	2
3-6-2-2	5	W0459	DC97-19352C	ASSY DOOR; WW5500K,2nd DOOR,GENTLE BLUE	SNA	1
3-6-2-2-1	6	WD0090	DC61-00891A	GUIDE HINGE; HAUZEN(DOM),POM,B,white,HING	SA	1
3-6-2-2-2	6		DC61-04133D	HINGE DOOR; ADD WASH,PA6,VERSAILLES GRAY,	SA	1
3-6-2-2-3	6		DC66-00878A	DAMPER SHOCK-AXIS; WD9500JK,POM,NATURAL	SA	1
3-6-2-2-4	6	W0454	DC97-19478A	ASSY HOLDER GLASS; ADD WASH,HOLDER GLASS	SNA	1
3-6-2-2-4-1	7		DC97-19401A	ASSY LATCH; WW8500K	SA	1
3-7	3		DC97-19359D	ASSY FRAME FRONT-SEMI; WW5500,WW70K5210UX	SNA	1
3-7-1	4	W0226	DC61-02584A	BRACKET HINGE; GI-SGCC,T1.4,W127,L178	SA	1
3-8	3		DC61-02577B	GUIDE FRAME FRONT; WF1802XEC,POM,NATURAL,	SA	4

5. Assy Panel Control

Exploded View



Parts List

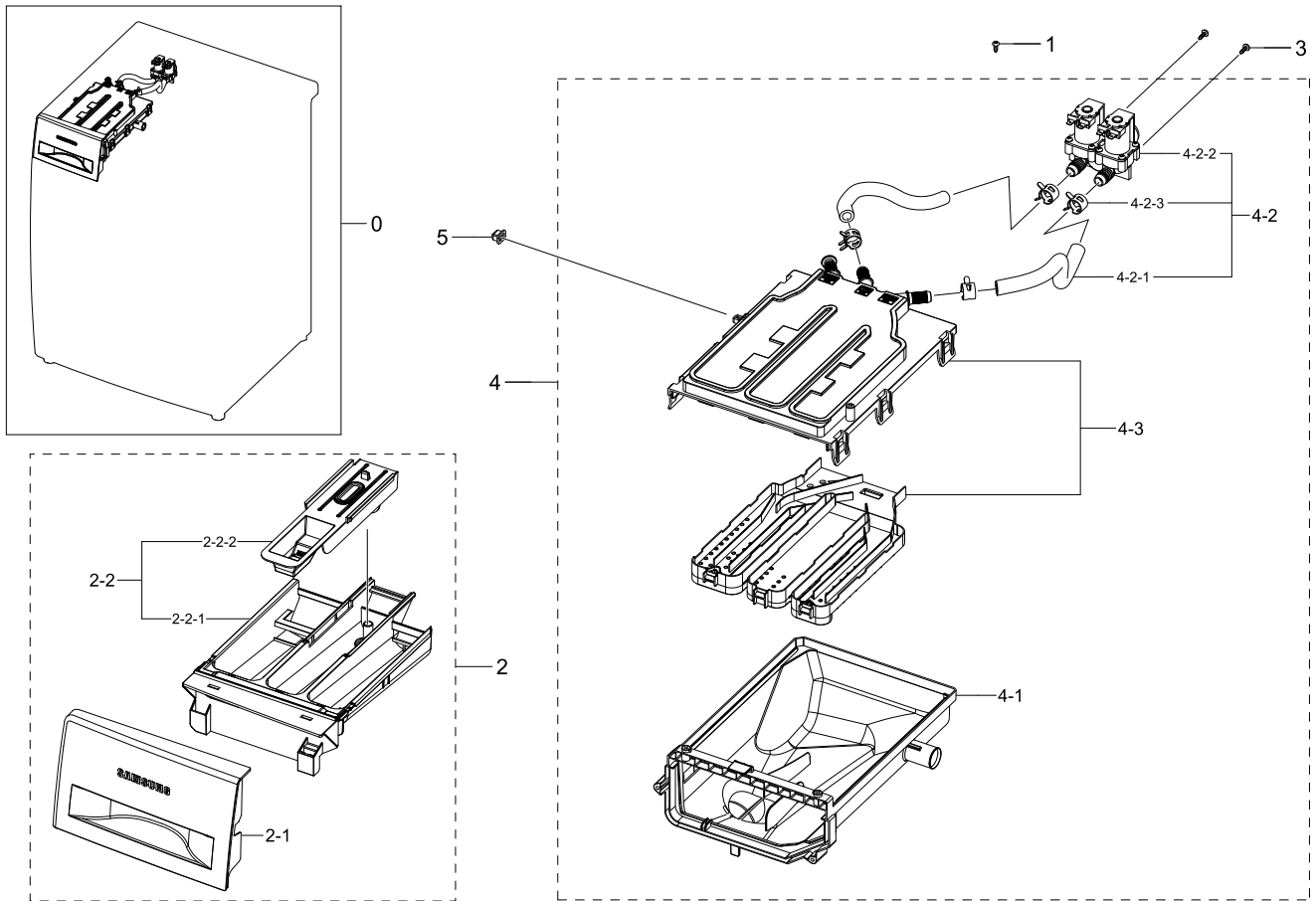
No.	Lvl.	Loc.	Material Code	Description & Specification	SNA	Qty.
0	1	W0478	DC90-22949A	ASSY PANEL CONTROL; WW5500,WW90K5410UX/EP	SNA	1
1	2	WX0412	6002-000213	SCREW-TAPPING; TH,+,1,M4,L12,ZPC(WHT),SWR	SNA	5
2	2	W0105	6002-000445	SCREW-TAPPING; TH,+,NO,2,M4,L18,PASS,STS4	SNA	2
3	2	WX0441	6002-000520	SCREW-TAPPING; TH,+,2,M4,L12,ZPC(WHT),SWR	SNA	2
4	2	W0478	DC97-19616B	ASSY PANEL CONTROL; WW5500K,WW90K5410UX/E	SA	1
4-1	3	W0897	DC93-00540A	ASSY MODULE; TOUCH SENSOR,F500 IML BEST,"	SA	1
4-2	3	G0431	DC97-17392D	ASSY BUTTON; WW6000/WW6500,INOX	SNA	1
4-3	3		DC64-03409L	WINDOW PANEL; WW90K5410UX/EP,PMMA,TF-0930	SNA	1
4-4	3	W0478	DC97-17405A	ASSY PANEL CONTROL; WF80F5E5U2X,BEST,INOX	SA	1
5	2		DC63-01829B	SHEET PCB; WW3000~6000,PC,T0.2,HB,3022R,B	SNA	1

Exploded Views and Parts List

No.	Lvl.	Loc.	Material Code	Description & Specification	SNA	Qty.
6	2		DC64-03312B	KNOB ENCODER; F500E,ABS+PMMA,BK0018,TP00	SA	1
7	2		DC94-09648A	ASSY PCB EEPROM; 0403,06481D,WW5500K,SEPM	SA	1
8	2		DC27-00012A	COIL HARMONIC; 4.5mH,40x69x39mm,3A,-	SA	1

6. Assy Drawer

Exploded View



Parts List

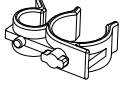
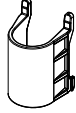


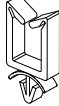


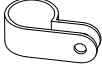

No.	Lvl.	Loc.	Material Code	Description & Specification	SNA	Qty.
0	1	W0216	DC90-12799A	ASSY DRAWER; F500E,DIM,INOX,COLD	SNA	1
1	2	WX0441	6002-000520	SCREW-TAPPING; TH,+,2,M4,L12,ZPC(WHT),SWR	SNA	1
2	2	W0216	DC97-17310C	ASSY DRAWER; WW & WD3456 DIM,HEBA 8KG & 9KG,I	SA	1
2-1	3		DC64-03834A	PANEL DRAWER; WW5000J,ABS,HG-0760GP,INOX	SA	1
2-2	3	W0216	DC97-19194A	ASSY DRAWER; F500E,Body Drawer+Cap Rinse	SA	1
2-2-1	4	W0156	DC61-03480A	BODY DRAWER; WF-F500E,PP,DA WHITE,WT0035,	SA	1
2-2-2	4	W0215	DC67-00452A	CAP RINSE; WF0800NCE,PP,MT43, PTN960,HONE	SA	1
3	2	F0056	6003-001768	SCREW-TAPTYPE; TH,+,WT,S,M4,L10,ZPC(WHT),	SNA	2
4	2	W0163	DC97-17311A	ASSY HOUSING DRAWER; F500E,WF80F50FU4W,PP	SA	1
4-1	3	W0372	DC61-03473A	HOUSING DRAWER-LOW; WF-F500E,PP,WHITE,F50	SA	1
4-2	3	G0420	DC97-21341A	ASSY HOSE; F500 platform,WF80F5E5U4W,Hose	SA	1
4-2-1	4	W0151	DC67-00051T	HOSE DRAWER; F500E,EPDM,ID9.0,OD14.5,L230	SA	2

Exploded Views and Parts List

No.	Lvl.	Loc.	Material Code	Description & Specification	SNA	Qty.
4-2-2	4	W0078	DC62-00024M	VALVE WATER; AC220-240V,Bracket,1in 2out,	SC	1
4-2-3	4	W0615	DC65-00008A	CLAMPER HOSE; SEW-DR605,SK5,ID14.2/T0.9	SA	4
4-3	3	W0497	DC97-17347A	ASSY S.HOUSING DRAWER; F500E,WF80F5E5U4W	SA	1
5	2		DC67-00327A	CAP DRAWER HOOK; HEBA-PJT,EPDM,T1.1,BLACK	SA	1

7. Small Parts

Exploded View

					
1	2	3	4	5	6
					
7	8	9			

Parts List

No.	Lvl.	Loc.	Material Code	Description & Specification	SNA	Qty.
1	2	W0616	DC61-00133A	CLAMPER HOSE-FIX; P1291,PP,HOSE+PLUG,BJ-7	SA	2
2	2		DC61-04251A	GUIDE HOSE; F500E,ABS,HG-0760GP,NATURAL	SA	1
3	2	WI0295	DC61-60074A	HOLDER WIRE; PA,NATURAL,101F,rectangle	SA	1
4	2	W0623	DC61-40083A	HOLDER WIRE; DAWH-3ND,PA66,NATURAL,NTR(PI	SA	2
5	2	M0001	DC61-00553B	CABLE CLAMP; DAWS-3NE,PA66,NTR	SA	4
6	2		DC61-40086B	HOLDER WIRE; SEW-HSR109ARB,PA,ID35.53,NAT	SA	2
7	2	WI0293	DC61-00995C	HOLDER WIRE; HEBA-PJT,PA,W6,L145,NATURAL,	SA	1
8	2		DC65-20010A	CABLE CLAMP; DA-9N-1,NYLON66,NTR	SNA	1
9	2		6502-000127	CABLE CLAMP; DAWH-18NB,PA66,NTR	SA	1