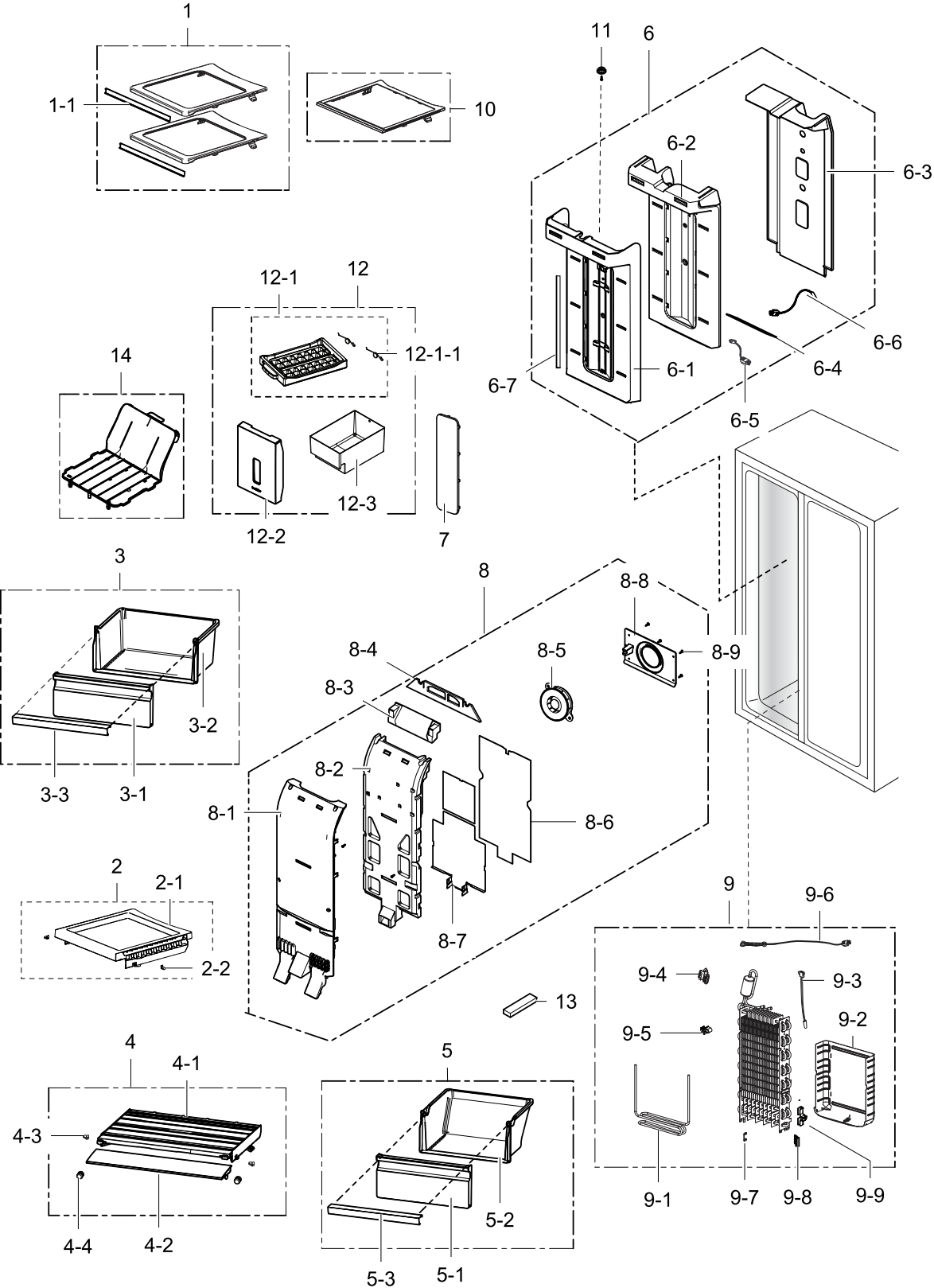


1. Freezer

Exploded View



Parts List

No.	Lvl.	Loc.	Material Code	Description & Specification	SNA	Qty.
1	2		DA97-12994A	ASSY SHELF-FRE TOP; HM12-PJT(BASIC)	SA	2
1-1	3		DA64-03760F	TRIM SHELF-REAR; HERMES-12,ABS,HG-06601,L	SA	2
2	2	M0310	DA97-12766A	ASSY SHELF FRE-LOW; HM10-SEPM,RAIL TWO-PI	SA	1
2-1	3	Z1179	DA67-03384A	SHELF FRE-LOW; HERMES,ABS,COOL WHITE,HB,H	SNA	1
2-2	3	G0587	DA63-00202C	GROMMET-RAIL; TD-PJT,PA66,W10.7,COOL WHIT	SA	6
3	2	Z1188	DA97-12801B	ASSY CASE-VEG HIGH; HM12-PJT	SA	1
3-1	3	A1183	DA63-07072A	COVER VEG-HIGH; HM12,GPPS,HB,TP BLUE,165N	SNA	1
3-2	3	A0677	DA61-08432A	CASE VEG-HIGH; HM12,GPPS,TP BLUE,HB,165N,	SNA	1
3-3	3		DA64-03862L	TRIM-TRAY FRE; HERMES-12,HIPS,S834S1,COOL	SA	2
4	2		DA97-12806A	ASSY COVER-SLIDE VEG; HM12-PJT	SA	1
4-1	3	M0272	DA63-07017A	COVER VEG-LOW; HM10,ABS,HB,NATURAL, TX-051	SNA	1
4-2	3		DA63-07076A	COVER SLIDE-VEG; HM12,PETG,HB,NATURAL, T90	SNA	1
4-3	3	G0587	DA63-00202C	GROMMET-RAIL; TD-PJT,PA66,W10.7,COOL WHIT	SA	6
4-4	3		DA63-07113A	GROMMET-COVER SIDE; HM12,SI,Transparency	SA	4
5	2	M0236	DA97-12802B	ASSY CASE-VEG LOW; HM12-PJT	SA	1
5-1	3	M0272	DA63-07073A	COVER VEG-LOW; HM12,GPPS,HB,TP BLUE,HI-IM	SNA	1
5-2	3	M0268	DA61-08433A	CASE VEG-LOW; HM12,GPPS,TP BLUE,HB,165N,H	SNA	1
5-3	3		DA64-03862L	TRIM-TRAY FRE; HERMES-12,HIPS,S834S1,COOL	SA	2
6	2	M0304	DA97-12821A	ASSY COVER MULTI-FRE; HM12,IN-DOOR,NOMAL	SA	1
6-1	3		DA63-07061A	COVER MULTI-FRE; HM12,PP,HB,COOL WHITE,EP	SNA	1
6-2	3		DA62-03721A	INSULATION-MULTI FRE; HM12,PS FOAM,WHITE	SNA	1
6-3	3		DA61-08424A	PLATE-INS MULTI FRE; HM12,PP,T2.0,BLACK,H	SNA	1
6-4	3		DA62-03766A	SEAL-MULTI FRE LOW; HM12,OJC-3000,WHTIE,T	SNA	1
6-5	3		DA96-00768M	ASSY WIRE HARNESS-LED; ALL,12VDC,ALL,UL,A	SA	1

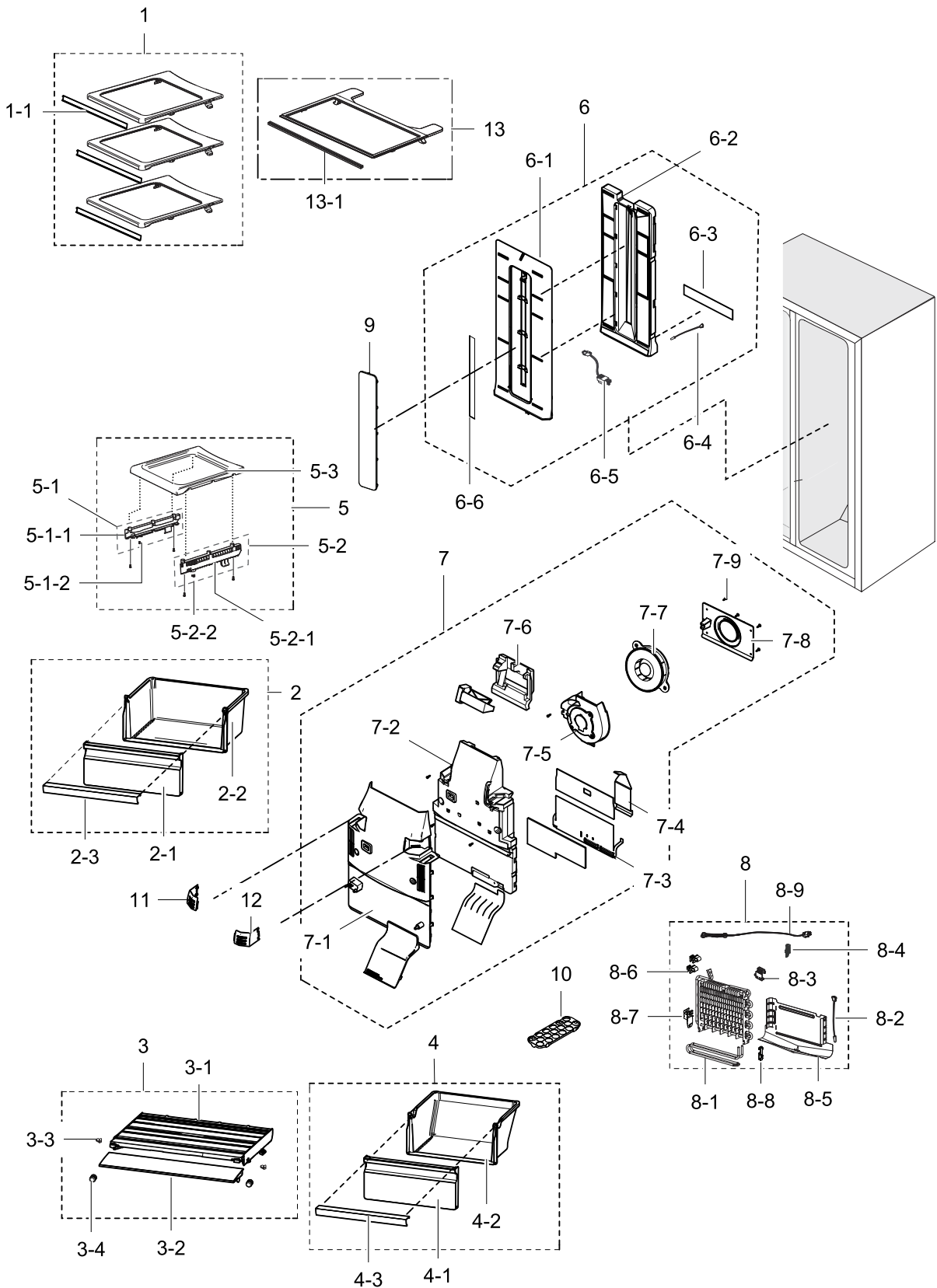
No.	Lvl.	Loc.	Material Code	Description & Specification	SNA	Qty.
6-6	3	A1018	DA32-00006D	SENSOR TEMP; PX-41C,502AT,DKST1329GW,EXPO	SNA	1
6-7	3	G0090	DA41-00749C	ASSY LAMP LED; 8ea,CEM-1,335*20,WHITE,SMA	SA	1
7	2	M0152	DA63-05297A	COVER LAMP-FRE; TWIN-K,PP,HB,Natural,BJ75	SA	1
8	2	M0303	DA97-12820A	ASSY COVER EVAP-FRE; HM12,BASIC, AIO Slim	SA	1
8-1	3		DA63-07060A	COVER EVAP-FRE; HM12,PP,HB,COOL WHITE,EP4	SNA	1
8-2	3		DA62-03720A	INSULATION-EVAP FRE A; HM12,PS FOAM,WHITE	SNA	1
8-3	3		DA62-03722A	INSULATION-EVAP FRE B; HM12,PS FOAM,WHITE	SNA	1
8-4	3		DA62-03765A	SEAL-COVER EVAP FRE HIGH; HM12,PE FOAM,WH	SNA	1
8-5	3		DA31-00334A	MOTOR BLDC FAN; 12035GE-12M-YT-F1,1775 7	SA	2
8-6	3		DA62-03764A	SEAL-COVER EVAP FRE REAR; HM12,FOAM-PE+AL	SNA	1
8-7	3		DA61-05991C	PLATE-EVAP HEATER FRE; HERMES,GL-SAZCC,T0	SA	1
8-8	3	M0143	DA61-08425A	CASE-MOTOR FRE; HM12,ABS,NATURAL,HG-0760G	SA	1
8-9	3	G0412	6002-001204	SCREW-TAPPING; TH,+,-,1,M4,L16,PASS,STS43	SA	8
9	2	A0163	DA96-00675U	ASSY EVAP-FRE; HM12,FIN TUBE,A1070,230V,2	SA	1
9-1	3	G0515	DA47-00320L	HEATER METAL SHEATH; AC230V,HM10 FRE, 264	SNA	1
9-2	3		DA61-05989B	PLATE-DRAIN EVAP FRE; HERMES,GL-SAZCC,T0.	SNA	1
9-3	3	A1018	DA32-00029N	SENSOR TEMP; DTN-C502G6X,DKST1329GW,NEXT-	SNA	1
9-4	3	T0066	DA61-00603A	FIXER SENSOR; n-PJT,PP,T2.0,NATURAL,HB,BJ	SNA	1
9-5	3	M0475	DA61-06013A	FIXER-WIRE; AW3-PJT,PP,NTR	SNA	3
9-6	3	A1008	DA47-00301F	THERMO FUSE-ASSY; AC250V,10A,109~110S	SNA	1
9-7	3	M0475	DA61-06013A	FIXER-WIRE; AW3-PJT,PP,NTR	SNA	3
9-8	3	A0744	DA61-05160A	FIXER FUSE; CULLI_09,PP,T2.0,NATURAL,HB,B	SNA	2
9-9	3	G0521	DA61-06691A	FIXER-WIRE FRE SUB; HM/GGH/HAEMIL,PP,NATU	SNA	1
10	2		DA97-16729A	ASSY SHELF-FRE MIDDLE; RS4000K	SA	1
11	2	G0200	DA61-01797A	FIXER GROMMET-DOOR; T3-PJT,PP,T2.5,COOL W	SA	1

Exploded Views and Parts List

No.	Lvl.	Loc.	Material Code	Description & Specification	SNA	Qty.
12	1	A0104	DA90-07591D	ASSY ICE MAKER; RS7528*/RS7527*,BASIC	SA	1
12-1	2	A0105	DA97-13263A	ASSY TRAY ICE; ROSSO,SBS,TWIST	SA	1
12-1-1	3		DA61-20136A	SPRING ETC-ICE MAKER; SR-53EA,STS304,COIL	SNA	2
12-2	2	M0431	DA63-07150A	COVER TRAY-ICE; HM12,GPPS,HB,TP BLUE,165N	SC	1
12-3	2	A0718	DA61-08540A	CASE-TRAY ICE; HM12,SAN,TRANSPERANCY	SA	1
13	2		DA72-60040W	SEAL-CUTT RUBBER; TD-PJT,BUTYL RUBBER,BLA	SA	1
14	2		DA97-14635A	ASSY SHELF-FRE BOTTOM; HM A+++	SA	1

2. Fridge

Exploded View



Parts List

No.	Lvl.	Loc.	Material Code	Description & Specification	SNA	Qty.
1	2		DA97-12798B	ASSY SHELF-REF TOP; HM12-PJT,WHITE TRIM	SA	3
1-1	3		DA64-03760E	TRIM SHELF-REAR; HERMES-12,ABS,HG-06601,L	SA	4
2	2	Z1189	DA97-12803B	ASSY CASE-BASKET HIGH; HM12-PJT	SA	1
2-1	3	A1182	DA63-07075A	COVER BASKET-HIGH; HM12,GPPS,HB,165N,TP B	SA	1
2-2	3		DA61-08435A	CASE BASKET-HIGH; HM12,GPPS,TP BLUE,HB,16	SA	1
2-3	3		DA64-03862K	TRIM-TRAY FRE; HERMES-12,HIPS,S834S1,COOL	SA	2
3	2		DA97-12807A	ASSY COVER-SLIDE BASKET; HM12-PJT	SA	1
3-1	3	G0408	DA63-07054A	COVER BASKET-LOW; HM10,ABS,HB,NATURAL,TX-	SNA	1
3-2	3		DA63-07077A	COVER SLIDE-BASKET; HM12,PETG,HB,NATURAL,	SNA	1
3-3	3	G0587	DA63-00202C	GROMMET-RAIL; TD-PJT,PA66,W10.7,COOL WHIT	SA	6
3-4	3		DA63-07113A	GROMMET-COVER SIDE; HM12,SI,Transparency	SA	4
4	2	A0496	DA97-12804B	ASSY CASE-BASKET LOW; HM12-PJT	SA	1
4-1	3	G0408	DA63-07074A	COVER BASKET-LOW; HM12,GPPS,HB,165N,TP, B	SNA	1
4-2	3	G0407	DA61-08434A	CASE BASKET-LOW; HM12,GPPS,TP BLUE,HB,165	SNA	1
4-3	3		DA64-03862K	TRIM-TRAY FRE; HERMES-12,HIPS,S834S1,COOL	SA	2
5	2	G0284	DA97-12764A	ASSY SHELF REF-LOW; HM10-SEPM,RAIL-TWO PI	SA	1
5-1	3	G0565	DA97-05233B	ASSY RAIL-BOX L; HERMES-PJT,T2.0,W17,L260	SA	1
5-1-1	4		DA61-03413B	RAIL-BOX L; HERMES-PJT,TALC PP,-,-,NATU	SNA	1
5-1-2	4	G0587	DA63-00202C	GROMMET-RAIL; TD-PJT,PA66,W10.7,COOL WHIT	SA	2
5-2	3	G0566	DA97-05234B	ASSY RAIL-BOX R; HERMES-PJT,T2.0,W17,L260	SA	1
5-2-1	4		DA61-03412B	RAIL-BOX R; HERMES-PJT,TALC PP,-,-,NATU	SNA	1
5-2-2	4	G0587	DA63-00202C	GROMMET-RAIL; TD-PJT,PA66,W10.7,COOL WHIT	SA	2
5-3	3	A0682	DA67-03385A	SHELF REF-LOW; HM10,ABS,COOL WHITE,HG-076	SNA	1
6	2	G0239	DA97-12823A	ASSY COVER MULTI-REF; HM12,COOL WHITE,LED	SA	1
6-1	3	A0689	DA63-07081A	COVER MULTI-REF; HM12,PP,HB,COOL WHITE,EP	SNA	1

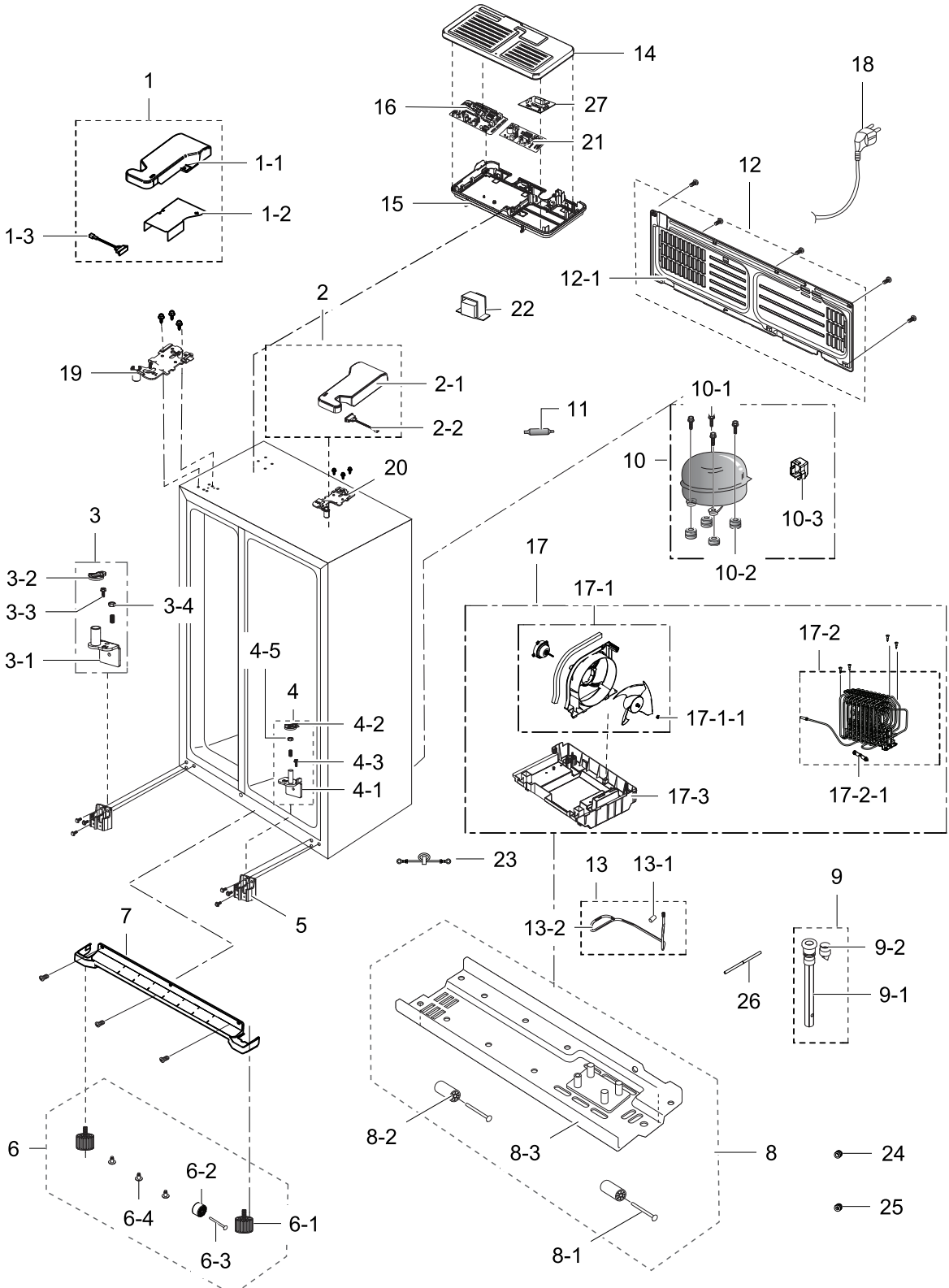
No.	Lvl.	Loc.	Material Code	Description & Specification	SNA	Qty.
6-2	3	A0695	DA62-03726A	INSULATION-MULTI REF; HM12,PS FOAM,WHITE,	SNA	1
6-3	3		DA61-03361A	PLATE-MULTI REF REAR; HERMES,PP,T0.6,-,-,	SNA	1
6-4	3	A1018	DA32-10105U	SENSOR TEMP; 502AT,A-TOP,-50~50,5V,-,-,RO	SA	1
6-5	3	G0563	DA96-00424F	ASSY WIRE HARNESS-LED; ALL,12VDC,ALL,UL,A	SA	1
6-6	3	T0096	DA41-00519Y	ASSY LAMP LED; 9ea,FR-4,490*20,WHITE,SMAW	SA	1
7	2	Z1177	DA97-12824C	ASSY COVER EVAP-REF; HM12,COOL WHITE,BASI	SA	1
7-1	3		DA63-07079A	COVER EVAP-REF; HM12,PP,HB,COOL WHITE,EP4	SNA	1
7-2	3		DA62-03727A	INSULATION EVAP-REF A; HM12,PS FOAM,WHITE	SNA	1
7-3	3		DA61-05993B	PLATE-EVAP HEATER REF; HERMES,AL,T0.3	SA	1
7-4	3		DA61-06244A	PLATE-DRAIN INS EVAP REF; HERMES,A1100,T0	SA	1
7-5	3		DA61-08437A	GUIDE AIR-REF; HM12,HIPS,HB,454N,NATURAL,	SA	1
7-6	3		DA62-03734A	INSULATION EVAP-REF B; HM12,PS FOAM,WHITE	SNA	1
7-7	3		DA31-00334A	MOTOR BLDC FAN; 12035GE-12M-YT-F1,1775 7	SA	2
7-8	3		DA61-08438A	PLATE-MOTOR REF; HM12,ABS,T2,NATURAL,AIO	SA	1
7-9	3	G0412	6002-001204	SCREW-TAPPING; TH,+,-,1,M4,L16,PASS,STS43	SA	8
8	2	A0184	DA96-00676K	ASSY EVAP-REF; HERMES,FIN PIPE,A1070S-H14	SA	1
8-1	3	A0921	DA47-00321L	HEATER METAL SHEATH; AC230V,HM10 REF, 377	SA	1
8-2	3	A1018	DA32-00029R	SENSOR TEMP; DTN-C502G6X, DKST1329GW,SSED	SA	1
8-3	3		DA61-03683A	FIXER-SENSER; AW-PJT,PP,NATURAL,V-0	SNA	1
8-4	3	A0744	DA61-05160A	FIXER FUSE; CULLI_09,PP,T2.0,NATURAL,HB,B	SNA	2
8-5	3	M0404	DA61-05702B	PLATE-DRAIN EVAP REF; HERMES, GUGGENHEIM,	SNA	1
8-6	3	M0475	DA61-06013A	FIXER-WIRE; AW3-PJT,PP,NTR	SNA	3
8-7	3	G0519	DA61-06062A	PLATE-EVAP BRACKET REF; HERMES/GUGGENHEIM	SA	1
8-8	3	G0522	DA61-06700A	FIXER-HEATER WIRE REF; HM/GGH/HAEMIL,PP,N	SNA	2
8-9	3	A1008	DA47-00301B	THERMO FUSE-ASSY; AC250V,10A,109~110S	SA	1
9	2	A0710	DA63-07034A	COVER-LAMP REF; HM10-SEPM,PP,HB,NATURAL,E	SA	1

Exploded Views and Parts List

No.	Lvl.	Loc.	Material Code	Description & Specification	SNA	Qty.
10	2	Z1106	DA67-40322A	TRAY-EGG; SR-51.55.59,GPPS,-,-,-,-,-	SA	1
11	2		DA63-07080A	COVER DEODORIZER-L; HM12,PP,HB,COOL WHITE	SA	1
12	2		DA63-07083A	COVER DEODORIZER-R; HM12,PP,HB,COOL WHITE	SA	1
13	2	A0909	DA97-12797B	ASSY SHELF-REF MID; HM12-PJT,WHITE TRIM	SA	1
13-1	3		DA64-03760E	TRIM SHELF-REAR; HERMES-12,ABS,HG-06601,L	SA	4

3. Cabinet

Exploded View



Parts List

No.	Lvl.	Loc.	Material Code	Description & Specification	SNA	Qty.
1	2	A0241	DA97-12758A	ASSY COVER HINGE-UPP L; HM10-SEPM,T2.5,15	SNA	1
1-1	3	A0913	DA63-07032A	COVER-HINGE UPP L; HM10-SEPM,ABS,T2.5,156	SA	1
1-2	3	M0289	DA61-08395A	PLATE-COVER HINGE; HM10-SEPM,GI-SGCC,T0.4	SA	1
1-3	3	G0068	DA34-00043C	SWITCH REED; 13mm,UL1007 AWG 22,100,HOOK	SA	2
2	2	A0243	DA97-06159C	ASSY COVER HINGE-UPP R; GUGGENHEIM(EXP),T	SA	1
2-1	3	A0244	DA63-04180C	COVER HINGE-UPP R; GUGGENHEIM(EXP),ABS,T2	SA	1
2-2	3	G0068	DA34-00043C	SWITCH REED; 13mm,UL1007 AWG 22,100,HOOK	SA	2
3	2	M0245	DA97-06158B	ASSY HINGE LOW-L; GUGGENHEIM,BLK	SA	1
3-1	3	A0947	DA61-04191A	HINGE-LOW LEFT; GUGGENHEIM,PO-SPHC,T4.5	SNA	1
3-2	3	G0556	DA66-00560B	CAM HINGE-RISER LOW L; GUGGENHEIM,PA66,BL	SNA	1
3-3	3		6011-001442	BOLT-SOCKET; M8,L13.4,ZPC(BLK),SCM435,4mm	SNA	2
3-4	3	A0837	6021-001125	NUT-HEXAGON; 3,M8,ZPC(WHT),SWCH10A	SNA	2
4	2	M0246	DA97-06157B	ASSY HINGE LOW-R; GUGGENHEIM,BLK	SA	1
4-1	3		DA61-04190A	HINGE-LOW R; GUGGENHEIM,PO-SPHC,T4.5	SNA	1
4-2	3	G0555	DA66-00559A	CAM HINGE-RISER LOW R; GUGGENHEIM,PA66,BL	SNA	1
4-3	3		6011-001442	BOLT-SOCKET; M8,L13.4,ZPC(BLK),SCM435,4mm	SNA	2
4-5	3	A0837	6021-001125	NUT-HEXAGON; 3,M8,ZPC(WHT),SWCH10A	SNA	2
5	2	G0520	DA61-06104B	BRACKET HINGE-LOW; HM10,Al	SA	2
6	2		DA97-12691C	ASSY CABINET-BOTTOM FRAME; HM10-SEPM,BASI	SNA	1
6-1	3	A0577	DA61-00805F	FOOT-FRONT; REF-ALL,PP,BLACK,PP_S	SA	2
6-2	3	M0145	DA61-04702A	CASTER-FRONT; AW-PJT,PP,BLACK,PP(M/B 0103	SA	1
6-3	3	M0146	DA61-01920A	FIXER-CASTER; ZPC2,MSWR10,OD8.0,L58	SA	3
6-4	3	G0412	6002-000239	SCREW-TAPPING; TH,+,NO,2S,M4,L8,ZPC(WHT),	SA	3
7	2	A0807	DA63-05292A	COVER LEG-FRONT; HM10,PP,HB,STS-KP,EP448T	SNA	1
8	2	A0738	DA97-12777A	ASSY CHASSIS-COMP; HM10,IN_DOOR	SNA	1
8-1	3	M0146	DA61-01920A	FIXER-CASTER; ZPC2,MSWR10,OD8.0,L58	SA	3
8-2	3	A0527	DA61-04703A	CASTER-REAR; AW-PJT,PP,BLACK,PP M/B(0103-	SA	2

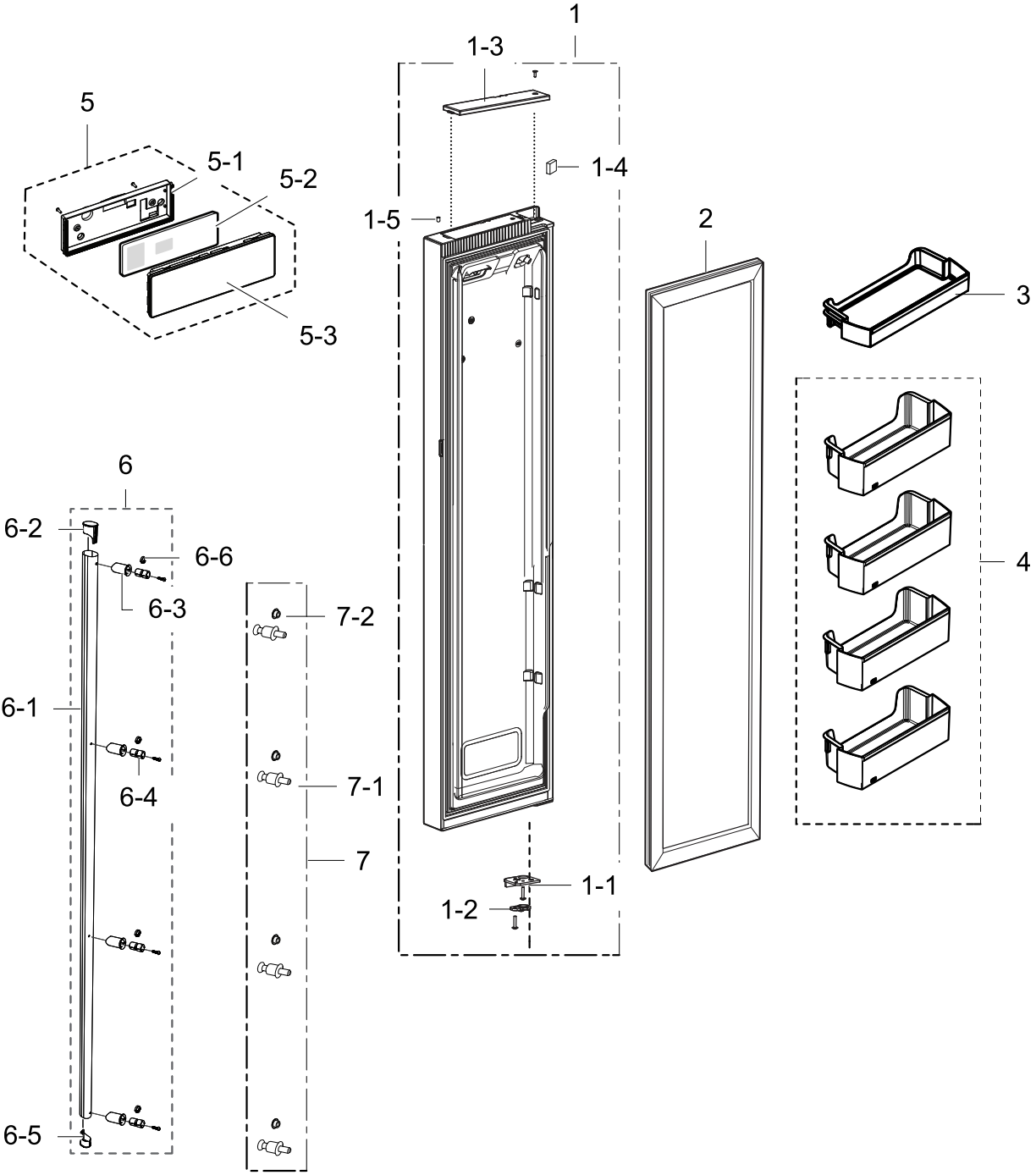
No.	Lvl.	Loc.	Material Code	Description & Specification	SNA	Qty.
8-3	3	G0580	DA97-12818A	ASSY CHASSIS-COMP SUB; HM10,IN_DOOR	SA	1
9	2	A1100	DA97-04045A	ASSY TUBE-DRAIN; ET-PJT,SOFT-PVC	SA	2
9-1	3	G0070	DA62-01268A	TUBE-PVC; A-TOP,SF-PVC,T0.7,OD19.4,L215,-	SNA	2
9-2	3	G0202	DA63-00951C	GROMMET-DRAIN HOSE; V2-PJT,NBR,BLACK	SNA	2
10	2		ENV4A5GL2J/AK3	CMP,COMP,REFRIGERATOR,R-600A; CMP,COMP,REFRIGERATOR,R-600A		1
10-1	3	A0564	6011-004061	BOLT-HEX; M6,L43.6,SWRCH10A	SNA	4
10-2	3	Z1112	DA63-02617A	GROMMET COMP; USP05,EPDM,OD27.0,BLACK	SA	4
10-3	3	Z1032	DA63-06122A	COVER RELAY; MSV,MPPO,T2.0,BLACK,V-0	SA	1
11	2	A0669	DA62-04309B	DRYER; Cu,137,SINGLE MOUTH,9g	SA	1
12	2	M0076	DA97-12759A	ASSY COVER COMP; HM10-SEPM,SGCC,T0.3	SA	1
12-1	3	Z1131	DA63-07209A	COVER COMP; HM12,GI-SGCC,T0.3	SNA	1
13	2		DA97-12874A	ASSY PIPE CONNECT; HERMES PJT	SA	1
13-1	3	M0334	DA63-40171D	GROMMET-SUCT PIPE B; RAIL L20,NBR,-,ID5.5	SA	1
13-2	3	M0016	DA62-03691A	PIPE CONNECT-SUCTION; C1220T-O,OD6.35,T0.	SA	1
14	2	G0089	DA63-05419A	COVER PCB-PANEL; HAEMIL_CULLI,GI-SGCC,T0.	SA	1
15	2		DA61-10737A	CASE PBA-MAIN; ABS,SNOW WHITE	SNA	1
16	1	A0952	DA92-00813H	ASSY PCB MAIN; HM12,247*197,A+, BASIC, HM	SA	1
17	2	A0529	DA97-12869B	ASSY TRAY DRAIN WATER; HM14 A+,C160,SPIRA	SA	1
17-1	3	M0116	DA97-15765A	ASSY SUPPORT-CIRCUIT MOTOR; C 160I	SA	1
17-1-1	4	A0768	DA61-20128A	SPRING ETC-FAN; STS304,PI8.8,ID7.8,OD9.8,	SA	1
17-2	3	M0349	DA97-03962E	ASSY PIPE-SPIRAL COND; HERMES-PJT,VE	SC	1
17-2-1	4	M0181	DA63-40128A	GROMMET-SUB COND; -,NBR,-,-,-,-,-,DARK-	SA	2
17-3	3		DA97-13057B	ASSY TRAY DRAIN WATER-SUB; HM12 SEPM	SA	1
18	2	A0273	3903-001015	CBF-POWER CORD; AT,EU,EU3F,3C,250V,16A,BI	SA	1
19	2	M0286	DA61-04188B	HINGE-UPP L; GUGGENHEIM(EXP),PO-SPHC,T3.0	SA	1
20	2	A0813	DA61-04189B	HINGE-UPP R; GUGGENHEIM(EXP),SHP1,T3.0,-,	SA	1
21	2		DA92-00763F	ASSY PCB INVERTER; INVERTER,HM12,163*98.5	SNA	1
22	2	M0489	DA27-00041B	COIL FILTER; SSLF-203AF1,14.0mH,60*82mm,B	SA	1
23	2	A0562	DA39-20389L	ASSY WIRE HARNESS-EARTH; ALL,FREE VOLT,UL	SA	1
24	2		DA60-00280A	FITTING-LOKRING 33; SUM23,33	SA	1
25	2		DA60-00281A	FITTING LOKRING; SUM23,St 56	SA	1

Exploded Views and Parts List

No.	Lvl.	Loc.	Material Code	Description & Specification	SNA	Qty.
26	2	A0523	DA73-10190U	PIPE-CONNECT DISC,B; ALL,Cu,C1220T,OD6.35	SA	1
27	1		DA92-00530A	ASSY MODULE; STD #7 SMPS,FOOD SHOWCASE,32	SA	1

4. Freezer Door

Exploded View

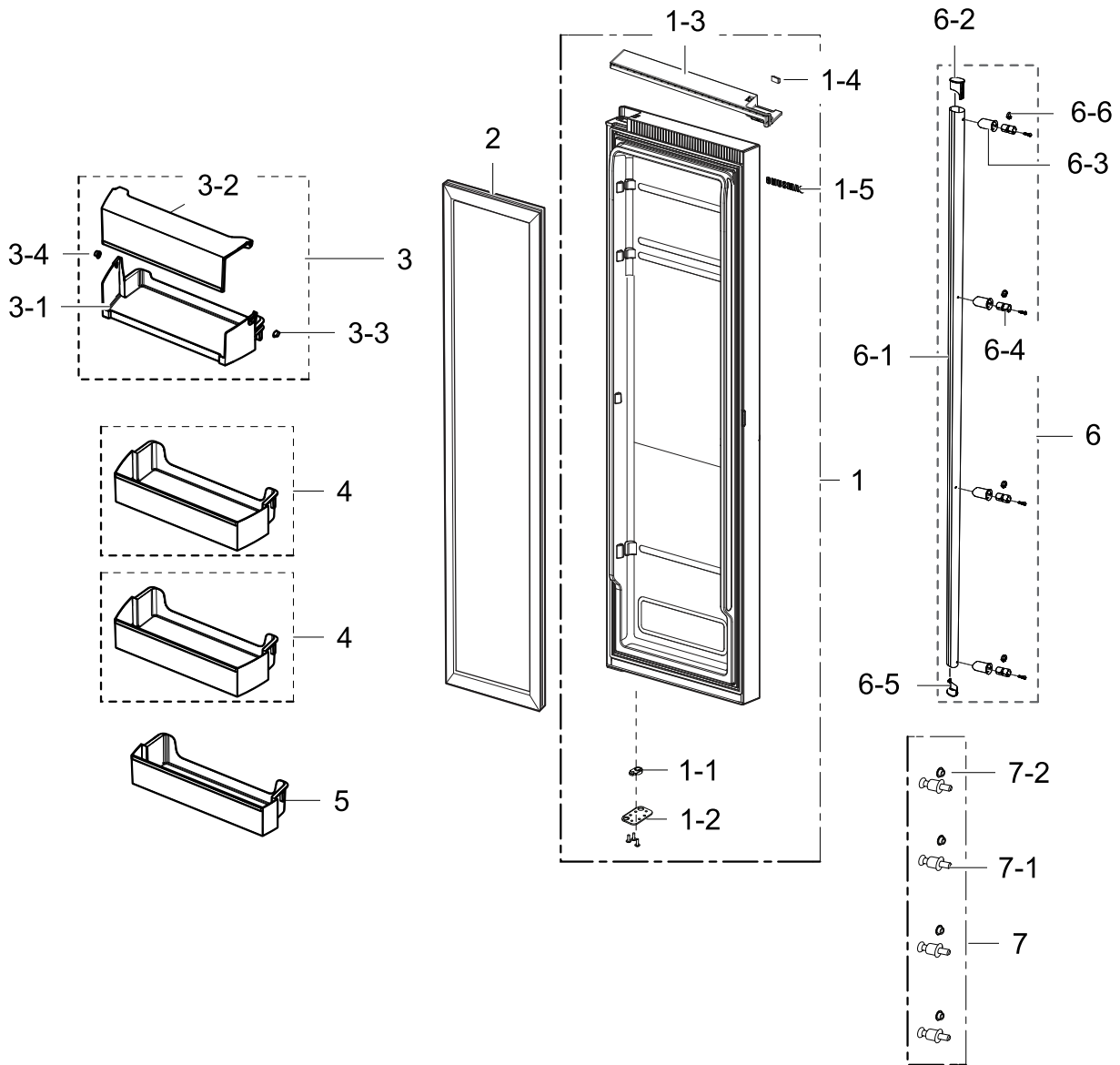


Parts List

No.	Lvl.	Loc.	Material Code	Description & Specification	SNA	Qty.
1	2	A0051	DA91-03832G	ASSY DOOR FOAM FRE; RS7528*/RS7527*,ALF,L	SA	1
1-1	5	M0221	DA61-04195A	STOPPER-DOOR L; GUGGENHEIM,SHP1,T3.0,-,-,	SA	1
1-2	5	M0265	DA66-00558B	CAM HINGE-RISER UPP L; POLARIS,PA66,BLACK	SA	1
1-3	5	M0060	DA63-04341A	COVER-CAP DOOR FRE; GUGGENHEIM,ABS,-,W61.	SA	1
1-4	5	A0534	DA61-03769A	MAGNET-A; HERMES,FERRITE,1600Gauss	SNA	2
1-5	5	M0208	DA73-00211A	RUBBER-CAP HOSE; i4-PJT,SILICON,GRAY	SA	1
2	2	G0573	DA97-12398F	ASSY-GASKET DOOR; FRE, HM10,GRAY,L1587,W3	SA	1
3	2		DA63-07069A	GUARD-FRE TOP; HM12,GPPS,TP BLUE,HB,165N,	SA	1
4	2	M0365	DA63-07068A	GUARD-FRE LOW; HM12,GPPS,TP BLUE,HB,165N,	SA	4
5	2	A0626	DA97-12828A	ASSY COVER CONTROL; HM12,BASIC	SA	1
5-1	3		DA63-05074A	COVER-PBA PANEL; HERMES09,ABS,NTR,BASIC	SNA	1
5-2	3	G0069	DA92-00403A	ASSY PCB KIT LED; LED DISPLAY,HERMES12,BA	SNA	1
5-3	3		DA97-12827A	ASSY COVER CONTROL-SUB; HM12,ACRYL+ABS,UL	SNA	1
6	2		DA97-05073Z	ASSY-HANDLE BAR REF; HERMES-PJT,-,-,MH/RS	SC	2
6-1	3	A0556	DA64-02442C	HANDLE-BAR; HERMES,Al,1633,INOX	SNA	2
6-2	3	M0062	DA67-01913A	CAP-HANDLE; HERMES,ABS,-,W20.8,L37.3,NEO	SNA	2
6-3	3	A0819	DA67-02009A	CAP-SUPT HANDLE; HERMES-PJT,ABS,-,-,-,MAN	SNA	8
6-4	3		DA61-03726A	SUPPORT-HANDLE; HERMES,PA66,-,NTR	SNA	8
6-5	3	M0062	DA67-01913B	CAP-HANDLE; HERMES,ABS,-,W20.8,L37.3,SILV	SNA	2
6-6	3		DA61-03636A	STOPPER-HANDLE; CULLINAN,SK5,-,-,-,-	SNA	8
7	2		DA97-05529C	ASSY-BRACKET HANDLE; HERMES-PJT,SWCH10A,-	SA	8
7-1	3		DA61-03725B	BRACKET-HANDLE; HERMES,SWCH10A,-,-,L31,-,	SNA	8
7-2	3		DA63-03840A	GROMMET-HANDLE; HERMES,SI,T1,NTR,DISP, 40	SNA	8

5. Fridge Door

Exploded View



Parts List

No.	Lvl.	Loc.	Material Code	Description & Specification	SNA	Qty.
1	2		DA91-03843G	ASSY DOOR-FOAM REF; RS756*/RS752*,ALF,V,L	SA	1
1-1	5	G0554	DA66-00557A	CAM HINGE-RISER UPP R; GUGGENHEIM,PA66,BL	SA	1
1-2	5	M0222	DA61-04196A	STOPPER-DOOR R; GUGGENHEIM,SHP1,T3.0,-,-,	SA	1
1-3	4		DA97-12789D	ASSY CAP DOOR REF-UPP; HM10-SEPM,T2.5,W76	SA	1
1-4	5	A0534	DA61-03769A	MAGNET-A; HERMES,FERRITE,1600Gauss	SNA	2

Exploded Views and Parts List

No.	Lvl.	Loc.	Material Code	Description & Specification	SNA	Qty.
1-5	3	M0196	DA64-04021C	MASCOT; ALL,Ni,T0.06,L90	SA	1
2	2	G0574	DA97-12398G	ASSY-GASKET DOOR; REF,HM10,GRAY,L1587,W46	SA	1
3	2	M0094	DA97-12780B	ASSY GUARD-DAIRY; HM12,GPPS,NTR	SA	1
3-1	3	A0155	DA63-07063A	GUARD-DAIRY; HM12,GPPS,TP BLUE,HB,147F,HI	SA	1
3-2	3	A0660	DA63-07070B	COVER GUARD-DAIRY; HM12,GPPS,HB,165N,TP B	SA	1
3-3	3		DA67-02920A	CAP-HINGE DAIRY R; HERMES,POM,NTR	SA	1
3-4	3		DA67-02921A	CAP-HINGE DAIRY L; HERMES,POM,NTR	SA	1
4	2		DA63-07067A	GUARD-REF TOP; HM12,GPPS,TP BLUE,HB,165N,	SA	2
5	2	M0369	DA63-07062A	GUARD-REF LOW; HM12,GPPS,TP BLUE,HB,165N,	SA	1
6	2		DA97-05073Z	ASSY-HANDLE BAR REF; HERMES-PJT,-,-,MH/RS	SC	2
6-1	3	A0556	DA64-02442C	HANDLE-BAR; HERMES,Al,1633,INOX	SNA	2
6-2	3	M0062	DA67-01913A	CAP-HANDLE; HERMES,ABS,-,W20.8,L37.3,NEO	SNA	2
6-3	3	A0819	DA67-02009A	CAP-SUPT HANDLE; HERMES-PJT,ABS,-,-,MAN	SNA	8
6-4	3		DA61-03726A	SUPPORT-HANDLE; HERMES,PA66,-,NTR	SNA	8
6-5	3	M0062	DA67-01913B	CAP-HANDLE; HERMES,ABS,-,W20.8,L37.3,SILV	SNA	2
6-6	3		DA61-03636A	STOPPER-HANDLE; CULLINAN,SK5,-,-,-,-	SNA	8
7	2		DA97-05529C	ASSY-BRACKET HANDLE; HERMES-PJT,SWCH10A,-	SA	8
7-1	3		DA61-03725B	BRACKET-HANDLE; HERMES,SWCH10A,-,L31,-,	SNA	8
7-2	3		DA63-03840A	GROMMET-HANDLE; HERMES,SI,T1,NTR,DISP, 40	SNA	8