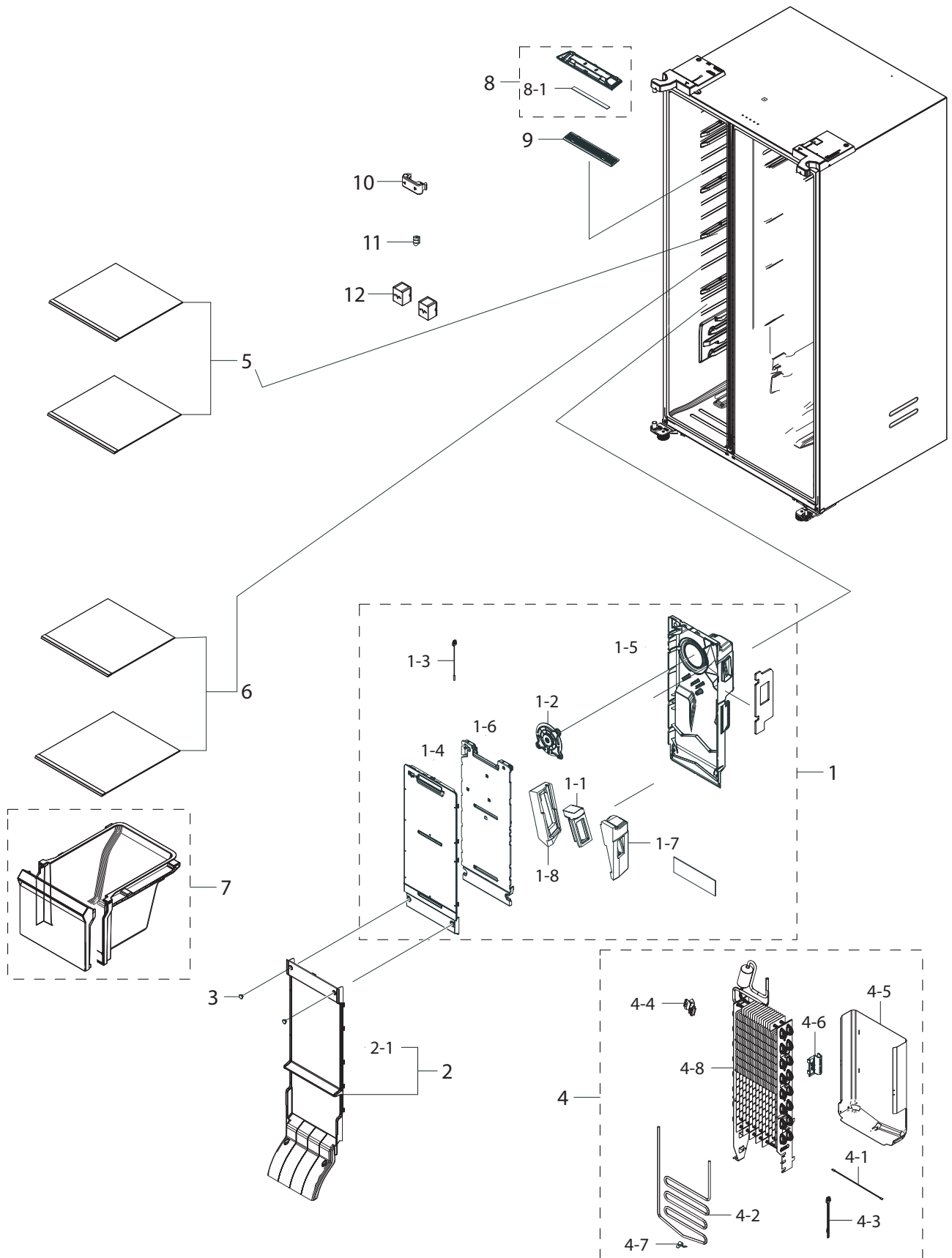


RS5300T] RS27T5200S9/BG EXPLODED VIEW AND PARTS LIST

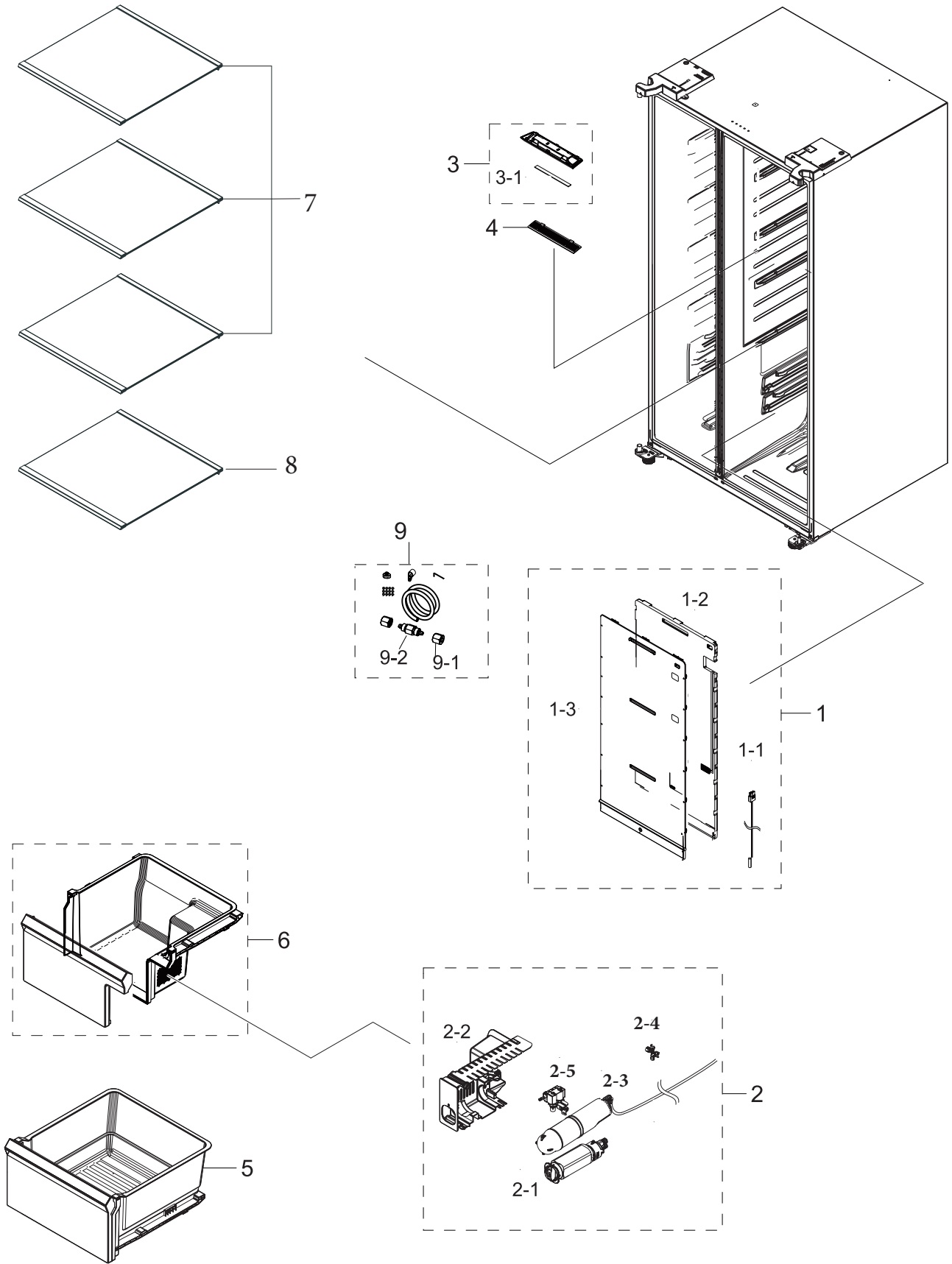
■ FREEZER



Service Bom (SA: SERVICE AVAILABLE, SNA: SERVICE NOT AVAILABLE)

No.	MATERIAL CODE	PART NAME	SPECIFICATION	QTY	STATUS
1	DA97-20713A	ASSY COVER MULTI-FRE MULTI MODULE	RS5300T,NON METAL	1	SA
1-1	DA31-00333E	MOTOR GEARED DC DAMPER	NSBA001TQ1,2.5rpm,DC12V,60mA,2.5rpm,60mA,62X50X143.75mm,-30to+40C,0.72W,CW/CCW,1kgf.cm,/600mm Heater 3W / Use Flat Cable	1	SA
1-2	DA31-00342A	MOTOR BLDC FAN	ARES2130RA/LT-W39005,1850RPM,12V,0.35A,4.2W,F135,FC connector,-30to+60C	1	SA
1-3	DA32-00070T	SENSOR TEMP	SC41198-021A,L700,13.2Kohm,2%,0C,7phi	1	SA
1-4	DA63-09694A	COVER MULTI-FRE	RS5300T,PP,HB,COOL WHITE,49MK45	1	SNA
1-5	DA63-09695A	COVER MULTI-FRE REAR	RS5300T,PP,HB,INNER GRAY,CNTK-P101,RECYCLED, CNTK-P101	1	SNA
1-6	DA62-05385A	INSULATION DUCT-FRE FRONT	RS5300T,EPS,SE300	1	SNA
1-7	DA62-05298A	INSULATION DUCT-SUB	RS5000RC,EPS,S-450	1	SNA
1-8	DA62-05299A	INSULATION DUCT-SUB UP	RS5000RC,EPS,S-450	1	SNA
2	DA97-20714A	ASSY COVER EVAP-FRE COVER EVAP MODULE	RS5300T	1	SA
2-1	DA63-09696A	COVER EVAP-FRE	RS5300T,PP,HB,COOL WHITE,49MK45	1	SNA
3	DA67-30266K	CAP SCREW	A-TOP,PP,T1.5,HB,BJ750,COOL WHITE,-	4	SA
4	DA96-01384C	ASSY EVAP-FRE EVAP MODULE	RS5300T,Fin Tube,230V,300W,1 EVAP, ONLY R600A	1	SA
4-1	DA32-00024L	SENSOR TEMP	PX-41C,L250,13.2kohm,2%,0C,7phi	1	SA
4-2	DA47-00522B	HEATER METAL SHEATH	AC230V,RS5000T FRE,176.3ohm,300W,INCOLOY840,1915mm,BIMETAL,35965-9210 (2EA),MgO	1	SA
4-3	DA47-00301B	THERMO FUSE-ASSY	AC250V,10A,109~110°C,S.O.D,ETC(WIRE)	1	SA
4-4	DA61-00603A	FIXER SENSOR	All model,PP,T2,BLACK,-,TYP1000	1	SA
4-5	DA61-04026A	PLATE DRAIN	ES-PJT,GL-SGLCC,T0.3,-,-,-,-,-	1	SA
4-6	DA61-07411A	FIXER-FUSE	NW2,PP,NATURAL,BJ750	1	SA
4-7	DA61-07451A	PLATE-EVAP HEATER	NW2,Al,T0.7,-,-,-,-,-	1	SNA
4-8	DA59-00624B	EVAPORATOR-FRE	Fin Tube,RS5300T(UL SPEC.),2,A1070,8,A	1	SNA
5	DA97-20645A	ASSY SHELF-FRE UP SHELF MODULE	RS5300T	4	SA
6	DA97-20646A	ASSY SHELF-FRE LOW SHELF MODULE	RS5300T	1	SA
7	DA97-20630A	ASSY CASE BASKET-LOW DRAWER MODULE	RS5300T	1	SA
8	DA97-19899C	ASSY CASE LAMP-FRE LEFT	RB7300T,T2.0,COOL WHITE,LED 3EA	1	SA
8-1	DA96-01119A	ASSY LAMP LED	3EA,FR-4,150*12,WHITE,SMAW250-(H)03G,MAX199mA,DC12V,MIN140lx,OVER 80	1	SA
9	DA63-09898A	COVER LAMP	RB7300T,GPPS,T2,HB,TP BLUE,-,HH104	1	SNA
10	DA67-04922A	CAP SENSOR	RS5300T,PP,-,-,B380G,COOL WHITE,-	1	SA
11	DA63-08943A	GROMMET	BRR9000M,NBR,CAPI GROMMET	1	SA
12	DA63-03788B	COVER-FIXER HOUSING	W07,GI-SGCC,T0.4	2	SA

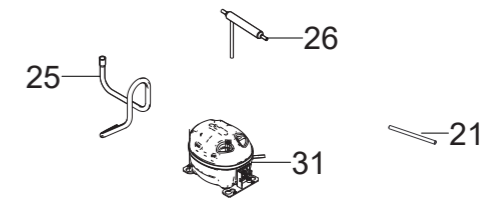
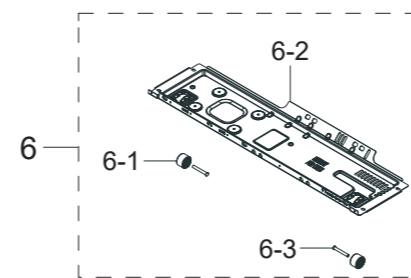
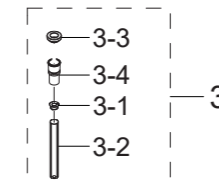
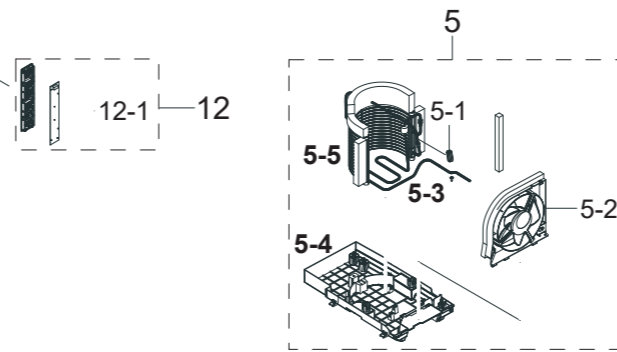
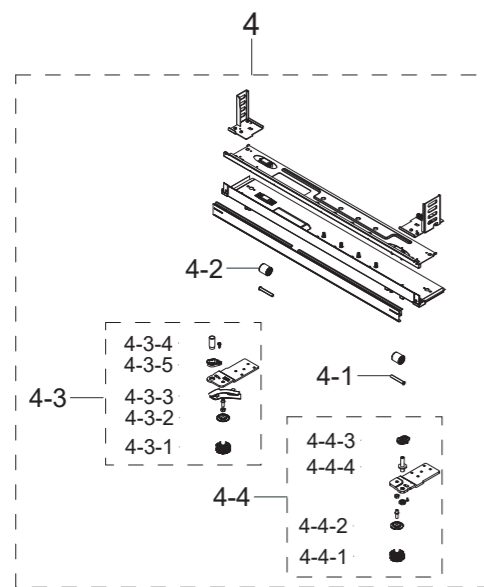
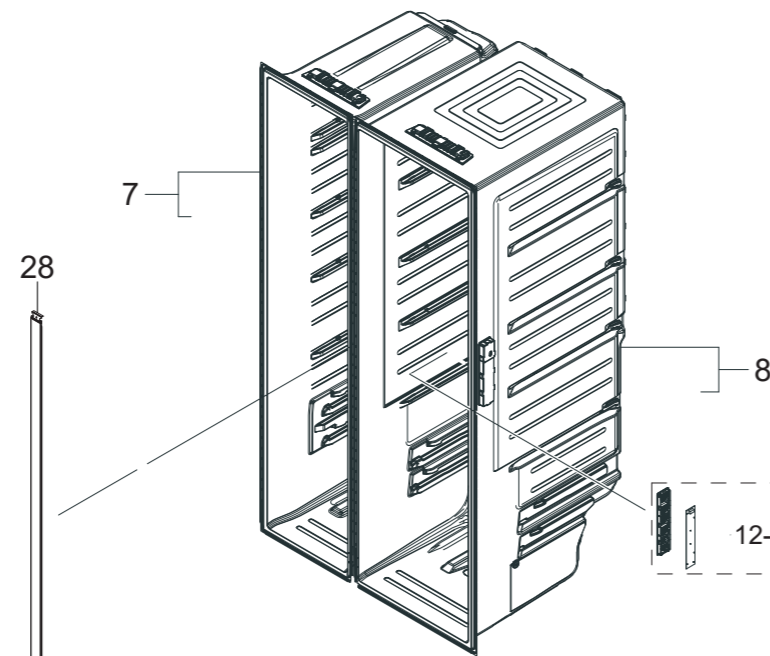
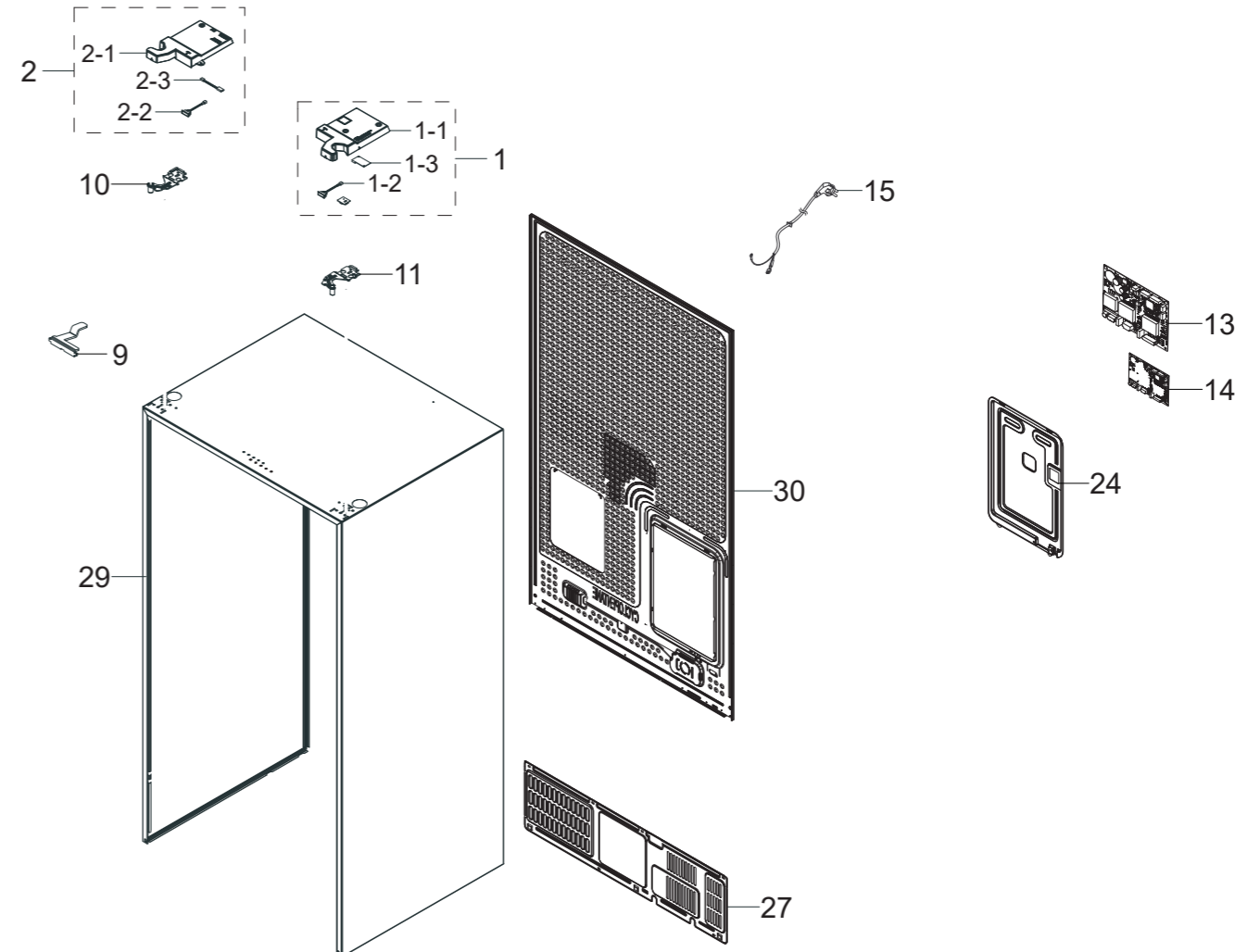
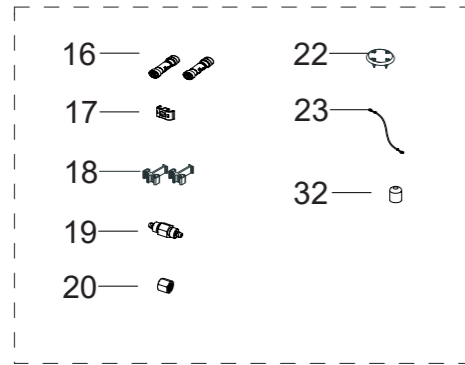
REFRIGERATOR



Service Bom (SA: SERVICE AVAILABLE, SNA: SERVICE NOT AVAILABLE)

No	MATERIAL CODE	PART NAME	SPECIFICATION	QTY	STATUS
1	DA97-20712A	ASSY COVER MULTI-REF MULTI MODULE	RS5300T	1	SA
1-1	DA32-00070S	SENSOR TEMP	SC41200-021A,L650,13.2kohm,2%,0C,7phi	1	SA
1-2	DA62-05389A	INSULATION DUCT-REF	RS5300T,EPS,SE300	1	SNA
1-3	DA63-09697A	COVER MULTI-REF	RS5300T,PP,HB,COOL WHITE,49MK45	1	SNA
2	DA97-20674A	ASSY CASE FILTER	RS5300T,220V FS	1	SA
2-1	DA63-08839B	FILTER-WATER	RF8000MC,PP,COOL WHITE,CARTRIDGE NSF53	1	SNA
2-2	DA63-09712A	COVER FILTER	RS5300T,HIPS,T2.5,COOL WHITE,S834S1	1	SNA
2-3	DA97-13854D	ASSY TANK WATER-REF	RS5000RC,PP,T3.5,NATURAL	1	SNA
2-4	DA61-10404A	GUIDE HOSE	PP,HB,BJ750,COOL WHITE,L	5	SNA
2-5	DA62-04027C	VALVE WATER	AC220-240V,230,2WAY,L-Wire,1,2,NO	1	SNA
3	DA97-19899D	ASSY CASE LAMP-REF	RB7300T,T2.0,COOL WHITE,LED 5EA	1	SA
3-1	DA96-01119B	ASSY LAMP LED	5,FR-4,150*12,WHITE,SMAW250-(H)03G,288mA~352mA,DC12V,MIN 260lx,OVER 80	1	SA
4	DA63-09898A	COVER LAMP	RB7300T,GPPS,T2,HB,TP BLUE,-,HH104	1	SNA
5	DA97-20631A	ASSY CASE VEG-UP DRAWER MODULE	RS5300T	1	SA
6	DA97-20633A	ASSY CASE VEG-LOW DRAWER MODULE	RS5300T,DISP	1	SA
7	DA97-20645A	ASSY SHELF-FRE UP SHELF MODULE	RS5300T	4	SA
8	DA97-20646A	ASSY SHELF-FRE LOW SHELF MODULE	RS5300T	1	SA

CABINET



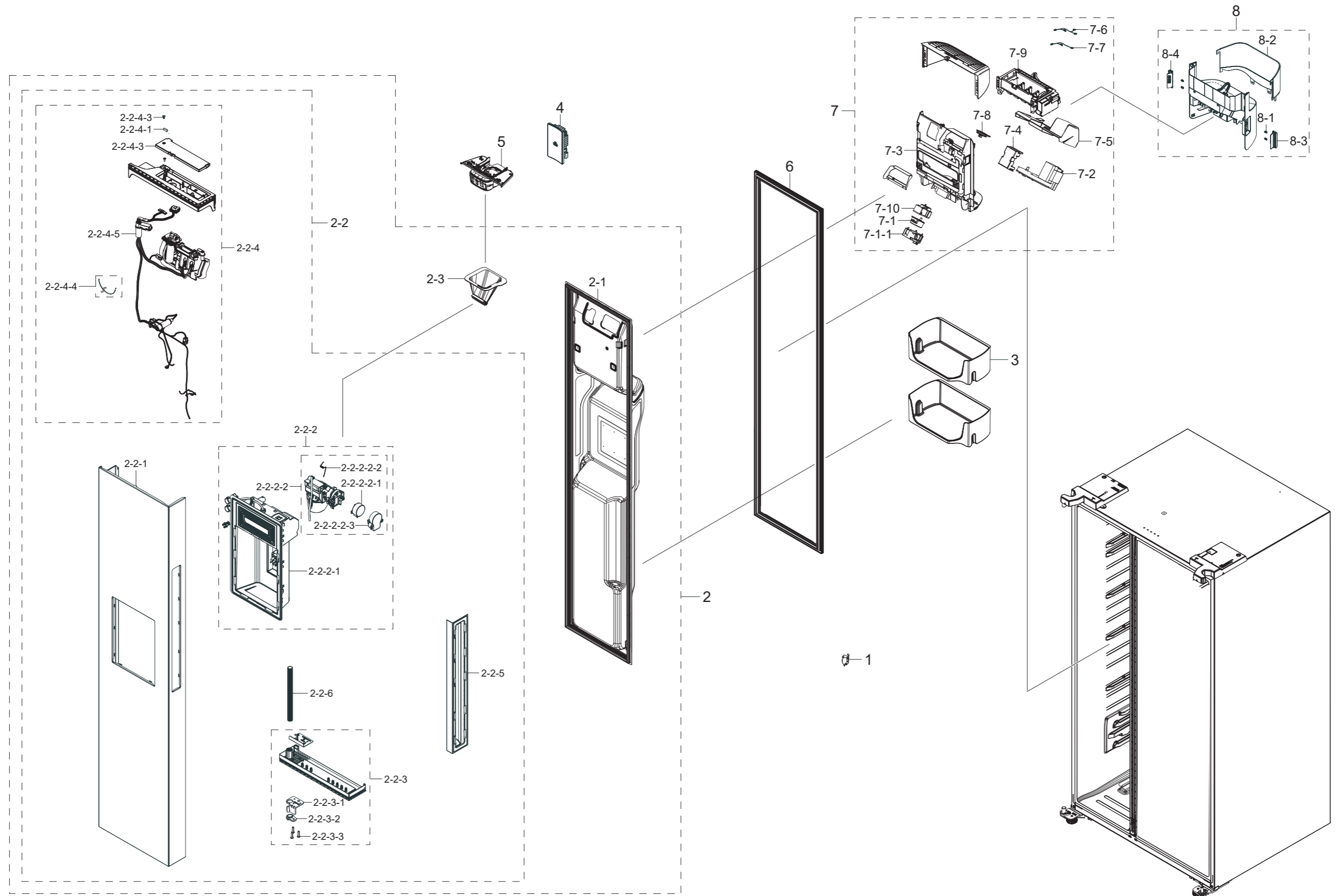
Service Bom (SA: SERVICE AVAILABLE, SNA: SERVICE NOT AVAILABLE)

No.	MATERIAL CODE	PART NAME	SPECIFICATION	QTY	STATUS
1	DA97-20734A	ASSY COVER HINGE-REF	RS53000TC,ASSY,T2.3,INOX GRAY	1	SA
1-1	DA63-09699A	COVER HINGE-REF	RS53000TC,ABS,T2.3,INOX GRAY,ABS2100	1	SNA
1-2	DA34-00043J	SWITCH REED	UL1007 AWG 22,50mm	1	SA
1-3	DA92-01137C	ASSY MODULE	DISPLAY,RS5000R,209*36,6KEY,TACT SW,ADA,Dispenser or Flexzone,Standard	1	SNA
2	DA97-20733A	ASSY COVER HINGE-FRE	RS53000TC,ASSY,T2.3,INOX GRAY	1	SA
2-1	DA63-09703A	COVER HINGE-FRE	RS53000TC,ABS,T2.3,INOX GRAY,ABS2100	1	SNA
2-2	DA34-00043J	SWITCH REED	UL1007 AWG 22,50mm	1	SA
2-3	DA32-00074A	SENSOR HUMIDITY	5V,0~100%RH,REF	1	SA
3	DA97-04049E	ASSY CAP-DRAIN	AW3	1	SA
3-1	DA61-04773A	FIXER-DRAIN	AW-PJT,PP,NATURAL,-,P740J	1	SNA
3-2	DA62-01266B	TUBE PVC	AW3,PVC,OD19.4,L155,BLACK	1	SA
3-3	DA63-02761A	GROMMET-DRAIN	RS18RK,NBR,BLACK	1	SA
3-4	DA67-01301A	CAP-DRAIN	AW4,HIPS,HB,576H,NATURAL	1	SNA
4	DA97-20754A	ASSY CABI-BOTTOM FRONT	RS5300T/TC,ULBAN SILVER	1	SNA
4-1	DA61-01920A	FIXER-CASTER	ZPC2,SWRCH10A,OD8.0,L58	2	SA
4-2	DA61-04702A	CASTER-FRONT	AW-PJT,PP,BLACK	2	SA
4-3	DA97-14046B	ASSY HINGE-LOW LEFT	FSR CD,DISPENSER	1	SA
4-3-1	DA61-07972B	FOOT-FRONT	POLARIS,PP,BLACK,-,P-002HB,INSERT NUT, PP_S	1	SA
4-3-2	DA61-07973B	FOOT	POLARIS,PP,BLACK,-,P-002HB,PP_S	1	SA
4-3-3	DA63-09717A	COVER GUIDE HOSE	RS5300T,PP,T1.5,NATURAL,49MK45	1	SNA
4-3-4	DA66-00716D	SHAFT HINGE-LOW LEFT	FSR CD,SM45C,OD18.3,ID15.0	1	SNA
4-3-5	DA66-01127A	CAM RISER-FRE LOW	FSR CD,PA66+GF15%,BLACK,-,KN333G15,ANNEALING	1	SA
4-4	DA97-20700A	ASSY HINGE-LOW RIGHT	RS5300T,T7	1	SA
4-4-1	DA61-07972B	FOOT-FRONT	POLARIS,PP,BLACK,-,P-002HB,INSERT NUT, PP_S	1	SA
4-4-2	DA61-07973B	FOOT	POLARIS,PP,BLACK,-,P-002HB,PP_S	1	SA
4-4-3	DA66-00891A	CAM-HINGE RISER REF LOW	MONTES ALPHA,PA66+GF15%,BLACK,-,KN333G15,ANNEALING	1	SA
4-4-4	DA66-00911A	SHAFT-HINGE LOW REF	POLARIS,SWCH10A,Zn PLATING	1	SA
5	DA97-20718C	ASSY TRAY DRAIN WATER	RS5300T,Latin America, C160N, PFC B	1	SA
5-1	DA63-40171B	GROMMET-SUCT PIPE A	NBR,ID4,OD20	1	SNA
5-2	DA97-15765C	ASSY SUPPORT-CIRCUIT MOTOR	RH9000K	1	SA
5-3	DA62-05399B	PIPE IMMERRING-OUT	RS5300T,TSW,OD4.76,T0.7,PFC B	1	SNA
5-4	DA63-09685A	TRAY DRAIN-WATER	RS5300T,PP,HB,BLACK,PFC COND	1	SNA
5-5	DA97-17855A	ASSY CONDENSER-MAIN	PFC-B,A1100,FIN,PLATE,-,-,-	1	SNA
6	DA97-21034A	ASSY CHASSIS COMP	RF6000T,GI-SGCC,T1.2,No Handle	1	SA
6-1	DA61-04703A	CASTER-REAR	AW-PJT,PP,BLACK,M/B(0103-002777),+TPE, BJ750 PP	2	SNA
6-2	DA64-06266A	CHASSIS COMP	RF6000T,GI-SGCC,T1.2,No Handle	1	SNA
6-3	DA66-00649B	SHAFT-CASTER	POLARIS,MSWR10,L44,ID8.0,OD11,ZPC2	2	SA
7	DA94-05114B	ASSY LINER-FRE	RS5300T,FS	1	SNA

Service Bom (SA: SERVICE AVAILABLE, SNA: SERVICE NOT AVAILABLE)

No.	MATERIAL CODE	PART NAME	SPECIFICATION	QTY	STATUS
8	DA94-05115C	ASSY LINER-REF	RS5300T,FS	1	SNA
9	DA61-04932A	FIXER HINGE-UPP	AW1-12,GI-SGCC,T3	2	SA
10	DA61-13824A	HINGE-UP LEFT	RS5300TC,PO-SPHC,T3,-,-,-,-	1	SA
11	DA61-13818A	HINGE-UP RIGHT	RS5300TC,PO-SPHC,T3,-,-,-,-	1	SA
12	DA97-19962X	ASSY COVER CONTROL	RS5300T/TC,DISP	1	SA
12-1	DA67-04727B	REFLECTOR	AW3,4_FACE LIFT,ABS,-	2	SNA
13	DA92-01196K	ASSY PCB MAIN	RS5300T,165x242,220V,12V,5V,FS,Dispenser, ISO, C,Y,SMPS,Standard	1	SA
14	DA92-01137C	ASSY MODULE	DISPLAY,RS5000R,209*36,6KEY,TACT SW,ADA,Dispenser or Flexzone,Standard	1	SNA
15	3903-001009	POWER CORD-AT	H05VV-F 3x0.75mm2,BLK,AR3S-5,250V/10A,Fuse N,SCREW 1,2P Housing(W to W),L1700,L1500,20/100/100/200,ARG,IR AM,Label Y	1	SA
16	DA60-00258B	FITTING TUBE	PP,ID1/4,1/4'- 1/4'	2	SA
17	DA61-04712C	FIXER-HOSE	AW,ABS,INNER GRAY,-,CNTK A-204,RECYCLED	1	SA
18	DA61-13913A	FIXER	RS5300T,ABS,T1.5,NEAT WHITE,HG-0760GP,PIPE HOT FIXER	2	SA
19	DA62-01378B	VALVE-FITTING PU	AT06,C3604	1	SNA
20	DA74-00070B	VALVE-FITTING NUT	A-TOP,C3604,gold	2	SA
21	DA62-05545A	PIPE CONNECT-DISC	Cu,OD6.35,T0.65,C1220T,L90	1	SNA
22	DA63-04598B	COVER-URETHANE	SSEDA/AW-PJT,ABS,-,-,-,-,-,NATURAL,-,-,-,VE-0856,-,-,-,-,5VA,-	1	SA
23	DA39-00429D	ASSY WIRE HARNESS-EARTH	EARTH,ALL,FREE VOLT,UL+IEC,UL,120mm,1,ST710489-3*2,UL	1	SA
24	DA97-23420A	ASSY COVER PCB-PANEL	AW1-12/RS5300T,ASSY	1	SA
25	DA97-20814B	ASSY PIPE CONNECT	RS5300T,Non UL Shrinkage tube,C1220T,-,-,-,-	1	SA
26	DA62-04309F	DRYER	C1220T-H,L137,SINGLE MOUTH,UL Marking (PMS185C),OD15.8,9g	1	SA
27	DA97-12749Q	ASSY COVER COMP	RF6000T, RS5300,GI-SGCC,T0.25	1	SA
28	DA97-07707J	ASSY CABI FRAME-MIDDLE FRONT	RS5000RC,0.6,THAI-SILVER	1	SNA
29	DA97-20738A	ASSY CABI FRAME	RS5300T,GI,T0.4,URBAN SILVER	1	SNA
30	DA97-23349A	ASSY CABI FRAME-REAR	RS5300T,Size Redcution	1	SNA
31	NF54M5151ARTT3	CMP,COMP,REFRIGERATOR,R-600A	0	1	-
32	DA73-00211A	RUBBER-CAP HOSE	RS8000,Si,-,-,GRAY,-	1	SA

■ DOOR FRE



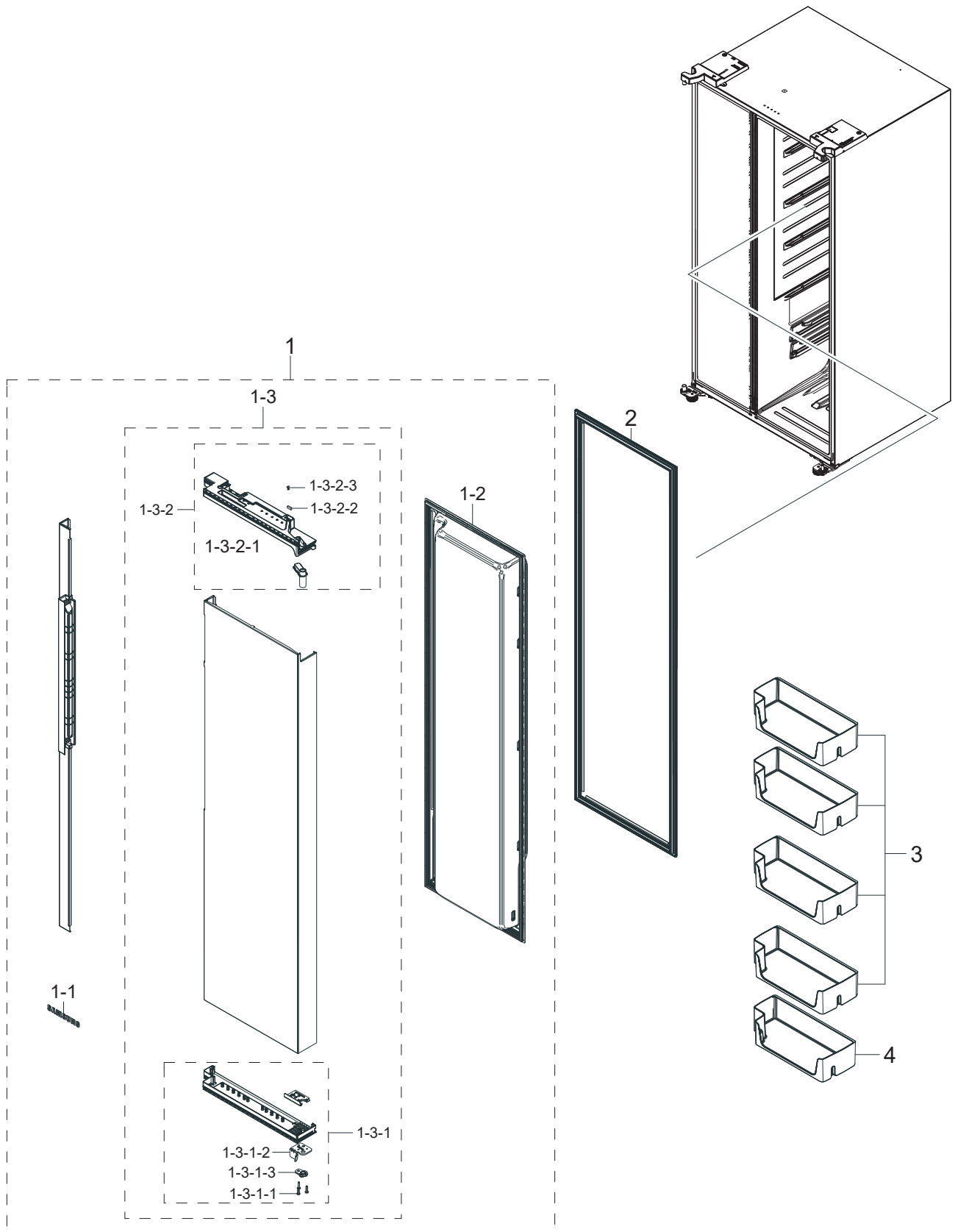
Service Bom (SA: SERVICE AVAILABLE, SNA: SERVICE NOT AVAILABLE)

No.	MATERIAL CODE	PART NAME	SPECIFICATION	QTY	STATUS
1	3405-001117	SWITCH-MICRO	125/250VAC,1A,80gf,SPST-NO LEVER,T105,BK	1	SNA
2	DA91-05231J	ASSY DOOR FOAM-FRE	RS5300T,MATT DOI METAL(S9),220V, DISP	1	SA
2-1	DA64-06179A	PANEL-FRE	RS5300T,ABS,T1.5,W1250,L1980,QU-0191S,COOL WHITE,DISP Y	1	SNA
2-2	DA97-20764G	ASSY PLATE DOOR-FRE	RS5300T,MATT DOI METAL(S9),220V,	1	SNA
2-2-1	DA61-13831H	PLATE DOOR-FRE	RS5300T,EGI-SECC,T0.5,MATT DOI METAL,DISP,PETHP,SV9021	1	SNA
2-2-2	DA97-20772H	ASSY CASE DISPENSER	RS5300T,DARK GRAY,220V	1	SNA
2-2-2-1	DA61-13829E	CASE DISPENSER	RS5300T,ABS,T3,DARK GRAY,HG-0760GP	1	SNA
2-2-2-2	DA97-19028A	ASSY CASE ICE ROUTE	RS8000NC,220V	1	SA
2-2-2-2-1	DA31-00079A	MOTOR GEARED AC DISP	MVLA15AR11/MCFA182AA,15.2rpm/18.2rpm,AC220-240V,20mA,40mA,57.2x54x23mm,-10to+60C,4W,CW,4kgf.cm,CW/8 pole	1	SA
2-2-2-2-2	DA61-01914A	SPRING ETC-COVER ICE ROUTE	QUEEN,STS304,ID5.5,OD7.5	1	SA
2-2-2-2-3	DA63-07654A	COVER MOTOR	FSR,HIPS,HB,NATURAL,576H	1	SNA
2-2-3	DA97-23182A	ASSY CAP DOOR-FRE LOW	RS5300T DISPENSER,INNER GRAY,RECYCLED ABS	1	SNA
2-2-3-1	DA61-07527A	STOPPER-DOOR FRE LOW	POLARIS,PO-SPHC,T4.0	1	SA
2-2-3-2	DA66-00558B	CAM HINGE-RISER UPP L	POLARIS,PA66+GF15%,BLACK,-,KN333G15,ANNEALING	1	SA
2-2-3-3	6001-001377	SCREW-MACHINE	TH,+,M5,L25,ZPC(WHT),SWRCH18A,FP	3	SNA
2-2-4	DA97-20779D	ASSY CAP DOOR-FRE UP	RS5300T,INOX GRAY, 220V,DISP	1	SNA
2-2-4-1	DA61-03769A	MAGNET-A	HERMES,FERRITE,5x7x18,1600Gauss	1	SA
2-2-4-2	DA63-05327D	COVER-CAP DOOR FRE	SSEDA,HIPS,-,HB,NATURAL,-,5470	1	SA
2-2-4-3	DA67-02795B	CAP-SHAFT HOLE	AW-PJT,PP,T4,HB,BJ750,NATURAL	1	SA
2-2-4-4	DA97-19469B	ASSY PIPE WATER LINE	RS5000,PE-RT,ORANGE,1/4inch,2410mm,-,-,-,D6.35,-,PLUMBING	1	SNA
2-2-4-5	DA96-01389A	ASSY WIRE HARNESS-DOOR	RS5300T,DISP,IN-DOOR IM,SBS,4,YES,YES,YES,220~240VAC,IEC,UL+IEC,UL,NA,1,DA63-05241A,FRE DOOR	1	SNA
2-2-5	DA97-20161C	ASSY HANDLE-FRE	RS5300T,BLACK,ASSY, RECESS HANDLE,AL TAPE	1	SA
2-2-6	DA73-10469L	PIPE-WATER	SBS,2007GVE,PVC,L250,LIGHT GRAY,LF-G31	1	SNA
2-3	DA97-20160B	ASSY GUIDE ICE ROUTE	RS5300T,Assy	1	SNA
3	DA97-20641A	ASSY GUARD-FRE UP DOOR BIN MODULE	RS5300T/TC,GPPS,T3,TP BLUE	2	SA
4	DA97-21146A	ASSY LEVER DISPENSER	RS5300T,EBONY BLACK	1	SA
5	DA97-19031H	ASSY COVER DISPENSER	RS5300,DARK GRAY, BLACK	1	SA
6	DA97-20743B	ASSY GASKET-FRE	RS5300T,INNER GRAY	1	SA
7	DA97-21215C	ASSY CASE AUGER MOTOR	RS5300T,INDOOR, 220V	1	SA
7-1	DA31-00079A	MOTOR GEARED AC DISP	MVLA15AR11/MCFA182AA,15.2rpm/18.2rpm,AC220-240V,20mA,40mA,57.2x54x23mm,-10to+60C,4W,CW,4kgf.cm,CW/8 pole	1	SA
7-1-1	DA63-04356B	COVER MOTOR-FRONT	GUGGENHEIM,HIPS,NATURAL,576H	1	SNA
7-2	DA31-00210E	MOTOR GEARED AC AUGER	ISG-3245SSB/ORG-4501P3,AC220-240V,CA,14.3rpm,1.58A,T45,CCW, In-Door(Wide), T/P 80/55°C	1	SA
7-3	DA61-13945B	SUPPORT CASE AUGER	RS5000T,HIPS,T2.5,S834S1,COOL WHITE,-	1	SNA
7-4	DA63-05515A	COVER-MOTOR AUGER COIL	GGH,ABS,-,-,SNOW WHITE,-,-VE-0858	1	SNA
7-5	DA63-09324A	COVER CASE AUGER	RS8000NC,HIPS,T2.5,HB,NATURAL,5470	1	SA
7-6	DA96-01037D	ASSY WIRE HARNESS-AUGER	ALL,AUGER(NO BUCKET S/W),ALL,YES,YES,YES,FREE VOLT,UL+IEC,UL,UL	1	SA
7-7	DA97-00151B	SWITCH REED	UL1007 AWG 22,230,35151-0210,2.5,5,230	1	SA
7-8	DA97-11248A	ASSY-CAM LEVER CUBE	INDOOR	1	SA
7-9	DA97-21968A	ASSY ICE MAKER-MECH	RS5300T,INDOOR	1	SA
7-10	DA63-01412B	COVER-MOTOR GEARED	GUGGENHEIM,HIPS,NATURAL,S834S1	1	SNA

Service Bom (SA: SERVICE AVAILABLE, SNA: SERVICE NOT AVAILABLE)

No.	MATERIAL CODE	PART NAME	SPECIFICATION	QTY	STATUS
8	DA97-19968C	ASSY TRAY ICE	RS5000RC,TL,INDOOR	1	SA
8-1	DA61-04378A	SPRING ETC-BUCKET LEVER	GUGGENHEIM,STS304	4	SNA
8-2	DA64-05918A	WINDOW BUCKET	RS5000RC,PCTG,T4,W296,L115,HB,T90G, NATURAL,TRANSPARENT	1	SNA
8-3	DA66-00587A	LEVER-BUCKET L	GUGGENHEIM,ABS,-,W76.7,L19.4,SV- 0157,COOL WHITE,-	1	SNA
8-4	DA66-00588A	LEVER-BUCKET R	GUGGENHEIM,ABS,-,W77.2,L70.9,SV- 0157,COOL WHITE,-	1	SNA

■ DOOR REF



Service Bom (SA: SERVICE AVAILABLE, SNA: SERVICE NOT AVAILABLE)

No.	MATERIAL CODE	PART NAME	SPECIFICATION	QTY	STATUS
1	DA91-05229B	ASSY DOOR FOAM-REF	RS5300T,MATT DOI METAL(S9),BASIC	1	SA
1-1	DA64-04020A	MASCOT	All,Ni	1	SA
1-2	DA64-06176A	PANEL-REF	RS5300T,ABS,T1.5,W1250,L1980,QU-0191S,COOL WHITE,BASIC	1	SNA
1-3	DA97-20765C	ASSY PLATE DOOR-REF	RS5300T,MATT DOI METAL(S9),BASIC	1	SNA
1-3-1	DA97-23183A	ASSY CAP DOOR-REF LOW	RS5300T,INNER GRAY,RECYCLED ABS	1	SNA
1-3-1-1	6001-001377	SCREW-MACHINE	TH,+,M5,L25,ZPC(WHT),SWRCH18A,FP	3	SNA
1-3-1-2	DA61-07526A	STOPPER-DOOR REF LOW	POLARIS,PO-SPHC,T4.0	1	SA
1-3-1-3	DA66-00557A	CAM HINGE-RISER UPP R	GUGGENHEIM,PA66+GF15%,BLACK,-,KN333G15	1	SA
1-3-2	DA97-20774B	ASSY CAP DOOR-REF UP	RS5300T,INOX GRAY	1	SNA
1-3-2-1	DA67-04995A	CAP DOOR-REF UP	RS5300,ABS,T2.3,HG-0760GP,INOX GRAY,BASIC OPTION	1	SNA
1-3-2-2	DA61-03769A	MAGNET-A	HERMES,FERRITE,5x7x18,1600Gauss	1	SA
1-3-2-3	DA67-02795B	CAP-SHAFT HOLE	AW-PJT,PP,T4,HB,BJ750,NATURAL	1	SA
2	DA97-20742B	ASSY GASKET-REF	RS5300T,INNER GRAY	1	SA
3	DA97-20638A	ASSY GUARD-REF UP DOOR BIN MODULE	RS5300T/TC,GPPS,T3,TP BLUE	4	SA
4	DA97-20639A	ASSY GUARD-REF LOW DOOR BIN MODULE	RS5300T,GPPS,T3,TP BLUE,F/S	1	SA