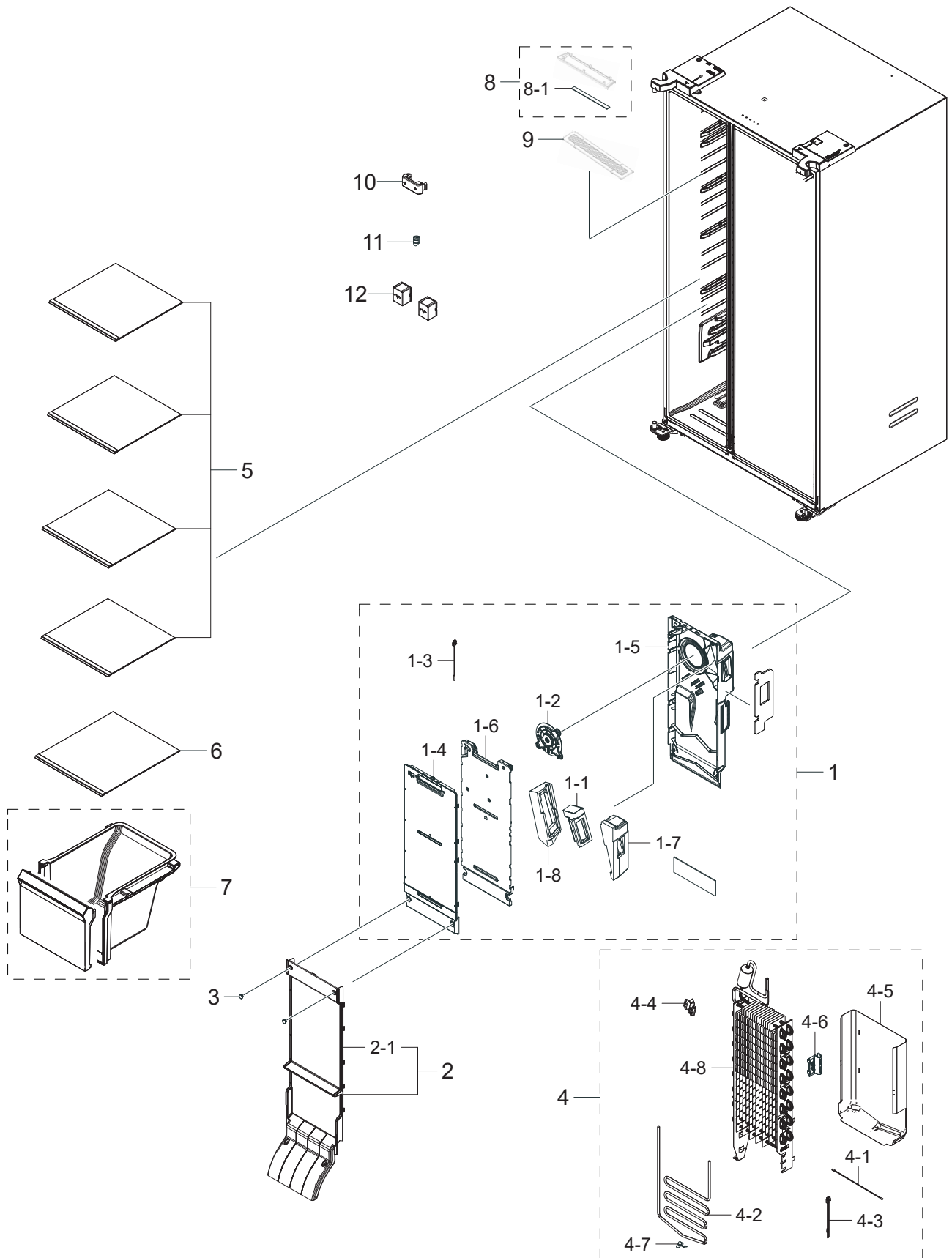


RS5300TJ RS27T5200S9/BG EXPLODED VIEW AND PARTS LIST

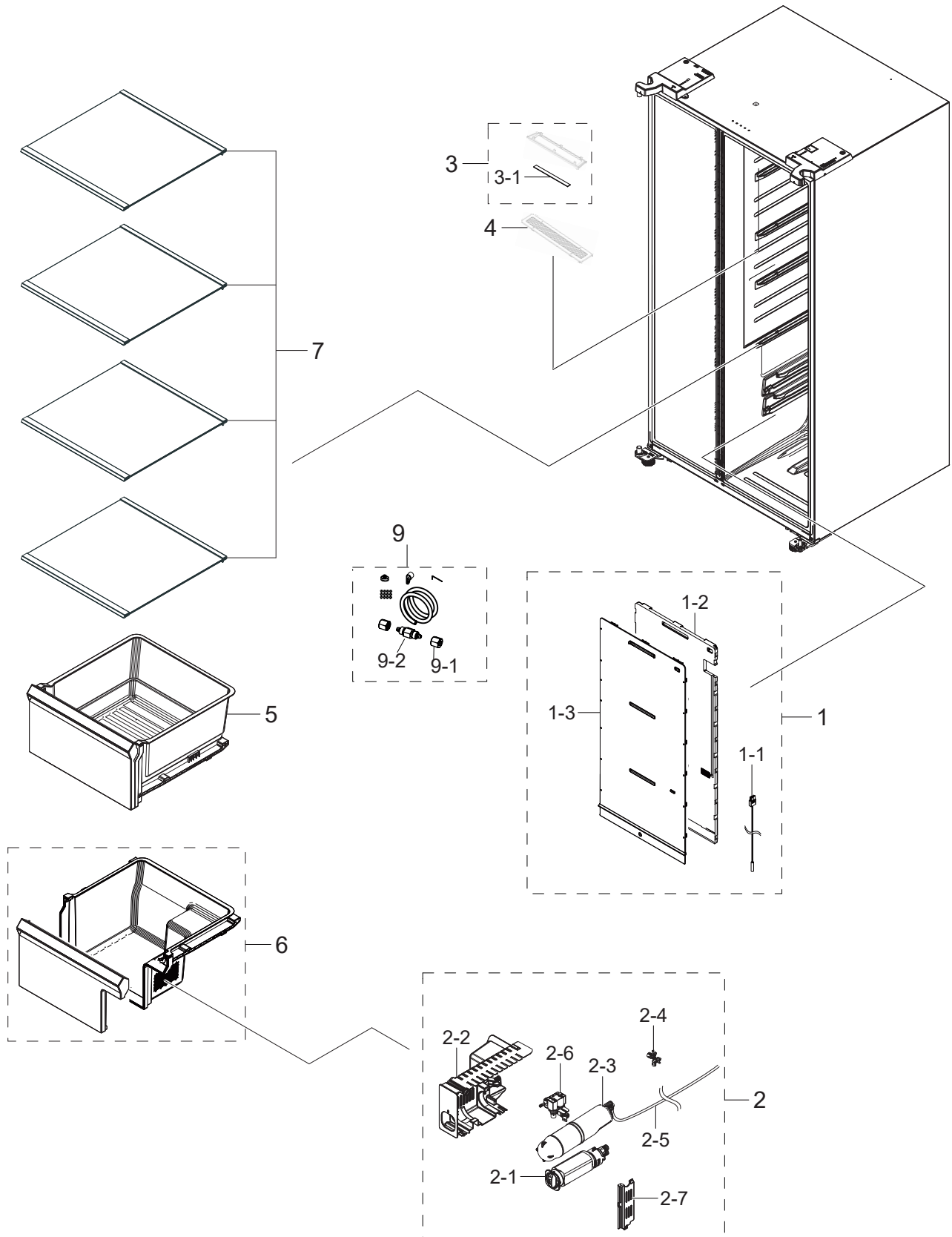
■ FREEZER



Service Bom (SA: SERVICE AVAILABLE, SNA: SERVICE NOT AVAILABLE)

No.	MATERIAL	PART NAME	SPECIFICATION	QT	STAT
1	DA97-20713A	ASSY COVER MULTI-FRE MULTI	RS5300	1	SA
1-1	DA31-00333E	MOTOR GEARED DC DAMPER	NSBA001TQ1,DC12V,	1	SA
1-2	DA31-00342A	MOTOR BLDC FAN	ARES2130RA/LT-W39005,1850	1	SA
1-3	DA32-00070T	SENSOR TEMP	SC41198-021A,L700,13.2Kohm,2	1	SA
1-4	DA63-09694A	COVER MULTI-FRE	RS5300T,PP,HB,COOL WHITE	1	SNA
1-5	DA63-09695A	COVER MULTI-FRE REAR	RS5300T,PP,HB,INNER	1	SNA
1-6	DA62-05385A	INSULATION DUCT-FRE FRONT	RS5300T,EPS,NA	1	SNA
1-7	DA62-05298A	INSULATION DUCT-SUB	RS5000RC,EPS,NATURAL	1	SNA
1-8	DA62-05299A	INSULATION DUCT-SUB UP	RS5000RC,EPS,NATU	1	SNA
2	DA97-20714A	ASSY COVER EVAP-FRE COVER	RS	1	SA
2-1	DA63-09696A	COVER EVAP-FRE	RS5300T,PP,HB,COOL WHITE,	1	SNA
3	DA67-30266K	CAP SCREW	A-TOP,PP,T1.5,HB,BJ750,COOL	5	SA
4	DA96-01384C	ASSY EVAP-FRE EVAP MODULE	RS5300T,Fin Tu	1	SA
4-1	DA32-00024L	SENSOR TEMP	PX-41C,L250,13.2kohm,2%,0C,7	1	SA
4-2	DA47-00522A	HEATER METAL SHEATH	AC230V,RS5000T FRE,1	1	SA
4-3	DA47-00301B	THERMO FUSE-ASSY	AC250V,10A,109~110°C,S.O	1	SA
4-4	DA61-00603A	FIXER SENSOR	n-PJT,PP,T2,NATURAL,BJ750	1	SA
4-5	DA61-04026A	PLATE DRAIN	ES-PJT,GL-SGLCC,T0.35	1	SA
4-6	DA61-07411A	FIXER-FUSE	NW2,PP,NATURAL,BJ750	1	SA
4-7	DA61-07451A	PLATE-EVAP HEATER	NW2,Al,T0.7	1	SNA
4-8	DA59-00624B	EVAPORATOR-FRE	Fin Tube,RS5300T(UL SPEC.	1	SNA
5	DA97-20645A	ASSY SHELF-FRE UP SHELF	RS5300T	4	SA
6	DA97-20646A	ASSY SHELF-FRE LOW SHELF	RS5300T	1	SA
7	DA97-20630A	ASSY CASE BASKET-LOW	RS530	1	SA
8	DA97-19899C	ASSY CASE LAMP	RS5000RC,T2.0,COOL WHITE,	1	SNA
8-1	DA96-01119A	ASSY LAMP LED	3EA,FR-4,150*12,WHITE,SMAW	1	SA
9	DA63-08989A	COVER LAMP	RS53000TC,GPPS,T2,TP B	1	SA
10	DA67-04922A	CAP SENSOR	RS5300T,PP,HB,49MK45,COOL	1	SA
11	DA63-08943A	GROMMET	BRR9000M,NBR,CAP	1	SA
12	DA63-03788B	COVER-FIXER HOUSING	W07,GI-SGCC,T0.4	2	SA

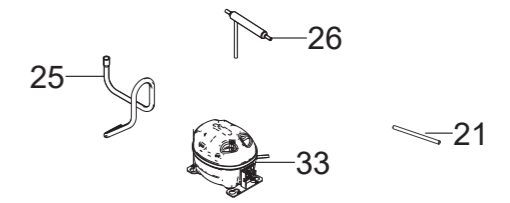
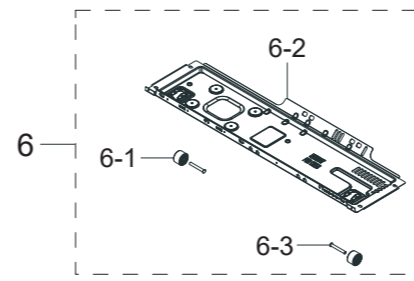
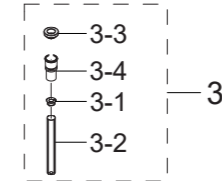
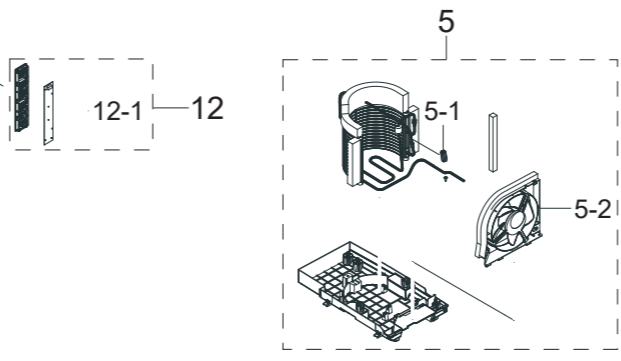
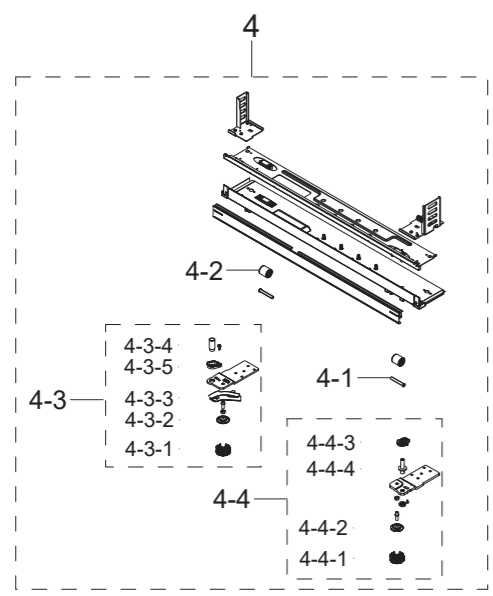
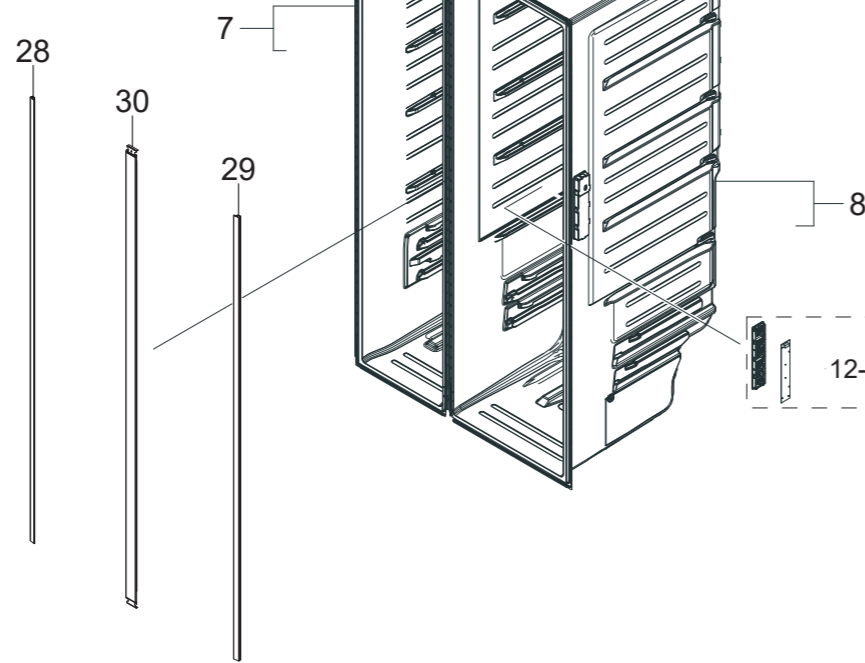
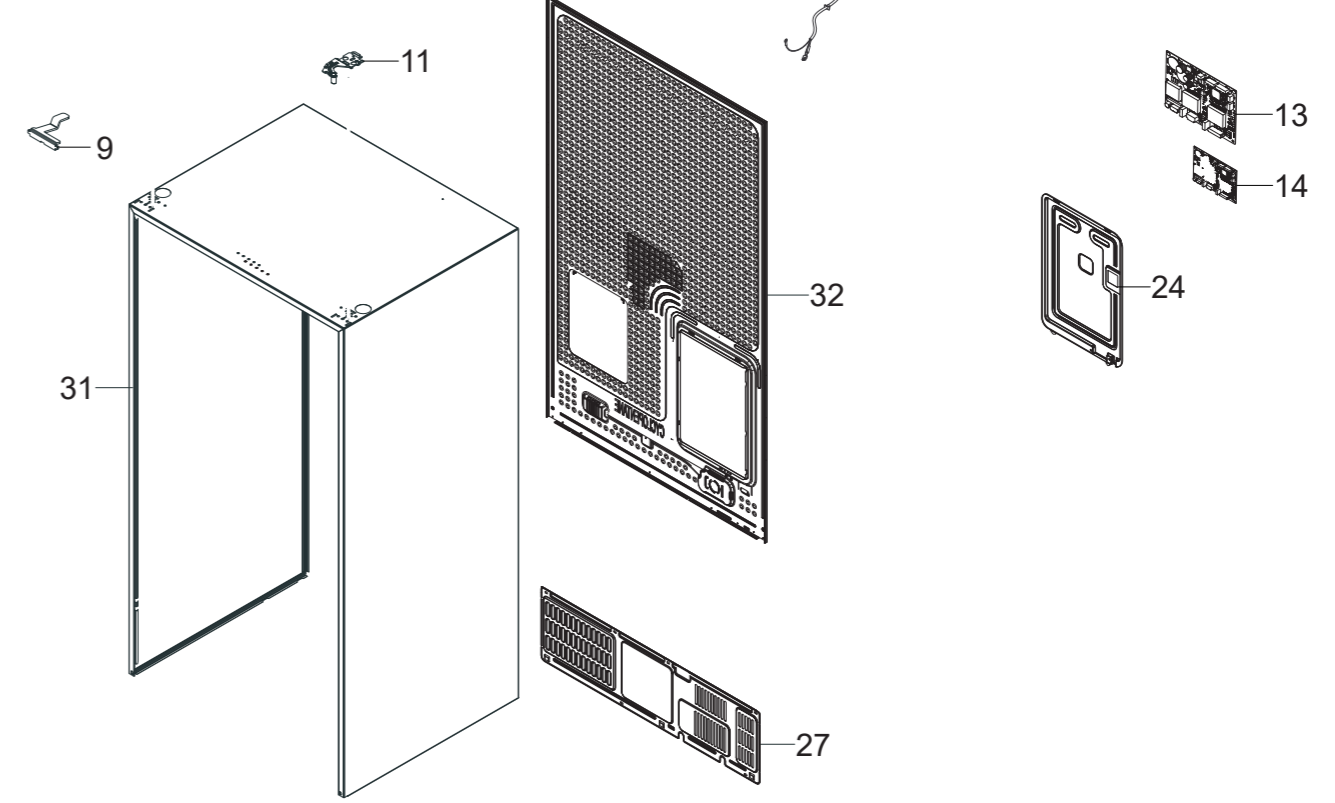
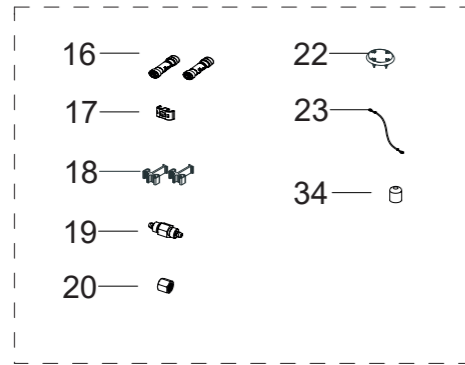
REFRIGERATOR



Service Bom (SA: SERVICE AVAILABLE, SNA: SERVICE NOT AVAILABLE)

No	MATERIAL	PART NAME	SPECIFICATION	QT	STAT
1	DA97-20712A	ASSY COVER MULTI-REF MULTI	RS5300	1	SA
1-1	DA32-00070S	SENSOR TEMP	SC41200-021A,L650,13.2kohm,2	1	SA
1-2	DA62-05389A	INSULATION DUCT-REF	RS5300T,EPS,NATURAL,	1	SNA
1-3	DA63-09697A	COVER MULTI-REF	RS5300T,PP,HB,COOL WHITE	1	SNA
2	DA97-20674A	ASSY CASE FILTER	RS5300T,220V FS	1	SA
3	DA97-19899D	ASSY CASE LAMP	RS5000RC,T2,COOL WHITE,LE	1	SNA
3-1	DA96-01119A	ASSY LAMP LED	5,FR-4,150*12,WHITE,SMAW25	1	SA
4	DA63-08989A	COVER LAMP	RS53000TC,GPPS,T2,TP B	1	SA
5	DA97-20631A	ASSY CASE VEG-UP DRAWER	RS5300T	1	SA
6	DA97-20633A	ASSY CASE VEG-LOW DRAWER	RS5300T,	1	SA
7	DA97-20647A	ASSY SHELF-REF SHELF	RS5300T	4	SA
8	DA73-00211A	RUBBER-CAP HOSE	i4-PJT,SILICON RUBBER,GR	1	SA
9	DA97-01469W	ASSY INSTALL-FILTER	A-TOP,FILTER-INSTALL	1	SA
9-1	DA74-00070B	VALVE-FITTING NUT	A-TOP,C3604,gold	2	SA
9-2	DA80-00002F	WRENCH-SPANNER	AW3,SM45C,Zn PLATING	1	SA

CABINET



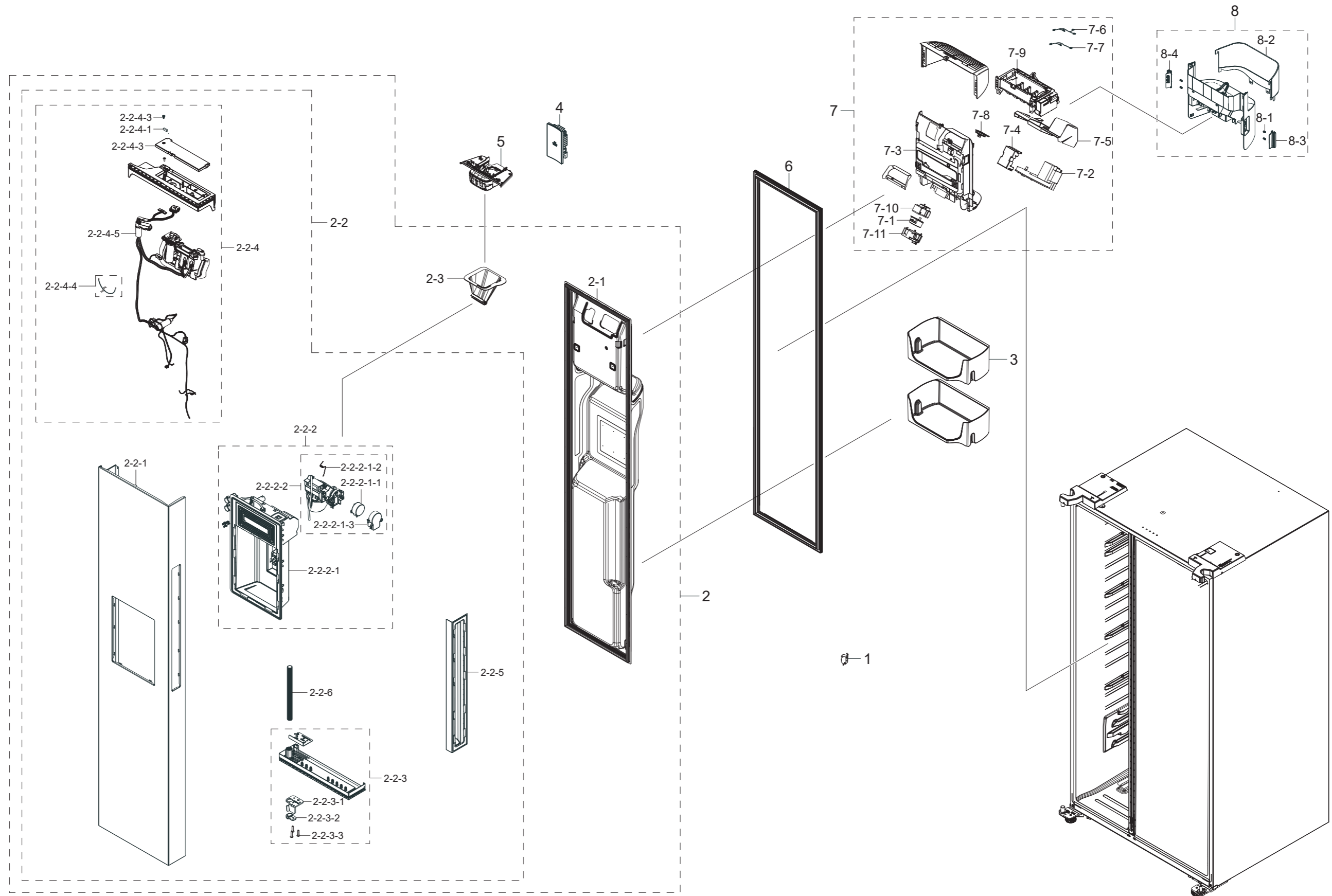
Service Bom (SA: SERVICE AVAILABLE, SNA: SERVICE NOT AVAILABLE)

No.	MATERIAL CODE	PART NAME	SPECIFICATION	QTY	STATUS
1	DA97-20734A	ASSY COVER HINGE-REF	RS53000TC,ASSY,T2.3	1	SA
1-1	DA63-09699A	COVER HINGE-REF	RS53000TC,ABS,T2.3,INOX	1	SNA
1-2	DA34-00043A	SWITCH REED	UL1007 AWG 22,100mm,DEM1-B50	1	SA
1-3	DA92-00817A	ASSY MODULE	BUZZER PBA,RB6000K	1	SA
2	DA97-20733A	ASSY COVER HINGE-FRE	RS53000TC,ASSY,T2.3	1	SA
2-1	DA63-09703A	COVER HINGE-FRE	RS53000TC,ABS,T2.3,INOX	1	SNA
2-2	DA34-00043A	SWITCH REED	UL1007 AWG 22,100mm,DEM1-B50	1	SA
2-3	DA32-00074A	SENSOR HUMIDITY	5V,0~100%RH,REF	1	SA
3	DA97-04049E	ASSY CAP-DRAIN	AW3	1	SA
3-1	DA61-04773A	FIXER-DRAIN	AW-PJT,HIPS,-,-,-,NATURAL,	1	SNA
3-2	DA62-01266B	TUBE PVC	AW3,PVC,OD19.4,L155,BLACK	1	SA
3-3	DA63-02761A	GROMMET-DRAIN	RS18RK,NBR,BLACK	1	SA
3-4	DA67-01301A	CAP-DRAIN	AW4,HIPS,HB,S834S1,NATURAL	1	SNA
4	DA97-20754A	ASSY CABI-BOTTOM FRONT	RS5300T/TC,ULBAN	1	SNA
4-1	DA61-01920A	FIXER-CASTER	ZPC2,SWRCH10A,OD8.0,L58	2	SA
4-2	DA61-04702A	CASTER-FRONT	AW-PJT,PP,BJ750+S700B PP(M/	2	SA
4-3	DA97-14046B	ASSY HINGE-LOW LEFT	FSR CD,DISPENSER	1	SA
4-3-1	DA61-07972B	FOOT-FRONT	POLARIS,PP,BLACK,INSERT NUT,	1	SA
4-3-1-1	6021-001125	NUT-HEXAGON	3,M8,ZPC(WHT),SWCH10A	1	SA
4-3-2	DA61-07973B	FOOT	POLARIS,PP,BLACK,PP_S,0103-007539,Y	1	SA
4-3-3	DA63-09717A	COVER GUIDE HOSE	RS5300T,PP,T1.5,NATURAL	1	SNA
4-3-4	DA66-00716D	SHAFT HINGE-LOW LEFT	FSR CD,SM45C,OD18.3	1	SNA
4-3-5	DA66-01127A	CAM RISER-FRE LOW	FSR CD,PA66,BLACK,KN33	1	SA
4-3-6	DA66-00793A	SHAFT-LEG FRONT	POLARIS,SWRCH10A,BLACK,E	1	SA
4-4	DA97-20700A	ASSY HINGE-LOW RIGHT	RS5300T,T7	1	SA
4-4-1	DA61-07972B	FOOT-FRONT	POLARIS,PP,BLACK,INSERT NUT,	1	SA
4-4-1-1	6021-001125	NUT-HEXAGON	3,M8,ZPC(WHT),SWCH10A	1	SA
4-4-2	DA61-07973B	FOOT	POLARIS,PP,BLACK,PP_S,0103-007539,Y	1	SA
4-4-3	DA66-00891A	CAM-HINGE RISER REF LOW	MONTES ALPHA,PA6	1	SA
4-4-4	DA66-00911A	SHAFT-HINGE LOW REF	POLARIS,SWCH10A,Zn P	1	SA
5	DA97-20718C	ASSY TRAY DRAIN WATER	RS5300T,R-600A onl	1	SA
5-1	DA63-40171B	GROMMET-SUCT PIPE A	NBR,ID4,OD20	1	SNA
5-2	DA97-20025A	ASSY SUPPORT-CIRCUIT MOTOR	NW2-FDR,C160N	1	SA
6	DA97-21034A	ASSY CHASSIS-COMP	AW4	1	SA
6-1	DA61-04703A	CASTER-REAR	AW-PJT,PP,BLACK,BJ750 PP M/B	2	SNA
6-2	DA64-06266A	CHASSIS COMP	AW2-14,GI-SGCC,T1.4	1	SNA
6-3	DA66-00649B	SHAFT-CASTER	POLARIS,MSWR10,L44,ID8.0,OD	2	SA
7	DA94-05114B	ASSY LINER-FRE	RS5300T,FS	1	SNA

Service Bom (SA: SERVICE AVAILABLE, SNA: SERVICE NOT AVAILABLE)

No.	MATERIAL CODE	PART NAME	SPECIFICATION	QTY	STATUS
8	DA94-05115C	ASSY LINER-REF	RS5300T,FS	1	SNA
9	DA61-04932A	FIXER HINGE-UPP	AW1-12,GI-SGCC,T3	2	SA
10	DA61-13824A	HINGE-UP LEFT	RS5300TC,PO-SPHC,T3	1	SA
11	DA61-13818A	HINGE-UP RIGHT	RS5300TC,PO-SPHC,T3	1	SA
12	DA97-19962X	ASSY COVER CONTROL	RS5300T/TC,DISP	1	SA
13	DA92-01196K	ASSY PCB MAIN	RS5300T,165x242,110V,12V,5	1	SA
14	DA92-01137C	ASSY MODULE	PBA-FUSE BLOCK,BRZ9000M,30*5	1	SA
15	3903-001009	POWER CORD-AT	SPT-3 3x18AWG 105C,BLK,US3	1	SA
16	DA60-00258B	FITTING-TUBE	TUBE FITTING A,PP,1/4,1/4'-	2	SA
17	DA61-04712C	FIXER-HOSE	AW,ABS,-,-,-,LIGHT GRAY,-,-	1	SA
18	DA61-13913A	FIXER	RS5300T,ABS,T1.5,NEAT WHITE,HG-076	2	SA
19	DA62-01378B	VALVE-FITTING PU	BEST-BUY,C3604,GOLD	1	SA
20	DA74-00070B	VALVE-FITTING NUT	A-TOP,C3604,gold	1	SA
21	DA62-03897C	PIPE-CONNECT	MAX-PJT,C1220T-0,-,OD6.35,L	1	SA
22	DA63-04598B	COVER-URETHANE	SSEDA/AW-PJT,ABS,-,-,-,-,	1	SA
23	DA39-00429D	ASSY WIRE HARNESS-EARTH	EARTH,ALL,,,,,FR	1	SA
24	DA97-08442A	ASSY COVER PCB-PANEL	AW3	1	SA
25	DA97-15975A	ASSY PIPE CONNECT	RS5300,TUBE R600a, PMS	1	SA
26	DA62-04309F	DRYER	C1220T-H,L137,SINGLE MOUTH,UL Mark	1	SA
27	DA97-12749B	ASSY COVER COMP	POLARIS,GI-SGCC,T0.25	1	SA
28	DA61-01376J	REINF CABI-FRONT LEFT	SBS ALL,HGI-SGHC,-	1	SNA
29	DA61-01835J	REINF CABI-FRONT RIGHT	SBS ALL,HGI-SGHC,	1	SNA
30	DA97-07707J	ASSY CABI FRAME-MIDDLE FRONT	RS5000RC,0.	1	SNA
31	DA97-20738A	ASSY CABI FRAME	RS5300T,GI,T0.4,URBAN SI	1	SNA
32	DA97-20648A	ASSY CABI FRAME-REAR	RS5300T	1	SNA
33	NF54M5151ARTT3	COMP	CMP,COMP,REFRIGERATOR,R-600A	1	-
34	DA73-00211A	RUBBER-CAP HOSE	i4-PJT,SILICON RUBBER,GR	1	SA

■ DOOR FRE



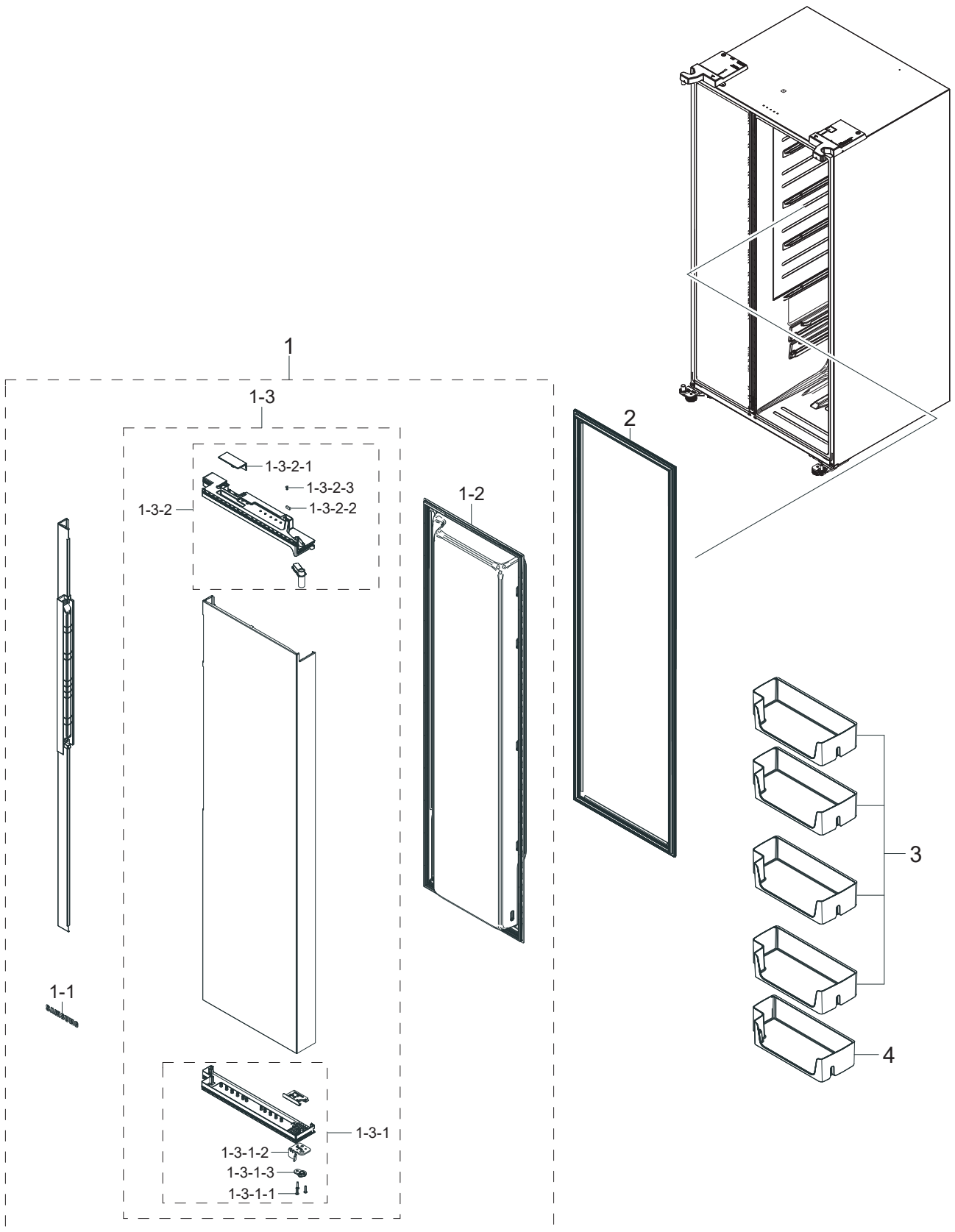
Service Bom (SA: SERVICE AVAILABLE, SNA: SERVICE NOT AVAILABLE)

No.	MATERIAL CODE	PART NAME	SPECIFICATION	QTY	STATUS
1	3405-001117	SWITCH-MICRO	125/250VAC,1A,80gf,SPST-NO	1	SNA
2	DA91-05231J	ASSY DOOR FOAM-FRE	RS5300T,REAL STS430(S	1	SA
2-1	DA64-06179A	PANEL-FRE	RS5300T,ABS,T1.5,W1250,L1980,Q	1	SNA
2-2	DA97-20764G	ASSY PLATE DOOR-FRE	RS5300T,REAL STS430(1	SNA
2-2-1	DA61-13831H	PLATE DOOR-FRE	RS5300T,STS430J1L,T0.5,RE	1	SNA
2-2-2	DA97-20772H	ASSY CASE DISPENSER	RS5300T,INOX GRAY	1	SNA
2-2-2-1	DA61-13829E	CASE DISPENSER	RS5000T,ABS,T3,INOX METAL	1	SNA
2-2-2-2	DA97-19028A	ASSY CASE ICE ROUTE	RS8000NC,120V	1	SA
2-2-2-2-1	DA31-00079A	MOTOR GEARED AC DISP	MVCC18AR19/MCCC182A	1	SNA
2-2-2-2-2	DA61-01914A	SPRING ETC-COVER ICE ROUTE	QUEEN,STS304,	1	SA
2-2-2-2-3	DA63-07654A	COVER MOTOR	FSR,HIPS,HB,NATURAL	1	SNA
2-2-3	DA97-20778A	ASSY CAP DOOR-FRE LOW	RS5300T,BLACK	1	SNA
2-2-3-1	DA61-07527A	STOPPER-DOOR FRE LOW	POLARIS,PO-SPHC,T4.	1	SA
2-2-3-2	DA66-00558B	CAM HINGE-RISER UPP L	POLARIS,PA66,BLACK	1	SA
2-2-3-3	6001-001377	SCREW-MACHINE	TH,+,M5,L25,ZPC(WHT),SWRCH	3	SNA
2-2-4	DA97-20779D	ASSY CAP DOOR-FRE UP	RS5300T,INOX GRAY,D	1	SNA
2-2-4-1	DA61-03769A	MAGNET-A	HERMES,FERRITE,1600Gauss	1	SA
2-2-4-2	DA63-05327D	COVER-CAP DOOR FRE	SSEDA,HIPS,-,-,-,-,-,	1	SA
2-2-4-3	DA67-02795B	CAP-SHAFT HOLE	AW-PJT,PP,T4,HB,BJ750,NAT	1	SA
2-2-4-4	DA97-19469B	ASSY PIPE WATER LINE	RS5000,PE-RT,ORANGE	1	SNA
2-2-4-5	DA96-01389A	ASSY WIRE HARNESS-DOOR	RS5300T,DISP,IN-D	1	SNA
2-2-5	DA97-20161C	ASSY HANDLE-FRE	RS5300T,BLACK,ASSY, RECE	1	SA
2-2-6	DA73-10469L	PIPE-WATER	SBS,2007GVE,PVC,L250,GRAY	1	SNA
2-3	DA97-20160B	ASSY GUIDE ICE ROUTE	RS5300T,Assy	1	SNA
3	DA97-20641A	ASSY GUARD-FRE UP	RS5300T/TC,GPPS,T3,TP	2	SA
4	DA97-21146A	ASSY LEVER DISPENSER	RS5300T,DARK INOX G	1	SNA
5	DA97-19031H	ASSY COVER DISPENSER	RS5300T/TC,DARK INO	1	SA
6	DA97-20743B	ASSY GASKET-FRE	RS5300T,INNER GRAY	1	SA
7	DA97-21215C	ASSY CASE AUGER MOTOR	RS5300T,110V	1	SA
7-1	DA31-00079A	MOTOR GEARED AC DISP	MVCC18AR19/MCCC182A	1	SNA
7-11	DA63-04356B	COVER MOTOR-FRONT	GUGGENHEIM,HIPS,NATURA	1	SNA
7-2	DA31-00210E	MOTOR GEARED-AUGER	ISG-3245SSA/R / ORG-4	1	SNA
7-3	DA61-13945A	SUPPORT CASE AUGER	RS5000RC,ABS,T2.5,HG-	1	SNA
7-4	DA63-05515A	COVER-MOTOR AUGER COIL	GGH,ABS,NATURAL	1	SNA
7-5	DA63-09324A	COVER CASE AUGER	RS8000NC,HIPS,T2.5,HB,N	1	SA
7-6	DA96-01037D	ASSY WIRE HARNESS-AUGER	ALL,AUGER(NO BUC	1	SA
7-7	DA97-00151B	SWITCH REED	UL1007 AWG 22,230,35151-0210	1	SNA
7-8	DA97-11248A	ASSY-CAM LEVER CUBE	INDOOR	1	SA
7-9	DA97-21968A	ASSY ICE MAKER-MECH	RS6500KC,12V,INDOOR	1	SA
7-10	DA63-01412B	COVER-MOTOR GEARED	GUGGENHEIM,HIPS,NATUR	1	SNA

Service Bom (SA: SERVICE AVAILABLE, SNA: SERVICE NOT AVAILABLE)

No.	MATERIAL CODE	PART NAME	SPECIFICATION	QTY	STATUS
8	DA97-19968C	ASSY TRAY ICE	RS5000RC,TL,INDOOR	1	SA
8-1	DA61-04378A	SPRING ETC-BUCKET LEVER	GUGGENHEIM,STS30	4	SNA
8-2	DA64-05918A	WINDOW BUCKET	RS5000RC,PCTG,T4,W296,L115	1	SNA
8-3	DA66-00587A	LEVER-BUCKET L	GUGGENHEIM,ABS,W76.7,L19.	1	SNA
8-4	DA66-00588A	LEVER-BUCKET R	GUGGENHEIM,ABS,W77.2,L19.	1	SNA

■ DOOR REF



Service Bom (SA: SERVICE AVAILABLE, SNA: SERVICE NOT AVAILABLE)

No.	MATERIAL CODE	PART NAME	SPECIFICATION	QTY	STATUS
1	DA91-05229B	ASSY DOOR FOAM-REF	RS5300T,REAL STS430(S	1	SA
1-1	DA64-04021A	MASCOT	ALL,Ni,T0.06,L90	1	SA
1-2	DA64-06176A	PANEL-REF	RS5300T,ABS,T1.5,W1250,L1980,Q	1	SNA
1-3	DA97-20765C	ASSY PLATE DOOR-REF	RS5300T,REAL STS430(1	SNA
1-3-1	DA97-20776A	ASSY CAP DOOR-REF LOW	RS5300T,BLACK	1	SNA
1-3-1-1	6001-001377	SCREW-MACHINE	TH,+,M5,L25,ZPC(WHT),SWRCH	3	SNA
1-3-1-2	DA61-07526A	STOPPER-DOOR REF LOW	POLARIS,PO-SPHC,T4.	1	SA
1-3-1-3	DA66-00557A	CAM HINGE-RISER UPP R	GUGGENHEIM,PA66,BL	1	SA
1-3-2	DA97-20774B	ASSY CAP DOOR-REF UP	RS5300T,INOX GRAY	1	SNA
1-3-2-1	DA63-08449A	COVER LOCK	ABS,T2.5,INOX GRAY	1	SA
1-3-2-2	DA61-03769A	MAGNET-A	HERMES,FERRITE,1600Gauss	1	SA
1-3-2-3	DA67-02795B	CAP-SHAFT HOLE	AW-PJT,PP,T4,HB,BJ750,NAT	1	SA
2	DA97-20742B	ASSY GASKET-REF	RS5300T,INNER GRAY	1	SA
3	DA97-20638A	ASSY GUARD-REF UP	RS5300T/TC,GPPS,T3,TP	4	SA
4	DA97-20639A	ASSY GUARD-REF LOW	RS5300T,GPPS,T3,TP BL	1	SA