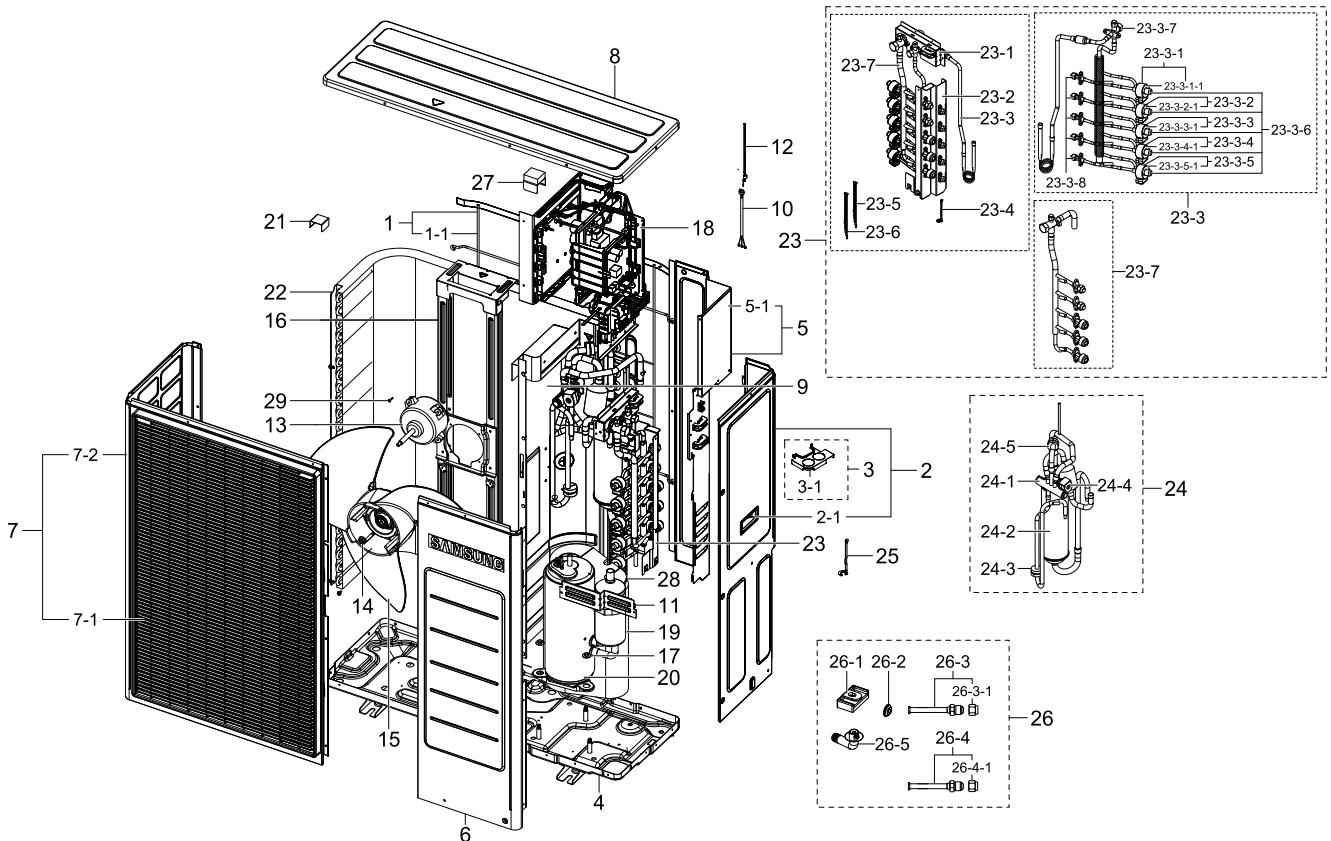


1. RJ100F5HXEA/AR

Exploded View



Parts List

No.	Lvl.	Loc.	Material Code	Description & Specification	SNA	Qty.
1	2		DB90-08318B	ASSY GUARD-COND; UB1 for FJM	SNA	1
1-1	3		DB63-02971B	GUARD COND; RJ100F5HXEA,MSWR-SWRM,854,694	SA	1
2	2	A0206	DB90-06548C	ASSY CABINET-SIDE RH; RJ100F5HXEA,FJM2	SA	1
2-1	3		DB64-02613B	HANDLE; RC140PHXEA,PP,T2.5,EARTH BROWN,HE	SNA	1
3	2		DB90-06549A	ASSY BRACKET-VALVE SUB; RJ100F5HXEA,FJM2	SA	1
3-1	3		DB61-04959A	BRACKET-VALVE SUB; RJ100F5HXEA,GI-SGCC,0.	SA	1
4	2	A0092	DB90-05873B	ASSY BASE OUT; MAN-U,SEAL-ADD	SA	1
5	2	A2609	DB90-06546D	ASSY CABI BACK-RH; RJ100F5HXEA,FJM2	SA	1
5-1	3		DB90-06551B	ASSY CABI BACK-RH PAINT; RJ100F5HXEA,FJM2	SA	1
6	2	A0173	DB90-06547C	ASSY CABI FRONT RH; RJ100F5HXEA,FJM2	SA	1
7	2	A2620	DB90-05971D	ASSY CABI FRONT-LF; AC120HCADKH/EU	SA	1
7-1	3	G0153	DB63-02728C	GUARD FAN; PP,EARTH BROWN	SA	1

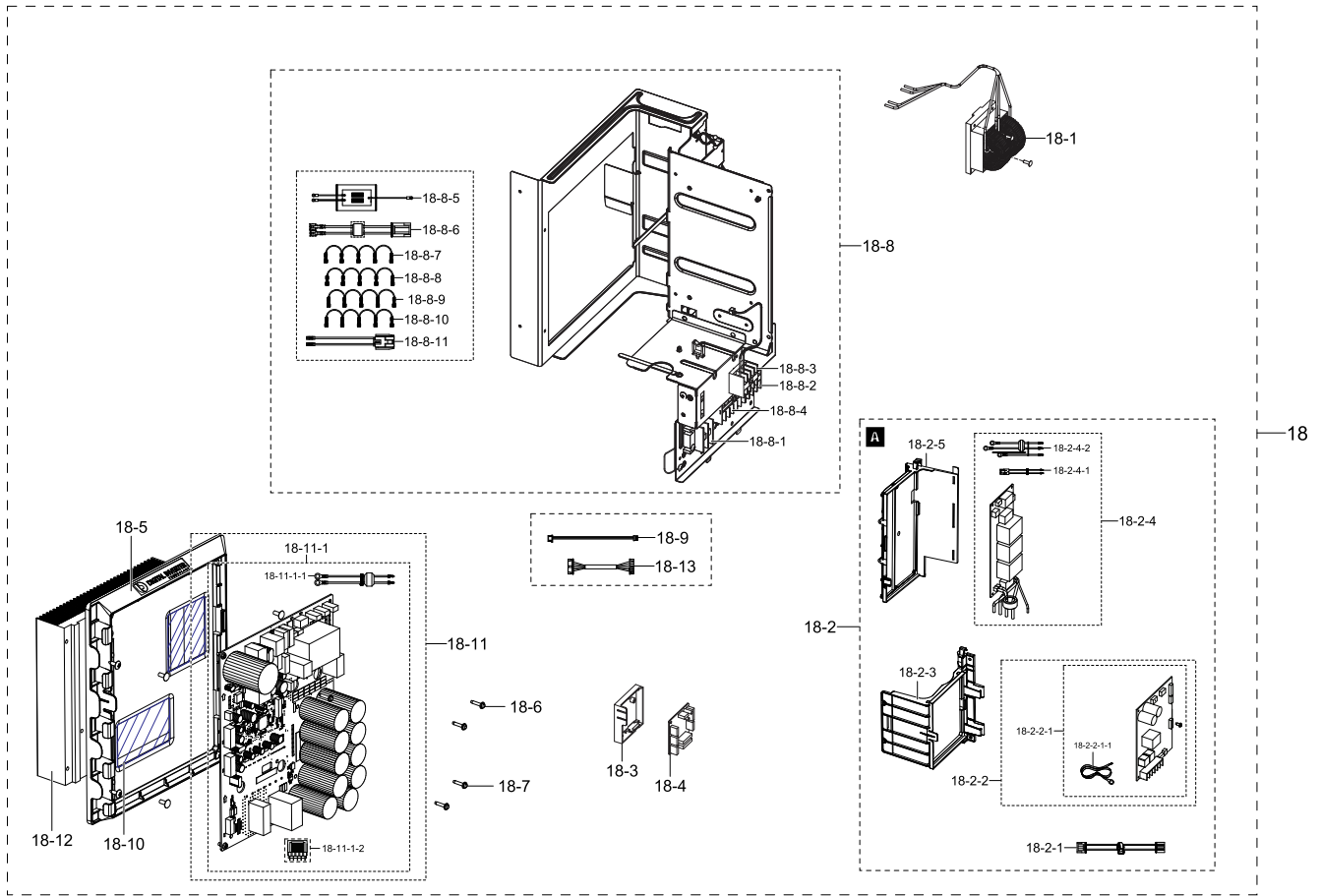
Exploded Views and Parts List

No.	Lvl.	Loc.	Material Code	Description & Specification	SNA	Qty.
7-2	3		DB64-02536B	CABINET FRONT-LF; RC100ZHXEAE,EGI-SECC,T0.	SNA	1
8	2	A0212	DB90-05902E	ASSY CABINET-TOP; RC090MHXEAE,EHS MONO	SA	1
9	2	A1748	DB94-03262B	ASSY PARTITION; RJ100F5HXEA,FJM2	SNA	1
10	2	A0630	DB93-08235E	ASSY CONNECTOR WIRE-COMP; 3,3343,12,RED,S	SA	1
11	2		DB61-04961A	PLATE-CASE CONTROL SUPPORT; RJ100F5HXEA,G	SNA	1
12	2		DB95-04871B	ASSY THERMISTOR OUT-SUB OUT; MAIN PBA SEN	SA	1
13	2	M0039	DB31-00579A	MOTOR FAN; 125W,DC310V,CLASS E	SA	1
14	2		DB60-00405A	FASTENER-WASHER; RC100ZHXEAE,SWRCH10A,M8	SA	1
15	2		DB94-03277B	ASSY FAN PROPELLER; MAN-U,520 PI, NATURAL	SC	1
16	2	A2803	DB90-05918B	ASSY BRACKET MOTOR; RC100DHXEAE,R410A	SA	1
17	2	S0018	DB60-30028A	NUT-FLANGE; HWH,M8,ZPC(WHT),SWRCH18A,P1.2	SA	3
18	2	A3096	DB93-12263A	ASSY CONTROL OUT; HP,Inv,10kW,230V,R410A,	SNA	1
19	2		DB63-03451A	FELT-COMP SIDE; RJ100F5HXEA,FELT,T8,610,3	SA	1
20	2		UG8T300FUBJUSG	RCP,COMP,CPR,,R410A; RCP,COMP,CPR,,R410A		1
21	2		DB61-00533A	HOLDER-CLAMP COND; RVXMHF050GA,GI-SGCC,T0	SNA	1
22	2	A0590	DB96-16150A	ASSY COND OUT; RJ100F5HXEA,INV	SA	1
23	2	A0968	DB96-15975A	ASSY VALVE; HP,RJ100F5HXEA,11K-FJM	SA	1
23-1	3		DB61-04958A	BRACKET-VALVE SUPPORT; RJ100F5HXEA,GI-SGC	SA	1
23-2	3	B0712	DB61-04963A	BRACKET-VALVE; RJ100F5HXEA,GI-SGCC,T1.2,8	SA	1
23-3	3		DB96-15559A	ASSY TUBE-EEV; RJ100F5HXEA,11K-FJM	SA	1
23-3-1	4		DB95-04816A	ASSY-EXPANSION COIL; RJ100F5HXEA	SNA	1
23-3-1-1	5		DB62-11205A	VALVE COIL EXPAN; DC12V,COIL,1000,15.45,M	SA	1
23-3-2	4		DB95-04816B	ASSY-EXPANSION COIL; RJ100F5HXEA	SNA	1
23-3-2-1	5		DB62-11205A	VALVE COIL EXPAN; DC12V,COIL,1000,15.45,M	SA	1
23-3-3	4		DB95-04816C	ASSY-EXPANSION COIL; RJ100F5HXEA	SNA	1
23-3-3-1	5		DB62-11205A	VALVE COIL EXPAN; DC12V,COIL,1000,15.45,M	SA	1
23-3-4	4		DB95-04816D	ASSY-EXPANSION COIL; RJ100F5HXEA	SNA	1

No.	Lvl.	Loc.	Material Code	Description & Specification	SNA	Qty.
23-3-4-1	5		DB62-11205A	VALVE COIL EXPAN; DC12V,COIL,1000,15.45,M	SA	1
23-3-5	4		DB95-04816E	ASSY-EXPANSION COIL; RJ100F5HXEA	SNA	1
23-3-5-1	5		DB62-11205A	VALVE COIL EXPAN; DC12V,COIL,1000,15.45,M	SA	1
23-3-6	4	V0001	DB62-04064A	VALVE EXPAN; SUS,1.3,500	SA	5
23-3-7	4		DB62-12108A	VALVE SERVICE-SPINDLE; T-TYPE, NO PORT,R4	SA	1
23-3-8	4		DB67-00281B	NIPPLE; RVPC035B2M0,C3771,-,-,L37,-,1/4	SA	5
23-4	3	S0242	DB81-00635A	SPRING ETC-SENSOR; DVM-SYSTEM,STS304,R2.5	SA	10
23-5	3		DB95-04810A	ASSY THERMISTOR IN; FJM UB1,HUB EEV SENSO	SA	1
23-6	3	A2902	DB95-04811A	ASSY THERMISTOR OUT; FJM UB1,HUB EEV SENS	SA	1
23-7	3		DB96-15560A	ASSY TUBE-VALVE JOINT; RJ100F5HXEA,11K-FJ	SA	1
24	2	A2710	DB96-15602A	ASSY-4WAY VALVE; HP,RJ100F5HXEA,11K-FJM	SA	1
24-1	3	V0010	DB62-02838A	VALVE 4WAY; COMMON,3.5	SA	1
24-2	3	A0316	DB96-14716A	ASSY-ACCUMULATOR; RC100PHXEA,1600CC	SA	1
24-3	3		DB67-70011C	WEIGHT-RUBBER; NR,BLACK	SA	1
24-4	3	S0247	DB33-00002K	SOLENOID-COIL ASSY; 220V	SA	1
24-5	3		DB67-70011E	WEIGHT-RUBBER; NR,OD36	SA	1
25	2	S0242	DB81-00635A	SPRING ETC-SENSOR; DVM-SYSTEM,STS304,R2.5	SA	2
26	2		DB97-18601A	ASSY ACCESSORY; HP,Inv,10.0kW,N,RJ100F5HX	SNA	1
26-1	3	Z0166	DB73-20134A	RUBBER-LEG; V2-MD,NR,55	SA	4
26-2	3	Z0165	DB63-10355C	CAP-DRAIN; CR,T2,BLACK,ASH-1814ER	SA	3
26-3	3		DB96-16155A	ASSY TUBE; RJ100F5HXEA,FJM2	SNA	3
26-3-1	4		DB60-30010B	FASTENER-NUT FLARE; BRASS	SA	3
26-4	3		DB96-16155B	ASSY TUBE; RJ100F5HXEA,FJM2	SNA	2
26-4-1	4	N0027	DB60-30010D	FASTENER-NUT FLARE; BRASS	SA	2
26-5	3	D0116	DB67-00806A	DRAIN-PLUG OUT; UH140GAV,PE,WHITE,ME8000	SA	1
27	2		DB90-02316E	ASSY HOLDER-PLATE COND; RC100PHXEA	SNA	2
28	2		DB63-03164A	CLOTH-COMP TOP; FELT+EVAR,T11.5,GRAY	SA	1
29	2		DB60-00150A	SCREW-SPECIAL; HWH,M4,L26,ZPC(WHT),SWRCH1	SA	4

2. ASSY CONTROL OUT

Exploded View



Parts List

No.	Lvl.	Loc.	Material Code	Description & Specification	SNA	Qty.
18	2	A3096	DB93-12263A	ASSY CONTROL OUT; HP,Inv,10kW,230V,R410A,	SNA	1
18-1	3	Z0157	DB59-00016A	COIL HARMONIC; 0.5mH,96*76*75,15A,Tab	SA	1
18-2	3		DB90-06115C	ASSY CASE-PCB; RC100PHXEA,INV	SA	1
18-2-1	4	Z0154	DB93-10809A	ASSY CONNECTOR WIRE-EMI TO MAIN POWER; 2	SA	1
18-2-2	4	A0743	DB93-12024B	ASSY PCB MAIN-OUT; MAIN,DVM-07,120*142,-,	SA	1
18-2-2-1	5		DB93-12157A	ASSY PCB MANUAL; FJM UB1 MAIN,FJM UB1 MAI	SNA	1
18-2-2-1-1	6	A0646	DB93-05379F	ASSY CONNECTOR WIRE-EARTH; 1,1015,16,YEL/	SA	1
18-2-3	4		DB61-04503B	CASE-MAIN; GLOBAL 4W-CST,HIPS,142,191.8,N	SA	1
18-2-4	4	A1781	DB93-11110B	ASSY PCB SUB-EMI; SUB,FJM,230*90,230V,-,-	SA	1

No.	Lvl.	Loc.	Material Code	Description & Specification	SNA	Qty.
18-2-4-1	5		DB93-11916A	ASSY CONNECTOR WIRE-EMI TO TB POWER; 2,10	SA	1
18-2-4-2	5		DB93-11917A	ASSY CONNECTOR WIRE-EMI TO TB2 POWER; 3,1	SA	1
18-2-5	4		DB61-04502D	CASE-EMI; RC090MHXEA,HIPS,NATURAL,VE-1877	SA	1
18-3	3		DB61-04962A	CASE-HUB PBA; RJ100F5HXEA,ABS,T2.5,GRAY	SA	1
18-4	3		DB93-12025A	ASSY PCB SUB-HUB; SUB,FJM2,60*65,220V,5V_	SA	1
18-5	3		DB61-04504B	CASE-INV; RC100ZHXA,ABS,235.5,247.3,NTR,	SA	1
18-6	3	A2876	DB91-00306A	ASSY-SCREW MACHINE; BLDC INV. CONTROLLER,	SA	2
18-7	3	A2876	DB91-00307A	ASSY-SCREW MACHINE; WW-INV,M4*16,WSP,PH,+	SA	2
18-8	3		DB93-12258A	ASSY CONTROL OUT-SUB; HP,INV,10kW,R410a,R	SA	1
18-8-1	4		DB65-00182B	TERMINAL BLOCK; HOME DVM,DATB-S,2P,600V,3	SA	1
18-8-2	4		DB65-00309A	TERMINAL BLOCK; DAF-S6P,300V 20A	SNA	1
18-8-3	4		DB65-00304B	TERMINAL BLOCK; FJM2 SI, P,DAF-25A-4TP	SNA	1
18-8-4	4		DB65-00309B	TERMINAL BLOCK; DAF-S4P,300V 20A	SNA	1
18-8-5	4	A0626	DB93-01469E	ASSY CONNECTOR WIRE; 2,1015,20,WHT,ST7306	SA	1
18-8-6	4	A2934	DB93-10808C	ASSY CONNECTOR WIRE-COMM; 2,1015,22,RED,Y	SA	1
18-8-7	4		DB93-11914A	ASSY CONNECTOR WIRE-UB1 POWER JUMP; 4,101	SA	1
18-8-8	4		DB93-11914B	ASSY CONNECTOR WIRE-UB1 POWER JUMP; 4,101	SA	1
18-8-9	4		DB93-11914E	ASSY CONNECTOR WIRE-UB1 POWER JUMP; 4,101	SA	1
18-8-10	4		DB93-11914F	ASSY CONNECTOR WIRE-UB1 POWER JUMP; 1,101	SA	1
18-8-11	4		DB93-12145A	ASSY CONNECTOR WIRE-T B POWER TO EMI; 2,1	SA	1
18-9	3		DB93-11759A	ASSY CONNECTOR WIRE-UB1 SUB; 5,1007,26,WH	SA	1
18-10	3		0205-000178	GREASE-SILICON; YG6111,WHITE, for assembl	SA	0
18-11	3	A2573	DB93-11112D	ASSY PCB MAIN-INVERTER; INVERTER,RC100PHX	SA	1
18-11-1	4		DB93-11360B	ASSY PCB MANUAL; RC100DHXA,MANUAL,N	SNA	1
18-11-1-1	5	A0664	DB93-10870A	ASSY CONNECTOR WIRE-POWER; 2,1015,12,BRN,	SA	1

Exploded Views and Parts List

No.	Lvl.	Loc.	Material Code	Description & Specification	SNA	Qty.
18-11-1	2	T0083	DB26-00123A	TRANS SWITCHING; EE2218,RC100PHXEA,GLOBAL	SA	1
18-12	3	H0034	DB62-10902A	HEAT SINK; FJM,AL,10mm,200,200mm,COUNT-SI	SA	1
18-13	3	Z0158	DB93-10807A	ASSY CONNECTOR WIRE-MAIN TO INVERTER COM; ASSY CONNECTOR WIRE-MAIN TO INVERTER COM	SA	1