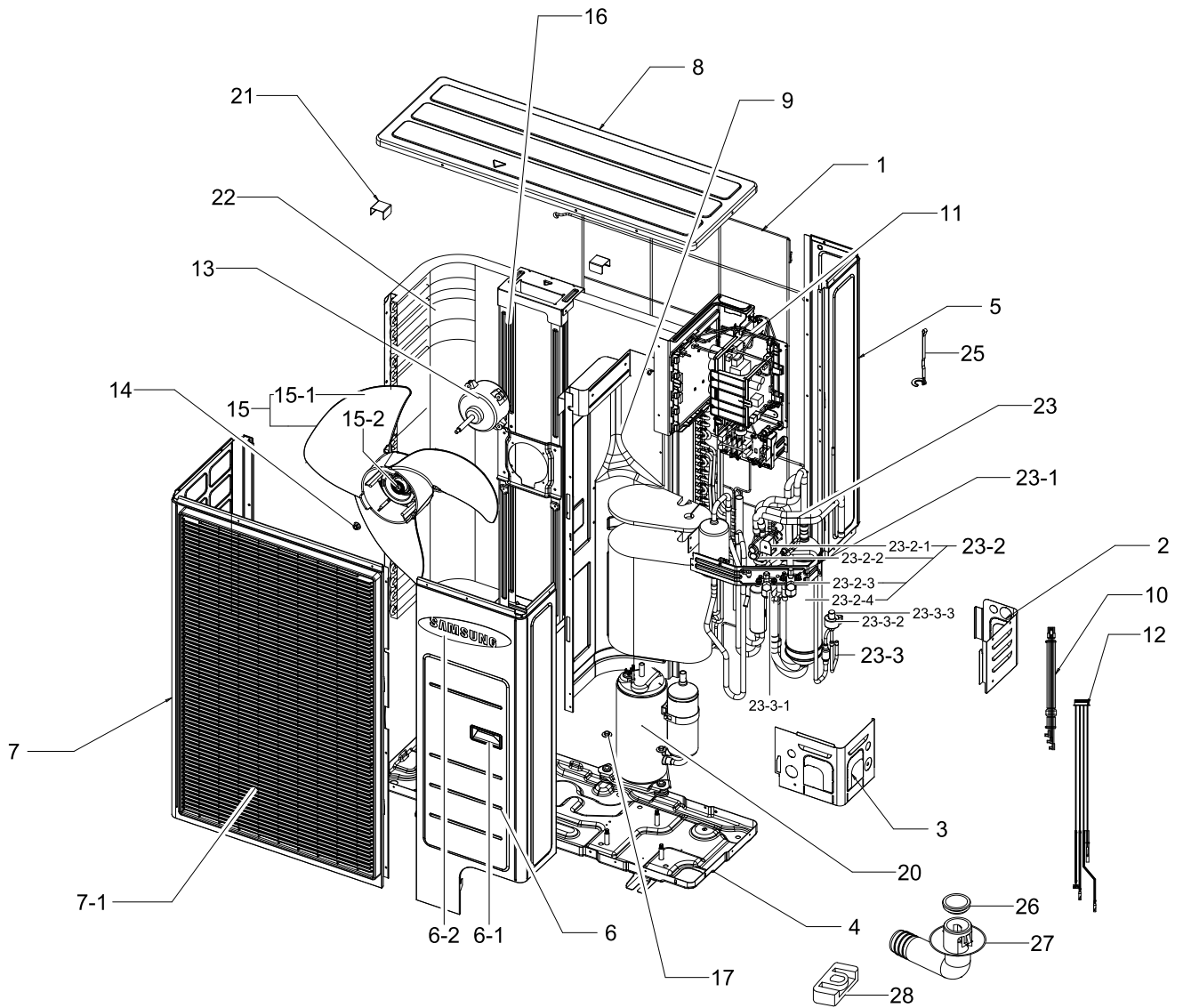


1. RC090DHXEA

Exploded View



Parts List

No.	Lvl.	Loc.	Material Code	Description & Specification	SNA	Qty.
1	2		DB63-02730C	GUARD COND; RC100ZHXE,MSWR-6B,744.5,854.	SA	1
2	2		DB64-02525C	CABINET-INSTALL BACK; RC160MHXE,SECC-0,0	SA	1
3	2		DB64-02526C	CABINET-INSTALL FRONT; RC100PHXE,EGI-SEC	SA	1
4	2	A0092	DB90-05873B	ASSY BASE OUT; MAN-U,SEAL-ADD	SA	1
5	2	A2609	DB90-05903C	ASSY CABI BACK-RH; RC100DHXGA,ManU	SA	1
6	2	A2608	DB90-05904D	ASSY CABI FRONT-RH; RC100DHXGA,ManU	SA	1

Exploded Views and Parts List

No.	Lvl.	Loc.	Material Code	Description & Specification	SNA	Qty.
6-1	3		DB64-02613B	HANDLE; RC140PHXEA,PP,T2.5,EARTH BROWN,HE	SA	1
6-2	3	L0084	DB98-08770L	ASSY-LOGO SAMSUNG; HP,PANTONE286C,270,QUE	SA	1
7	2	A2620	DB90-05971C	ASSY CABI FRONT-LF; RC100DHXGA,ManU	SA	1
7-1	3		DB63-02728B	GUARD-FAN; RC140PHXEA,PP,GY0180(EARTH BRO	SA	1
8	2	A0212	DB90-05902E	ASSY CABINET-TOP; RC090MHXEA,EHS MONO	SA	1
9	2	A1748	DB94-02720C	ASSY PARTITION; RC100DHXB1,GLOBAL 4WAY	SA	1
10	2	A0630	DB93-08235E	ASSY CONNECTOR WIRE-COMP; RC100DHXEA, UB1	SA	1
11	2	A3096	DB93-11292G	ASSY CONTROL OUT; HP,INV,9~10kW,220V,R410	SNA	1
12	2		DB95-04871A	ASSY THERMISTOR OUT-SUB OUT; DVM MINI,MAI	SA	1
13	2	M0039	DB31-00579A	MOTOR FAN; DAO335130ZRC/SEC,130W,900RPM,D	SA	1
14	2		DB60-00405A	FASTENER-WASHER; RC100ZHXE,SWRCH10A,M8,2	SA	1
15	2		DB94-03277B	ASSY FAN-PROPELLER; MAN-U,520 PI, NATURAL	SA	1
15-1	3	F0010	DB67-01061B	FAN-PROPELLER; MAN-U,PP+MICA+GF,520PI,3,N	SA	1
15-2	3		DB94-02525A	ASSY FAN-BOSS; MAN-U,RUBBER BOSS	SNA	1
16	2	A2803	DB90-05918B	ASSY BRACKET MOTOR; RC100DHXEA,R410A	SA	1
17	2	S0018	DB60-30028A	NUT-FLANGE; HWH,M8,ZPC(WHT),SWRCH18A,P1.2	SA	3
20	2		UG8T300FUBJUSG	RCP,48,F,R410A; RCP,48,F,R410A		1
21	2		DB90-02316E	ASSY HOLDER-PLATE COND; RC100PHXEA,ManU	SNA	2
22	2	A0590	DB96-15469A	ASSY COND OUT; RC100DHXEA,INV	SA	1
23	2		DB96-15476C	ASSY-VALVE; HP,INV,10KW,220V,R410A,ROTARY	SNA	1
23-1	3		DB90-05874C	ASSY BRACKET-VALVE; RC100DHXEA,T1.2, UB	SA	1
23-2	3	A0416	DB96-14880B	ASSY-VALVE 4WAY; RC100DHXEA,R410A	SA	1
23-2-1	4	S0247	DB33-00002J	SOLENOID-COIL ASSY; RC100PHXEA,220~240,50	SA	1
23-2-2	4	V0010	DB62-02838A	VALVE-4WAY; UH105GZMC,-,-,-,ssec	SA	1
23-2-3	4	Z0161	DB62-09658A	VALVE SERVICE; 5/8",C3771,K-Type,4.2MPa,R	SA	1
23-2-4	4	A0316	DB96-14716A	ASSY-ACCUMULATOR; RC100PHXEA,1600CC	SA	1
23-3	3		DB96-14885A	ASSY-TUBE EEV; 450 COMP,RC100DHXEA,R410A	SA	1

No.	Lvl.	Loc.	Material Code	Description & Specification	SNA	Qty.
23-3-1	4	Z0163	DB62-09654A	VALVE SERVICE; 3/8",C3771,K-Type,4.2MPa,R	SA	1
23-3-2	4	V0001	DB62-04067A	VALVE-EXPANSION COIL; QA(Q)12-SXK-04-RK(E)	SA	1
23-3-3	4	V0001	DB62-04267A	VALVE-EXPANSION BODY; DPF(Q)1.8C-17-RK(E)	SA	1
25	2	S0242	DB81-00635A	SPRING ETC-SENSOR; DVM-SYSTEM,STS304,R2.5	SA	2
26	3	Z0165	DB63-10355C	CAP-DRAIN; -,CR,T2,-,-,-,BLK,ASH-1814ER	SA	3
27	3	D0116	DB67-00806A	DRAIN-PLUG OUT; UH140GAV,PE,1,WHITE,INVER	SA	1
28	3	Z0166	DB73-20134A	RUBBER-LEG; NBR,BLACK	SA	4