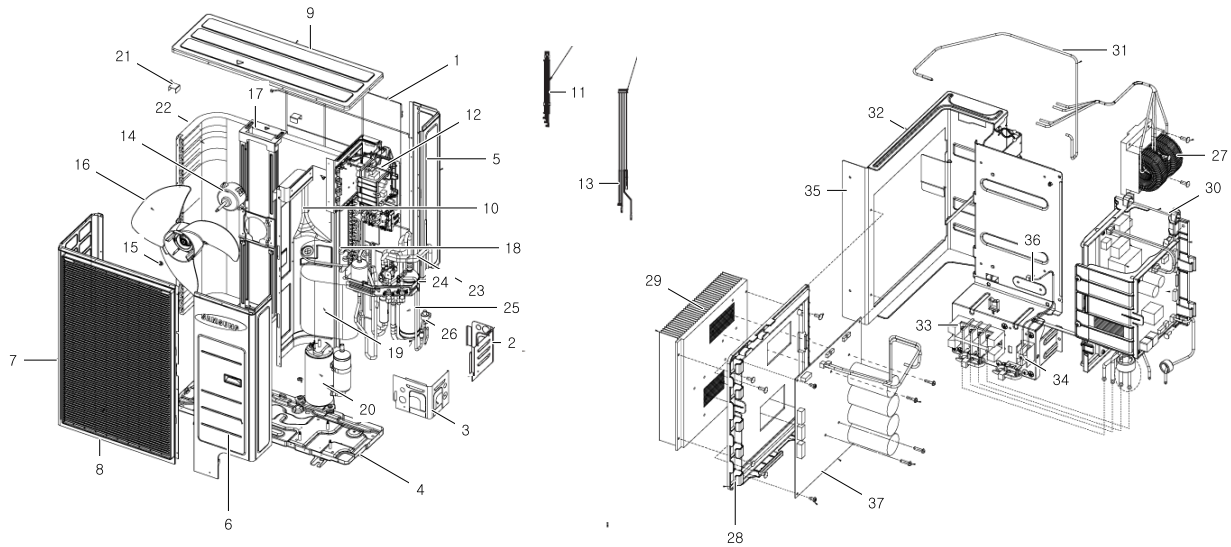


1. Title

Exploded View



Parts List

No.	Parent	Lvl.	Loc.	Material Code	Description & Specification	SNA	Qty.
1	DB90-06287A	2		DB63-02730A	GUARD COND; RC100DHXEA,MSWR-6B, TOUCH GRAY	SA	1
2	DB90-06287A	2	Z0148	DB64-02525A	CABINET-INSTALL BACK; RC100ZHXE,EGI,T0.7	SA	1
3	DB90-06287A	2	Z0149	DB64-02526A	CABINET-INSTALL FRONT; RC100ZHXE,EGI,T0.	SA	1
4	DB90-06287A	2	A0092	DB90-05873A	ASSY BASE OUT; RC100PHXE,ManU	SA	1
5	DB90-06287A	2	A2609	DB90-05903A	ASSY CABI BACK-RH; RC100DHXE,ManU	SA	1
6	DB90-06287A	2	A0173	DB90-05904A	ASSY CABI FRONT RH; RC100DHXE,ManU	SA	1
7	DB90-06287A	2	A2620	DB90-05971A	ASSY CABI FRONT-LF; RC100DHXE,ManU	SA	1
8	DB90-05971A	3	G0153	DB63-02743A	GUARD FAN; RC100ZHXE,PP,T2.5,580.0,925.8	SA	1
9	DB90-06287A	2	A0212	DB90-05902A	ASSY CABINET-TOP; RC100PHXE,ManU	SA	1
10	DB90-06287A	2	A1748	DB94-02720B	ASSY PARTITION; RC100DHXB1,Global 4way	SNA	1
11	DB93-11690A	2	A0630	DB93-08235E	ASSY CONNECTOR WIRE-COMP; RC100DHXE, UB1	SA	1
12	DB93-11690A	2	A3096	DB93-11292C	ASSY CONTROL OUT; HP,INV,10~14KW,220V,R41	SNA	1

Exploded Views and Parts List

No.	Parent	Lvl.	Loc.	Material Code	Description & Specification	SNA	Qty.
13	DB93-11690A	2		DB95-04522A	ASSY THERMISTOR OUT-MANU; RC140RHXE A	SA	1
14	DB94-03102A	2	M0039	DB31-00579A	MOTOR FAN; DAO335130ZRC/SEC,130W,900RPM,D	SA	1
15	DB94-03102A	2		DB60-00405A	FASTENER-WASHER; RC100ZHXE A,MSWR,M8,17.0,	SNA	1
16	DB94-03102A	2	F0010	DB67-01061A	FAN-PROPELLER; MAN-U,PP+MICA+GF,520PI,3,N	SA	1
17	DB94-03102A	2	A2803	DB90-05918B	ASSY BRACKET MOTOR; RC100DHXE A,R410A	SA	1
18	DB96-15476C	3		DB90-05874B	ASSY BRACKET-VALVE; RC100PHXE A,ManU	SNA	1
19	DB95-04714A	2		DB63-02954A	CLOTH-COMP SIDE; GLOBAL 4WAY,FELT,6.5,340	SNA	1
20	DB95-04714A	2		UG8T300FUBJUSG	RCP,48,F,R410A; RCP,48,F,R410A		1
21	DB96-15339A	2		DB90-02316E	ASSY HOLDER-PLATE COND; RC100PHXE A,ManU	SNA	2
22	DB96-15339A	2	A0590	DB96-15469A	ASSY COND OUT; RC100DHXE A,INV	SA	1
23	DB96-15338A	2		DB96-15476C	ASSY-VALVE; HP,INV,10KW,220V,R410A,ROTARY	SNA	1
24	DB96-15476C	3		DB90-05874B	ASSY BRACKET-VALVE; RC100PHXE A,ManU	SNA	1
25	DB96-14880B	4	V0010	DB62-02838A	VALVE-4WAY; UH105GZMC,-,-,-,ssec	SA	1
26	DB96-15476C	3		DB96-14885A	ASSY-TUBE EEV; 450 COMP,RC100DHXE A,R410A	SA	1
27	DB93-11292C	3	Z0157	DB59-00016A	AC REACTOR-1PHASE 30A; RC100PHXE A	SA	1
28	DB93-11292C	3		DB61-04504B	CASE-INV; RC100ZHXE A,ABS,2.0,235.5,120,SC	SNA	1
29	DB93-11292C	3	Z0153	DB62-09441A	HEAT SINK-1PHASE 30A; AL,10mm,187mm,200mm	SA	1
30	DB93-11292C	3		DB90-06115A	ASSY CASE-PCB; RC100PHXE A,INV	SNA	1
31	DB93-11292C	3	Z0158	DB93-10807A	ASSY CONNECTOR WIRE-MAIN TO INVERTER COM; ASSY CONNECTOR WIRE-MAIN TO INVERTER COM	SA	1
32	DB93-11292C	3	Z0155	DB93-10966A	ASSY CONTROL OUT-PLATE; HP,INV,10KW,220V,	SA	1
33	DB93-10966A	4		DB65-00296A	TERMINAL BLOCK-POWER 4P; RC140DHXE A,PC,4-	SNA	1
34	DB93-10966A	4		DB65-00297A	TERMINAL BLOCK-COMM 2P; RC140DHXE A,PC,2-T	SNA	1
35	DB93-10966A	4		DB90-05889A	ASSY CASE CONTROL OUT; RC100PHXE A,ManU	SNA	1
36	DB93-10966A	4	A2934	DB93-10808A	ASSY CONNECTOR WIRE-COMM; RC140RHXE A	SA	1
37	DB93-11292C	3	A2573	DB93-11112A	ASSY PCB MAIN-INVERTER; RC100DHXE A, RC100	SA	1

